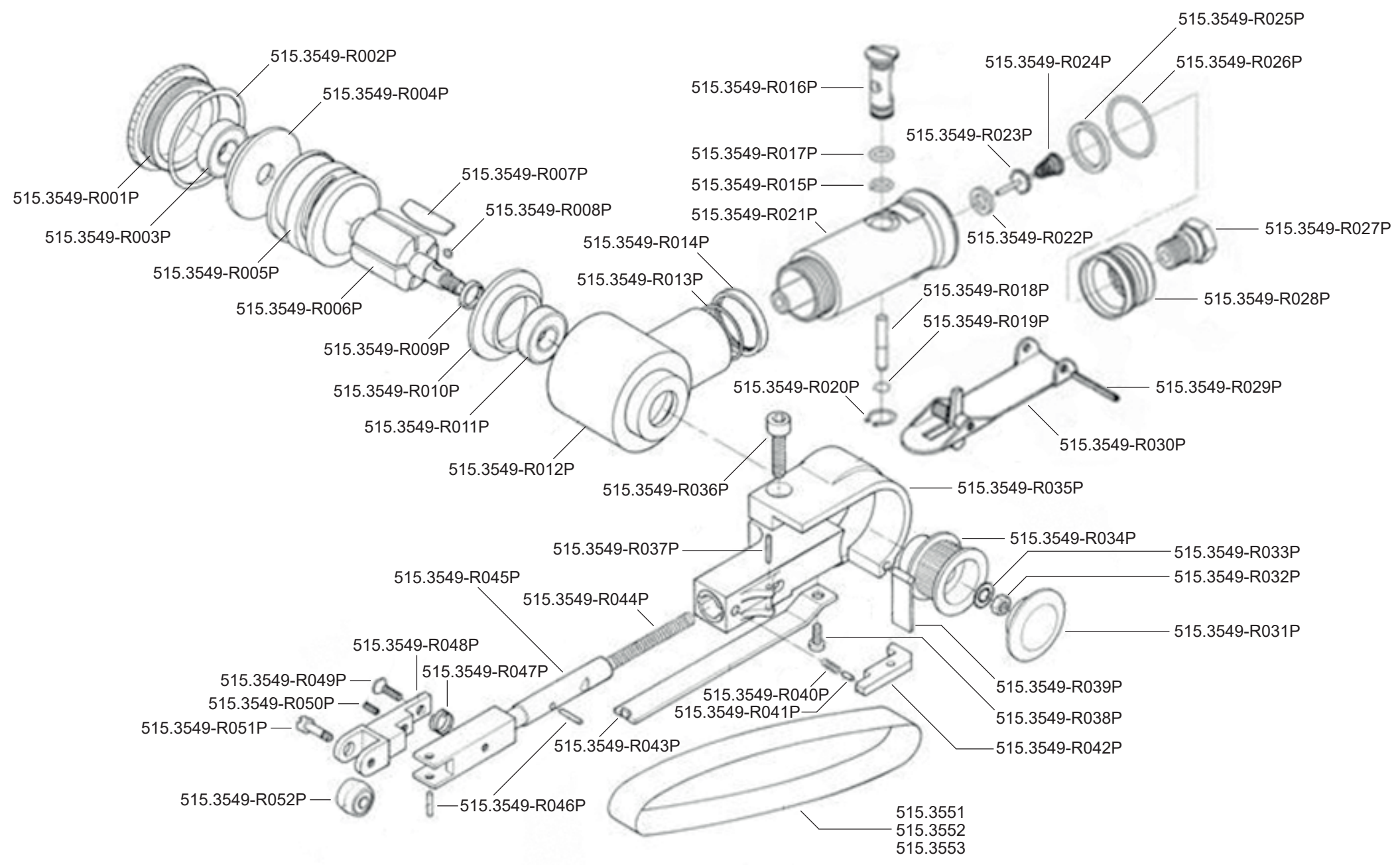


Art. 515.3549



Art. 515.3549

Art.-Nr.	Description	Beschreibung	Menge Qty.
515.3549-R001P	Motor nut	Motorverschraubung	1
515.3549-R002P	O-Ring for motor nut	O-Ring für Motoverschraubung	1
515.3549-R003P	Bearing	Kugellager	1
515.3549-R004P	Rear rotor plate	Hintere Rotorplatte	1
515.3549-R005P	Cylinder	Zylinder	1
515.3549-R006P	Rotor	Rotor	1
515.3549-R007P	Rotor blade	Rotorblatt	5
515.3549-R008P	Sunk key	Einlegekeil	1
515.3549-R009P	Spacer ring	Abstandsring	1
515.3549-R010P	Front rotor plate	Vordere Rotorplatte	1
515.3549-R011P	Bearing	Kugellager	1
515.3549-R012P	Housing	Gehäuse	1
515.3549-R013P	O-Ring for housing	Gehäuse O-Ring	1
515.3549-R014P	Counter nut	Konerring	1
515.3549-R015P	Valve O-Ring	Ventil O-Ring	1
515.3549-R016P	Air regulator	Luftregulierung	1
515.3549-R017P	O-Ring	O-Ring	1
515.3549-R018P	Valve stem	Ventilstift	1
515.3549-R019P	O-Ring for valve stem	O-Ring für Ventilstift	1
515.3549-R020P	Circlip	Sprengring	1
515.3549-R021P	Valve housing	Ventilgehäuse	1
515.3549-R022P	Seal	Dichtungsring	1
515.3549-R023P	Valve stem for air inlet	Ventilstift für Lufteinlass	1
515.3549-R024P	Valve spring	Ventilfeder	1
515.3549-R025P	Silencer	Dämpfer	1
515.3549-R026P	O-Ring for air inlet	O-Ring für Lufteinlass	1
515.3549-R027P	Air inlet	Lufteinlass	1

Art.-Nr.	Description	Beschreibung	Menge Qty.
515.3549-R028P	Exhaust controller	Abluffführung	1
515.3549-R029P	Spring pin for lever	Splint für Betätigungshebel	1
515.3549-R030P	Lever	Betätigungshebel	1
515.3549-R031P	End cap	Abschlusskappe	1
515.3549-R032P	Nut M6	Mutter M6	1
515.3549-R033P	Washer	Unterlegscheibe	1
515.3549-R034P	Drive pulley	Antriebsscheibe	1
515.3549-R035P	Grinding belt guard	Schleifbandschutz	1
515.3549-R036P	Inner hexagon head bolt	Innensechskantschraube	1
515.3549-R037P	Spring pin for tension bar	Splint für Rückhaltehebel	1
515.3549-R038P	Screw for grinding belt guiding	Schraube für Schleifbandführung	1
515.3549-R039P	Dust cover	Staubschutz	1
515.3549-R040P	Spring for tension bar	Feder für Rückhaltehebel	1
515.3549-R041P	Pin for tension bar	Pin für Rückhaltehebel	1
515.3549-R042P	Tension bar	Rückhaltehebel	1
515.3549-R043P	Grinding belt guiding	Schleifbandführung	1
515.3549-R044P	Grinding belt tension spring	Schleifbandspannungsfeder	1
515.3549-R045P	Tension belt bar	Riemenspanner-Stab	1
515.3549-R046P	Spring pin	Splint	2
515.3549-R047P	Spring	Feder	1
515.3549-R048P	Bracket for belt wheel	Halter für Riemenrolle	1
515.3549-R049P	Screw for bracket	Schraube für Halter	1
515.3549-R050P	Set screw	Stellschraube	1
515.3549-R051P	Idle pulley shaft	Welle für Riemenrolle	1
515.3549-R052P	Idle pulley	Riemenrolle	1