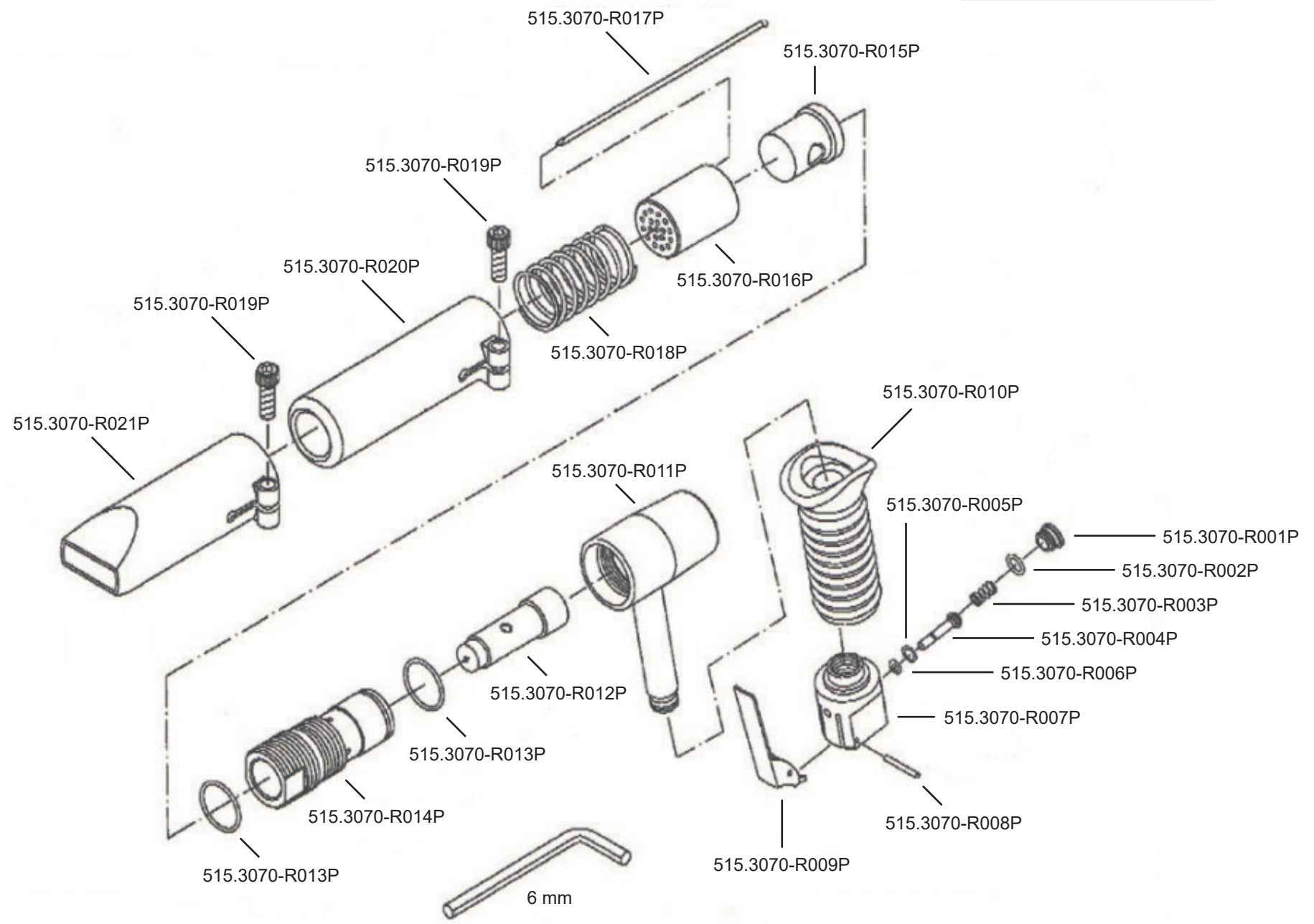


Art. 515.3070



Art. 515.3070

Art.-Nr.	Description	Beschreibung	Menge Qty.
515.3070-R001P	Plug	Abschlussstopfen	1
515.3070-R002P	O-Ring	O-Ring	1
515.3070-R003P	Valve spring	Ventilfeder	1
515.3070-R004P	Valve stem	Ventilstift	1
515.3070-R005P	O-Ring for Valve	O-Ring für Ventil	1
515.3070-R006P	O-Ring	O-Ring	1
515.3070-R007P	Valve housing	Ventilgehäuse	1
515.3070-R008P	Spring pin	Splint	1
515.3070-R009P	Trigger	Abzug	1
515.3070-R010P	Rubber grip	Griffgummierung	1
515.3070-R011P	Housing	Gehäuse	1

Art.-Nr.	Description	Beschreibung	Menge Qty.
515.3070-R012P	Piston	Kolben	1
515.3070-R013P	O-Ring	O-Ring	2
515.3070-R014P	Cylinder	Zylinder	1
515.3070-R015P	Anvil	Amboss	1
515.3070-R016P	Needle guiding	Nadelhalterung	1
515.3070-R017P	Needle	Nadel	19
515.3070-R018P	Compression spring	Kompressionsfeder	1
515.3070-R019P	Screw for housing tube	Schraube für Gehäuserohr	2
515.3070-R020P	Housing tube	Gehäuserohr	1
515.3070-R021P	Needle guideway	Nadelführung	1