



ETA-Danmark A/S
Göteborg Plads 1
DK-2150 Nordhavn
Tel. +45 72 24 59 00
Fax +45 72 24 59 04
Internet www.etadanmark.dk

Authorised and notified according
to Article 29 of the Regulation (EU)
No 305/2011 of the European
Parliament and of the Council of 9
March 2011

MEMBER OF EOTA



European Technical Assessment ETA-13/0026 of 24/04/2017

I General Part

Technical Assessment Body issuing the ETA and designated according to Article 29 of the Regulation (EU) No 305/2011: ETA-Danmark A/S

Trade name of the construction product:

BB Stanz- und Umformtechnik GmbH post bases

Product family to which the above construction product belongs:

Three-dimensional nailing plate (Post bases)

Manufacturer:

BB Stanz- und Umformtechnik
Nordhäuser Str. 44
D-06536 Berga
Tel. +49 34651 2988 0
Fax +49 34651 2988 20
Internet www.bb-berga.de

Manufacturing plant:

BB Stanz- und Umformtechnik

This European Technical Assessment contains:

59 pages including 2 annexes which form an integral part of the document

This European Technical Assessment is issued in accordance with Regulation (EU) No 305/2011, on the basis of:

Guideline for European Technical Approval (ETAG) No. 015 Three Dimensional Nailing Plates, April 2013, used as European Assessment Document (EAD).

This version replaces:

The ETA issued on 2013-02-01 and expiry on 2018-02-01

Translations of this European Technical Assessment in other languages shall fully correspond to the original issued document and should be identified as such.

Communication of this European Technical Assessment, including transmission by electronic means, shall be in full (excepted the confidential Annex(es) referred to above). However, partial reproduction may be made, with the written consent of the issuing Technical Assessment Body. Any partial reproduction has to be identified as such.

II SPECIFIC PART OF THE EUROPEAN TECHNICAL ASSESSMENT

1 Technical description of product and intended use

Technical description of the product

The BB Stanz- und Umformtechnik post bases are made from 2.5 mm to 8.0 mm thick steel plates in combination with steel tubes and rods. The post bases are produced of steel grade S235JR according to EN 10025-2:2005-04 with a minimum characteristic yield strength of $R_{eH} = 235 \text{ N/mm}^2$ and a minimum characteristic tensile strength of $R_m = 360 \text{ N/mm}^2$ and steel grade DD11 according to EN 10111-2:2008 with a minimum characteristic yield strength of $R_{eL} = 170 \text{ N/mm}^2$. The steel tubes are produced of steel grade S195T according to DIN EN 10255:2007 with a minimum characteristic yield strength of $R_{eH} = 195 \text{ N/mm}^2$ and a minimum characteristic tensile strength of $R_m = 320 \text{ N/mm}^2$. The steel rods are produced of steel grade S235JRC+C according to EN 10277-2:2008-06 with a minimum characteristic yield strength of $R_{p0.2} = 260 \text{ N/mm}^2$ and a minimum characteristic tensile strength of $R_m = 390 \text{ N/mm}^2$. The threaded rods correspond to property class 4.8 according to DIN EN ISO 898-1:2009-08.

For the connections with metal fasteners dowels $\phi 10 \text{ mm}$ (S235) or bolts $\phi 10 \text{ mm}$ (4.6) and screws $\phi 12 \times 120 \text{ mm}$, $\phi 10 \times 100 \text{ mm}$, $\phi 10 \times 80 \text{ mm}$; $\phi 10 \times 50 \text{ mm}$ or $\phi 6 \times 80 \text{ mm}$ according to EN 14592 (DIN 571 and thread according to DIN 7998) with a minimum characteristic tensile strength of $R_m = 360 \text{ N/mm}^2$ or according to an ETA are used. The screws shall be driven into pre-drilled holes according to EN 1995-1-1, 10.4.5 or respectively according to the ETA of the screws.

Dimensions are shown in Annex A and B.

2 Specification of the intended use in accordance with the applicable EAD

The intended use of the post bases is the support of timber columns and posts as load-bearing elements, where requirements for mechanical resistance and stability and safety in use in the sense of the Basic Works Requirements 1 and 4 of Regulation (EU) 305/2011 shall be fulfilled.

The static and kinematical behaviour of the timber members or the supports shall be as described in Annex B.

The timber posts may be of solid timber of strength class C24 or better according to EN 338:2016 or of glued laminated timber according to EN 14080:2013.

Minimum dimensions for the post have to be considered (Annex A).

The post base shall be installed as pictured in the drawings. The cross-section of the timber column shall be positioned centrally and with the end grain plane on the base plate. The end grain of the timber post must in general be plane on the base plate of the post base. Post bases types H have a distance between the end grain of the timber post and the base plate of the post base up to 10 mm due to constructive wood preservation.

The maximum distance between the foundation and the base plate of the post base is given in Annex A, table A.1.

Annex B states the load-carrying capacities of the post bases for solid timber of strength class C24 according to EN 338:2016. The design of the connections shall be in accordance with Eurocode 3 and Eurocode 5 or a similar national code. The anchorage of the post base in the foundation and imperfections exceeding the assumptions in Eurocode 5, 5.4.4 are not part of this ETA.

The post bases are for use in timber structures subject to the service classes 1, 2 and 3 of Eurocode 5 and for connections subject to static or quasi-static loading. In service class 1 and 2 the corrosion protection is given by hot-dip zinc coating Z275 according to EN 10147 or zinc coating according to EN1461 with a minimum thickness of 8 μm . In service class 3 the corrosion protection is given by hot-dip zinc coating Z350 according to EN 10147 or zinc coating according to EN1461 with a minimum thickness of 55 μm .

The metal fasteners must also have a zinc coating according to EN ISO 2081 corresponding to the relevant service class 1, 2 or 3 of EN 1995-1-1. Galvanic zinc coating of the post bases is only suitable for service classes 1 and 2.

The scope of the hangers regarding resistance to corrosion shall be defined according to national provisions that apply at the installation site considering environmental conditions.

The provisions made in this European Technical Assessment are based on an assumed intended working life of the post bases of 50 years.

The indications given on the working life cannot be interpreted as a guarantee given by the producer or Assessment Body, but are to be regarded only as a means for choosing the right products in relation to the expected economically reasonable working life of the works.

3 Performance of the product and references to the methods used for its assessment

Characteristic	Assessment of characteristic
3.1 Mechanical resistance and stability*) (BWR1)	
Characteristic load-carrying capacity	See Annex B
Stiffness	No performance determined
Ductility in cyclic testing	No performance determined
3.2 Safety in case of fire (BWR2)	
Reaction to fire	The post bases are made from steel classified as Euroclass A1 in accordance with EN 13501-1 and Commission Delegated Regulation 2016/364
3.3 Hygiene, health and the environment (BWR3)	
Influence on air quality	The product does not contain/release dangerous substances specified in TR 034, dated March 2012 0**)
3.7 Sustainable use of natural resources (BWR7)	
	No Performance Determined
3.8 General aspects related to the performance of the product	
	The post bases have been assessed as having satisfactory durability and serviceability when used in timber structures using the timber species described in Eurocode 5 and subject to the conditions defined by service class 1, 2 and 3
Identification	See Annex A

*) See additional information in section 3.9 – 3.11.

**) In addition to the specific clauses relating to dangerous substances contained in this European technical Assessment, there may be other requirements applicable to the products falling within its scope (e.g. transposed European legislation and national laws, regulations and administrative provisions). In order to meet the provisions of the Construction Products Regulation, these requirements need also to be complied with, when and where they apply.

3.9 Mechanical resistance and stability

Safety principles and partial factors

The characteristic load-carrying capacities are based on the characteristic values of the connections with metal fasteners, the steel components and the timber post.

In the case of timber failure or failure of the metal fasteners, the design values shall be calculated according to EN 1995-1-1 by dividing the characteristic values of the load-carrying capacities by different partial factors for the strength properties, and in addition multiplied with the coefficient k_{mod} .

In the case of steel failure, the design value shall be calculated according to EN 1993-1-1 by reducing the characteristic values of the load-carrying capacity with different partial factors.

The design value of the load-carrying capacity is the smaller value of all load-carrying capacities:

$$F_{Rd} = \min \left\{ \frac{k_{mod} \cdot F_{Rk,T}}{\gamma_{M,T}}; \frac{F_{Rk,S}}{\gamma_{Mi,S}} \right\}$$

Therefore, for timber failure or failure of the metal fasteners the load duration class and the service class are included. The different partial factors γ_M for steel or timber failure, respectively, are also correctly taken into account

Mechanical resistance and stability

See Annex B for the characteristic load-carrying capacity in the different directions F_1 to F_5 for solid timber of strength class C24 according to EN 338:2016. Using the load-carrying capacities of the post bases, the specifications in Annex A must be fulfilled.

The characteristic capacities of the post bases are determined by a combination of calculation according to Eurocode 3 and Eurocode 5 and testing. They should be used for designs in accordance with Eurocode 3 and Eurocode 5 or a similar national code.

No performance has been determined in relation to ductility of a joint under cyclic testing. The contribution to the performance of structures in seismic zones, therefore, has not been assessed.

No performance has been determined in relation to the joint's stiffness properties - to be used for the analysis of the serviceability limit state.

No performance has been determined in relation to the anchorage of the post bases in the foundation. It must be checked by the designer of the structure to ensure it

is not less than the post base capacity and, if necessary, the post base capacity reduced accordingly. Therefore the specifications for the lever arms $e_{F2/F3}$ (for load case F_2 / F_3) and $e_{F4/F5}$ (for load case F_4 / F_5) in annex A have to be considered. The lever arm is the distance between the top edge of the foundation and the load.

3.10 Aspects related to the performance of the product

2.7.1 Corrosion protection in service class 1 and 2.

In accordance with ETAG 015 the post bases are produced from steel grade S235JR according to EN 10025-2:2005-04 with a minimum characteristic yield strength of $R_{eH} = 235 \text{ N/mm}^2$ and a minimum characteristic tensile strength of $R_m = 360 \text{ N/mm}^2$ and steel grade DD11 according to EN 10111-2:2008 with a minimum characteristic yield strength of $R_{eL} = 170 \text{ N/mm}^2$. The steel tubes are produced of steel grade S195T according to DIN EN 10255:2007 with a minimum characteristic yield strength of $R_{eH} = 195 \text{ N/mm}^2$ and a minimum characteristic tensile strength of $R_m = 320 \text{ N/mm}^2$. The steel rods are produced of steel grade S235JRC+C according to EN 10277-2:2008-06 with a minimum characteristic yield strength of $R_{p0,2} = 260 \text{ N/mm}^2$ and a minimum characteristic tensile strength of $R_m = 390 \text{ N/mm}^2$. The threaded rods correspond to property class 4.8 according to DIN EN ISO 898-1:2009-08

The post bases are for use in timber structures subject to the service classes 1, 2 and 3 of Eurocode 5 and for connections subject to static or quasi-static loading. In service class 1 and 2 the corrosion protection is given by hot-dip zinc coating Z275 according to EN 10147 or zinc coating according to EN1461 with a minimum thickness of $8 \mu\text{m}$. In service class 3 the corrosion protection is given by hot-dip zinc coating Z350 according to EN 10147 or zinc coating according to EN1461 with a minimum thickness of $55 \mu\text{m}$.

The metal fasteners must also have a zinc coating according to EN ISO 2081 corresponding to the relevant service class 1, 2 or 3 of EN 1995-1-1.

3.11 General aspects related to the fitness for use of the product

The performances given in this ETA are based on the following:

- The timber post
 - shall be restrained against rotation, and supported at the lower and upper end
 - shall be strength class C24 or better according

to EN 338:2016

- shall be free from wane in the post base
 - must fulfil the requirements regarding minimum dimensions (see Annex A)
 - end grain must in general be plane on the base plate or spacer of the post base or at a maximum distance given in Annex A.
- The post base shall be installed centrally in the cross-section of the timber column.
 - The actual end bearing capacity of the timber member to be used in conjunction with the post base is checked by the designer of the structure to ensure it is not less than the post base capacity and, if necessary, the post base capacity reduced accordingly.
 - There are no specific requirements relating to preparation of the timber members.
 - The minimum insertion depth in the turnbuckles should be the diameter of the rod.
 - The base plates of the post bases with steel tubes as support must in general be plane on the tube's end.
 - The anchorage of the post base in the foundation is not part of this ETA. It must be checked by the designer of the structure to ensure it is not less than the post base capacity and, if necessary, the post base capacity reduced accordingly. Therefore, the specifications for the lever arms e_{F_2/F_3} (for load case F_2 / F_3) and e_{F_4/F_5} (for load case F_4 / F_5) in Annex A have to be considered. The lever arm is the distance between the top edge of the foundation and the load.

4 Attestation and verification of constancy of performance (AVCP)

4.1 AVCP system

According to the decision 97/638/EC of the European Commission¹, as amended, the system(s) of assessment and verification of constancy of performance (see Annex V to Regulation (EU) No 305/2011) is 2+.

5 Technical details necessary for the implementation of the AVCP system, as foreseen in the applicable EAD

Technical details necessary for the implementation of the AVCP system are laid down in the control plan deposited at ETA-Danmark prior to CE marking.

Issued in Copenhagen on 2017-04-24 by



Thomas Bruun
Managing Director, ETA-Danmark

Annex A
Product details and definitions

Table A.1 Specifications of the post bases

Post base		Metal Fasteners**		Post [mm]	Distances [mm]		
Type	Drawing number	Nails/Screws*	Dowels/Bolts	min b/h	max. a	e F2/F3	e F4/F5
A001	BB00 0003001 A	4 x F 12x120mm	-	140/140	110	110	110
A002	540 23 0001	2 x P 10x80mm	-	80 to 160 /140	163	-	-
		4 x P 6x80mm	-	80 to 160 /140	163	-	-
A003	540 23 0002	-	2 x D Ø10 or 2 x Bo Ø10	100/130	163	251	176
A004	541 23 0001	-	1 x Bo M10	120/120	163	-	263
H001	555 23 0000	4 x F 12x120mm	-	130/130	135 to 200	a	a
H002	555 23 0001	4 Nails 4x40mm	-	70 to 170 /116	139 to 204	-	-
H003	555 23 0002	4x F 12x120mm	1 x D Ø10 or 1 x Bo M10	130/130	135 to 200	a + 60	a
H004	555 23 0003	-	2 x D Ø10 or 2 x Bo Ø10	100/130	135 to 200	a + 13	a +100
H100	550 13 0004	4x F 12x120mm	-	130/130	140 to 205	a	a
BRN M20	BB00 0004001 A	4x F 10x100mm	-	120/120	40 to 146	a	a
ASH	BB00-0023-003	2 x F 10x50mm	-	71/71	10	103	70
	BB00-0023-004			81/81			
	BB00-0023-005			91/91			
	BB00-0023-006			101/101			
	BB00-0023-007			121/121			
	BB00-0023-008			141/141			
	BB00-0023-009			161/161			
BB00-0023-010	201/201						
ASH r	BB00-0023-011	2 x F 10x50mm	-	Ø80	10	113	60
	BB00-0023-012			Ø100			
	BB00-0023-013			Ø120			
	BB00-0023-014			Ø140			
ASH g	BB00-0049-001	4 x F 10x50mm	-	85/85	10	122	122
	BB00-0049-002	8 x F 10x50mm	-	105/105		139	139
ASH z	BB00-0045-001	2 x F 10x50mm	-	101/85	12	163	65
	BB00-0045-002			121/114	12	163	71
	BB00-0045-003			141/114	12	163	85
	BB00-0045-004			161/114	14	147	88
	BB00-0045-005			201/140	14	137	88

* P = partial thread; F = full thread

** The position of the fasteners shall always be at maximum distance to the end grain of the post.

Continuation of Table A.1 Specifications of the post bases

Post base		Metal Fasteners**		Post [mm]	Distances [mm]		
Type	Drawing number	Screws*	Dowels/Bolts	min b/h	max. a	e _{F2/F3}	e _{F4/F5}
PFTR S	525 32 0000	2 x F 10x50mm	-	71/112	58	130	58
	525 32 0001			81/112			
	525 32 0002			91/112			
	525 32 0003			101/112			
	525 32 0004			121/112			
	525 32 0005			141/112			
PFTR a	520 32 0000	4 x F 10x50mm	-	71/80	16	386	51
	520 32 0001			81/80			
	520 32 0002			91/80			
	520 32 0003			101/80			
	520 32 0004			121/80			
	520 32 0005			141/80			
PFTR 200 U	BB00-0048-001	2 x F 10x50mm	-	71/115	50	140	73
	BB00-0048-002			81/115			
	BB00-0048-003			91/115			
	BB00-0048-004			101/115			
	BB00-0048-005			121/115			
	BB00-0048-006			141/115			
PFTR 250 U	BB00-0048-007	2 x F 10x50mm	-	71/115	100	190	114
	BB00-0048-008			81/115			
	BB00-0048-009			91/115			
	BB00-0048-010			101/115			
	BB00-0048-011			121/115			
	BB00-0048-012			141/115			
PFTR hv	BB00-0035-009	2 x F 12x120mm	-	140/140	122 to 180	a	a
	BB00-0035-013			130/130			

* P = partial thread; F = full thread

** The position of the fasteners shall always be at maximum distance to the end grain of the post.

Table A.2 Specifications of the metal fasteners according to EN 14592

Fastener type	Size (mm)			Material	Finish
	Diameter	Length	Threaded length		
Dowels	10 mm			S235	Galvanic zinc coating
Bolts	10 mm			4.6	Galvanic zinc coating
Nails	4 mm	min 40 mm	-	$f_{u,k} \geq 600 \text{ N/mm}^2$	Galvanic zinc coating
Screws	6 mm	min 80 mm	min 48 mm	$f_{u,k} \geq 360 \text{ N/mm}^2$	Galvanic zinc coating
Screws	10 mm	min 50 mm	min 35 mm	$f_{u,k} \geq 360 \text{ N/mm}^2$	Galvanic zinc coating
Screws	10 mm	min 80 mm	min 48 mm	$f_{u,k} \geq 360 \text{ N/mm}^2$	Galvanic zinc coating
Screws	10 mm	min 100 mm	min 88 mm	$f_{u,k} \geq 360 \text{ N/mm}^2$	Galvanic zinc coating
Screws	12 mm	min 120 mm	min 105 mm	$f_{u,k} \geq 360 \text{ N/mm}^2$	Galvanic zinc coating

The load-carrying-capacities of the metal fasteners were calculated according to Eurocode 5 for lateral loads. The contribution to the load-carrying capacity due to the rope effect was considered according to Eurocode 5.

Annex B
Characteristic load-carrying capacities

Table B.1 Characteristic load-carrying capacities for post bases in kN

Post Base		F ₁ (Compression)			F ₁ (Tension)		F ₂ /F ₃		F ₄ /F ₅	
Type	Metal Fasteners	Timber	Steel		Timber	Steel	Timber	Steel	Timber	Steel
A001	4 x F 12x120 mm	100,0	100,0	87,8	18,7	8,5	12,0	3,0	12,0	3,0
		$\gamma_{M(T)}$	$\gamma_{M,o}$	$\gamma_{M,1}$	$\gamma_{M(C)}$	$\gamma_{M,o}$	$\gamma_{M(C)}$	$\gamma_{M,o}$	$\gamma_{M(C)}$	$\gamma_{M,o}$
A002	2 x P 10x80 mm	26,3	32,5	-	9,2	2,0	-	-	-	-
	4 x P 6x80 mm	26,3	32,5	-	9,2	2,0	-	-	-	-
		$\gamma_{M(T)}$	$\gamma_{M,o}$	-	$\gamma_{M(C)}$	$\gamma_{M,o}$	-	-	-	-
A003	2 x D Ø10 or 2 x Bo M10	100,7	-	87,8	25,1	7,3	13,1	0,9	2,5	1,7
		$\gamma_{M(T)}$	-	$\gamma_{M,1}$	$\gamma_{M(C)}$	$\gamma_{M,o}$	$\gamma_{M(T)}$	$\gamma_{M,o}$	$\gamma_{M(C)}$	$\gamma_{M,o}$
A004	1 x D Ø10	91,5	91,5	87,8	6,4	7,3	-	-	5,1	0,9
	1 x Bo M10	91,5	91,5	87,8	7,6	7,3	-	-	6,4	0,9
		$\gamma_{M(T)}$	$\gamma_{M,o}$	$\gamma_{M,1}$	$\gamma_{M(J)}$	$\gamma_{M,o}$	-	-	$\gamma_{M(C)}$	$\gamma_{M,o}$
H001	4 x F 12x120 mm	55,9	55,9	57,9	18,7	6,1	12,0	0,8	6,0	1,3
		$\gamma_{M(T)}$	$\gamma_{M,o}$	$\gamma_{M,1}$	$\gamma_{M(C)}$	$\gamma_{M,o}$	$\gamma_{M(C)}$	$\gamma_{M,o}$	$\gamma_{M(C)}$	$\gamma_{M,o}$
H002	4 x N 4x40mm	32,6	30,6	-	5,5	0,9	-	-	-	-
		$\gamma_{M(T)}$	$\gamma_{M,o}$	-	$\gamma_{M(C)}$	$\gamma_{M,o}$	-	-	-	-
H003	4 x F 12x120 mm	44,8	44,8	57,9	18,7	6,1	12,0	0,8	6,0	1,3
	1 x D Ø10	44,8	44,8	57,9	6,4	6,1	5,1	0,5	-	-
	1 x Bo M10	44,8	44,8	57,9	7,6	6,1	6,4	0,5	-	-
		$\gamma_{M(T)}$	$\gamma_{M,o}$	$\gamma_{M,1}$	$\gamma_{M(C)}$	$\gamma_{M,o}$	$\gamma_{M(C)}$	$\gamma_{M,o}$	-	-
H004	2 x D Ø10 or 2 x Bo M10	61,6	61,6	57,9	25,1	6,1	2,5	0,7	13,1	0,9
		$\gamma_{M(T)}$	$\gamma_{M,1}$	$\gamma_{M,1}$	$\gamma_{M(C)}$	$\gamma_{M,o}$	$\gamma_{M(T)}$	$\gamma_{M,o}$	$\gamma_{M(T)}$	$\gamma_{M,o}$
H100	4 x F 12x120 mm	55,9	55,9	57,3	18,7	6,1	12,0	0,8	12,0	1,3
		$\gamma_{M(T)}$	$\gamma_{M,o}$	$\gamma_{M,1}$	$\gamma_{M(C)}$	$\gamma_{M,o}$	$\gamma_{M(C)}$	$\gamma_{M,o}$	$\gamma_{M(C)}$	$\gamma_{M,o}$
BRN M20	4 x F 10x100 mm	84,5	-	64,2	14,8	10,0	9,5	1,7	9,5	1,7
		$\gamma_{M(T)}$	-	$\gamma_{M,1}$	$\gamma_{M(C)}$	$\gamma_{M,o}$	$\gamma_{M(C)}$	$\gamma_{M,o}$	$\gamma_{M(C)}$	$\gamma_{M,o}$

$\gamma_{M(T)}$ = partial factor for solid timber according to EN 1995-1-1 and national annex

$\gamma_{M(C)}$ = partial factor for connections according to EN 1995-1-1 and national annex

$\gamma_{M,o}$; $\gamma_{M,1}$ = partial factor according to EN 1993-1-1 and national annex

Continuation of Table B.1 Characteristic load-carrying capacities for post bases in kN

Post Base		F ₁ (Compression)		F ₁ (Tension)		F ₂ /F ₃		F ₄ /F ₅	
Type	Size	Timber	Steel	Timber	Steel	Timber	Steel	Timber	Steel
ASH	71	7,56	37,5	7,56	7,03	7,61	6,77	7,61	6,77
	81	7,56	37,5	7,56	8,81	10,1	10,3	10,1	10,3
	91	7,56	37,5	7,56	13,3	13,0	10,3	13,0	10,3
	101	7,56	37,5	7,56	13,3	15,5	10,3	15,5	10,3
	121	7,56	37,5	7,56	13,3	15,5	10,3	15,5	10,3
	141	7,56	37,5	7,56	13,3	15,5	10,3	15,5	10,3
	161	7,56	37,5	7,56	13,3	15,5	10,3	15,5	10,3
	201	7,56	37,5	7,56	13,3	18,7	12,5	18,7	12,5
			$\gamma_{M(C)}$	$\gamma_{M,2}$	$\gamma_{M(C)}$	$\gamma_{M,o}$	$\gamma_{M(C)}$	$\gamma_{M,o}$	$\gamma_{M(T)}$
ASH r	Ø 80	7,56	37,5	7,56	4,54	7,59	3,20	7,59	3,20
	Ø 100	7,56	37,5	7,56	6,40	12,3	5,64	12,3	5,64
	Ø 120	7,56	37,5	7,56	5,26	18,1	5,56	18,1	5,56
	Ø 140	7,56	37,5	7,56	6,29	24,9	7,78	24,9	7,78
			$\gamma_{M(C)}$	$\gamma_{M,2}$	$\gamma_{M(C)}$	$\gamma_{M,o}$	$\gamma_{M(T)}$	$\gamma_{M,o}$	$\gamma_{M(T)}$
ASH g	85	15,1	38,9	15,1	12,4	5,04	4,23	5,04	4,23
	105	22,8	59,0	22,8	10,0	10,1	4,74	10,1	4,74
			$\gamma_{M(C)}$	$\gamma_{M,2}$	$\gamma_{M(C)}$	$\gamma_{M,o}$	$\gamma_{M(C)}$	$\gamma_{M,o}$	$\gamma_{M(C)}$
ASH z	101	21,0	32,2	7,56	5,97	10,8	3,32	6,74	3,89
	121	29,4	45,0	7,56	6,93	10,8	4,61	7,01	3,73
	141	37,8	57,9	7,56	3,85	10,8	2,98	7,31	4,74
	161	50,4	77,2	7,32	18,6	17,3	16,4	11,3	8,69
	201	63,0	96,5	7,32	18,6	17,3	20,5	11,7	9,85
			$\gamma_{M(T)}$	$\gamma_{M,o}$	$\gamma_{M(C)}$	$\gamma_{M,o}$	$\gamma_{M(T)}$	$\gamma_{M,o}$	$\gamma_{M(T)}$
PFTR S	71	7,76	13,3	7,36	7,99	5,41	2,96	3,38	3,26
	81	7,76	13,3	7,36	6,74	5,41	2,71	3,38	3,26
	91	7,76	13,3	7,36	5,83	5,41	2,35	3,38	3,26
	101	7,76	13,3	7,36	5,13	5,41	2,07	3,38	3,26
	121	7,76	13,3	7,36	4,15	5,41	1,67	3,38	3,26
	141	7,76	13,3	7,36	3,48	5,41	1,40	3,38	3,26
			$\gamma_{M(C)}$	$\gamma_{M,o}$	$\gamma_{M(C)}$	$\gamma_{M,o}$	$\gamma_{M(C)}$	$\gamma_{M,o}$	$\gamma_{M(T)}$

$\gamma_{M(T)}$: partial factor for solid timber according to EN 1995-1-1 and national annex

$\gamma_{M(C)}$: partial factor for connections according to EN 1995-1-1 and national annex

$\gamma_{M,o}$; $\gamma_{M,1}$; $\gamma_{M,2}$: partial factor according to EN 1993-1-1 and national annex

Continuation of Table B.1 Characteristic load-carrying capacities for post bases in kN

Post Base		F ₁ (Compression)		F ₁ (Tension)		F ₂ /F ₃		F ₄ /F ₅	
Type	Size	Timber	Steel	Timber	Steel	Timber	Steel	Timber	Steel
PFTR a	71	14,6	51,4	7,32	82,9	4,88	6,32	3,55	7,10
	81	14,6	51,4	7,32	82,9	4,88	6,32	3,55	7,10
	91	14,6	51,4	7,32	82,9	4,88	6,32	3,55	7,10
	101	14,6	51,4	7,32	82,9	4,88	6,32	3,55	7,10
	121	14,6	51,4	7,32	82,9	4,88	6,32	3,55	7,10
	141	14,6	51,4	7,32	82,9	4,88	6,32	3,55	7,10
		$\gamma_{M(C)}$	$\gamma_{M,1}$	$\gamma_{M(C)}$	$\gamma_{M,2}$	$\gamma_{M(C)}$	$\gamma_{M,o}$	$\gamma_{M(T)}$	$\gamma_{M,o}$
PFTR 200 U	71	45,9	45,9	7,32	5,59	4,88	2,85	4,70	6,33
	81	45,9	45,9	7,32	4,57	4,88	2,85	4,70	6,33
	91	45,9	45,9	7,32	3,86	4,88	2,85	4,70	6,33
	101	45,9	45,9	7,32	3,35	4,88	2,85	4,70	6,33
	121	45,9	45,9	7,32	2,64	4,88	2,85	4,70	6,33
	141	45,9	45,9	7,32	2,18	4,88	2,85	4,70	6,33
		$\gamma_{M(T)}$	$\gamma_{M,o}$	$\gamma_{M(C)}$	$\gamma_{M,o}$	$\gamma_{M(C)}$	$\gamma_{M,o}$	$\gamma_{M(C)}$	$\gamma_{M,o}$
PFTR 250 U	71	45,9	45,9	7,32	5,59	4,88	2,18	4,56	4,04
	81	45,9	45,9	7,32	4,57	4,88	2,18	4,56	4,04
	91	45,9	45,9	7,32	3,86	4,88	2,18	4,56	4,04
	101	45,9	45,9	7,32	3,35	4,88	2,18	4,56	4,04
	121	45,9	45,9	7,32	2,64	4,88	2,18	4,56	4,04
	141	45,9	45,9	7,32	2,18	4,88	2,18	4,56	4,04
		$\gamma_{M(T)}$	$\gamma_{M,o}$	$\gamma_{M(C)}$	$\gamma_{M,o}$	$\gamma_{M(C)}$	$\gamma_{M,o}$	$\gamma_{M(C)}$	$\gamma_{M,o}$
PFTR hv	80	53,5	53,5	18,7	21,1	12,0	0,92	12,0	0,92
	100	53,5	53,5	18,7	7,53	12,0	0,92	12,0	0,92
		$\gamma_{M(T)}$	$\gamma_{M,o}$	$\gamma_{M(C)}$	$\gamma_{M,o}$	$\gamma_{M(C)}$	$\gamma_{M,o}$	$\gamma_{M(C)}$	$\gamma_{M,o}$

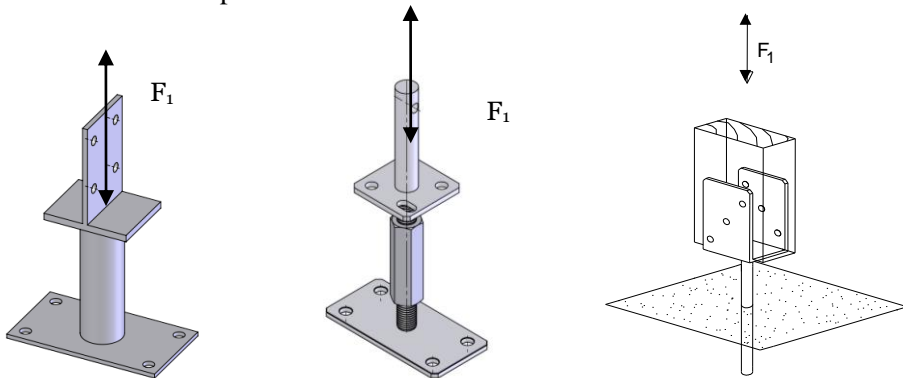
$\gamma_{M(T)}$: partial factor for solid timber according to EN 1995-1-1 and national annex

$\gamma_{M(C)}$: partial factor for connections according to EN 1995-1-1 and national annex

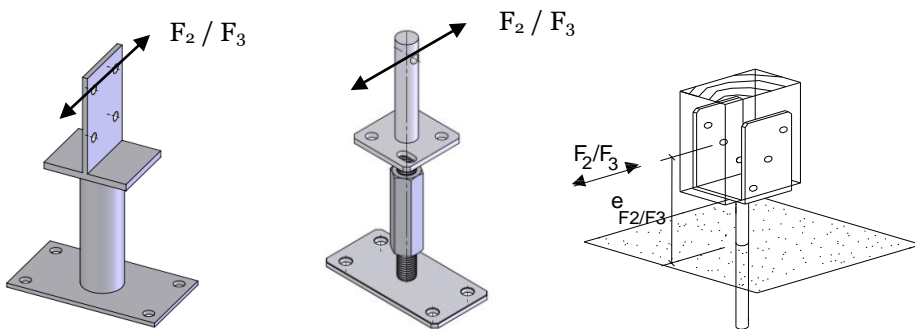
$\gamma_{M,o}$; $\gamma_{M,1}$; $\gamma_{M,2}$: partial factors according to EN 1993-1-1 and national annex

Definitions of forces, their directions and eccentricity

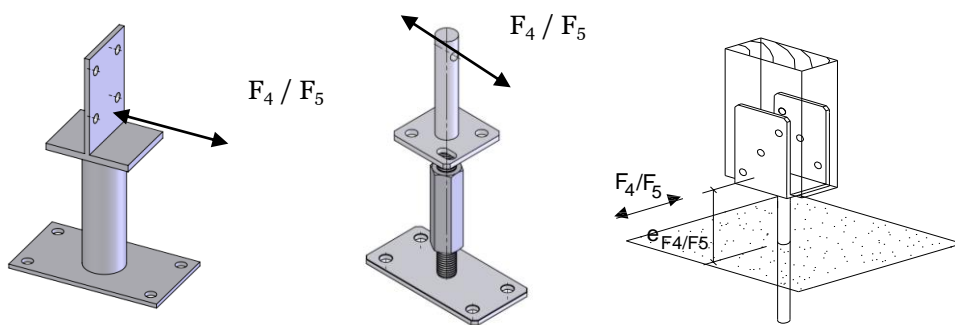
- Force F_1 : tensile or compression load



- Force F_2 / F_3 : horizontal parallel to the ground plate of the post base and perpendicular to the bolts or dowels



- Force F_4 / F_5 : horizontal load parallel to the ground plate of the post base and parallel to the bolts or dowels



Acting forces

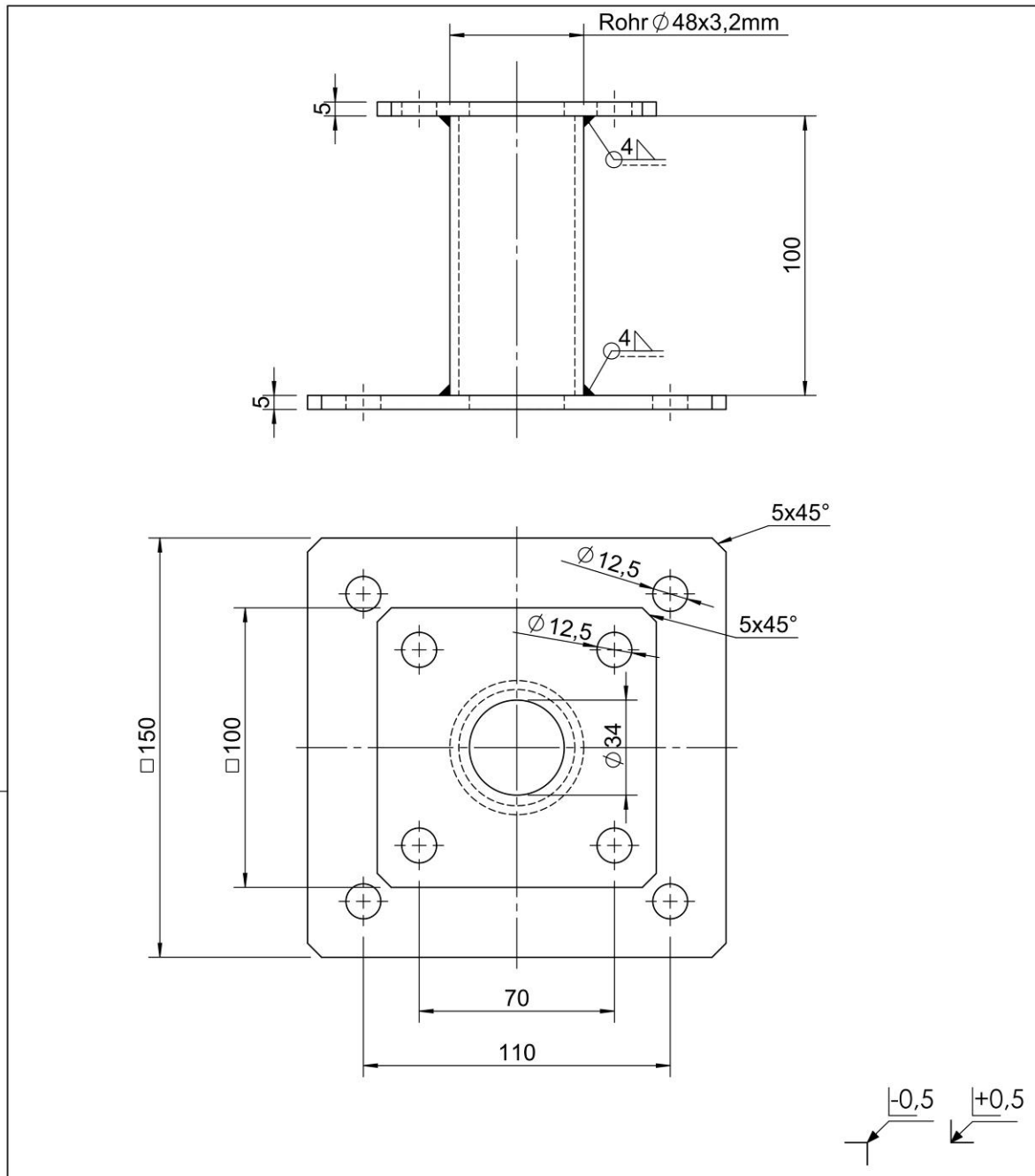
- F_1 axial force (tension or compression) acting along the central axis of the joint
- F_2 and F_3 horizontal force perpendicular to the ground plate of the post base acting with the lever arm $e_{F2/F3}$ above the foundation
- F_4 and F_5 horizontal force parallel to the ground plate of the post base acting with the lever arm $e_{F4/F5}$ above the foundation

Combined forces

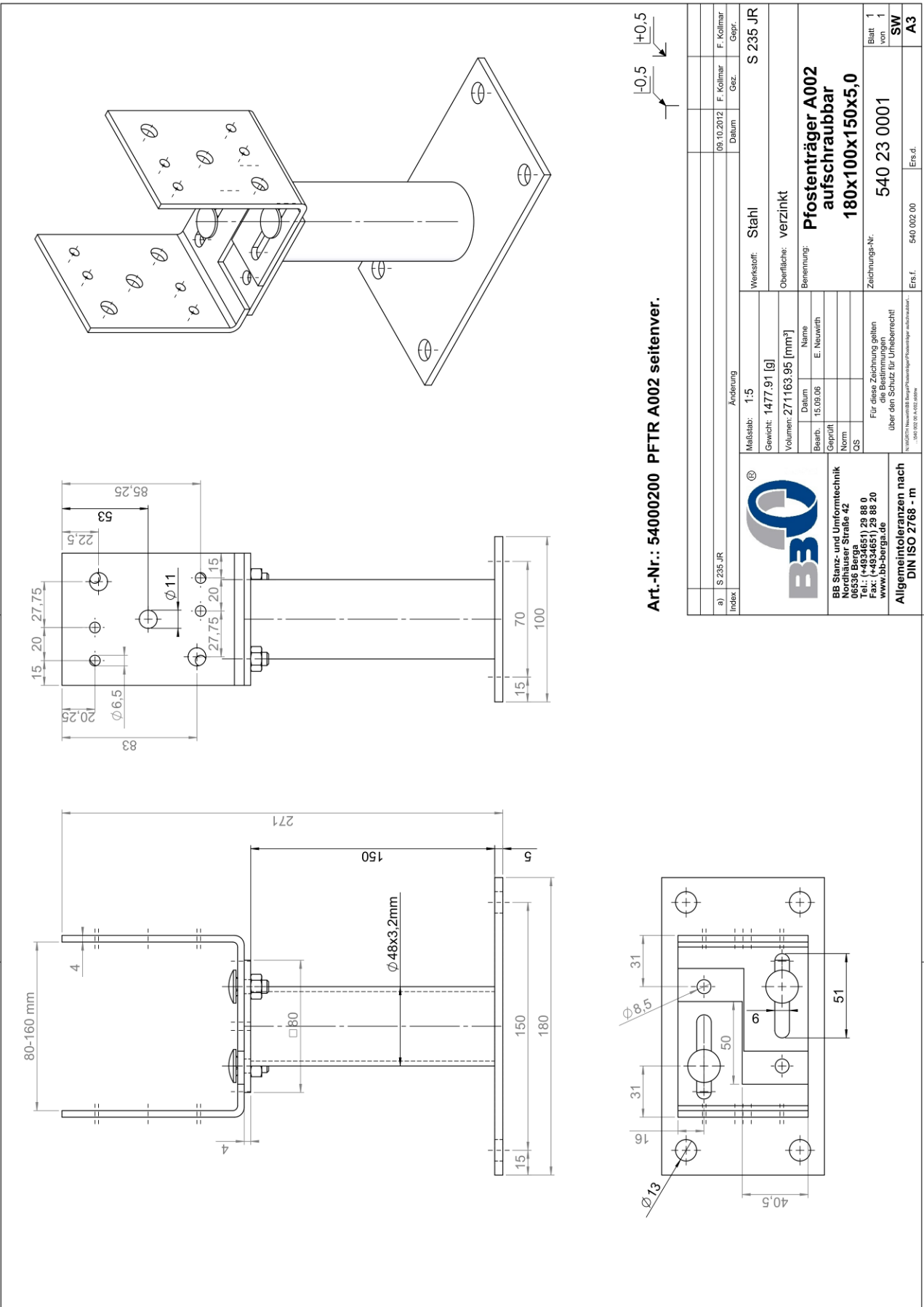
If the forces F_1 and F_2/F_3 or F_4/F_5 act at the same time, the following inequality shall be fulfilled:

$$\sum \frac{F_{i,Ed}}{F_{i,Rd}} \leq 1$$

The forces F_2 and F_3 or F_4 and F_5 are forces with opposite direction. Therefore only one force F_2 or F_3 , and F_4 or F_5 , respectively, is able to act simultaneously with F_1 .



Index	Änderung	Datum	Gez.	Gepr.									
	Maßstab: 1:2	Werkstoff: Stahl S 235 JR											
	Gewicht: 1519.30 [g]	Oberfläche: verzinkt											
	Volumen: 193049.93 [mm ³]	Benennung:											
	<table border="1"> <thead> <tr> <th>Datum</th> <th>Name</th> </tr> </thead> <tbody> <tr> <td>Bearb. 19.04.05</td> <td>F. Kollmar</td> </tr> <tr> <td>Geprüft</td> <td></td> </tr> <tr> <td>Norm</td> <td></td> </tr> <tr> <td>QS</td> <td></td> </tr> </tbody> </table>	Datum	Name	Bearb. 19.04.05	F. Kollmar	Geprüft		Norm		QS		PFTR A001 Platte Art.-Nr.: 54000100	
Datum	Name												
Bearb. 19.04.05	F. Kollmar												
Geprüft													
Norm													
QS													
BB Stanz- und Umformtechnik Nordhäuser Straße 42 06536 Berga Tel.: (+4934651) 29 88 0 Fax: (+4934651) 29 88 20 www.bb-berga.de	Für diese Zeichnung gelten die Bestimmungen über den Schutz für Urheberrecht! <small>N:\SolidWorks\AUFTRAGE Extern\BB Berga\Consolen\... ...Console 150x150x5_70x70x5_648x100.slddrw</small>	Zeichnungs-Nr. BB00 0003001 A	Blatt 1 von 1 SW A4										
Allgemeintoleranzen nach DIN ISO 2768 - m	Ers.f.	Ers.d.											



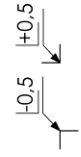
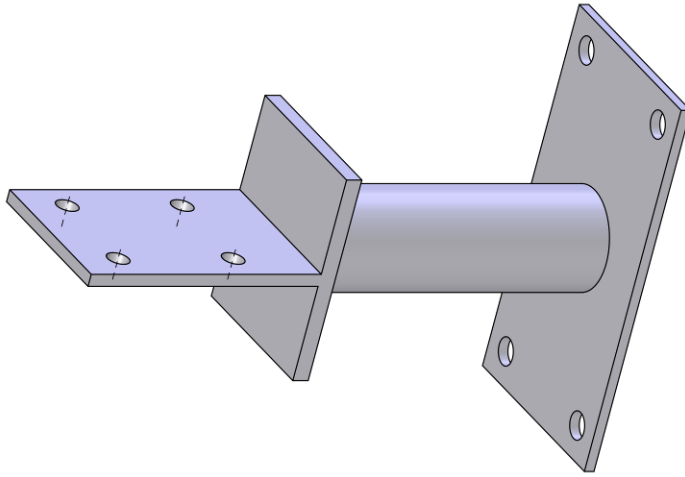
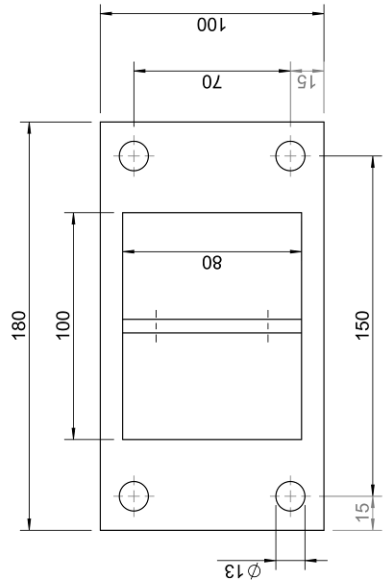
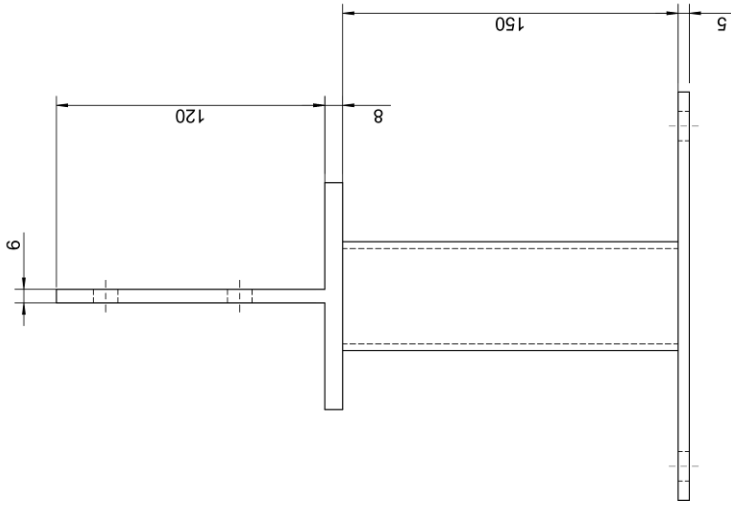
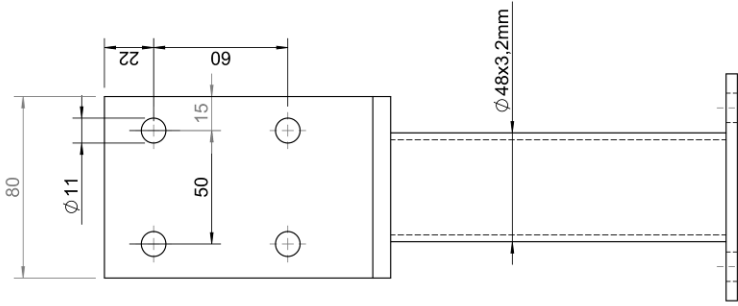
Art.-Nr.: 54000200 PFTR A002 seitenver.

a) S 235 JR	Änderung	Material: 1:5	Werkstoff: Stahl	S 235 JR
Index		Gewicht: 1477,91 [g]	Oberfläche: verzinkt	
		Volumen: 271163,95 [mm ³]	Benennung: Pfostenträger A002 aufschraubbar 180x100x150x5,0	
		Beerb. 15.09.06	Geprüft	
		Datum 15.09.06	Name E. Neuwirth	
		Norm	CS	
		Für diese Zeichnung gelten über den Schutz für Urheberrecht		
		Zeilung-Nr.: 540 23 0001		
		Blatt von 1		
		SW		
		A3		
		Ers. f. 540 002 00		
		Ers. d.		



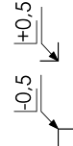
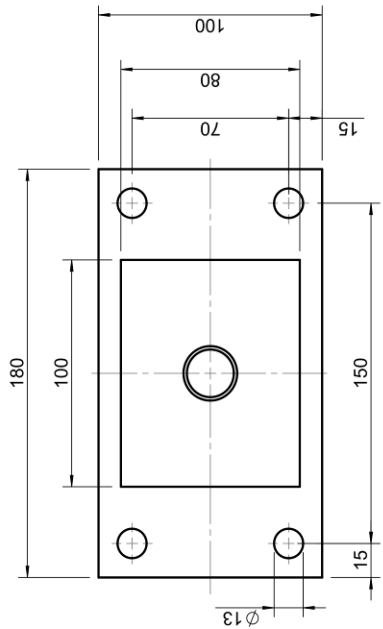
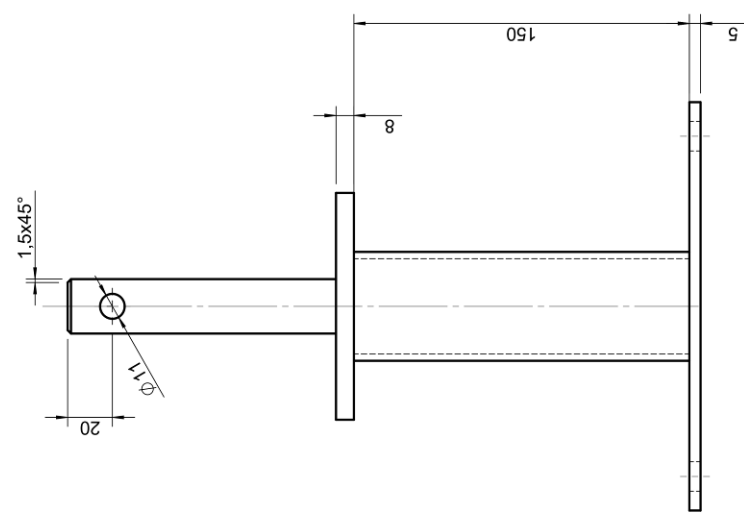
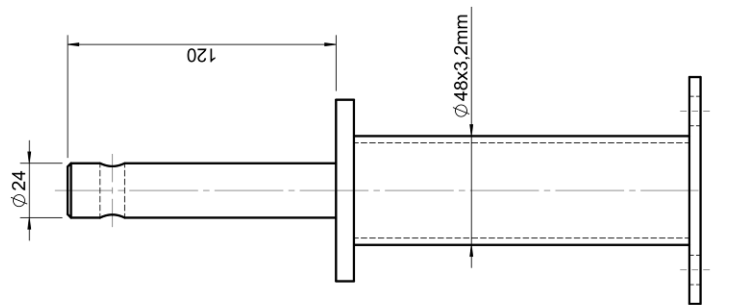
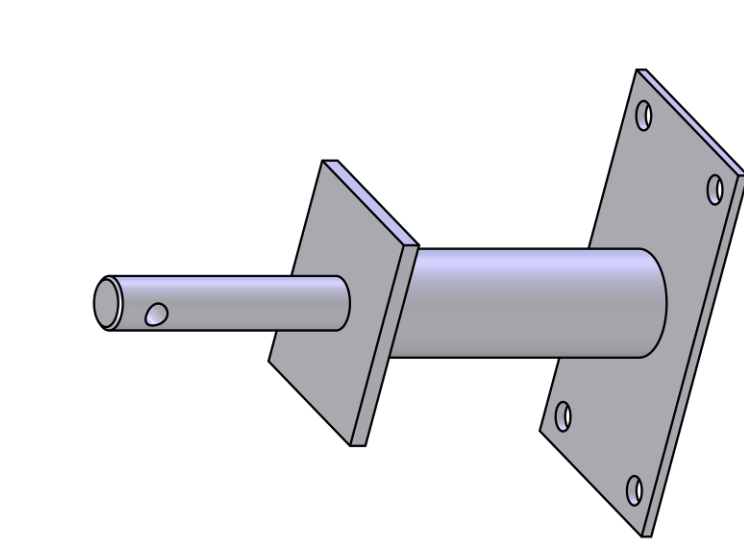
BB Stanz- und Umformtechnik
Nordhäuser Straße 42
06536 Berga
Tel.: (+49334651) 28 88 0
Fax: (+49334651) 28 88 20
www.bb-spruinge.de

Allgemeintoleranzen nach
DIN ISO 2768 - m



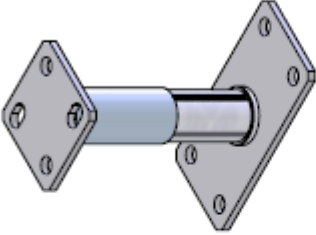
Art.-Nr.: 55000300 PFTR A003 Schwert

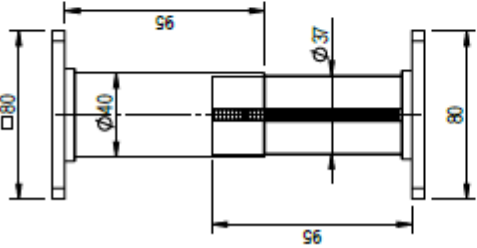
Index	Änderung	Material	Werkstoff	Material	Grp.
0) S 235 JR	1:2	S 235 JR	Stahl	S 235 JR	
Maststab: 1:2		F. Kollmar			
Gewicht: 2127.12 [g]		F. Kollmar			
Volumen: 270281.81 [mm³]		Datum			
Date: 12.06.06		Grz.			
Name		Oberfläche: verzinkt			
E. Neuwirth		Benennung:			
Geprüft		Pfostenträger A003 mit Schwert			
Norm		180x100x150x5,0			
GS		Zeichnungs-Nr.			
Für diese Zeichnung gelten über den Schutz für Urheberrecht		540 23 0002			
www.b3b-spruinge.de		Ers.f.			
Allgemeintoleranzen nach DIN ISO 2768 - m		540 003 00			
Ers.d.		A3			
B3B		SW			
B3 Stanz- und Umformtechnik Nordhäuser Straße 42 06636 Berga Tel.: (+4934651) 28 88 0 Fax: (+4934651) 28 88 20 www.b3b-spruinge.de		Blatt 1 von 1			

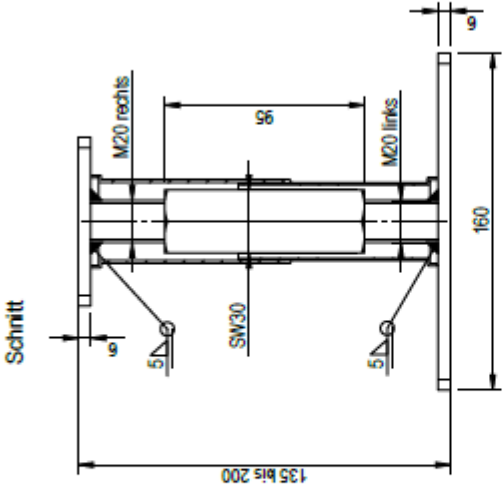


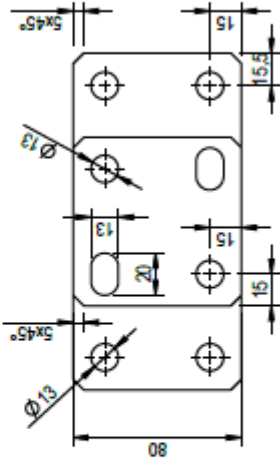
Art.-Nr.: 55000400 PFTR A004 Zapfen


a) S.235 JR		Änderung		S.235 JR	
Index		F. Kollimar	Datum	F. Kollimar	Gepr.
Maßstab: 1:2		Werkstoff: Stahl		S.235 JR	
Gewicht: 2100,89 [g]		Oberfläche: verzinkt			
Volumen: 266949,30 [mm ³]		Benennung: Pfosträger A004		aufschraubbar mit Zapfen	
Bearb.	09.03.12	Name	180x100x150x5,0		
Geprüft		E.Neuwerth			
Norm					
QS					
BB Stanz- und Umformtechnik Nordhäuser Straße 42 06536 Berga Tel.: (+4934651) 25 88 0 Fax: (+4934651) 25 86 20 www.bb-bergade.de		Für diese Zeichnung gelten über den Schutz für Urheberrecht die Bestimmungen der Urheberschutzgesetzgebung des Bundesgesetzblattes vom 12.01.2006 Nr. 1 S. 1007 ff.		Zeichnungs-Nr.: 540 23 0003 Blatt von 1 SW A3	
Allgemeintoleranzen nach DIN ISO 2768 - m		Ers.f.		540 004 00 Ers.d.	

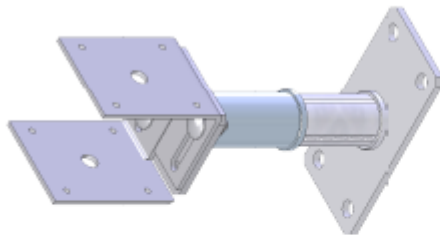
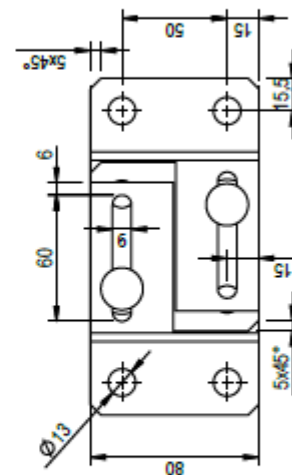
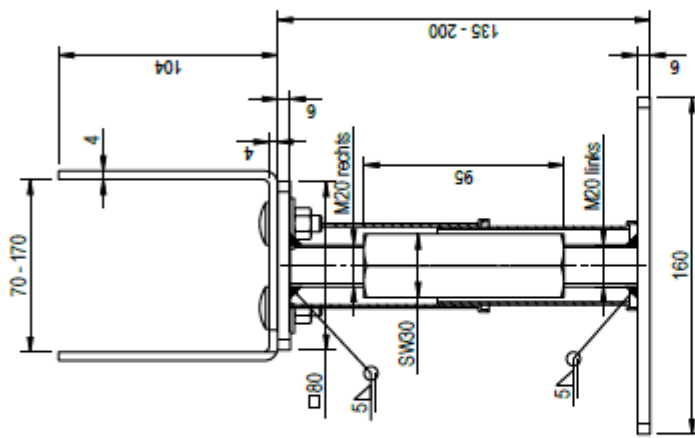
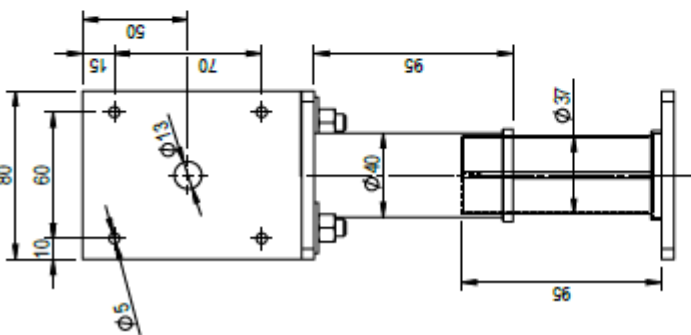




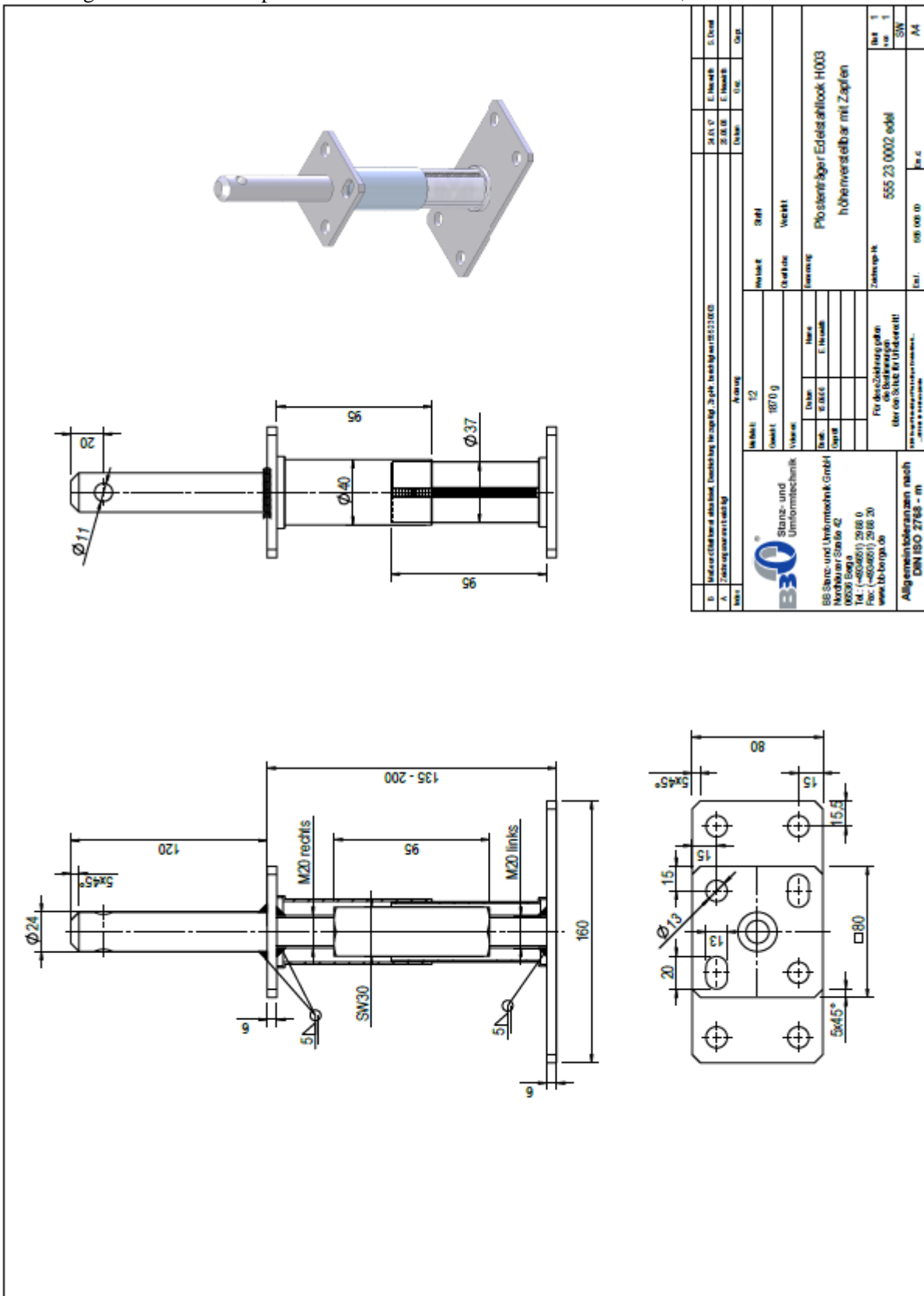




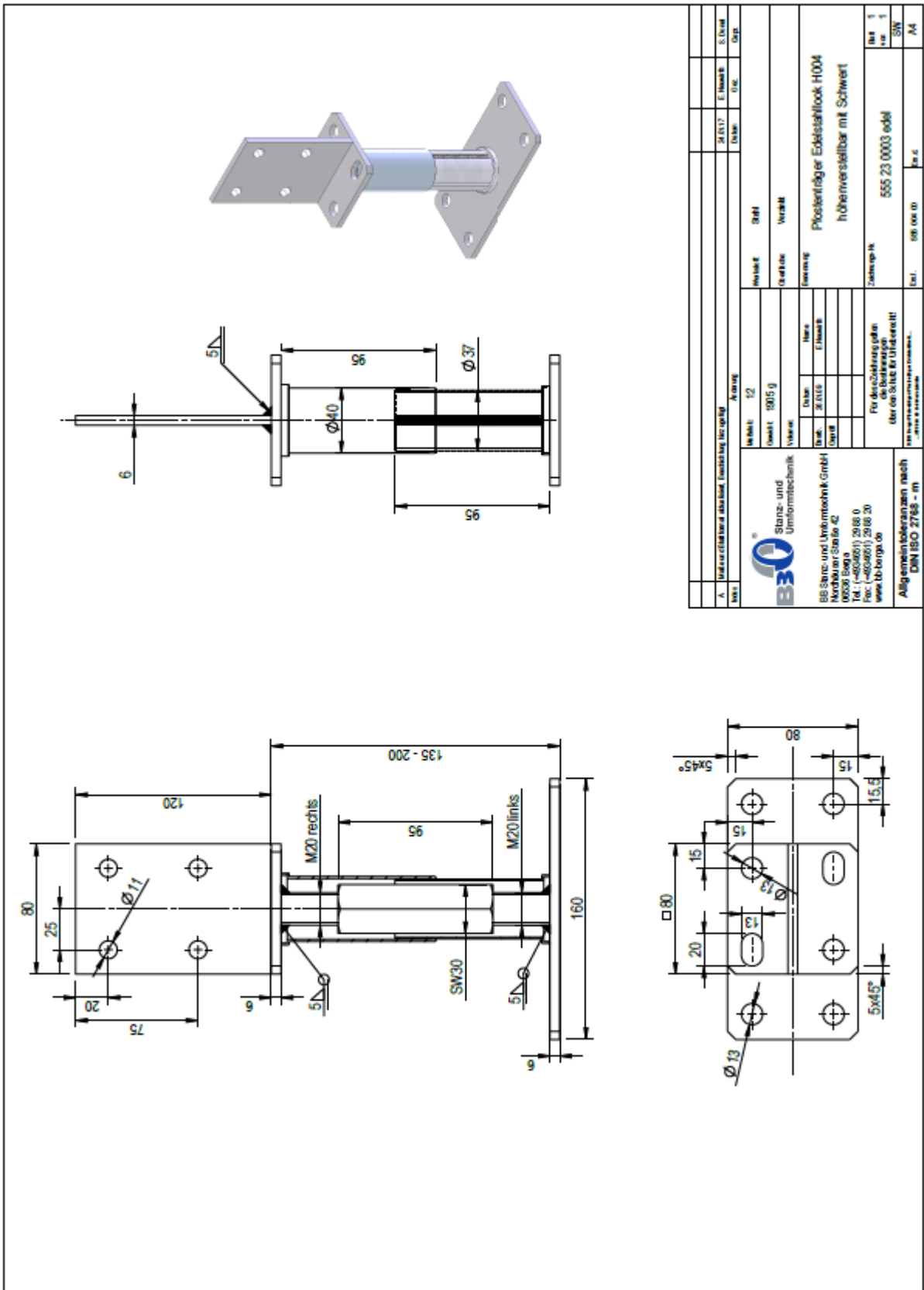
A	Produktfamilie / Produkt, Beschreibung / Bezeichnung	Anzahl	Menge	E. Name	E. Desc
Merk					
 Stanz- und Umformtechnik Nordhauer Straße 42 06308 Bepo Tel.: (+493681) 2088 0 Fax: (+493681) 2088 30 www.b3-berga.de		Menge: 12 Gewicht: 1460 g Material:	Material: St42 Oberfläche: Verzinkt Beschriftung:	Produktfamilie / Produkt: Phoenixligger Edelstahllook H001 Höhenverstellbar mit Platte	
Für den Auftrag geben die Bestellmenge über den Status der Ufforderung!		Zeichnungs-Nr.: 655 23 0000		Blatt: 1 von: 1	SW AM
Allgemeinbezeichnungen nach DIN ISO 2768 - m					

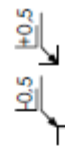
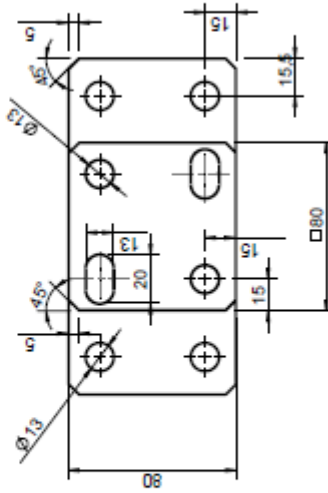
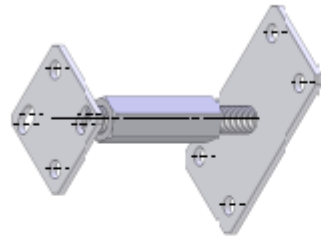
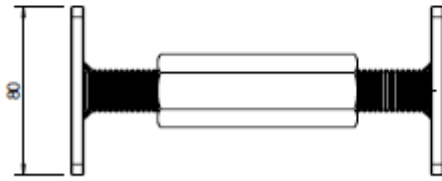
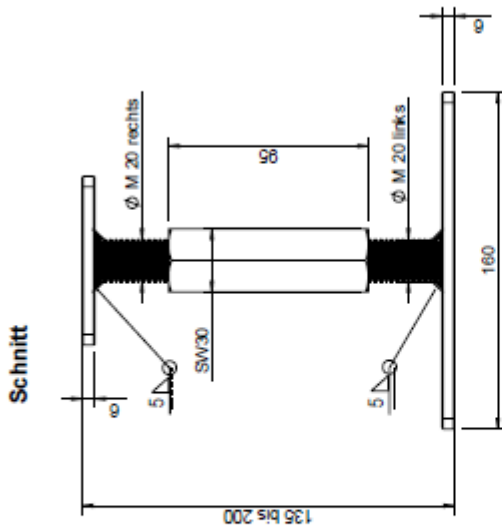



A		E		F	
Art.	Bestellnummer / Article No.	Zeichn. / Drawing	U. / Rev.	U. / Rev.	U. / Rev.
1		21.03.17	01		
B30 Stanz- und Umformtechnik 88 Stanz- und Umformtechnik GmbH Nordhaar Straße 42 06330 Borsdorf Tel.: (+49(0)3901) 29188-0 Fax: (+49(0)3901) 29188-20 www.b30-borsdorf.de		Art. / Part No. 12 Gewicht / Weight 2140 g Material / Material Name / Name Stanz- und Umformtechnik Edelmetall / Precious Metal Platinetragger Edelmetallbook H002 80x80-160x4,0		Zeichnungs-Nr. / Drawing No. 555 23 0001 edel	
Allgemeine Informationen nach DIN ISO 2768 - m		Zeichnung 001 001 00		Blatt / Sheet 1 / 1	

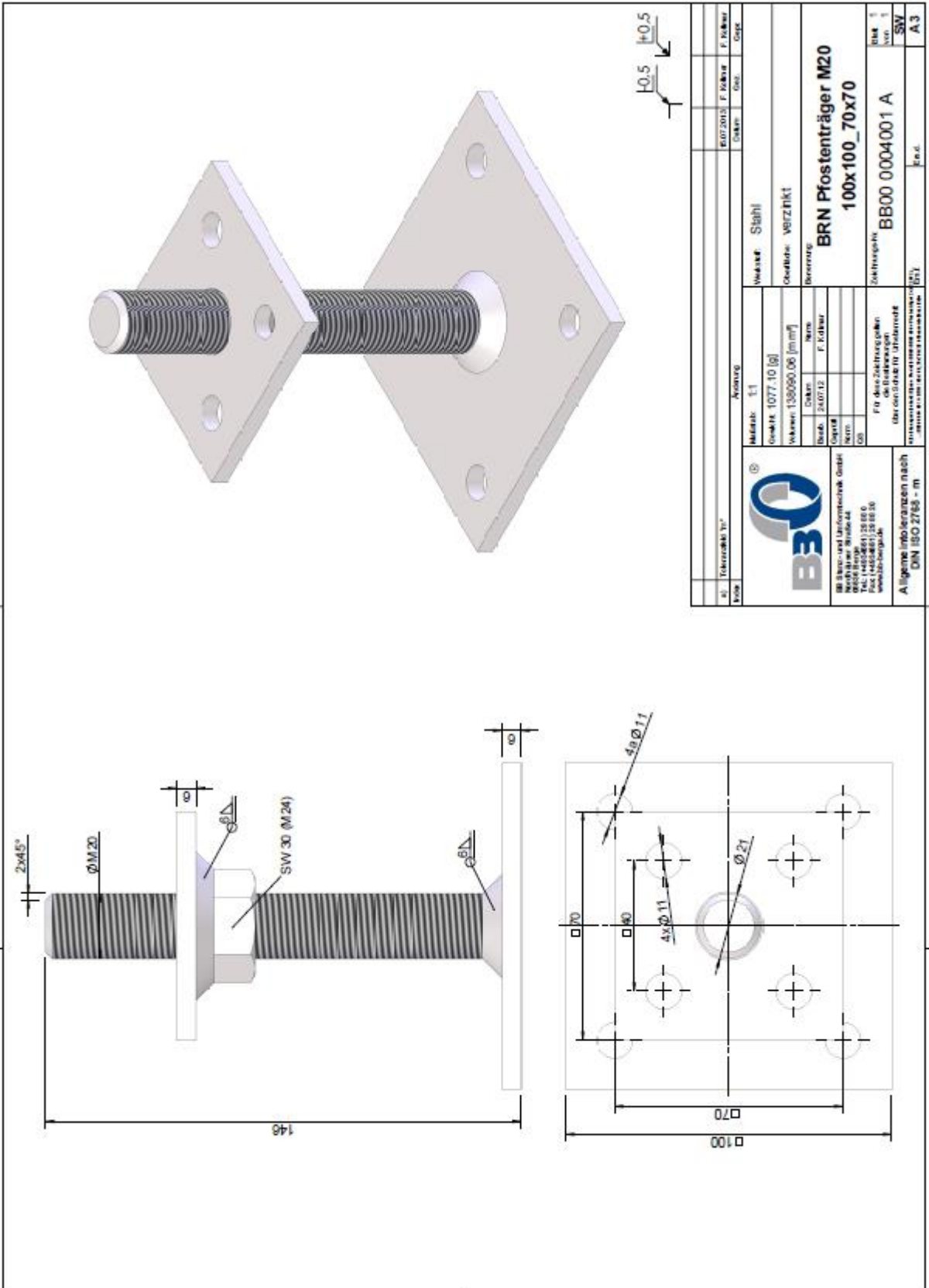


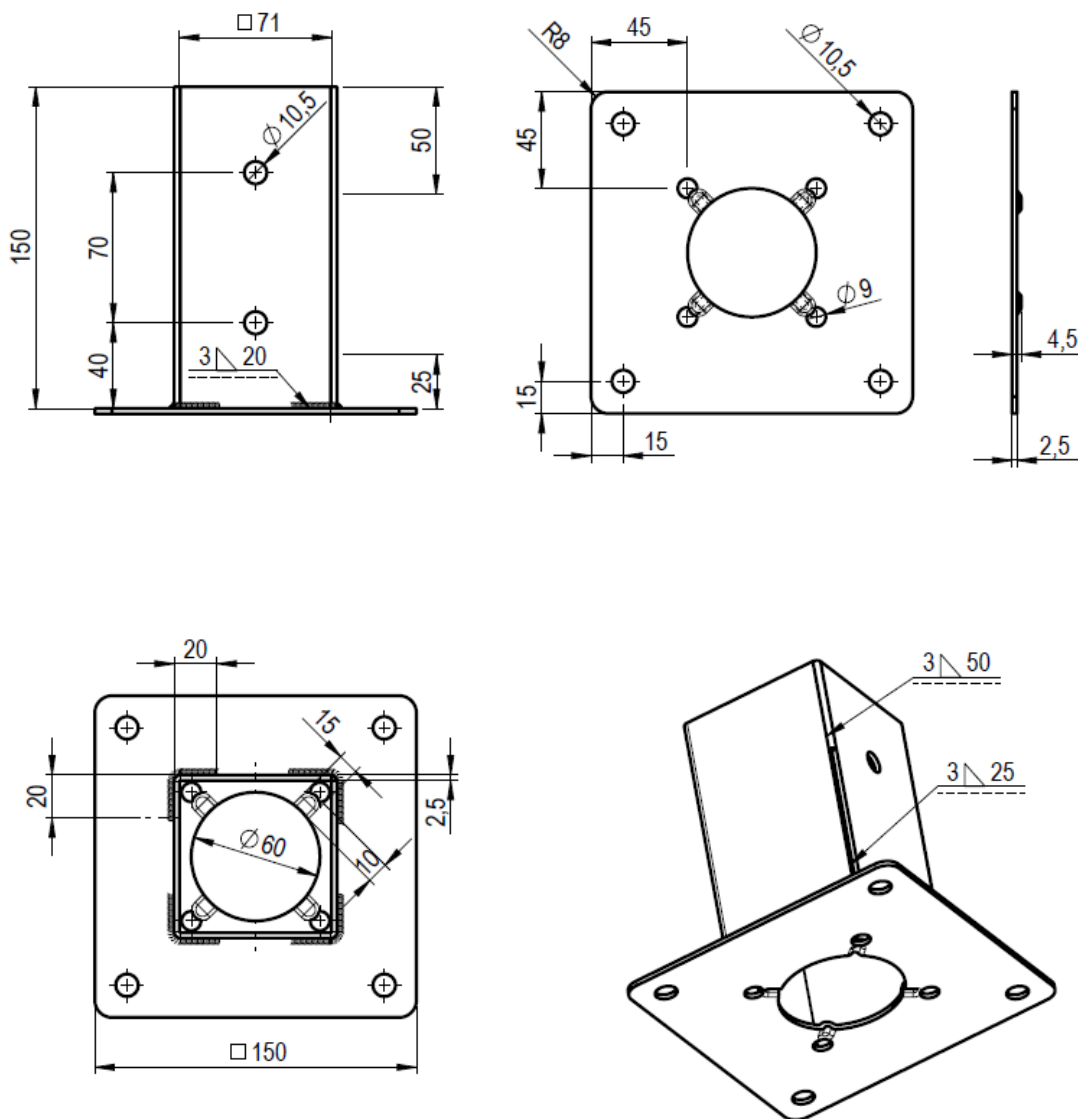
B.	Hersteller	Stanz- und Umformtechnik	
C.	Produkt	Plattenanker Edelstahllook H003	
A.	Produktbeschreibung	hochverstellbar mit Zapfen	
A.1	Material	Stahl	555 23 0002 edel
		Stahl	555 23 0002 edel
A.2	Gewicht	1870 g	555 23 0002 edel
		1870 g	555 23 0002 edel
A.3	Abmessungen	160 mm	555 23 0002 edel
		80 mm	555 23 0002 edel
A.4	Anwendung	Für den Einsatz in...	
		Über den Schutz der Urheberrechte...	
A.5	Zusätzliche Informationen	Stanz- und Umformtechnik	
		Nordhäuser Str. 10 42	
A.6	Telefon	Tel.: (+4904651) 2916 0	
		Fax: (+4904651) 2916 30	
A.7	Webseite	www.tb-berga.de	
		www.tb-berga.de	
A.8	Normen	Allgemeintoleranzen nach	
		DIN ISO 2768 - m	
A.9	Zeichnungsdatum	2017-04-24	
		2017-04-24	
A.10	E. Hersteller	Stanz- und Umformtechnik	
		Nordhäuser Str. 10 42	
A.11	E. Hersteller	Tel.: (+4904651) 2916 0	
		Fax: (+4904651) 2916 30	
A.12	E. Hersteller	www.tb-berga.de	
		www.tb-berga.de	
A.13	E. Hersteller	Allgemeintoleranzen nach	
		DIN ISO 2768 - m	




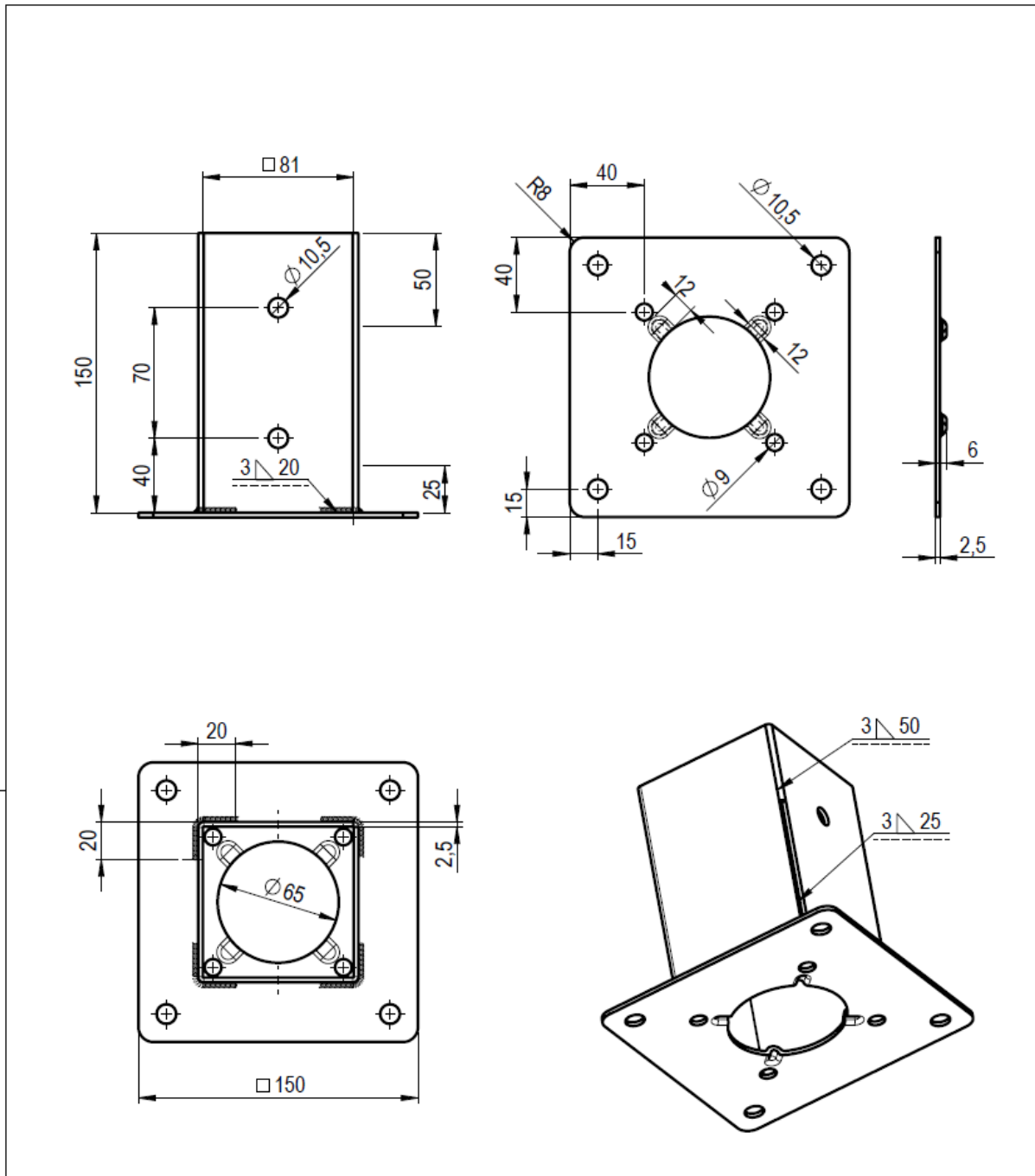



 <p>B30 Baustahl- und Umformtechnik GmbH Waldstraße 44 Tel.: (+49 4661) 29 88 0 Fax: (+49 4661) 29 88 20 www.b30.de</p> <p>Allgemeintoleranzen nach DIN ISO 2768 - m</p>	Anordnung		Material		Werkstoff		Oberfläche		Beschichtung		Zählung	Liste
	12		1450 [g]		Stahl		VERZINKT					
	Werkstoff		Werkstoff		Werkstoff		Werkstoff		Werkstoff		550 13 0000	SW
	Besch.		Besch.		Besch.		Besch.		Besch.			
	Name		Name		Name		Name		Name		550 13 0000	SW
Eigenschaften		Eigenschaften		Eigenschaften		Eigenschaften		Eigenschaften		550 13 0000		
Für diese Zeichnung gelten die Toleranzen über dem Zeichen "m" im Standard DIN ISO 2768-m.												
Blatt 1 von 1 SW A3												

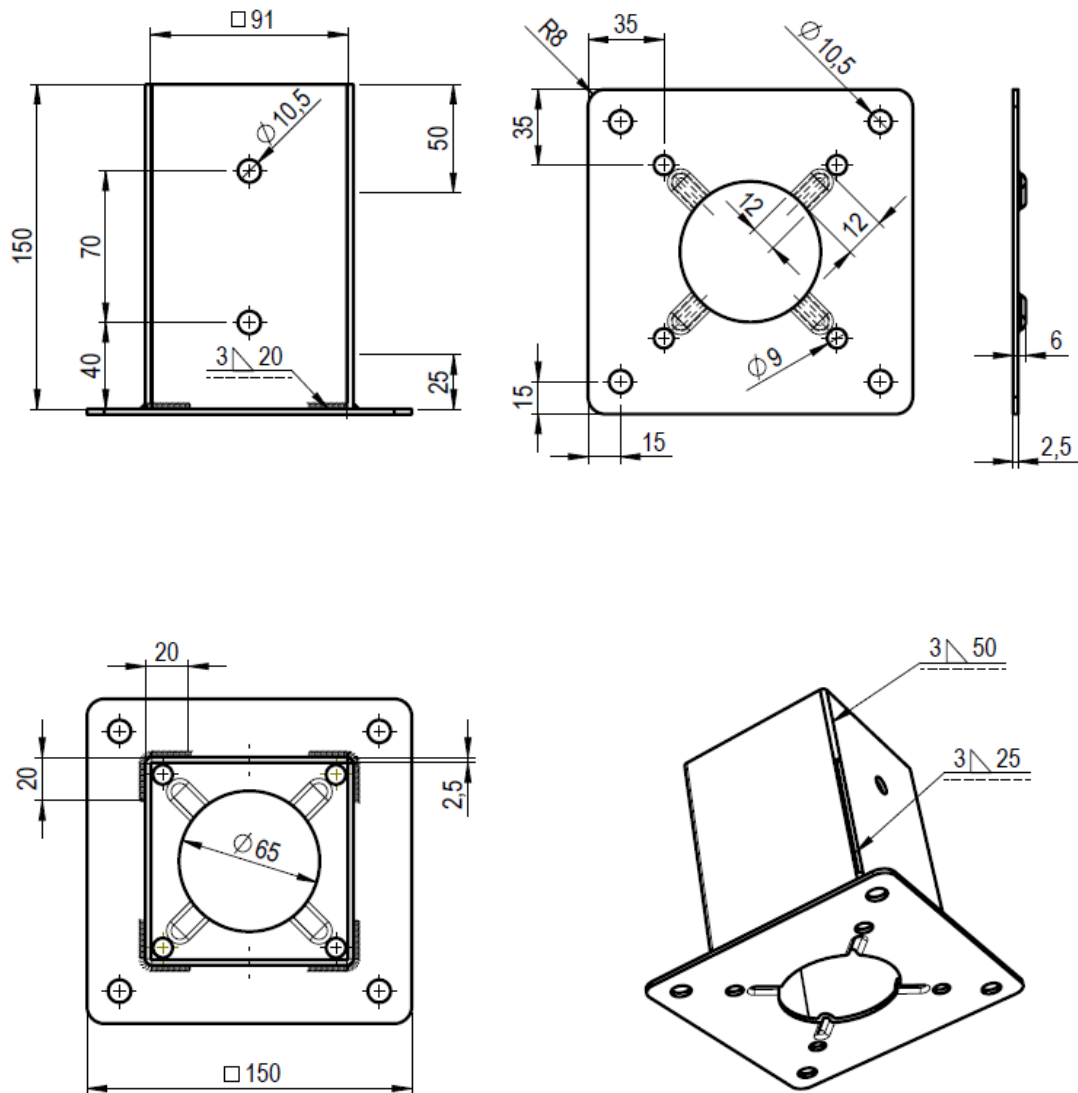





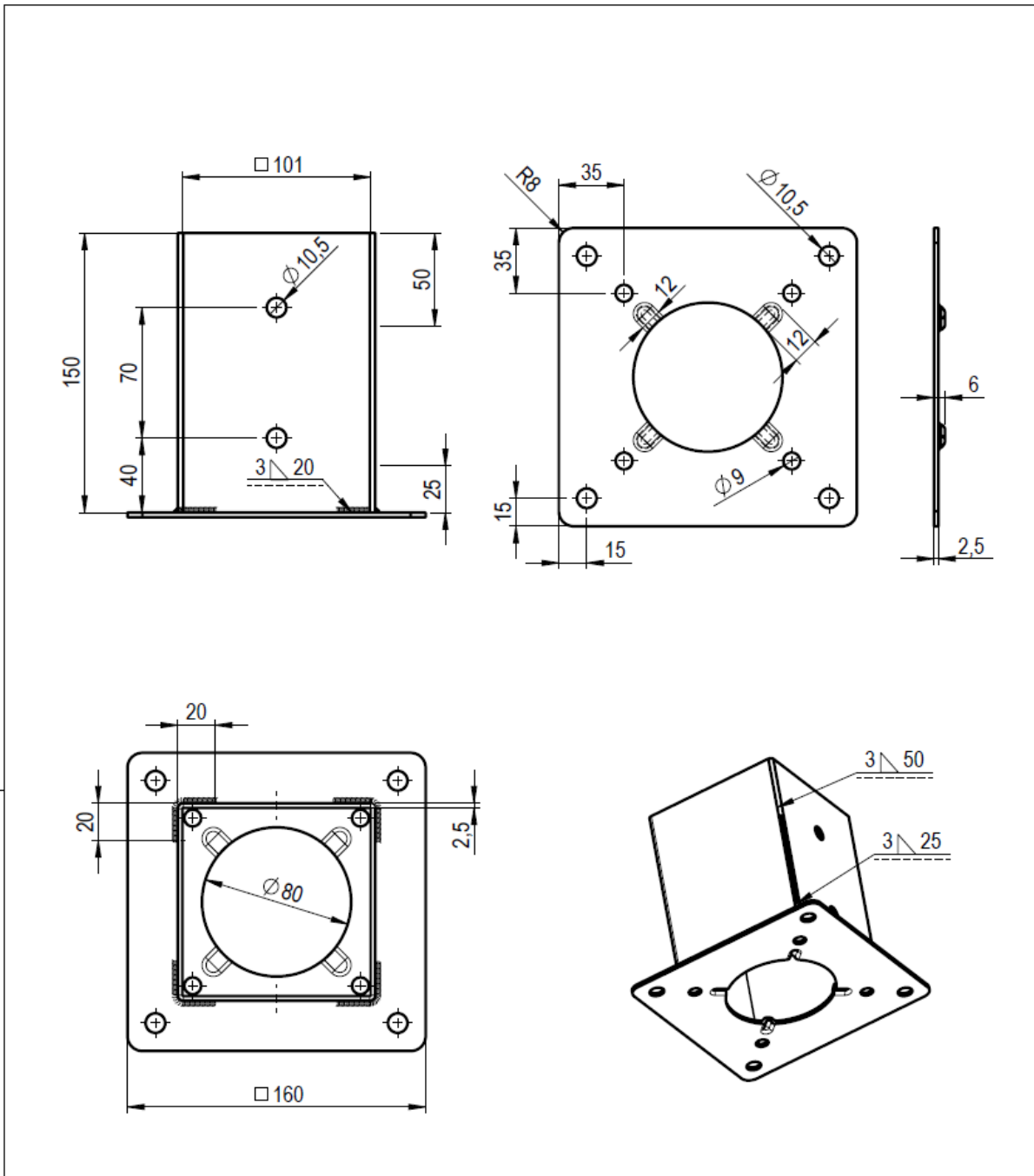
A		Toleranz bei Maß 71 entfernt		13.12.16	E. Neuwirth	S. Donat
Index	Änderung			Datum	Gez.	Gepr.
 <p>BB Stanz- und Umformtechnik GmbH Nordhäuser Straße 42 06536 Berga Tel.: (+4934651) 29 88 0 Fax: (+4934651) 29 88 20 www.bb-berga.de</p>	Maßstab:	1:3		Werkstoff:	Stahl	
	Gewicht:	1224.49 g		Oberfläche:	verzinkt	
	Volumen:	155589.71 mm ³		Benennung:	Aufschraubhülse 71x71x150x150x2,5	
	Bearb.	Datum	Name			
	Geprüft	Datum	Name			
Für diese Zeichnung gelten die Bestimmungen über den Schutz für Urheberrecht!			Zeichnungs-Nr.	BB00-0023-003		Blatt 1 von 1
Allgemeintoleranzen nach DIN ISO 2768 - m			Ers.f.	59507125	Ers.d.	SW A4




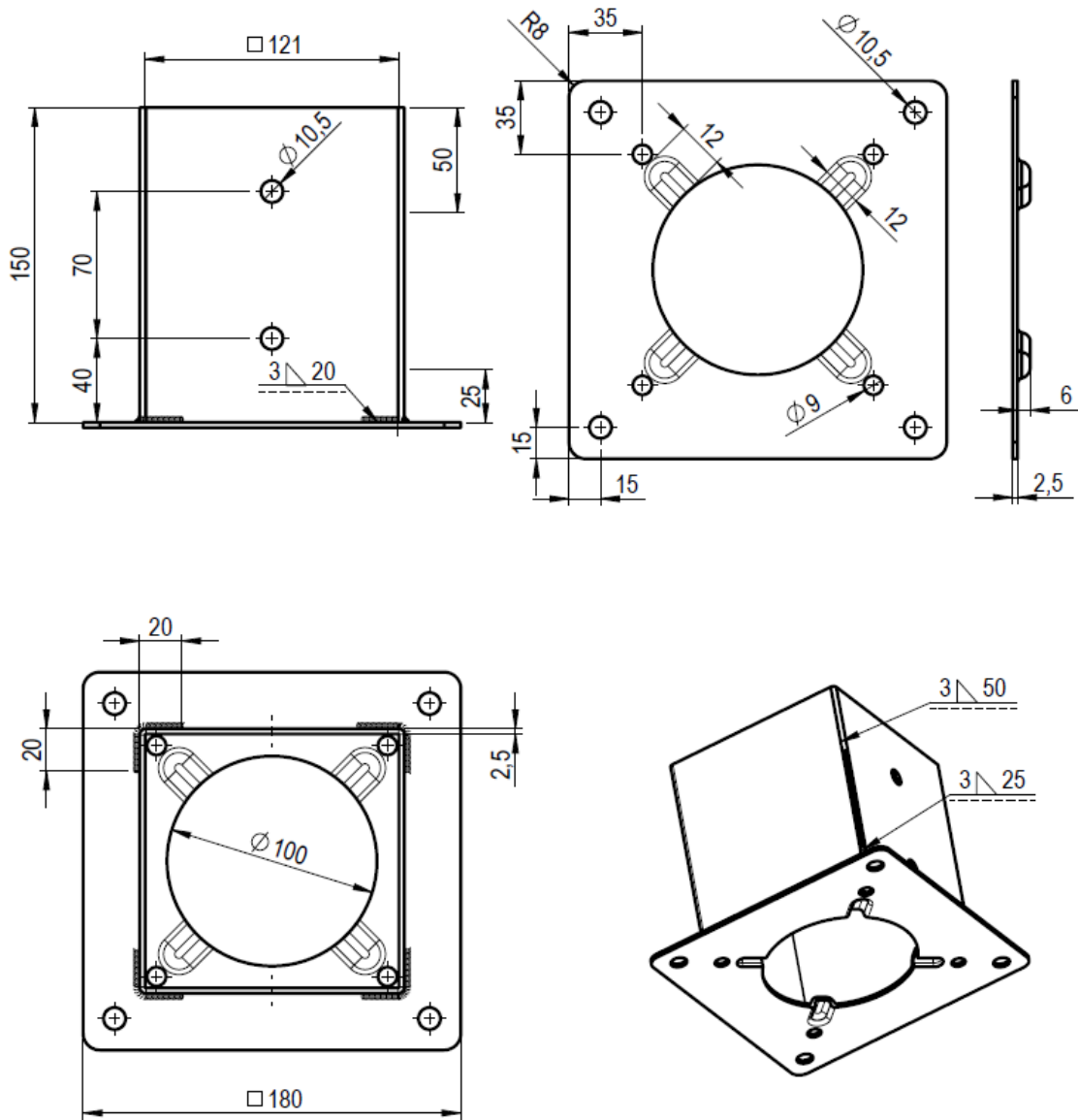
A	Bemaßung der Sicke nachgetragen, Toleranz bei Maß 81 entfernt	13.12.16	E. Neuwirth	S. Donat	
Index	Änderung	Datum	Gez.	Gepr.	
 <p>B30 Stanz- und Umformtechnik BB Stanz- und Umformtechnik GmbH Nordhäuser Straße 42 06536 Berga Tel.: (+4934651) 29 88 0 Fax: (+4934651) 29 88 20 www.bb-berga.de</p>	Maßstab: 1:3	Werkstoff: Stahl			
	Gewicht: 1334.85 g	Oberfläche: verzinkt			
	Volumen: 169612.64 mm ³	Benennung: Aufschraubhülse			
		81x81x150x150x2,5			
		Zeichnungs-Nr. BB00-0023-004			
	Für diese Zeichnung gelten die Bestimmungen über den Schutz für Urheberrecht!		Blatt 1 von 1		SW
Allgemeintoleranzen nach DIN ISO 2768 - m	<small>©/BB Berga/BB00/BB00-0023-ASHL... .../BB00-0023-004 Aufschraubhülse ASH 81x81x150x150x2,5.slddrw</small>		Ers.f. 59508125	Ers.d.	A4




A		Bemaßung der Sicke nachgetragen, Toleranz bei Maß 91 entfernt	13.12.16	E. Neuwirth	S. Donat		
Index	Änderung		Datum	Gez.	Gepr.		
 Stanz- und Umformtechnik BB Stanz- und Umformtechnik GmbH Nordhäuser Straße 42 06536 Berga Tel.: (+4934651) 29 88 0 Fax: (+4934651) 29 88 20 www.bb-berga.de	Maßstab:	1:3	Werkstoff:	Stahl			
	Gewicht:	1455.08 g	Oberfläche:	verzinkt			
	Volumen:	184889.48 mm ³	Benennung: Aufschraubhülse 91x91x150x150x2,5				
		Datum					Name
	Bearb.	02.03.16					E. Neuwirth
	Geprüft	02.03.16	A. Krause	Zeichnungs-Nr. BB00-0023-005			
Für diese Zeichnung gelten die Bestimmungen über den Schutz für Urheberrecht!							
Allgemeintoleranzen nach DIN ISO 2768 - m		D:\BB Berga\BB00\BB00-0023-A5H1...BB00-0023-005 Aufschraubhülse ASH 91x91x150x150x2,5.sldwtw		Ers.f.	59509125		
				Ers.d.			
				Blatt von	1 1		
				SW	A4		

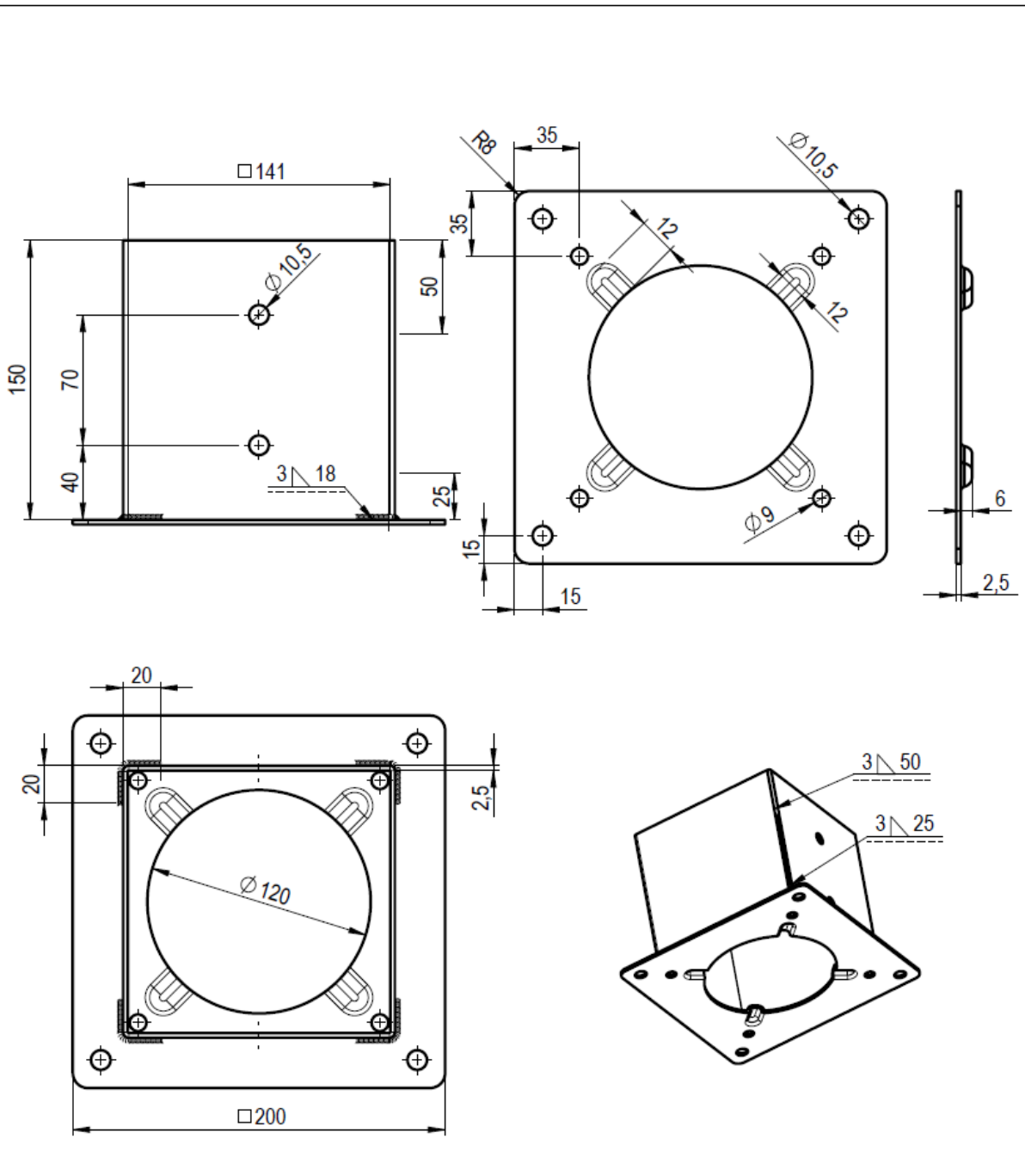



A		Bemaßung der Sicke nachgetragen, Toleranz bei Maß 101 entfernt		13.12.16	E. Neuwirth									
Index	Änderung			Datum	Gez.									
 <p>BB Stanz- und Umformtechnik GmbH Nordhäuser Straße 42 06536 Berga Tel.: (+4934651) 29 88 0 Fax: (+4934651) 29 88 20 www.bb-berga.de</p>		Maßstab: 1:3		Werkstoff: Stahl										
		Gewicht: 1599.05 g		Oberfläche: verzinkt										
		Volumen: 203183.29 mm ³		Benennung: Aufschraubhülse										
		<table border="1"> <tr> <th></th> <th>Datum</th> <th>Name</th> </tr> <tr> <td>Bearb.</td> <td>02.03.16</td> <td>E. Neuwirth</td> </tr> <tr> <td>Geprüft</td> <td>02.03.16</td> <td>A. Krause</td> </tr> </table>			Datum	Name	Bearb.	02.03.16	E. Neuwirth	Geprüft	02.03.16	A. Krause	101x101x150x160x2,5	
			Datum	Name										
Bearb.	02.03.16	E. Neuwirth												
Geprüft	02.03.16	A. Krause												
<p>Für diese Zeichnung gelten die Bestimmungen über den Schutz für Urheberrecht!</p> <p><small>© BB Berga BB0000000-0023-ASH... ... BB00-0023-006 Aufschraubhülse ASH 101x101x150x160x2,5.sldprt</small></p>		Zeichnungs-Nr. BB00-0023-006		Blatt 1 von 1										
Allgemeintoleranzen nach DIN ISO 2768 - m		Ers.f. 59510125	Ers.d.	SW A4										

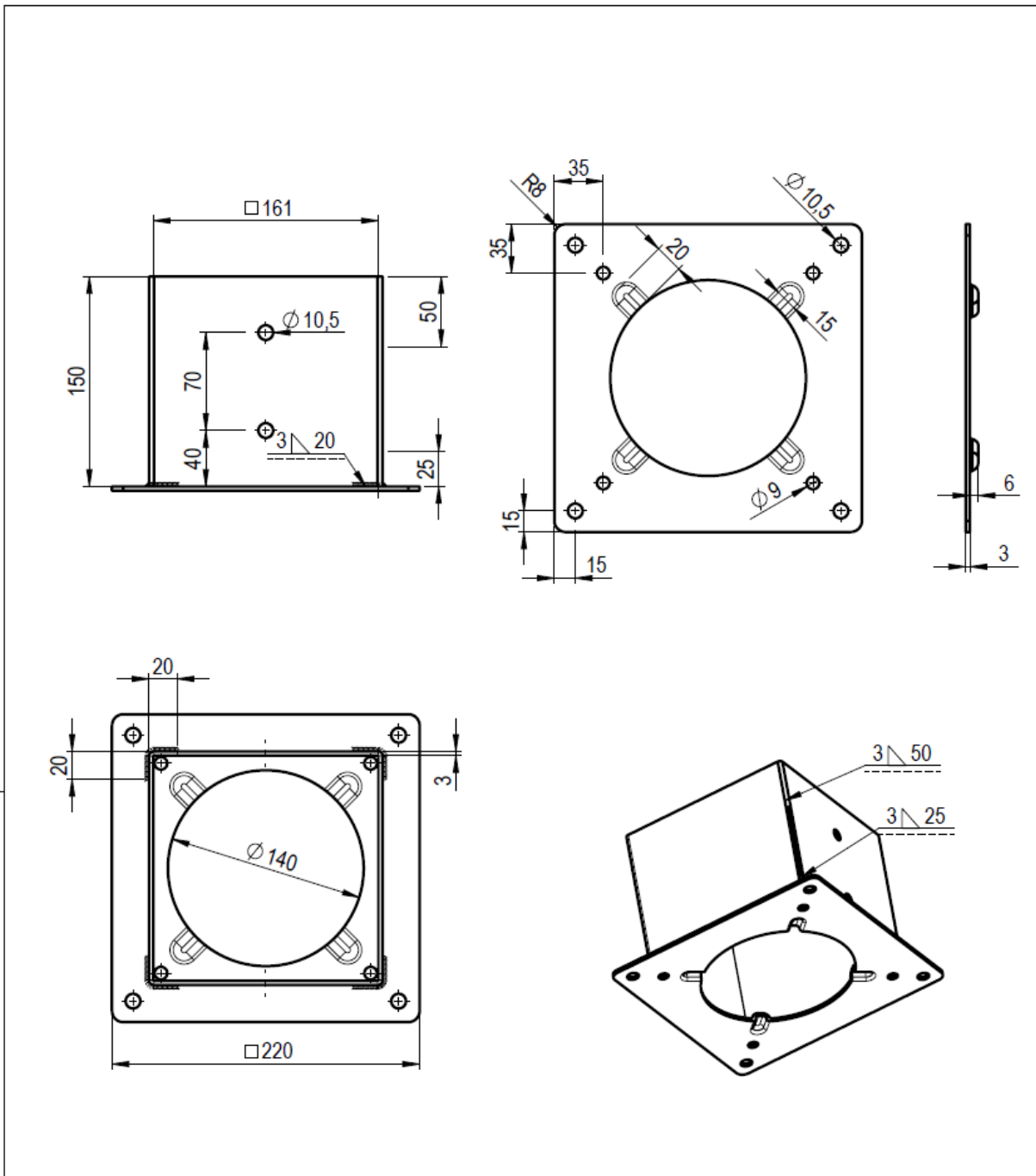



A	Bemaßung der Sicke berichtigt, Maß 20 in 12 und Maß 15 in 12, Toleranz bei Maß 121 entfernt	13.12.16	E. Neuwirth	S. Donat		
Index	Änderung	Datum	Gez.	Gepr.		
 <p>Stanz- und Umformtechnik</p> <p>BB Stanz- und Umformtechnik GmbH Nordhäuser Straße 42 06536 Berga Tel.: (+4934651) 29 88 0 Fax: (+4934651) 29 88 20 www.bb-berga.de</p>	Maßstab: 1:3	Werkstoff: Stahl				
	Gewicht: 1924.82 g	Oberfläche: verzinkt				
	Volumen: 244576.86 mm ³	Benennung: Aufschraubhülse 121x121x150x180x2,5				
	Datum					Name
	Bearb. 02.03.16					E. Neuwirth
Geprüft 02.03.16	A. Krause	Zeichnungs-Nr. BB00 0023 007		Blatt 1 von 1		
Für diese Zeichnung gelten die Bestimmungen über den Schutz für Urheberrecht!		Ers.f. 59512125		Ers.d.	SW	
D:\BB_Berga\BB00\BB00-0023-A.dwg ...BB00-0023-007 Aufschraubhülse ASH 121x121x150x180x2,5.dwg				A4		

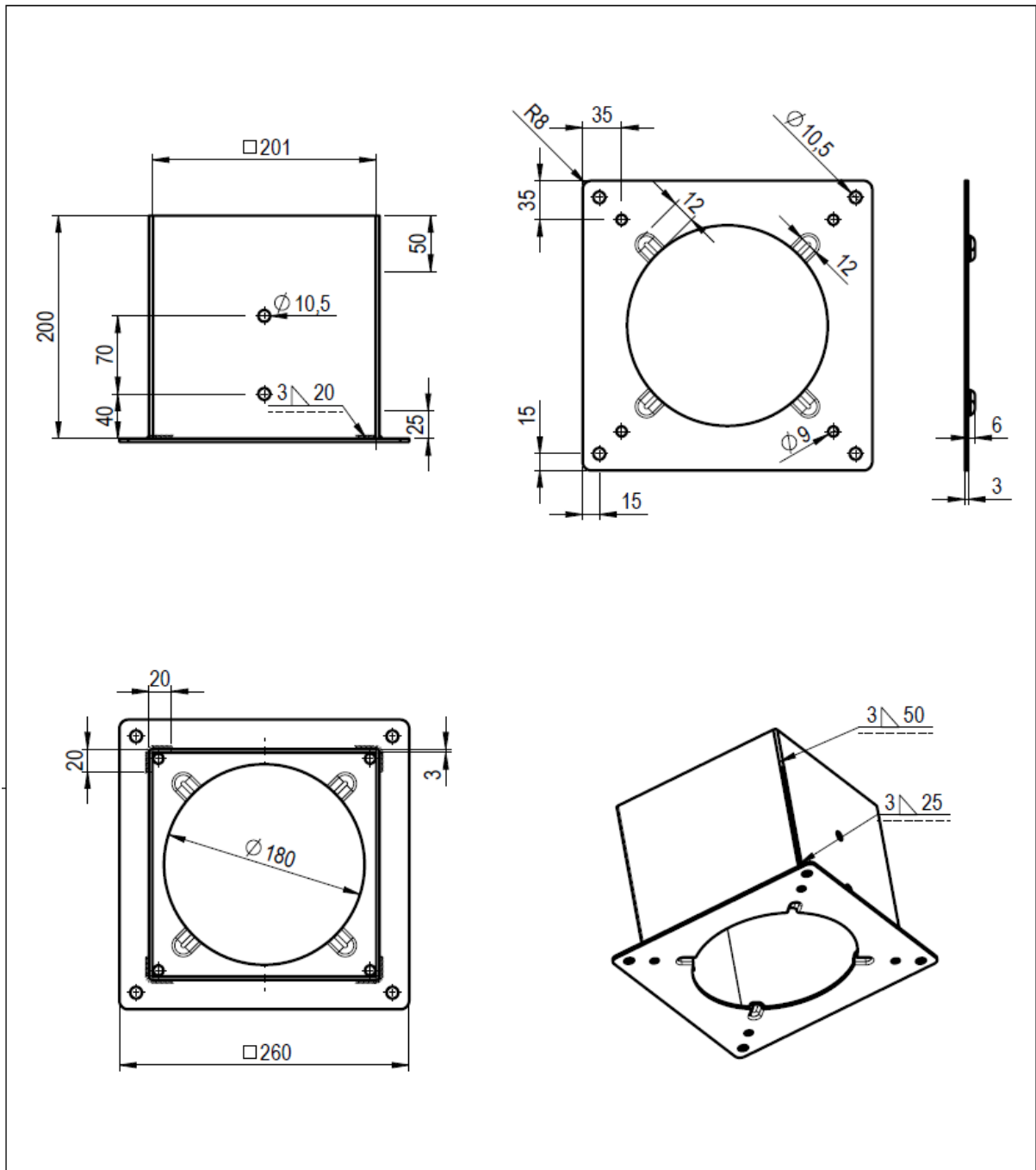
Allgemeintoleranzen nach DIN ISO 2768 - m




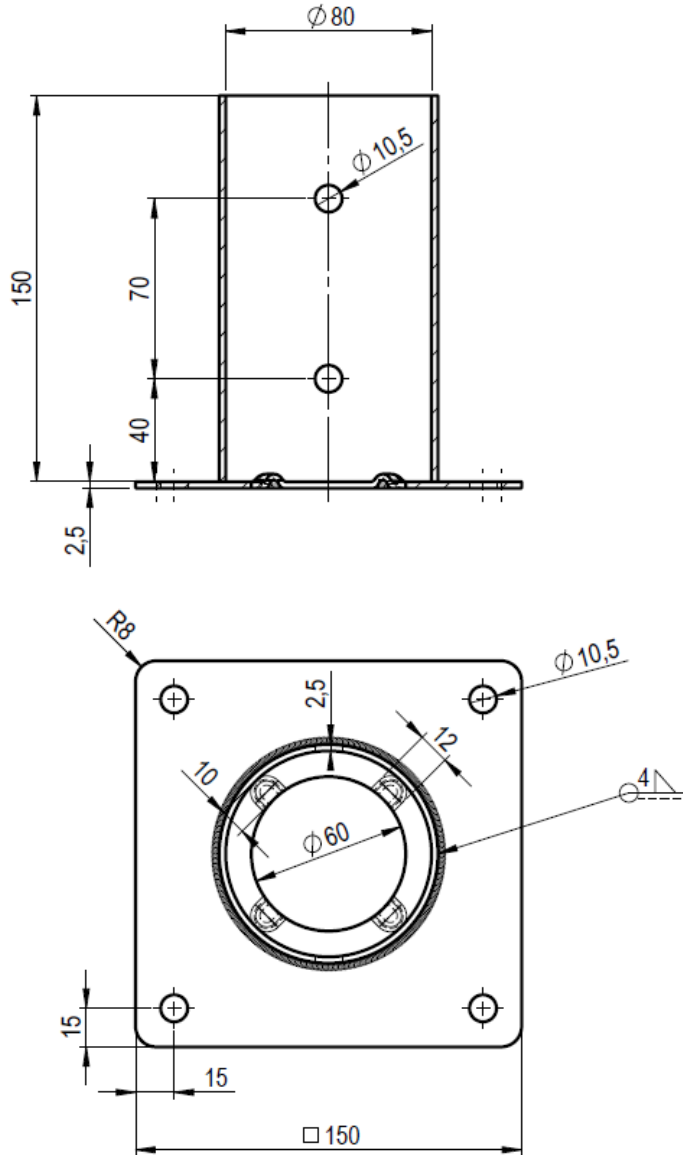
A	Bemaßung der Sicke korrigiert, Maß 20 in 12, Maß 15 in 12 geändert, Toleranz bei Maß 141 entfernt	13.12.16	E. Neuwirth	S. Donat		
Index	Änderung	Datum	Gez.	Gepr.		
 <p>B30 Stanz- und Umformtechnik BB Stanz- und Umformtechnik GmbH Nordhäuser Straße 42 06536 Berga Tel.: (+4934651) 29 88 0 Fax: (+4934651) 29 88 20 www.bb-berga.de</p>	Maßstab: 1:3	Werkstoff: Stahl				
	Gewicht: 2241.50 g	Oberfläche: verzinkt				
	Volumen: 284815.65 mm ³	Benennung: Aufschraubhülse 141x141x150x200x2,5				
	Datum					Name
	Bearb. 02.03.16					E. Neuwirth
Geprüft 02.03.16	A. Krause	Zeichnungs-Nr. BB00-0023-008		Blatt 1 von 1		
Für diese Zeichnung gelten die Bestimmungen über den Schutz für Urheberrecht!		Ers.f. 59514125	Ers.d.	SW	A4	
D:\BB Berga\BB00\BB00-0023-A-01... ...BB00-0023-008 Aufschraubhülse ASH 141x141x150x200x2,5.sldprt						




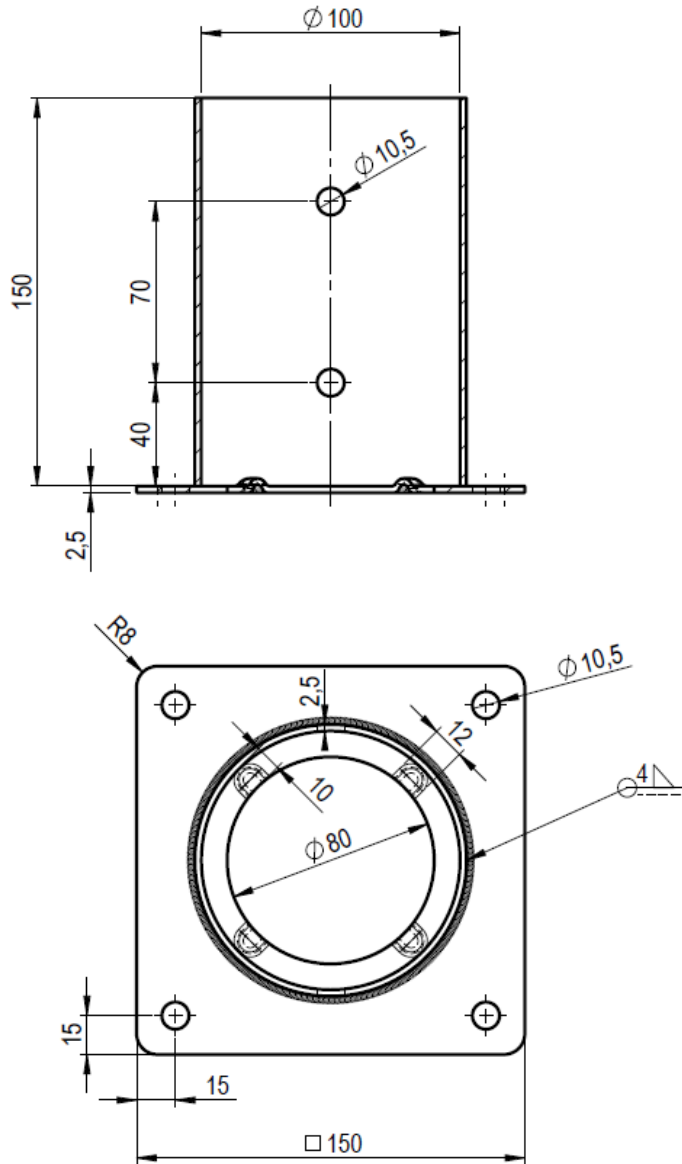
A	Bemaßung der Sicke korrigiert, Maß 20 in 12 und Maß 15 in 12, Toleranz bei Maß 161 entfernt	13.12.16	E. Neuwirth	S. Donat			
Index	Änderung	Datum	Gez.	Gepr.			
 <p>B30 Stanz- und Umformtechnik BB Stanz- und Umformtechnik GmbH Nordhäuser Straße 42 06536 Berga Tel.: (+4934651) 29 88 0 Fax: (+4934651) 29 88 20 www.bb-berga.de</p>	Maßstab: 1:4	Werkstoff: Stahl					
	Gewicht: 3079.51 g	Oberfläche: verzinkt					
	Volumen: 391297.87 mm ³	Benennung: Aufschraubhülse 161x161x150x220x3,0					
						Datum	Name
	Bearb.					02.03.16	E. Neuwirth
Geprüft	02.03.16	A. Krause	Zeichnungs-Nr. BB00-0023-009		Blatt 1 von 1		
Für diese Zeichnung gelten die Bestimmungen über den Schutz für Urheberrecht!		Ers.f. 59516125		Ers.d.	SW		
Allgemeintoleranzen nach DIN ISO 2768 - m		D:\BB Berga\BB00\BB00-0023-ASH... ...BB00-0023-000 Aufschraubhülse ASH 161x161x150x220x3,0.xlsx		A4			




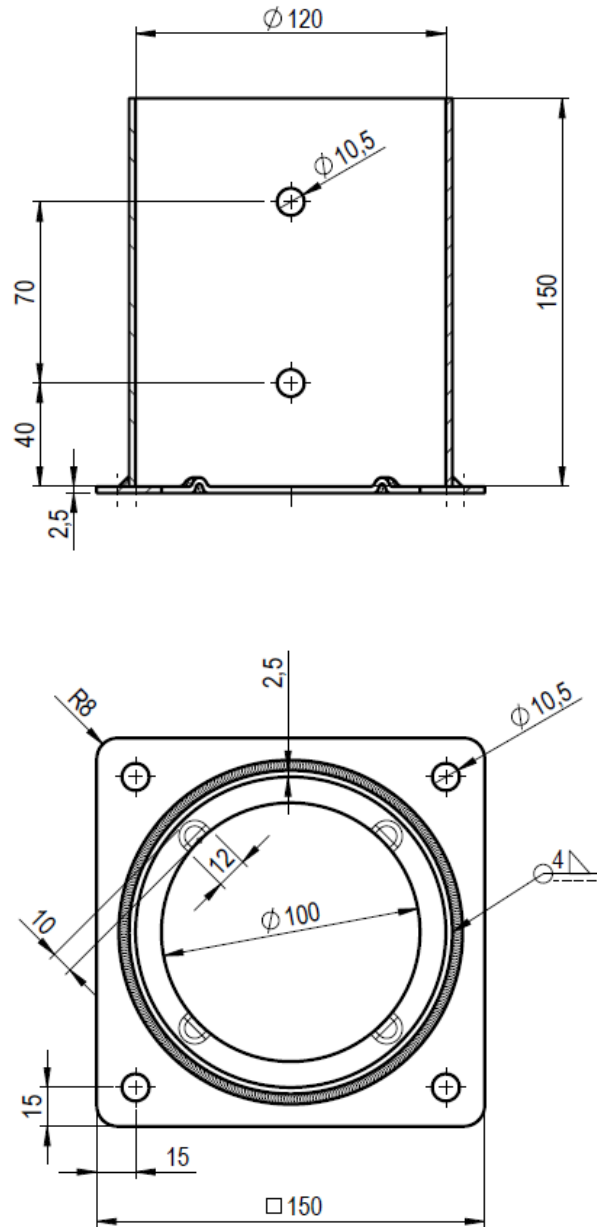
A	Maße für Sticke von 20 in 12 und von 15 in 12 geändert	13.12.16	E. Neuwirth	S. Donat		
Index	Änderung	Datum	Gez.	Gepr.		
 <p>B3 Stanz- und Umformtechnik BB Stanz- und Umformtechnik GmbH Nordhäuser Straße 42 06536 Berga Tel.: (+4934651) 29 88 0 Fax: (+4934651) 29 88 20 www.bb-berga.de</p>	Maßstab: 1:5	Werkstoff: Stahl		Benennung: Aufschraubhülse 201x201x200x260x3,0		
	Gewicht: 4818.54 g	Oberfläche: verzinkt				
	Volumen: 612266.22 mm ³					
		Datum	Name		Zeichnungs-Nr. BB00-0023-010	
	Bearb.	02.03.16	E. Neuwirth			
Geprüft	02.03.16	A. Krause				
Für diese Zeichnung gelten die Bestimmungen über den Schutz für Urheberrecht!		Ers.f. 59520130		Blatt 1 von 1 SW A4		
Allgemeintoleranzen nach DIN ISO 2768 - m		Ers.d.				




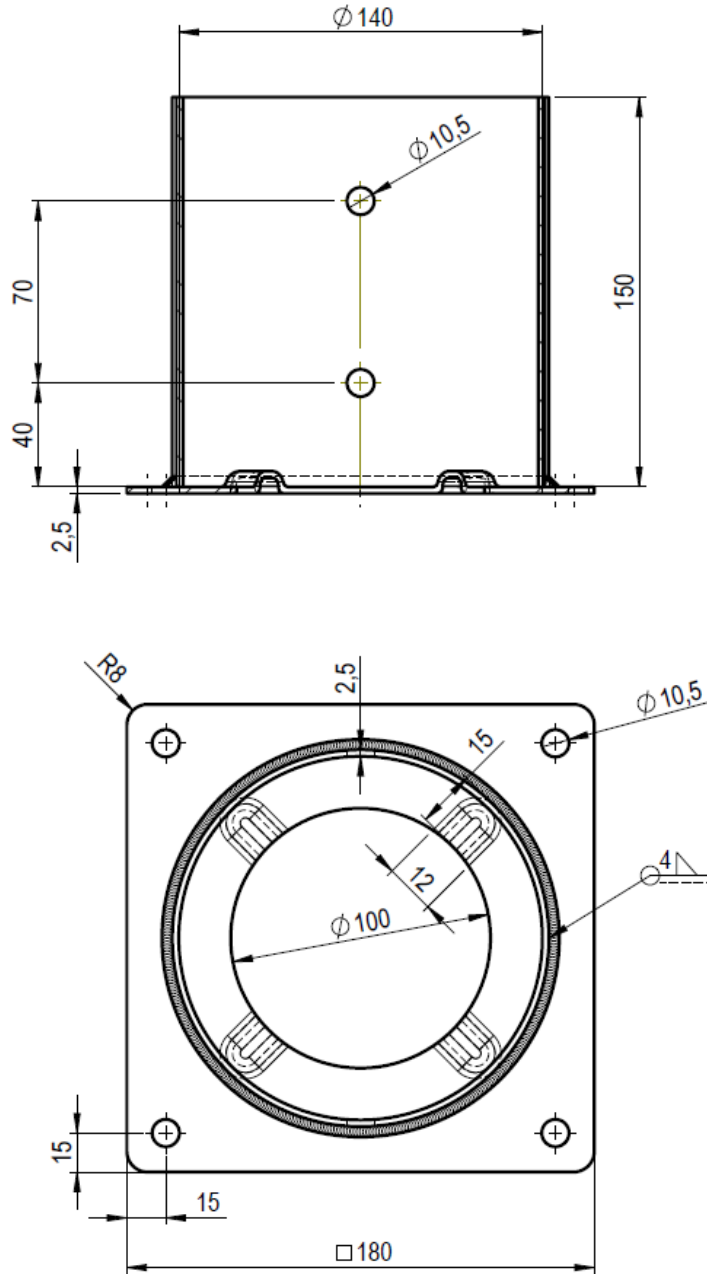
A	Maß 12 und Maß 10 für Sicke hinzugefügt, Innen-ø von 50 in 60 berichtigt, Toleranz bei ø 80 entfernt	13.12.16	E. Neuwirth	S. Donat							
Index	Änderung	Datum	Gez.	Gepr.							
 <p>BB Stanz- und Umformtechnik GmbH Nordhäuser Straße 42 06536 Berga Tel.: (+4934651) 29 88 0 Fax: (+4934651) 29 88 20 www.bb-berga.de</p>	Maßstab: 1:2,5	Werkstoff: Stahl									
	Gewicht: 1139,12 g	Oberfläche: verzinkt									
	Volumen: 144741,58 mm ³	Benennung: Aufschraubhülse ø 80x150x150x2,5									
	<table border="1"> <tr> <th>Datum</th> <th>Name</th> </tr> <tr> <td>02.03.16</td> <td>E. Neuwirth</td> </tr> <tr> <td>02.03.16</td> <td>A. Krause</td> </tr> </table>	Datum	Name	02.03.16	E. Neuwirth	02.03.16	A. Krause	Zeichnungs-Nr. BB00-0023-011			
	Datum	Name									
02.03.16	E. Neuwirth										
02.03.16	A. Krause										
Für diese Zeichnung gelten die Bestimmungen über den Schutz für Urheberrecht!		Ers.f. 59508025		Ers.d.	Blatt 1 von 1						
Allgemeintoleranzen nach DIN ISO 2768 - m		D:\BB Berga\BB00\BB00-0023-ASH. ...BB00-0023-011 Aufschraubhülse ABH 80x150x150x2,5 rund sidzw		SW A4							




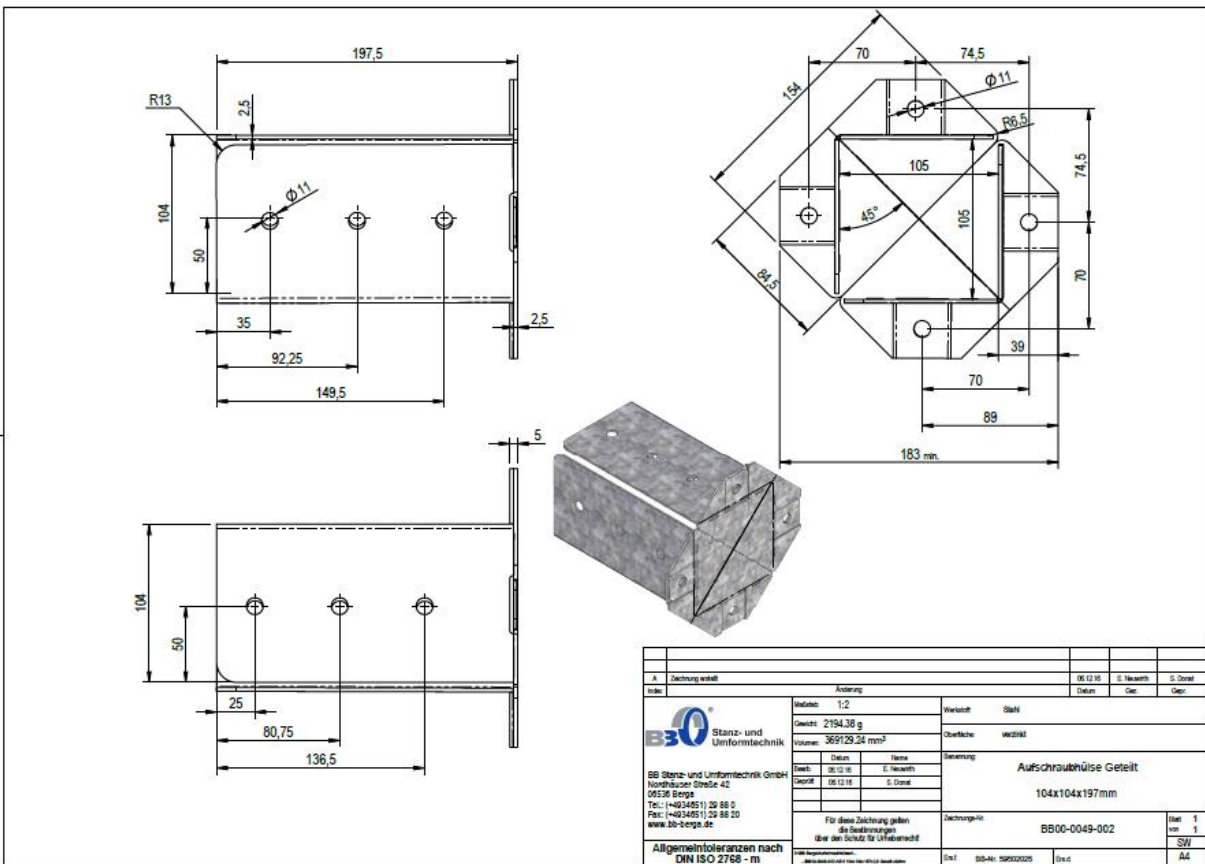
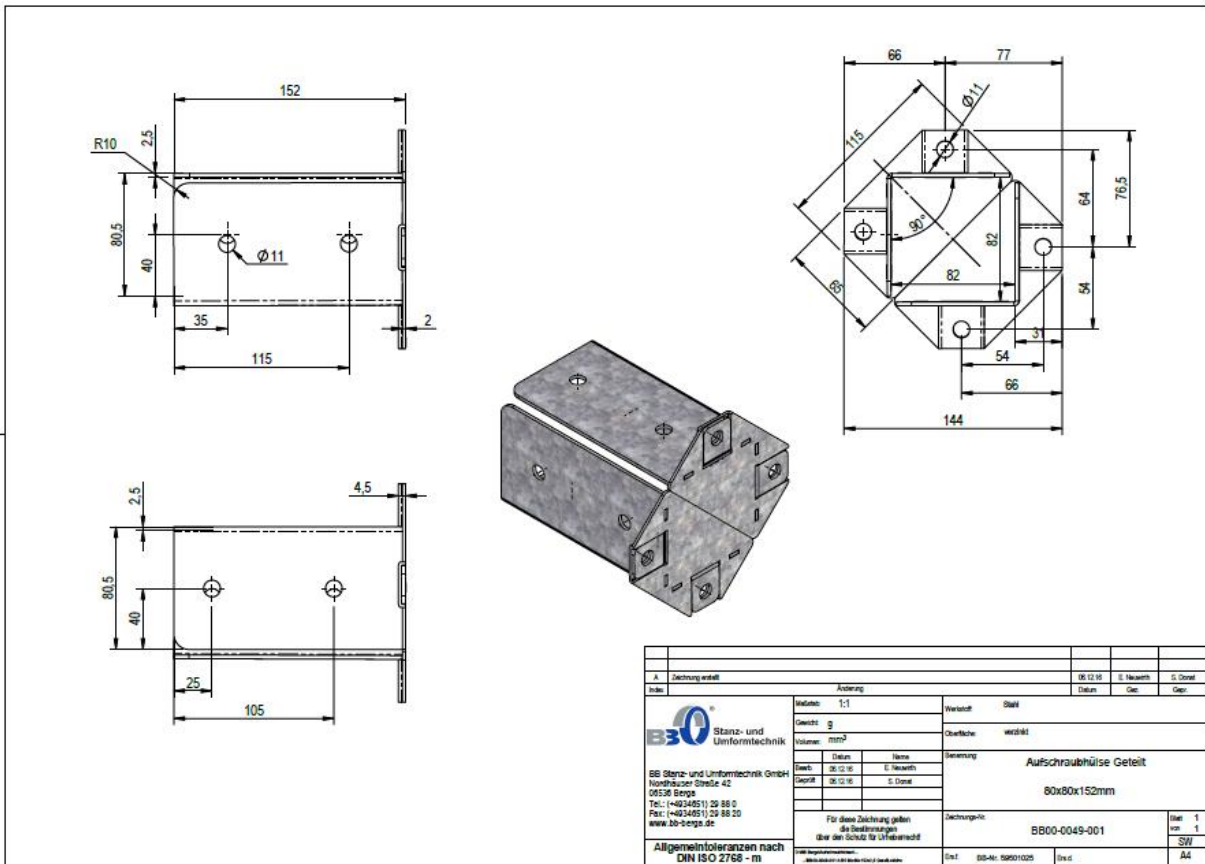
A	Hülsen- ϕ von Außen- ϕ 80 in ϕ 100 berichtigt, Innenloch- ϕ von 50 in ϕ 80 berichtigt, Toleranz bei ϕ 100 entfernt	13.12.16	E. Neuwirth	S. Donat													
Index	Änderung	Datum	Gez.	Gepr.													
 <p>B3 Stanz- und Umformtechnik BB Stanz- und Umformtechnik GmbH Nordhäuser Straße 42 06536 Berga Tel.: (+4934651) 29 88 0 Fax: (+4934651) 29 88 20 www.bb-berga.de</p>	Maßstab: 1:2.5	Werkstoff: Stahl															
	Gewicht: 1281.28 g	Oberfläche: verzinkt															
	Volumen: 162805.19 mm ³	Benennung: Aufsraubhülse ϕ 100x150x150x2,5															
	<table border="1"> <thead> <tr> <th></th> <th>Datum</th> <th>Name</th> </tr> </thead> <tbody> <tr> <td>Bearb.</td> <td>02.03.16</td> <td>E. Neuwirth</td> </tr> <tr> <td>Geprüft</td> <td>02.03.16</td> <td>A. Krause</td> </tr> <tr> <td></td> <td></td> <td></td> </tr> </tbody> </table>		Datum	Name	Bearb.	02.03.16	E. Neuwirth	Geprüft	02.03.16	A. Krause				Zeichnungs-Nr. BB00-0023-012		Blatt 1 von 1	
		Datum	Name														
Bearb.	02.03.16	E. Neuwirth															
Geprüft	02.03.16	A. Krause															
<p>Für diese Zeichnung gelten die Bestimmungen über den Schutz für Urheberrecht!</p> <p><small>D:\BB Berga\BB00\BB00-0023-A5H1... ...BB00-0023-012 Aufsraubhülse ASH 100x150x150x2,5 rund slddw</small></p>	Ers.f. 59510025	Ers.d.	SW A4														
Allgemeintoleranzen nach DIN ISO 2768 - m																	

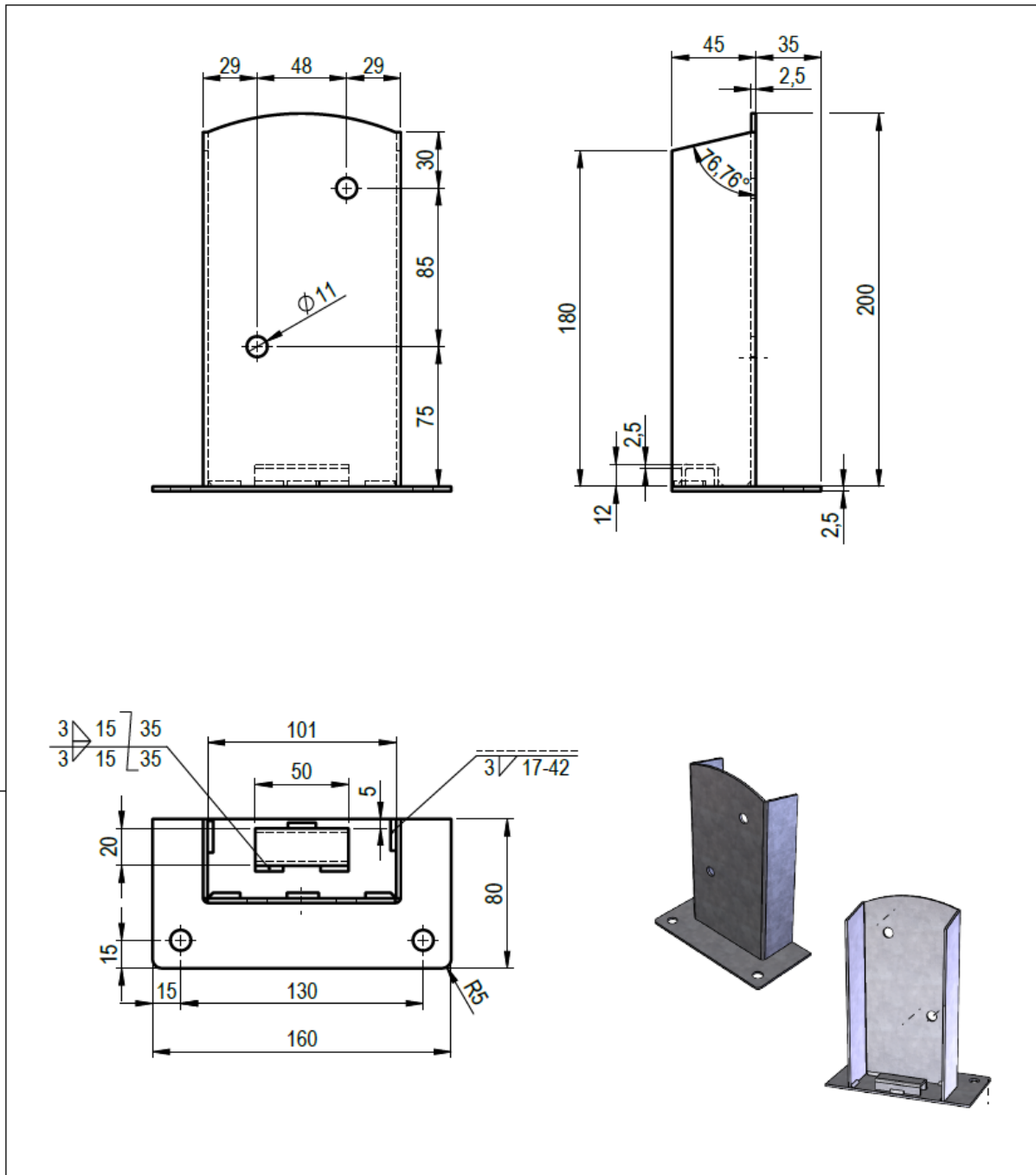



A	Grundplatte von 180 in 150 berichtigt, Loch in der Mitte von ø80 in ø100 berichtigt	03.08.16	E., Neuwirth	M. Theile		
Index	Änderung	Datum	Gez.	Gepr.		
 <p>B30 Stanz- und Umformtechnik BB Stanz- und Umformtechnik GmbH Nordhäuser Straße 42 06536 Berga Tel.: (+4934651) 29 88 0 Fax: (+4934651) 29 88 20 www.bb-berga.de</p>	Maßstab: 1:2,5	Werkstoff: Stahl				
	Gewicht: 1436,61 g	Oberfläche: verzinkt				
	Volumen: 182542,28 mm ³	Benennung: Aufschraubhülse ø 120x150x150x2,5				
		Datum	Name			
	Bearb.	02.03.16	E. Neuwirth			
Geprüft	02.03.16	A. Krause				
Für diese Zeichnung gelten die Bestimmungen über den Schutz für Urheberrecht!		Zeichnungs-Nr. BB00-0023-013		Blatt 1 von 1		
Allgemeintoleranzen nach DIN ISO 2768 - m		Ers.f. 59512025		SW		
<small>D:\BB Berga\BB00\BB00-0023-ASH... ...BB00-0023-013 Aufschraubhülse ABH 120x150x150x2,5 rund sldsw</small>		Ers.d.		A4		

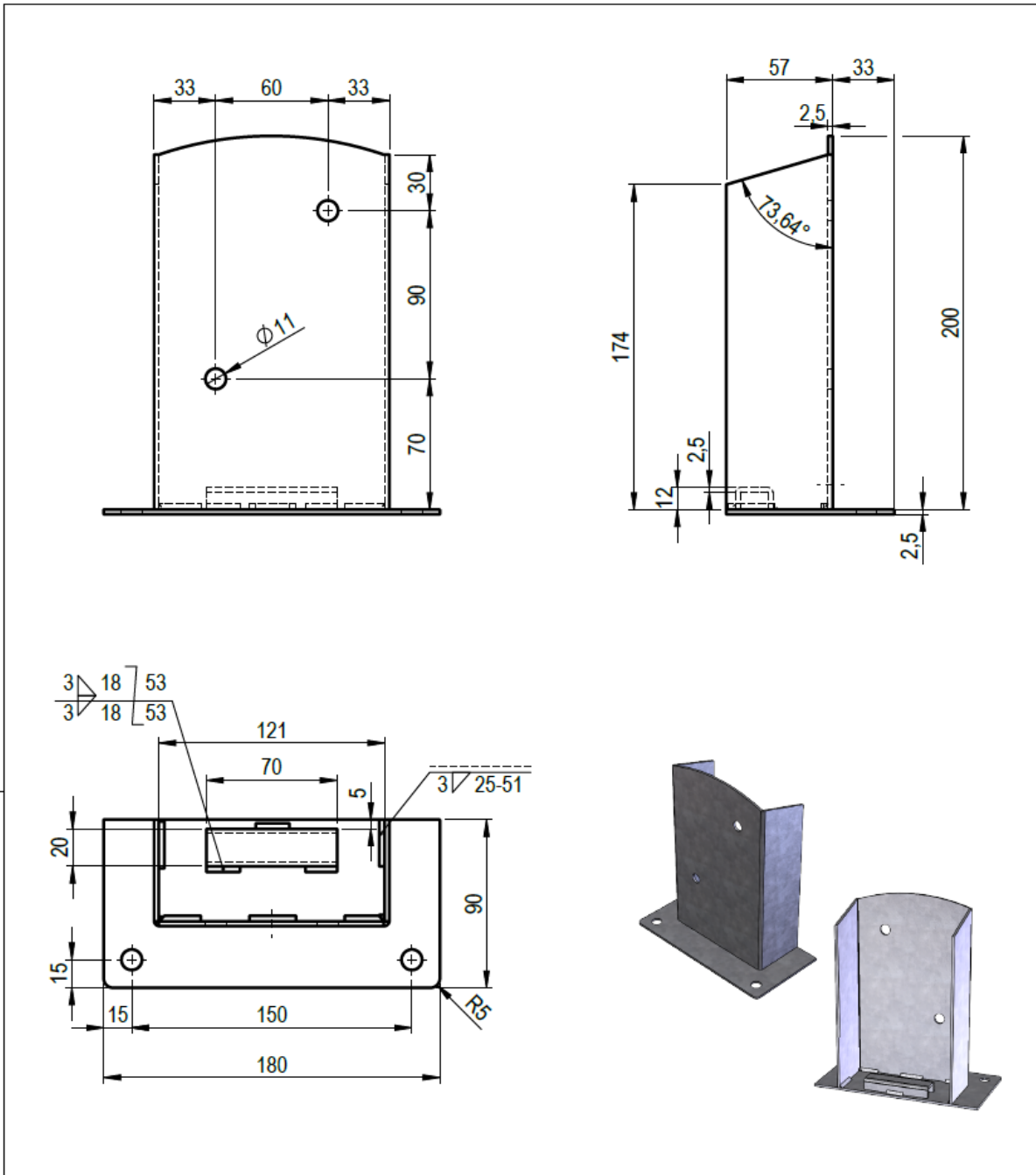


A	Bemaßung der Sicke nachgetragene Maß 15 und Maß 12, Toleranz bei $\phi 140$ entfernt	13.12.16	E. Neuwirth	S. Donat			
Index	Änderung	Datum	Gez.	Gepr.			
 BB Stanz- und Umformtechnik GmbH Nordhäuser Straße 42 06536 Berga Tel.: (+4934651) 29 88 0 Fax: (+4934651) 29 88 20 www.bb-berga.de	Maßstab: 1:2.5	Werkstoff: Stahl					
	Gewicht: 1832.98 g	Oberfläche: verzinkt					
	Volumen: 232906.69 mm ³	Benennung: Aufschraubhülse $\phi 140 \times 150 \times 180 \times 2,5$					
						Datum	Name
	Bearb.					02.03.16	E. Neuwirth
Geprüft	02.03.16	A. Krause	Zeichnungs-Nr. BB00-0023-014		Blatt 1 von 1		
Für diese Zeichnung gelten die Bestimmungen über den Schutz für Urheberrecht!		Ers.f. 59514025		Ers.d.	SW A4		
Allgemeintoleranzen nach DIN ISO 2768 - m <small>D:\BB Berga\BB00\BB00-0023-ASH... ...BB00-0023-014_Aufschraubhülse ASH 140x150x180x2,5 rund.sldprt</small>							



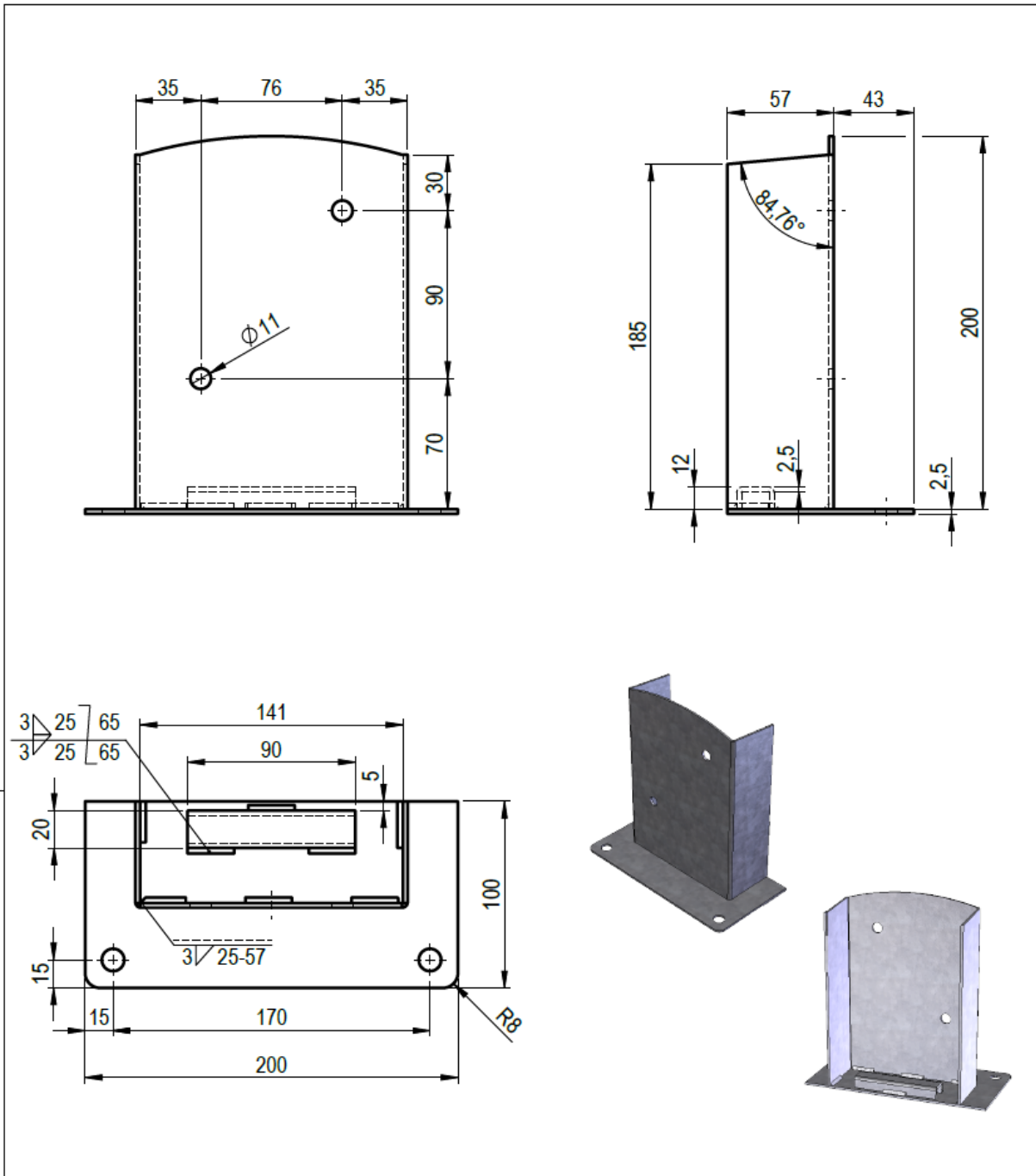



A	Position und Bemaßung der Schweißnähte berichtigt	08.12.16	E. Neuwirth	S. Donat			
Index	Änderung	Datum	Gez.	Gepr.			
 <p>B3 Stanz- und Umformtechnik</p> <p>BB Stanz- und Umformtechnik GmbH Nordhäuser Straße 42 06536 Berga Tel.: (+4934651) 29 88 0 Fax: (+4934651) 29 88 20 www.bb-berga.de</p>	Maßstab: 1:3	Werkstoff: Stahl					
	Gewicht: 998.89 g	Oberfläche: verzinkt					
	Volumen: 126923.20 mm ³	Benennung: Aufschraubhülse zweiteilig 101x45x2,5					
						Datum	Name
	Bearb.					06.12.16	E. Neuwirth
Geprüft	06.12.16	S. Donat	Zeichnungs-Nr. BB00-0045-001		Blatt 1 von 1		
Für diese Zeichnung gelten die Bestimmungen über den Schutz für Urheberrecht!		Zeichnungs-Nr. BB00-0045-001		SW			
Allgemeintoleranzen nach DIN ISO 2768 - m		BB-Nr 596 101 25	Ers.d.	A4			

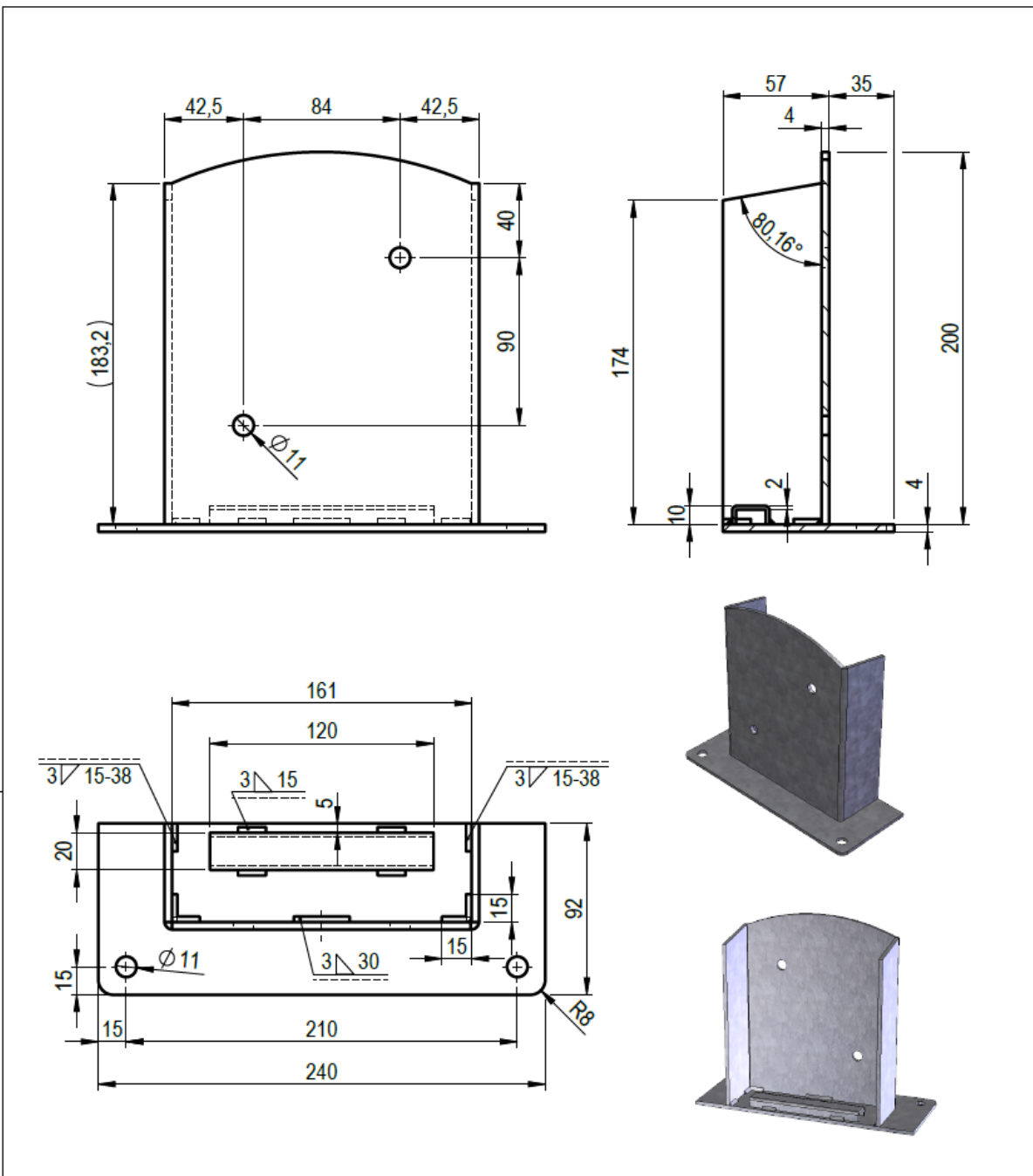


A	Position und Bemaßung der Schweißnähte berichtigt	08.12.16	E. Neuwirth	S. Donat
Index	Änderung	Datum	Gez.	Gepr.

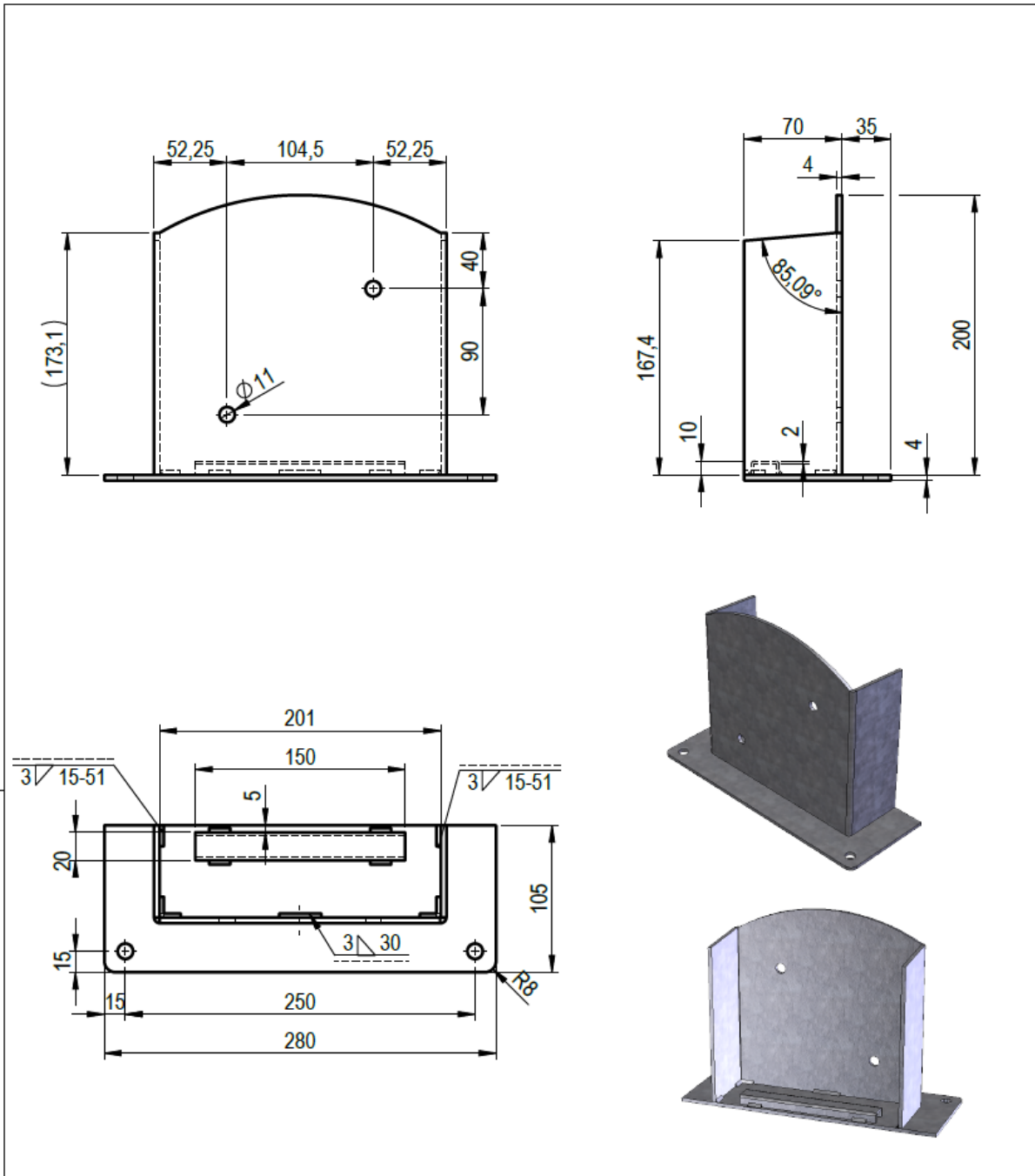
<p>B30 Stanz- und Umformtechnik</p> <p>BB Stanz- und Umformtechnik GmbH Nordhäuser Straße 42 06536 Berga Tel.: (+4934651) 29 88 0 Fax: (+4934651) 29 88 20 www.bb-berga.de</p> <p>Allgemeintoleranzen nach DIN ISO 2768 - m</p>	Maßstab: 1:3 Gewicht: 1240.46 g Volumen: 157618.78 mm ³	Werkstoff: Stahl Oberfläche: verzinkt										
	<table border="1"> <thead> <tr> <th></th> <th>Datum</th> <th>Name</th> </tr> </thead> <tbody> <tr> <td>Bearb.</td> <td>06.12.16</td> <td>E. Neuwirth</td> </tr> <tr> <td>Geprüft</td> <td>06.12.16</td> <td>S. Donat</td> </tr> </tbody> </table>		Datum	Name	Bearb.	06.12.16	E. Neuwirth	Geprüft	06.12.16	S. Donat	Benennung: Aufschraubhülse zweiteilig 121x57x2,5	
		Datum	Name									
	Bearb.	06.12.16	E. Neuwirth									
	Geprüft	06.12.16	S. Donat									
Für diese Zeichnung gelten die Bestimmungen über den Schutz für Urheberrecht!	Zeichnungs-Nr. BB00-0045-0002	Blatt 1 von 1 SW										
D:\BB Berga\BB00\BB00-0045-ASH 2-teilig... ...BB00-0045-002 ASH-zweiteilig 121x57x2,5.sldprt	BB-Nr. 596 121 25	Ers. d.	A4									
Allgemeintoleranzen nach DIN ISO 2768 - m												




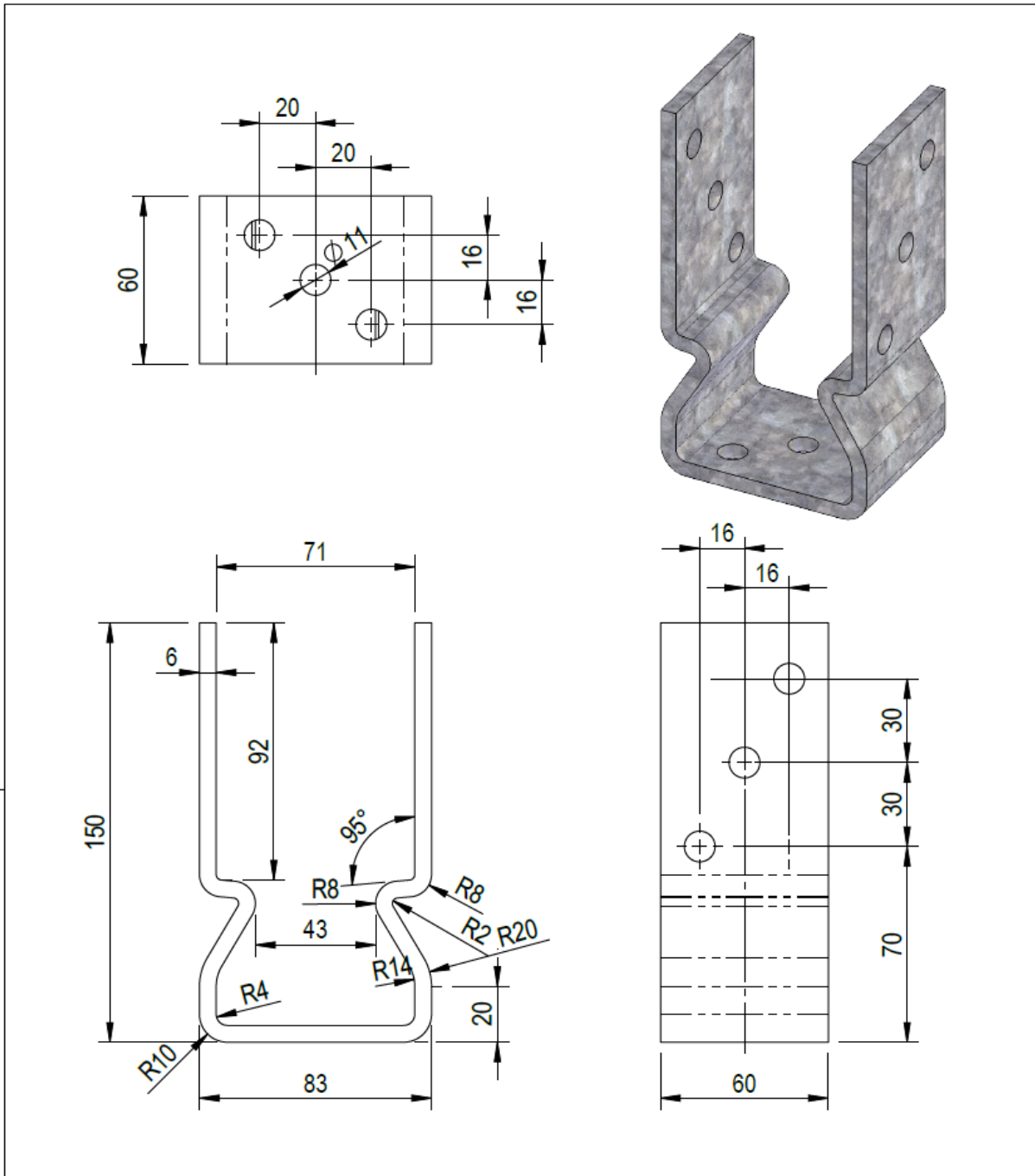
A		Bemaßung der Schweißnähte berichtigt		08.12.16	E. Neuwirth	S. Donat
Index	Änderung			Datum	Gez.	Gepr.
 <p>B30 Stanz- und Umformtechnik</p> <p>BB Stanz- und Umformtechnik GmbH Nordhäuser Straße 42 06536 Berga Tel.: (+4934651) 29 88 0 Fax: (+4934651) 29 88 20 www.bb-berga.de</p>	Maßstab: 1:3		Werkstoff: Stahl			
	Gewicht: 1418.88 g		Oberfläche: verzinkt			
	Volumen: 180289.09 mm ³		Benennung:			
		Datum	Name	Aufschraubhülse zweiteilig 141x57x2,5		
	Bearb.	06.12.16	E. Neuwirth			
Geprüft	06.12.16	S. Donat	Zeichnungs-Nr. BB00-0045-003			
Für diese Zeichnung gelten die Bestimmungen über den Schutz für Urheberrecht!			Blatt 1 von 1		SW	
Allgemeintoleranzen nach DIN ISO 2768 - m		D:\BB Berga\BB00\BB00-0045-ASH 2-teilig... ...BB00-0045-003 ASH-zweitlig 141x57x2,5.widrw		BB-Nr. 596 141 25	Ers.d.	A4



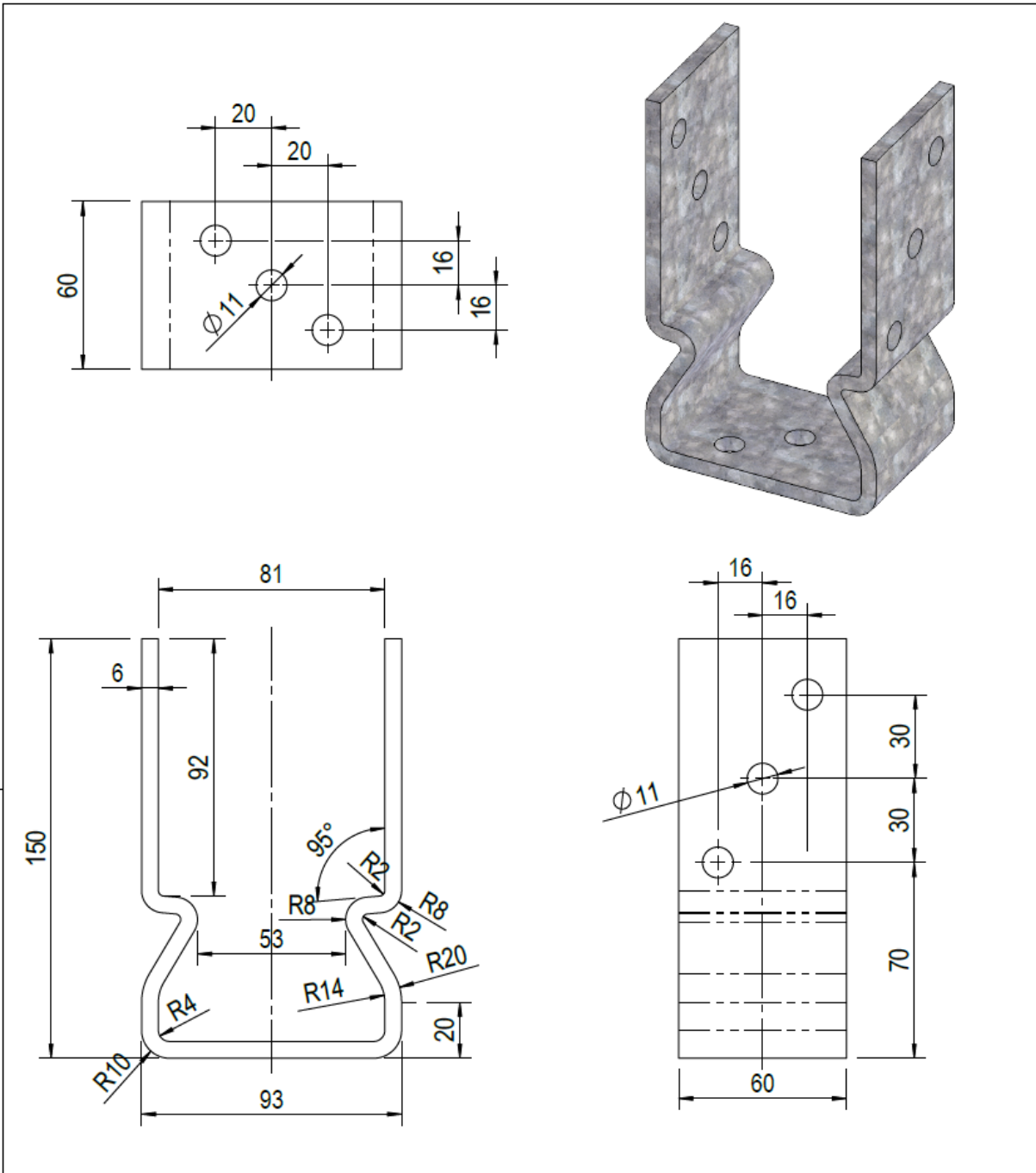
Index	Änderung	Datum	Gez.	Gepr.									
 Stanz- und Umformtechnik BB Stanz- und Umformtechnik GmbH Nordhäuser Straße 42 06536 Berga Tel.: (+4934651) 29 88 0 Fax: (+4934651) 29 88 20 www.bb-berga.de	Maßstab: 1:3	Werkstoff: Stahl											
	Gewicht: 2369.48 g	Oberfläche: verzinkt											
	Volumen: 301077.83 mm ³	Benennung: Aufsraubhülse zweiteilig 161x57x4,0											
	<table border="1"> <thead> <tr> <th></th> <th>Datum</th> <th>Name</th> </tr> </thead> <tbody> <tr> <td>Bearb.</td> <td>06.12.16</td> <td>E. Neuwirth</td> </tr> <tr> <td>Geprüft</td> <td>06.12.16</td> <td>S. Donat</td> </tr> </tbody> </table>		Datum	Name	Bearb.	06.12.16	E. Neuwirth	Geprüft	06.12.16	S. Donat	Zeichnungs-Nr. BB00-0045-004		
		Datum	Name										
Bearb.	06.12.16	E. Neuwirth											
Geprüft	06.12.16	S. Donat											
Für diese Zeichnung gelten die Bestimmungen über den Schutz für Urheberrecht! <small>D:\BB Berga\BB00\BB00-0045-ASH 2-teilig... ...BB00-0045-004 ASH-zweitlig 161x57x4,0.sldprt</small>		Blatt 1 von 1	SW	A4									
Allgmeintoleranzen nach DIN ISO 2768 - m	BB-Nr. 596 161 40	Ers.d.											



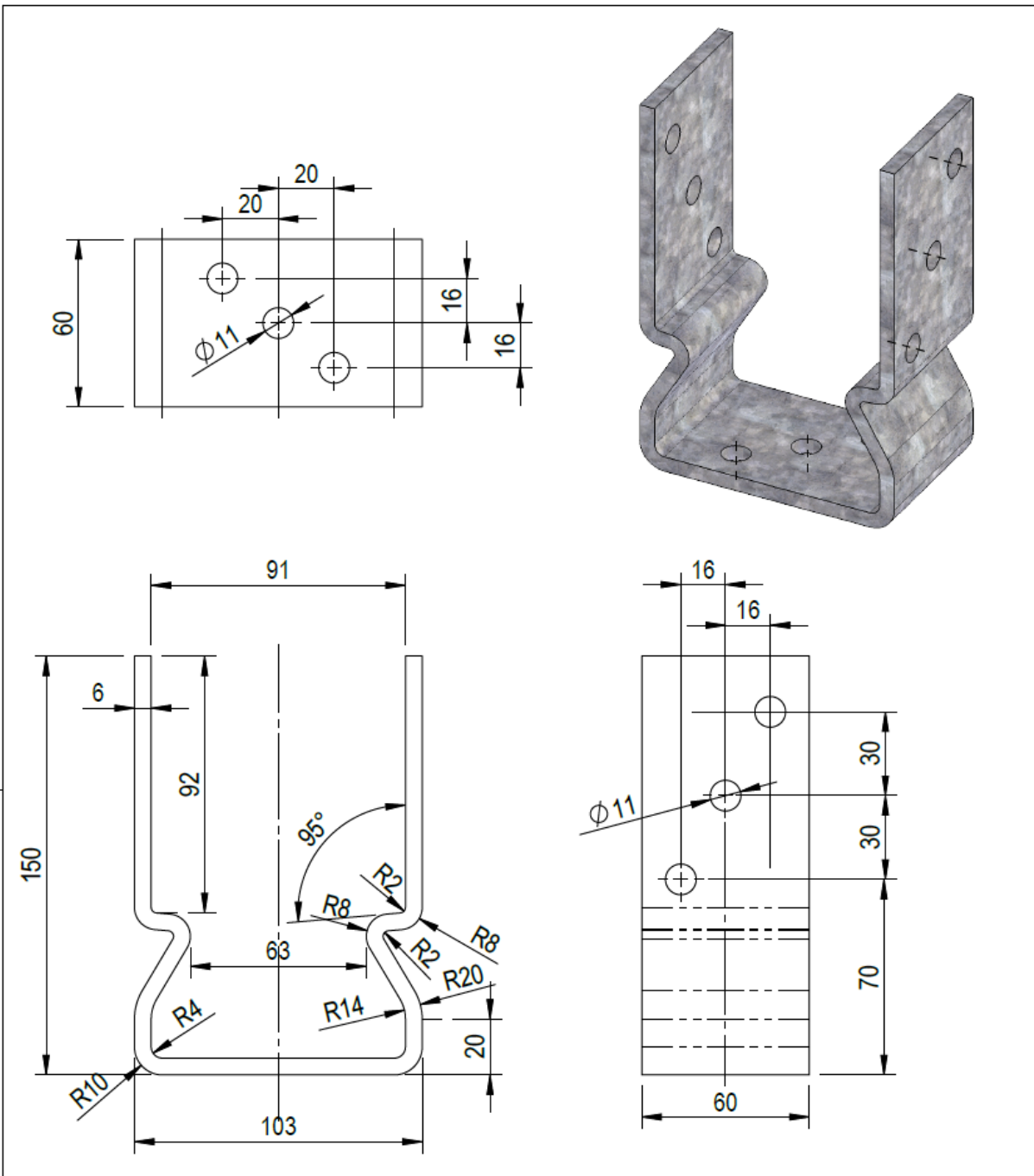
Index	Änderung	Datum	Gez.	Gepr.									
 Stanz- und Umformtechnik BB Stanz- und Umformtechnik GmbH Nordhäuser Straße 42 06536 Berga Tel.: (+4934651) 29 88 0 Fax: (+4934651) 29 88 20 www.bb-berga.de	Maßstab: 1:4 Gewicht: 2950.26 g Volumen: 374874.83 mm ³	Werkstoff: Stahl Oberfläche: verzinkt	Benennung: Aufschraubhülse zweiteilig 201x70x4,0										
	<table border="1"> <thead> <tr> <th>Bearb.</th> <th>Datum</th> <th>Name</th> </tr> </thead> <tbody> <tr> <td>Geprüft</td> <td>06.12.16</td> <td>E. Neuwirth</td> </tr> <tr> <td></td> <td>06.12.16</td> <td>S. Donat</td> </tr> </tbody> </table>	Bearb.	Datum	Name	Geprüft	06.12.16	E. Neuwirth		06.12.16	S. Donat	Zeichnungs-Nr. BB00-0045-005		
	Bearb.	Datum	Name										
Geprüft	06.12.16	E. Neuwirth											
	06.12.16	S. Donat											
Für diese Zeichnung gelten die Bestimmungen über den Schutz für Urheberrecht! <small>D:\BB Berga\BB00\BB00-0045-ASH 2-teilig... ...BB00-0045-005 ASH-zweitlg 201704.0.aldsw</small>		BB-Nr. 596 201 40 Ers.d.	Blatt 1 von 1 SW A4										
Allgemeintoleranzen nach DIN ISO 2768 - m													




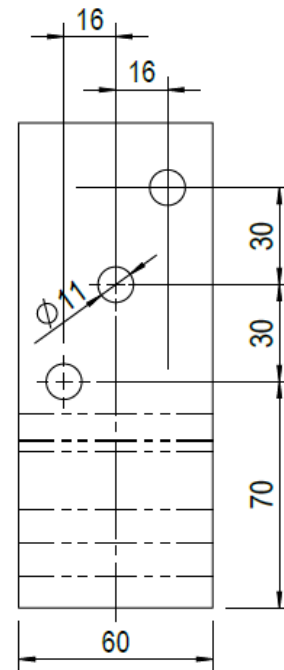
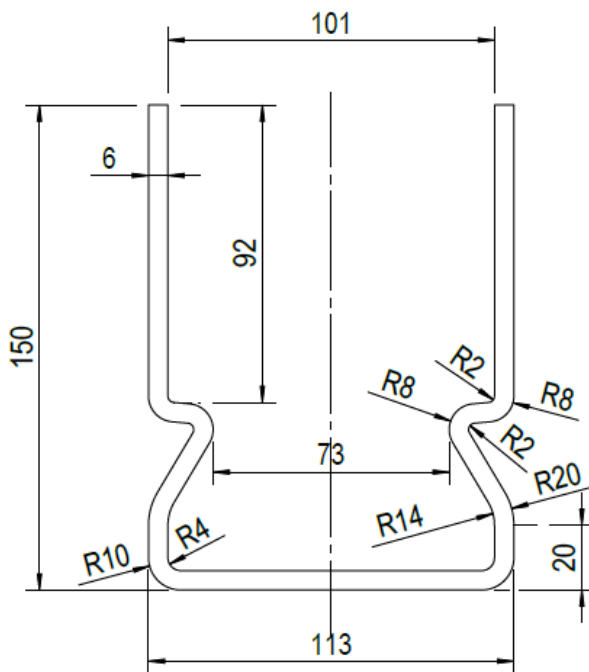
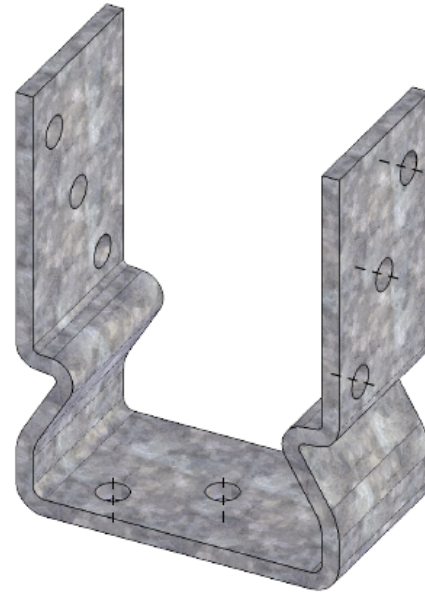
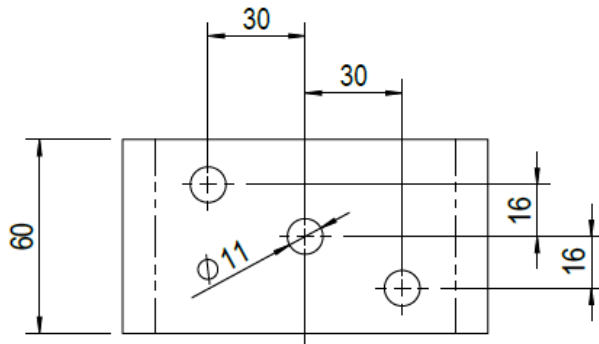
B	Berichtigung: Maß 43 war 39	22.02.17	E. Neuwirth	S. Donat
A	überarbeitet	06.12.16	E. Neuwirth	S. Donat
Index	Änderung	Datum	Gez.	Gepr.
 <p>Stanz- und Umformtechnik BB Stanz- und Umformtechnik GmbH Nordhäuser Straße 42 06536 Berga Tel.: (+4934651) 29 88 0 Fax: (+4934651) 29 88 20 www.bb-berga.de</p>	Maßstab: 1:2	Werkstoff: Stahl	Benennung: Pfostenträger mit Sicke aufdübelbar 71x150x60	
	Gewicht: 1066.76 g	Oberfläche: verzinkt		
	Volumen: 135547.23 mm ³			
		Datum	Name	Zeichnungs-Nr.
	Bearb. 05.07.05	F. Kollmar	525 32 0000	SW
	Geprüft			A4
	Für diese Zeichnung gelten die Bestimmungen über den Schutz für Urheberrecht!			
Allgemeintoleranzen nach DIN ISO 2768 - m	D:\BB Berga\Pfostenträge\Pfostenträger mit Sicke\... \PFTR 71x150x60.slddw		BB-Nr. 52507160	Ers.d.



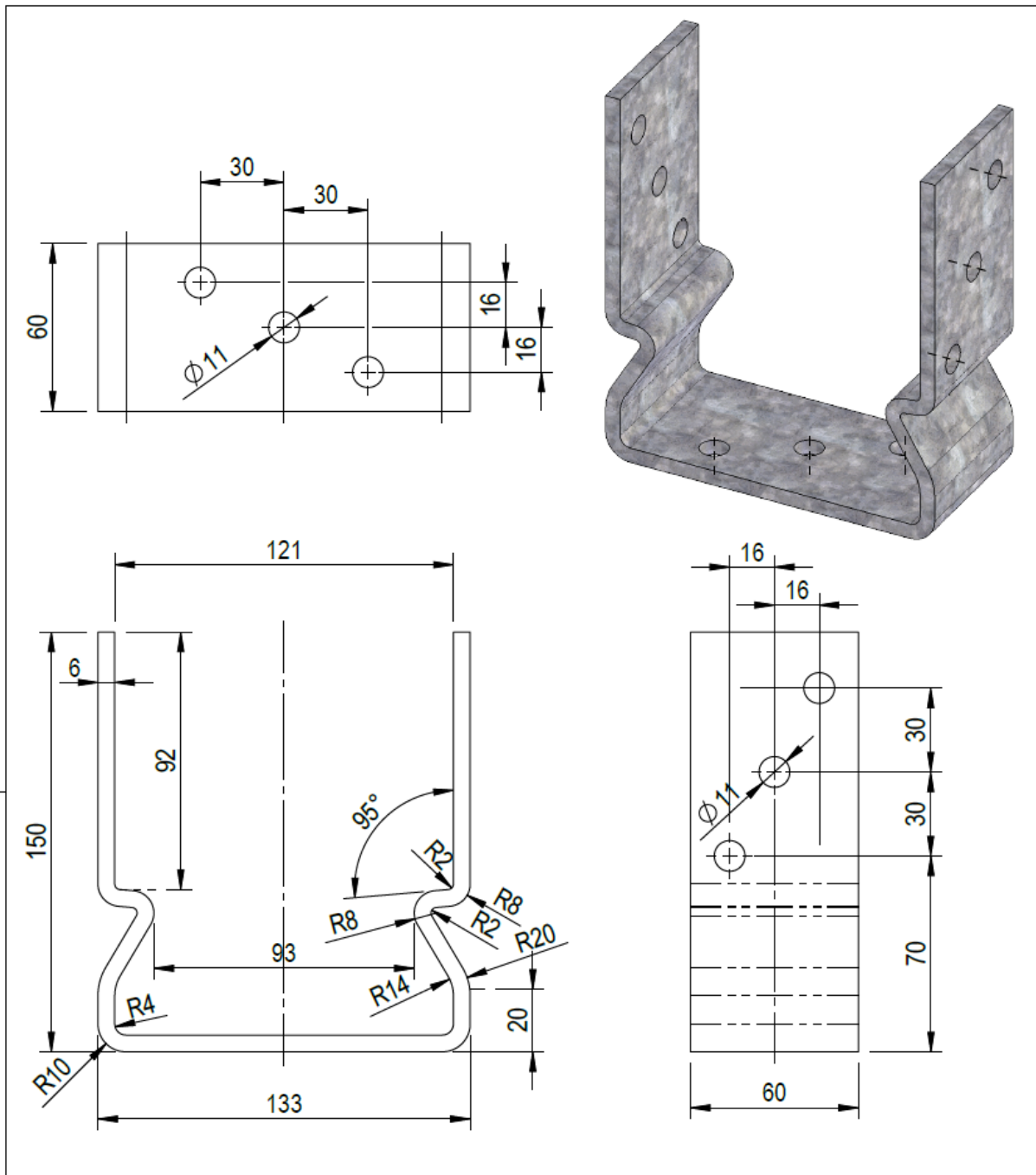
C	Berichtigung: Maß 53 hinzugefügt	22.02.17	E. Neuwirth	S. Donat												
B	überarbeitet	06.12.16	E. Neuwirth	S. Donat												
A	Abstand der Löcher mit 16mm war 19 mm bzw. 16,5mm	04.11.15	E. Neuwirth	A. Krause												
Index	Änderung	Datum	Gez.	Gepr.												
 Stanz- und Umformtechnik BB Stanz- und Umformtechnik GmbH Nordhäuser Straße 42 06536 Berga Tel.: (+4934651) 29 88 0 Fax: (+4934651) 29 88 20 www.bb-berga.de	Maßstab: 1:2	Werkstoff: Stahl														
	Gewicht: 1095.09 g	Oberfläche: verzinkt														
	Volumen: 139147.23 mm ³	Benennung: Pfostenträger mit Sicke aufdübelbar 81x150x60														
	<table border="1"> <thead> <tr> <th></th> <th>Datum</th> <th>Name</th> </tr> </thead> <tbody> <tr> <td>Bearb.</td> <td>05.07.05</td> <td>F. Kollmar</td> </tr> <tr> <td>Geprüft</td> <td></td> <td></td> </tr> <tr> <td></td> <td></td> <td></td> </tr> </tbody> </table>		Datum	Name	Bearb.	05.07.05	F. Kollmar	Geprüft						Zeichnungs-Nr. 525 32 0001		
		Datum	Name													
Bearb.	05.07.05	F. Kollmar														
Geprüft																
Für diese Zeichnung gelten die Bestimmungen über den Schutz für Urheberrecht!		Blatt 1 von 1														
Allgemeintoleranzen nach DIN ISO 2768 - m		SW														
D:\BB Berga\Pfostenträger\Pfostenträger mit Sicke... ...UFTR 81x150x60.dwg		BB-Nr. 52508160	Ers.d.	A4												




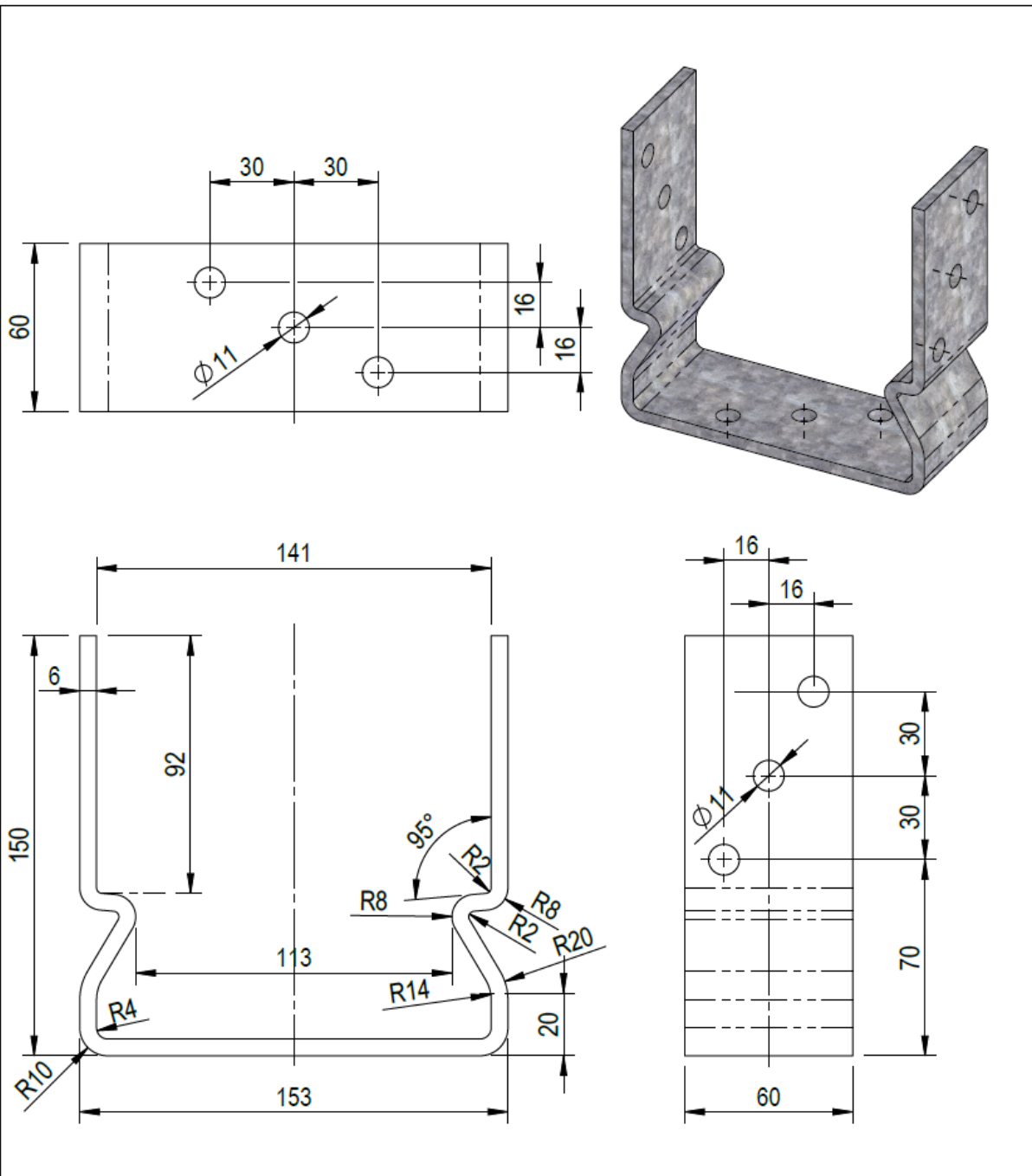
B	berichtigung: Maß 63 hinzugefügt	22.02.17	E. Neuwirth	S. Neuwirth												
A	überarbeitet	06.12.16	E. Neuwirth	S. Donat												
Index	Änderung	Datum	Gez.	Gepr.												
 <p>Stanz- und Umformtechnik BB Stanz- und Umformtechnik GmbH Nordhäuser Straße 42 06536 Berga Tel.: (+4934651) 29 88 0 Fax: (+4934651) 29 88 20 www.bb-berga.de</p>	Maßstab: 1:2	Werkstoff: Stahl														
	Gewicht: 1123.42 g	Oberfläche: verzinkt														
	Volumen: 142747.23 mm ³	Benennung: Pfostenträger mit Sicke aufdübelbar														
	<table border="1"> <thead> <tr> <th></th> <th>Datum</th> <th>Name</th> </tr> </thead> <tbody> <tr> <td>Bearb.</td> <td>05.07.05</td> <td>F. Kollmar</td> </tr> <tr> <td>Geprüft</td> <td></td> <td></td> </tr> <tr> <td></td> <td></td> <td></td> </tr> </tbody> </table>		Datum	Name	Bearb.	05.07.05	F. Kollmar	Geprüft						91x150x60		
		Datum	Name													
Bearb.	05.07.05	F. Kollmar														
Geprüft																
Für diese Zeichnung gelten die Bestimmungen über den Schutz für Urheberrecht!	Zeichnungs-Nr. 525 32 0002	Blatt 1 von 1														
Allgemeintoleranzen nach DIN ISO 2768 - m	BB-Nr.	Ers.d.	SW A4													



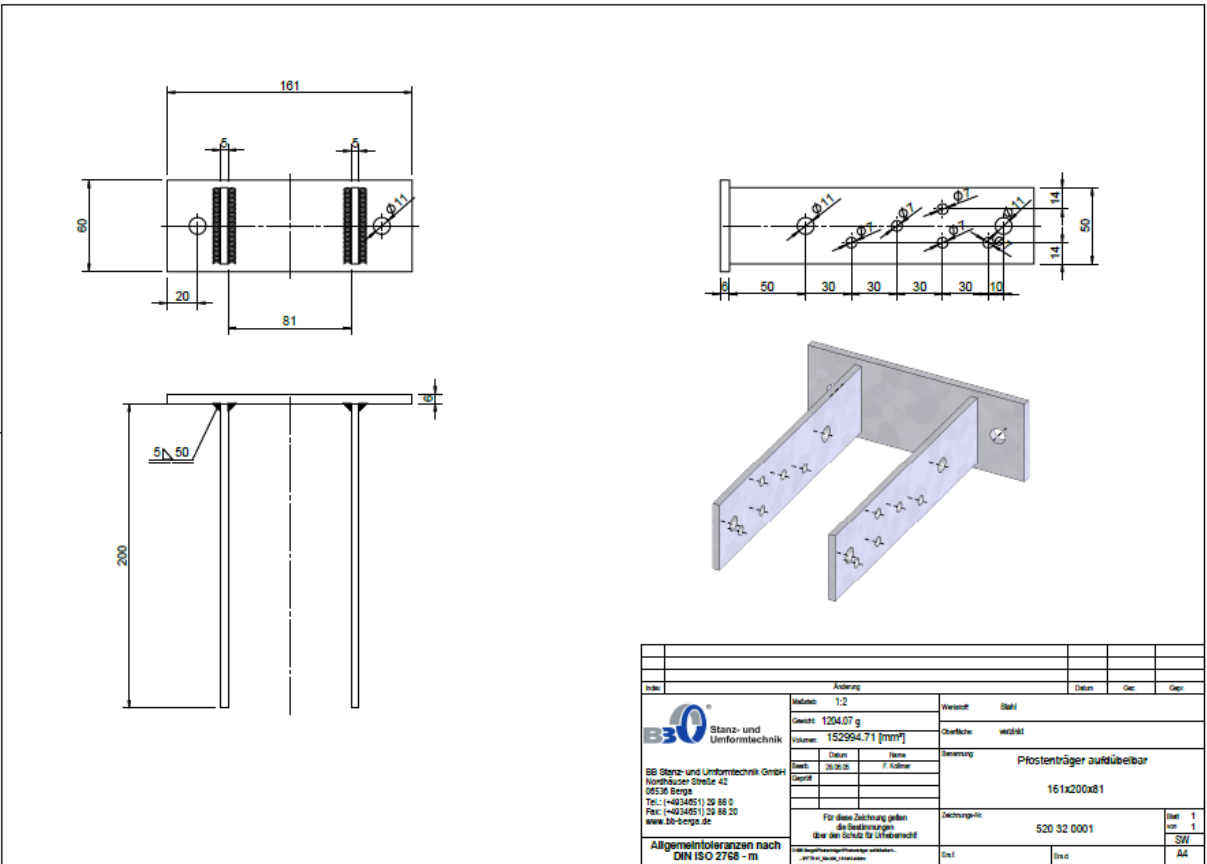
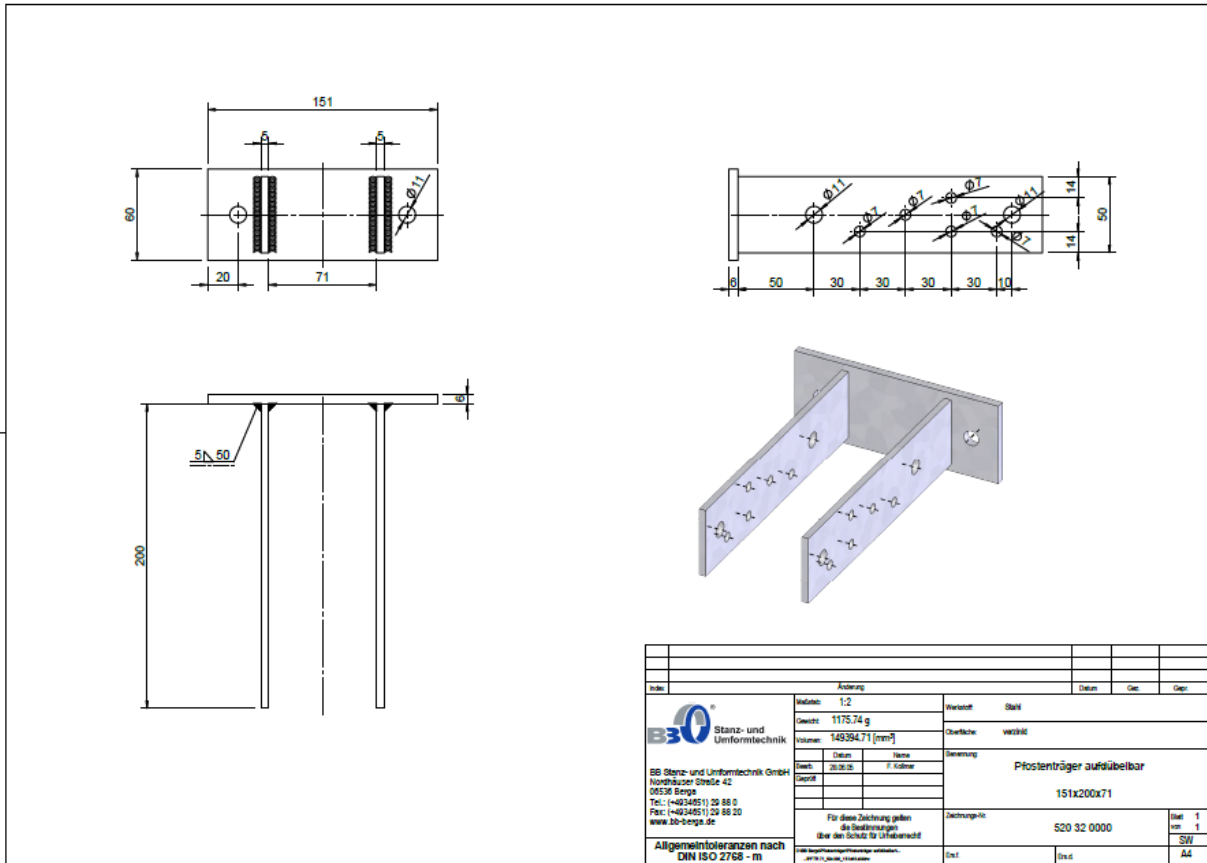
B	Berichtigung: Maß 73 hinzugefügt	22.02.17	E. Neuwirth	S. Donat		
A	überarbeitet	06.12.16	E. Neuwirth	S. Donat		
Index	Änderung	Datum	Gez.	Gepr.		
 <p>B30 Stanz- und Umformtechnik BB Stanz- und Umformtechnik GmbH Nordhäuser Straße 42 06536 Berga Tel.: (+4934651) 29 88 0 Fax: (+4934651) 29 88 20 www.bb-berga.de</p>	Maßstab: 1:2	Werkstoff: Stahl				
	Gewicht: 1151.75 g	Oberfläche: verzinkt				
	Volumen: 146347.23 mm ³	Benennung: Pfosten Träger mit Sicke aufdübelbar 101x150x60				
	Bearb. 05.07.05					Name F. Kollmar
	Geprüft					
Für diese Zeichnung gelten die Bestimmungen über den Schutz für Urheberrecht!		Zeichnungs-Nr. 525 32 0003	Blatt 1 von 1			
Allgemeintoleranzen nach DIN ISO 2768 - m		BB-Nr. 52510160	Ers.d.	SW A4		

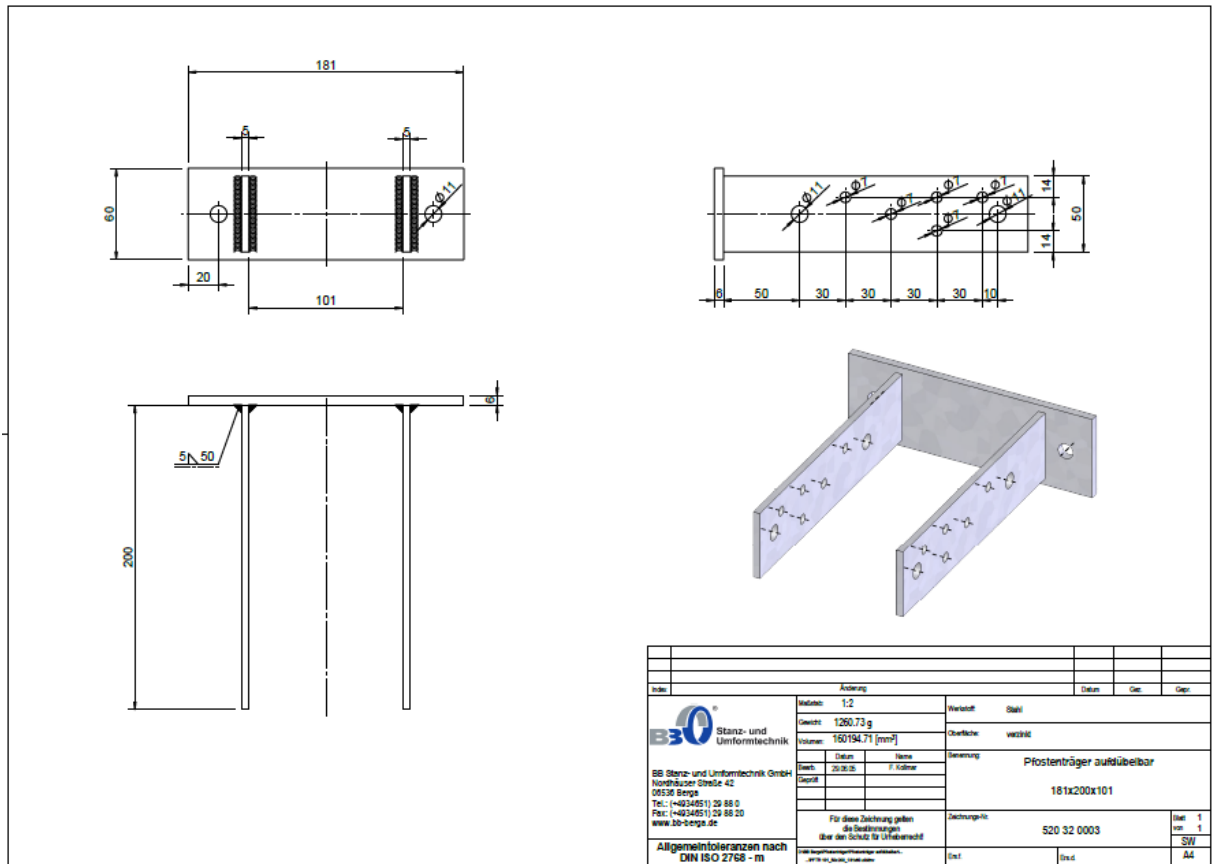
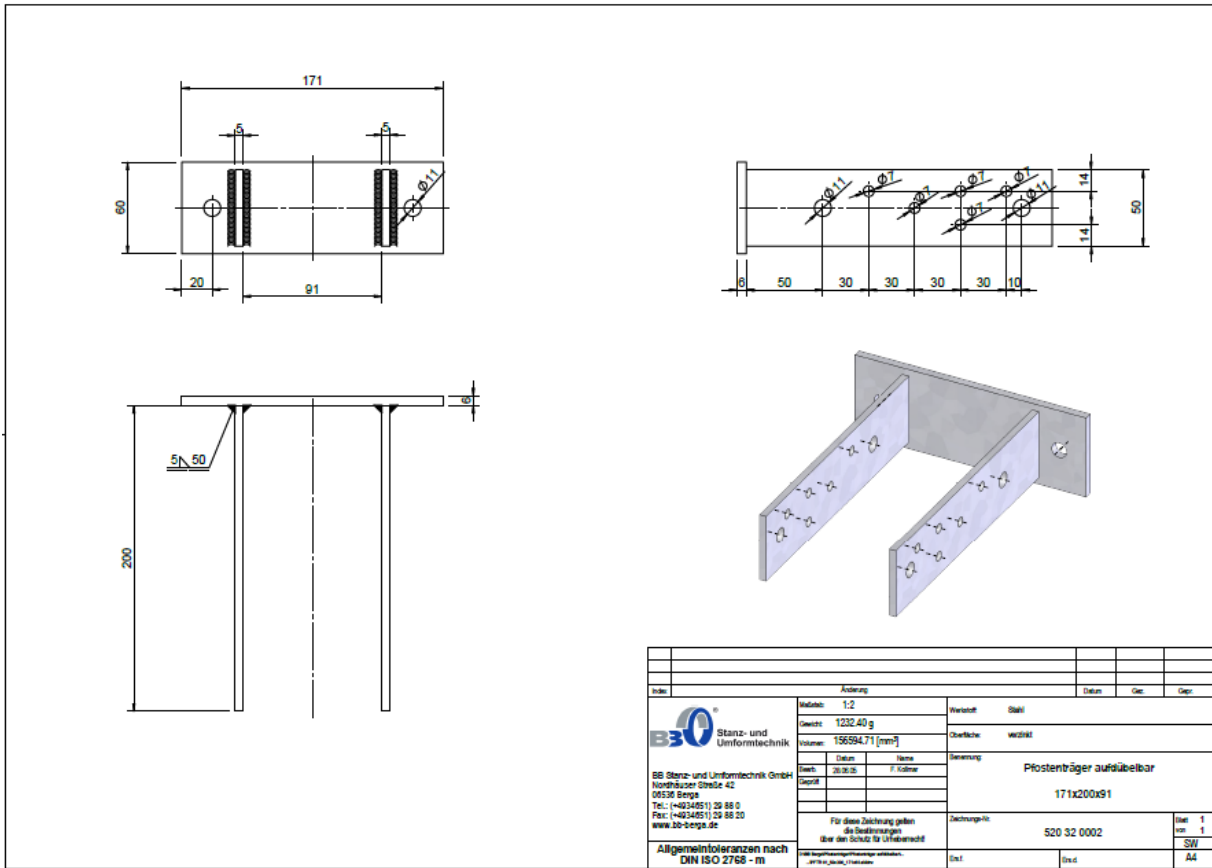


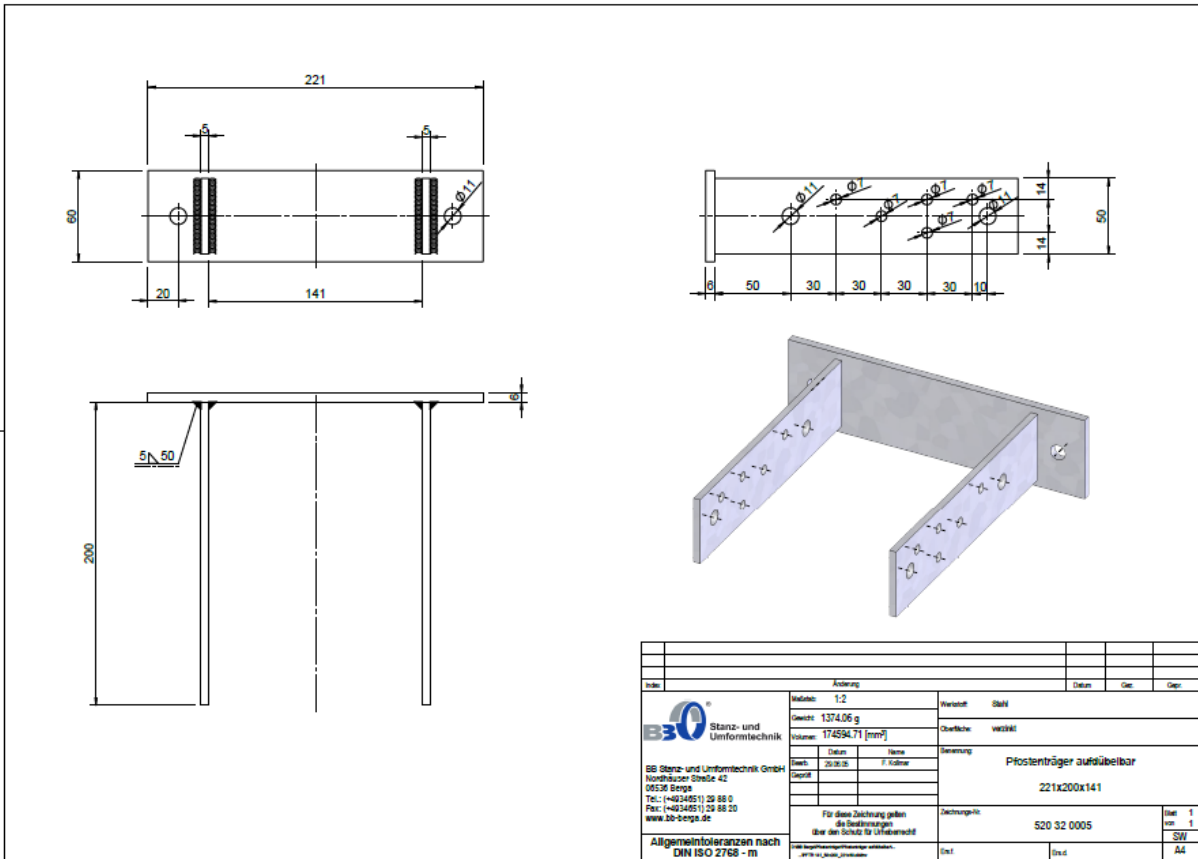
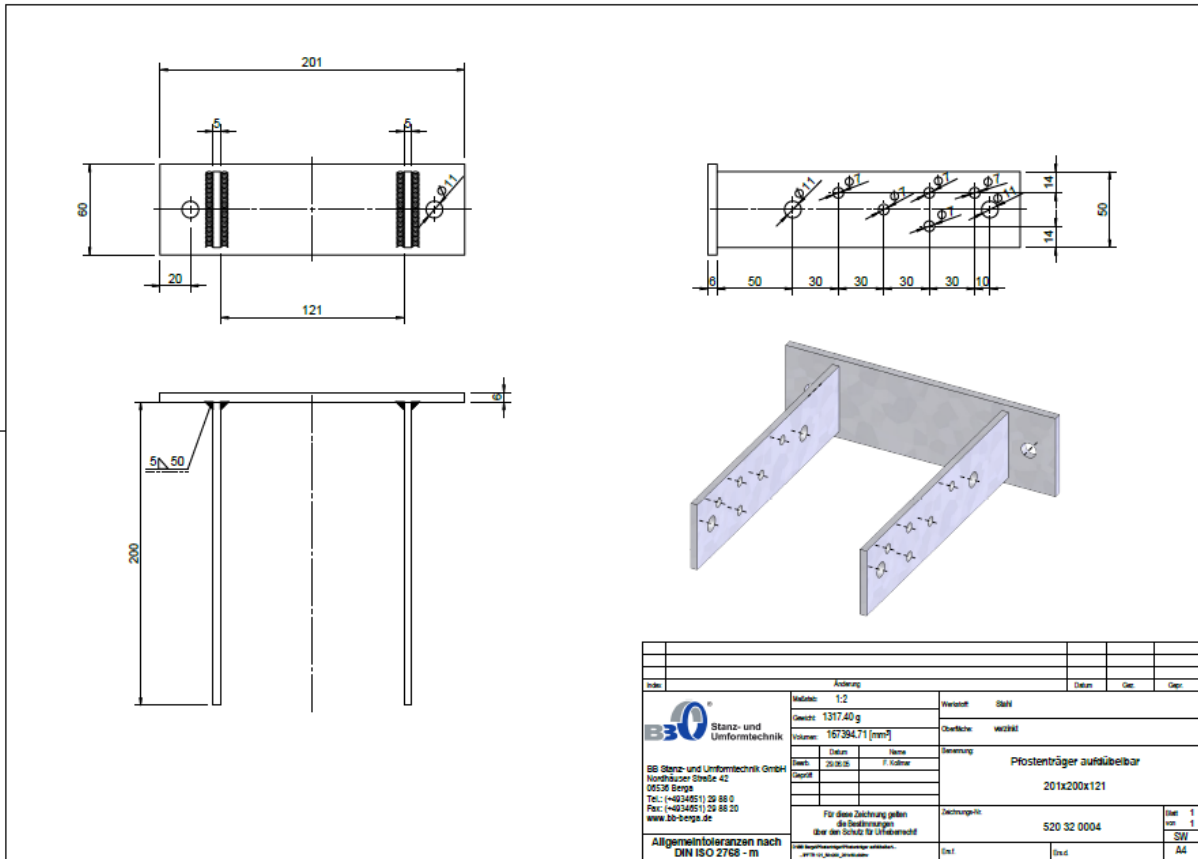
B	Berichtigung: Maß 93 hinzugefügt	22.02.17	E. Neuwirth	S. Donat	
A	überarbeitet	06.12.16	E. Neuwirth	S. Donat	
Index	Änderung	Datum	Gez.	Gepr.	
 <p>B30 Stanz- und Umformtechnik BB Stanz- und Umformtechnik GmbH Nordhäuser Straße 42 06536 Berga Tel.: (+4934651) 29 88 0 Fax: (+4934651) 29 88 20 www.bb-berga.de</p>	Maßstab: 1:2	Werkstoff: Stahl			
	Gewicht: 1208.42 g	Oberfläche: verzinkt			
	Volumen: 153547.23 mm ³	Benennung: Pfostenträger mit Sicke aufdübelbar			
		121x150x60			
		Zeichnungs-Nr. 525 32 0004			
	Datum Name Bearb. 05.07.05 F. Kollmar Geprüft		Blatt 1 von 1		
Für diese Zeichnung gelten die Bestimmungen über den Schutz für Urheberrecht!		SW			
Allgemeintoleranzen nach DIN ISO 2768 - m		BB-Nr. 52512160 Ers.d.		A4	

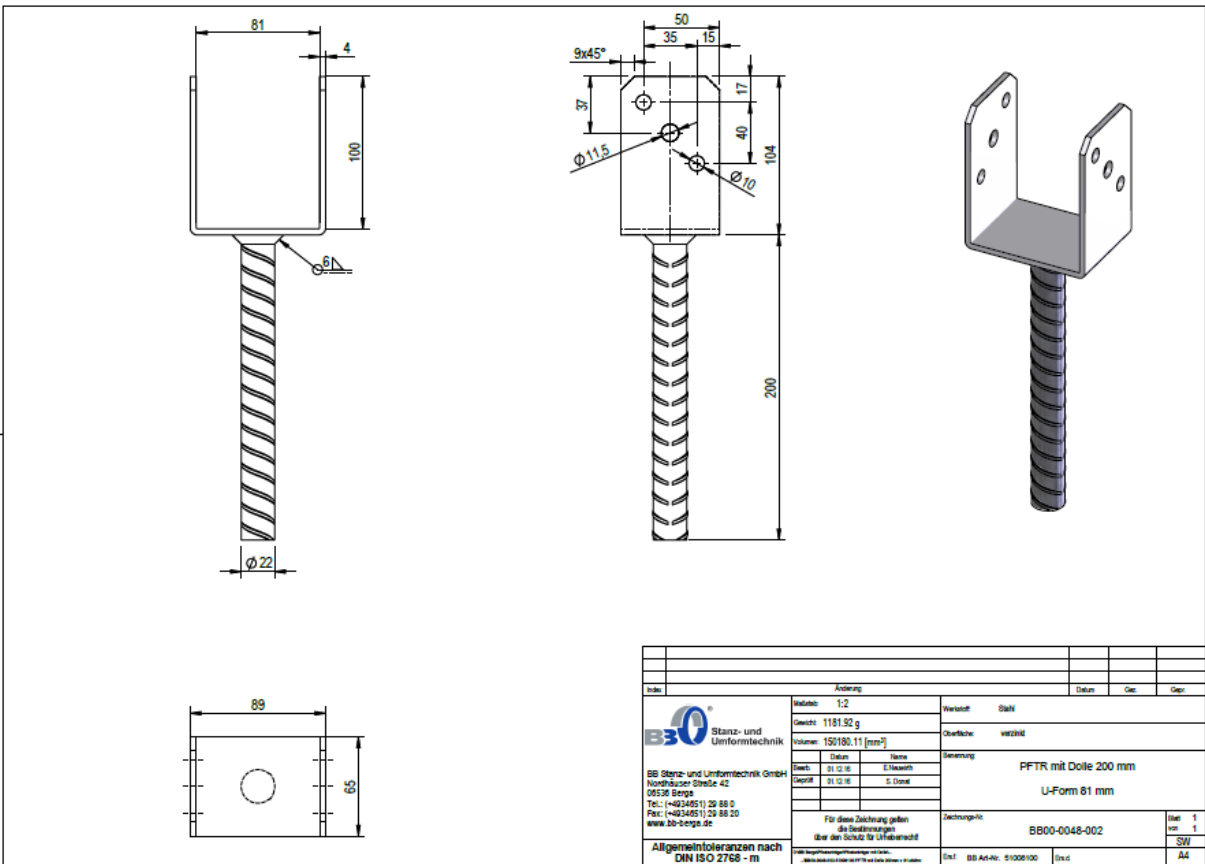
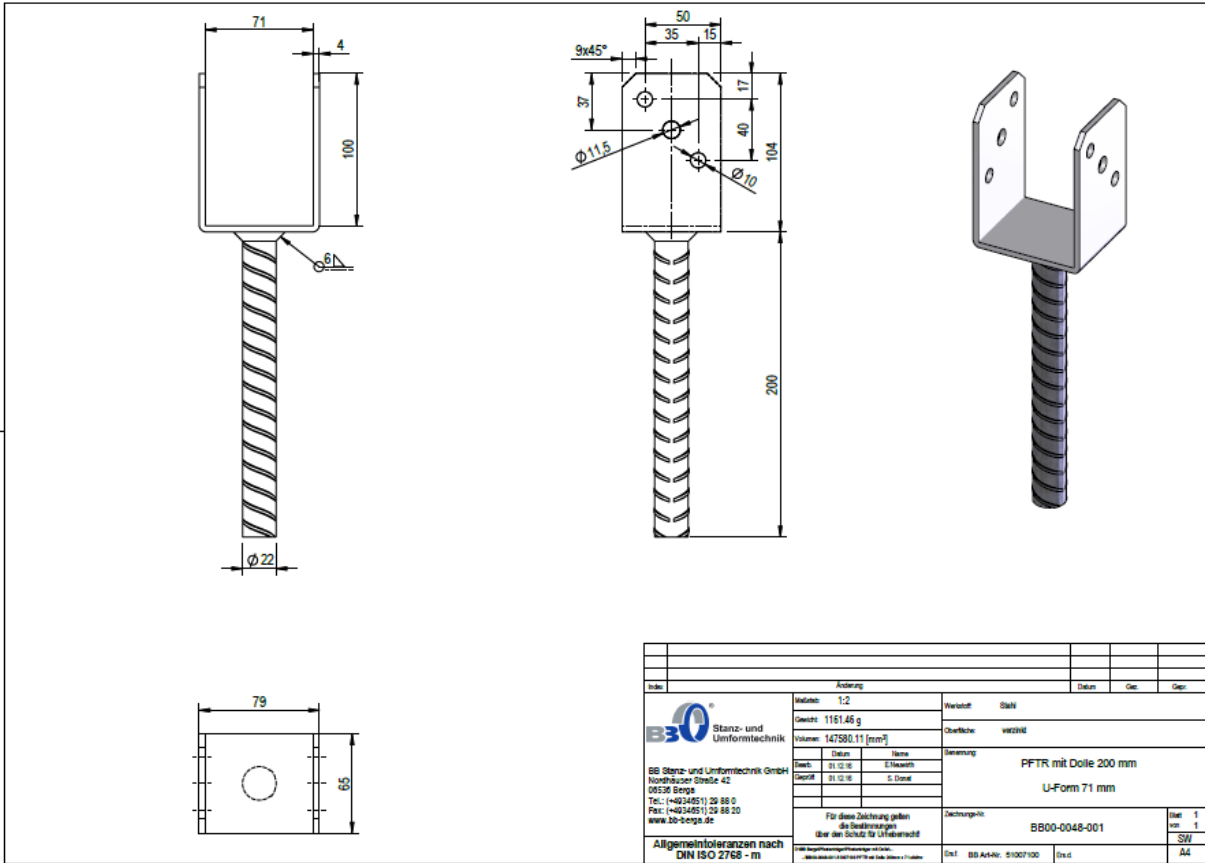


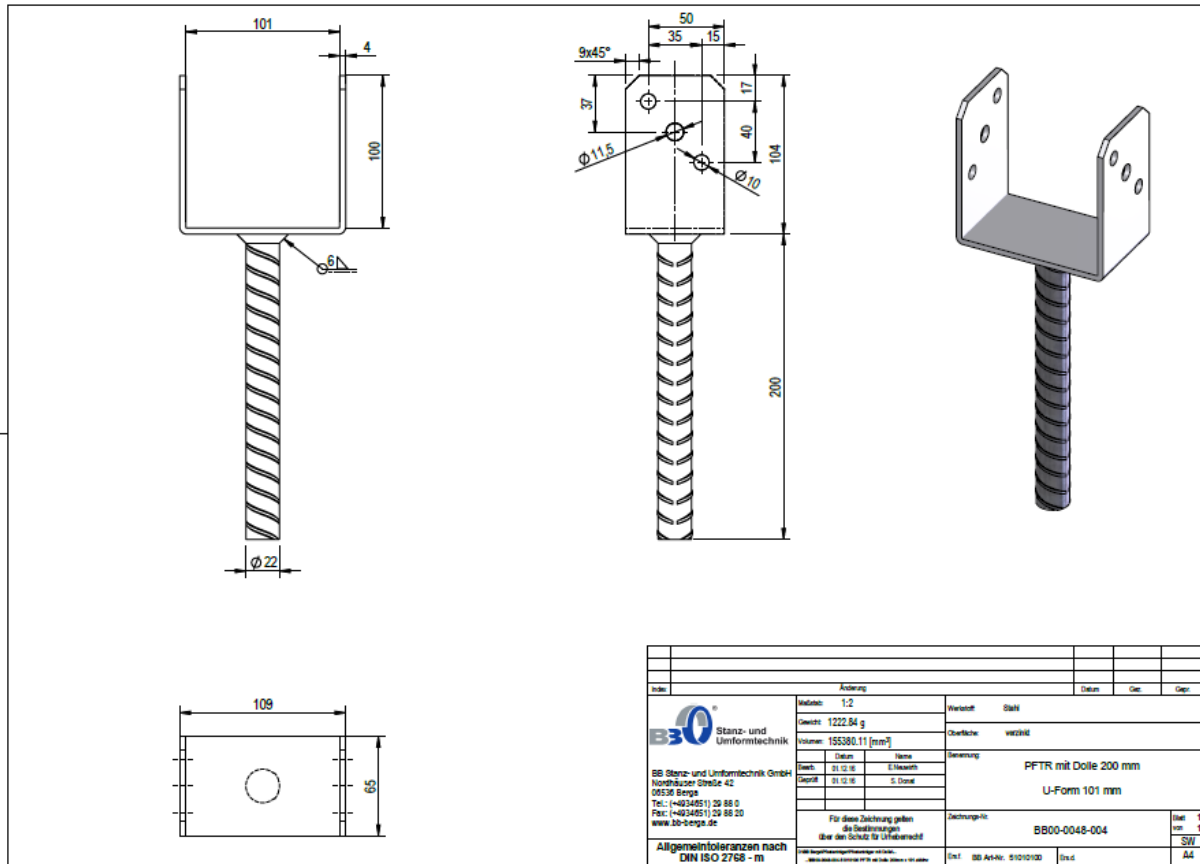
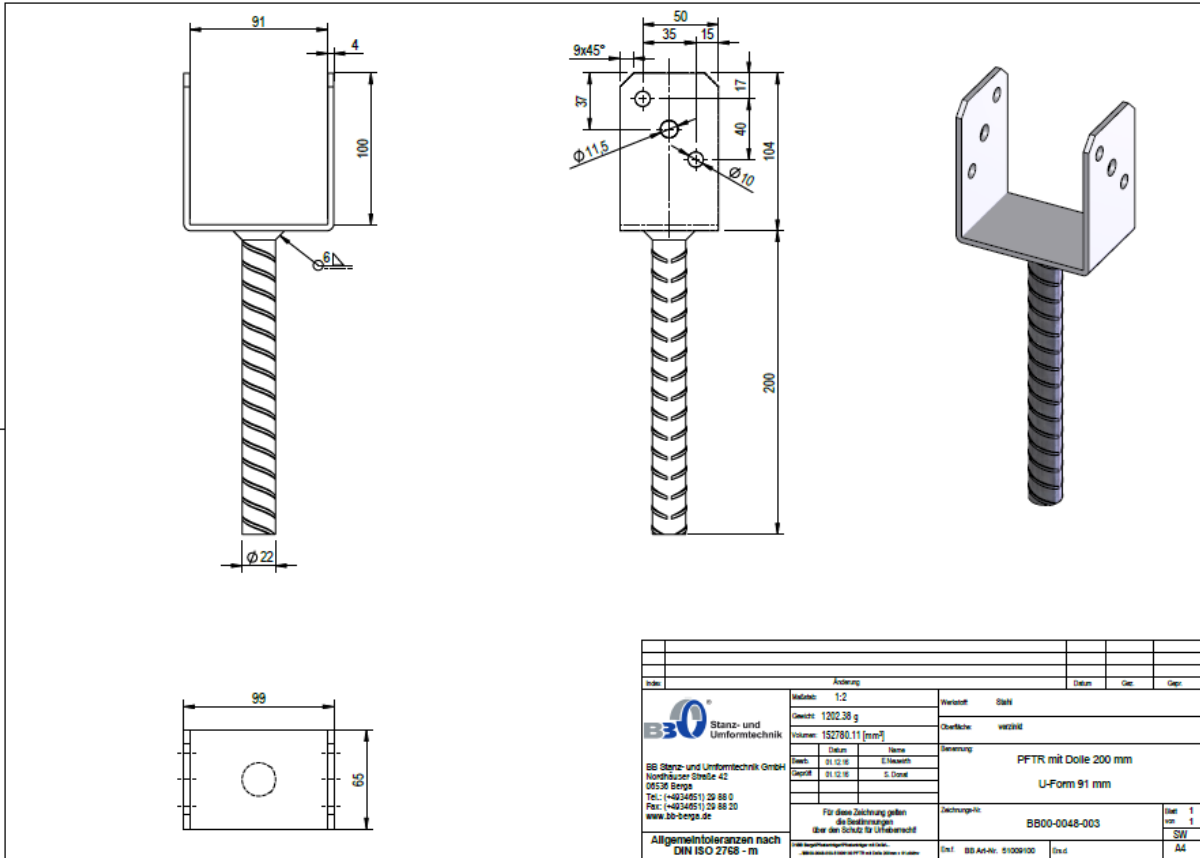
B	Berichtigung: Maß 113 hinzugefügt	22.02.17	E. Neuwirth	S. Donat											
A	überarbeitet	06.12.16	E. Neuwirth	S. Donat											
Index	Änderung	Datum	Gez.	Gepr.											
 <p>B30 Stanz- und Umformtechnik BB Stanz- und Umformtechnik GmbH Nordhäuser Straße 42 06536 Berga Tel.: (+4934651) 29 88 0 Fax: (+4934651) 29 88 20 www.bb-berga.de</p>	Maßstab: 1:2	Werkstoff: Stahl													
	Gewicht: 1265.08 g	Oberfläche: verzinkt													
	Volumen: 160746.59 mm ³	Benennung: Pfostenträger mit Sicke aufdübelbar 141x150x60													
	<table border="1"> <thead> <tr> <th></th> <th>Datum</th> <th>Name</th> </tr> </thead> <tbody> <tr> <td>Bearb.</td> <td>05.07.05</td> <td>F. Kollmar</td> </tr> <tr> <td>Geprüft</td> <td></td> <td></td> </tr> <tr> <td></td> <td></td> <td></td> </tr> </tbody> </table>		Datum	Name	Bearb.	05.07.05	F. Kollmar	Geprüft						Zeichnungs-Nr. 525 32 0005	
	Datum	Name													
Bearb.	05.07.05	F. Kollmar													
Geprüft															
<p>Für diese Zeichnung gelten die Bestimmungen über den Schutz für Urheberrecht!</p> <p><small>D:\BB Berga\Pfostenträge\Pfostenträger mit Sicke... ...UFTR 141x150x60.slddw</small></p>	BB-Nr. 52512160	Ers.d.	Blatt 1 von 1 SW A4												
<p>Allgemeintoleranzen nach DIN ISO 2768 - m</p>															

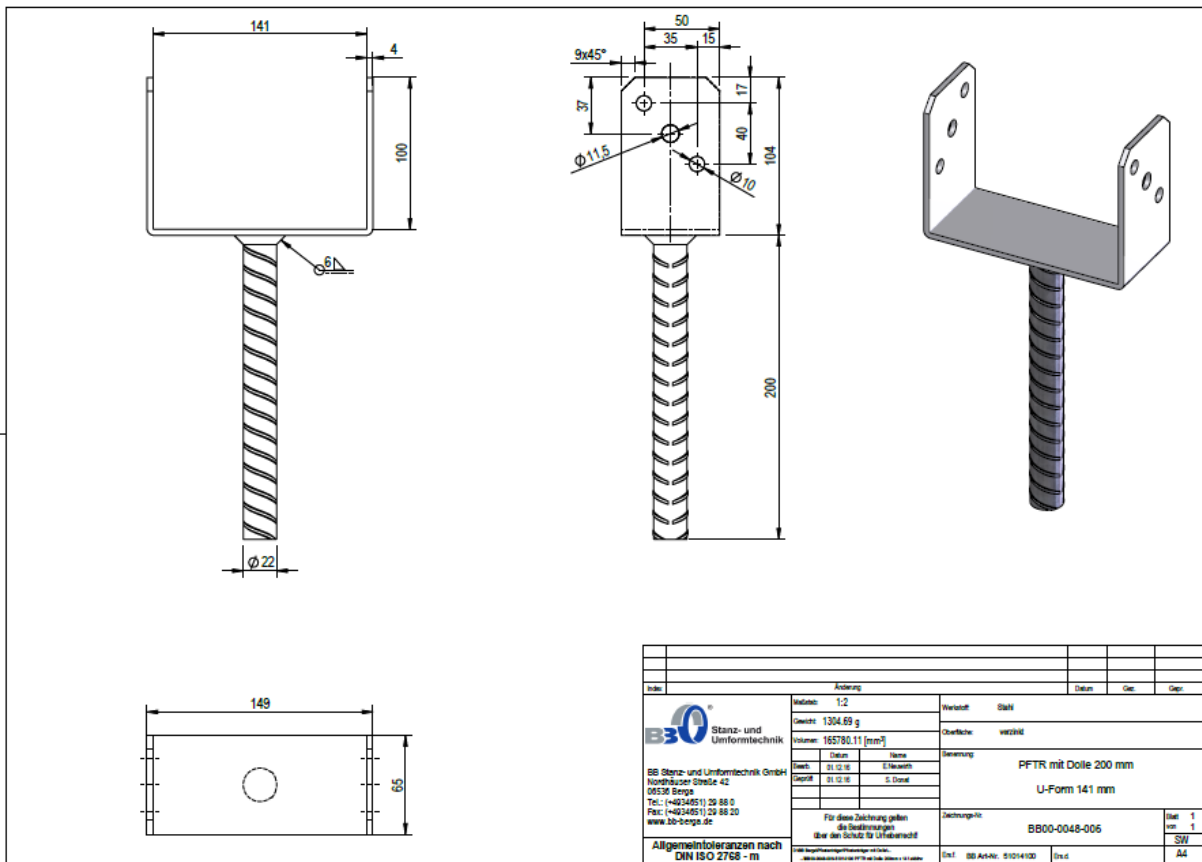
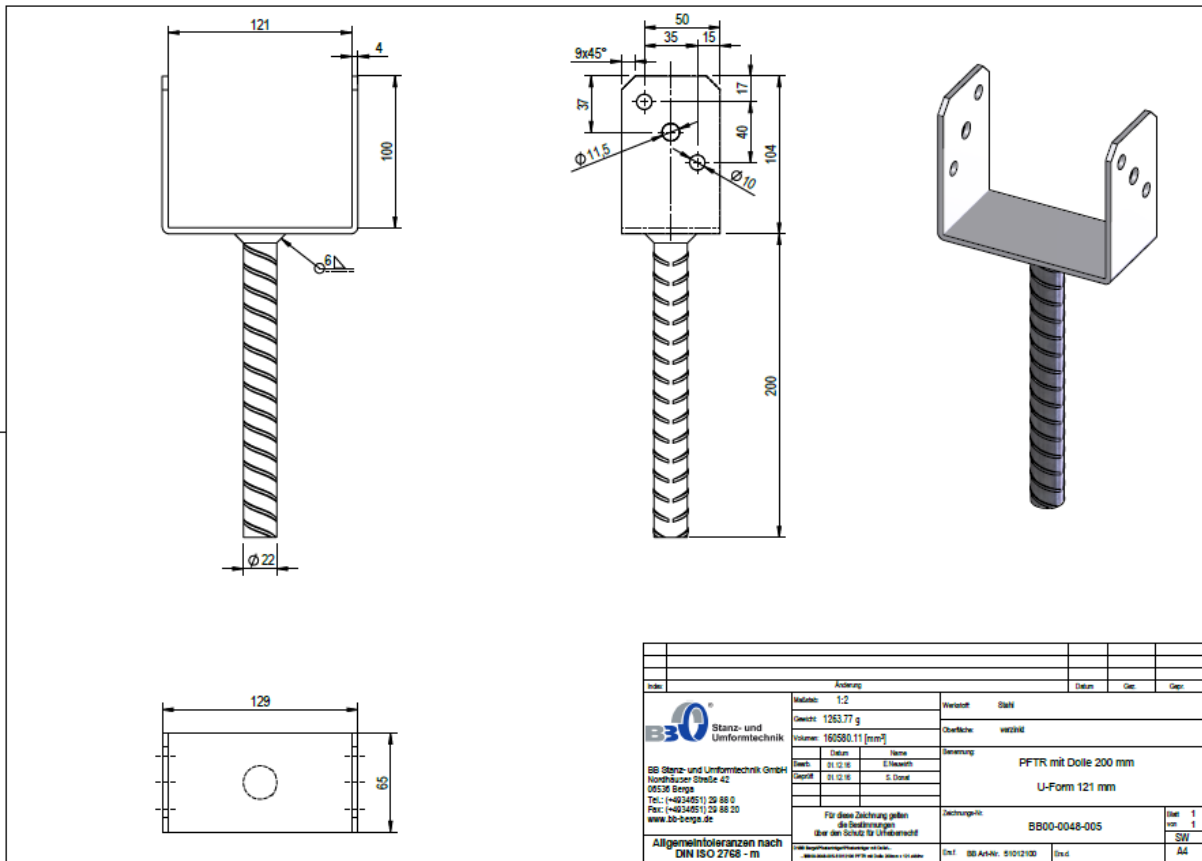


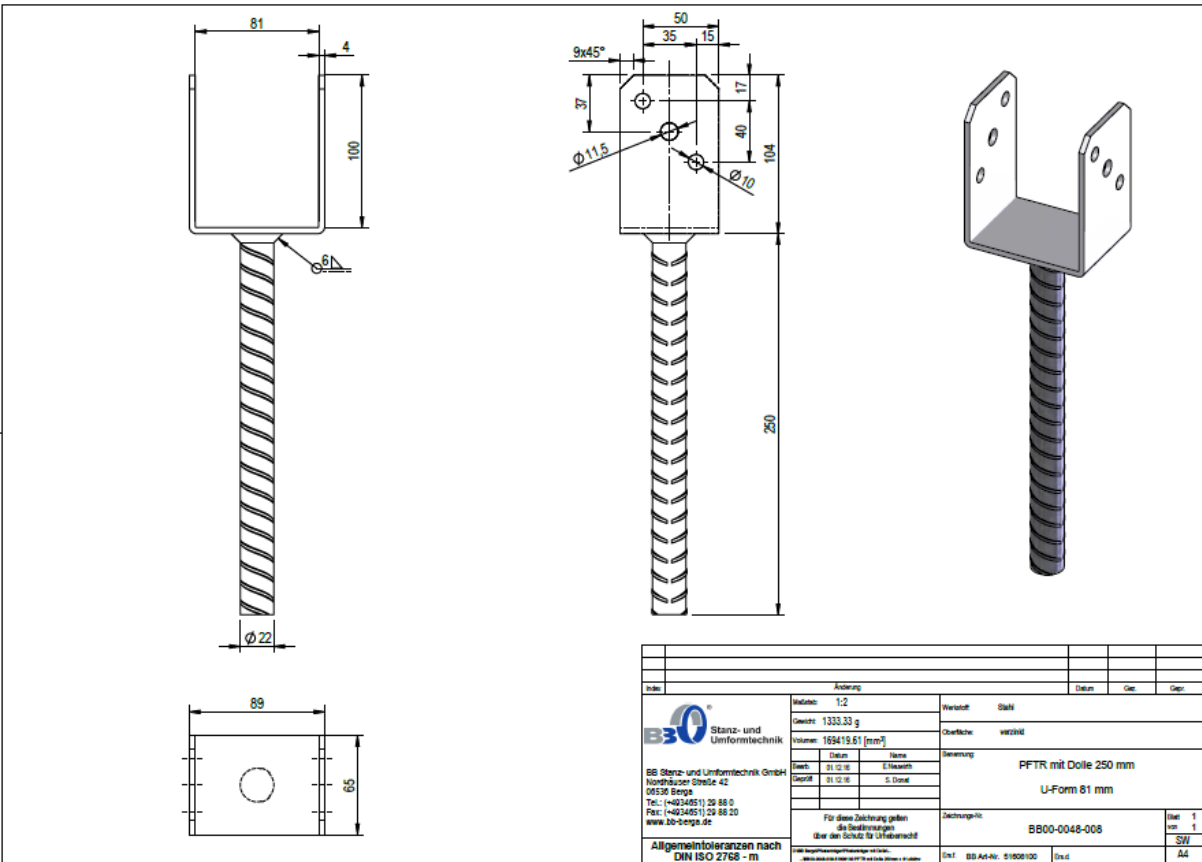
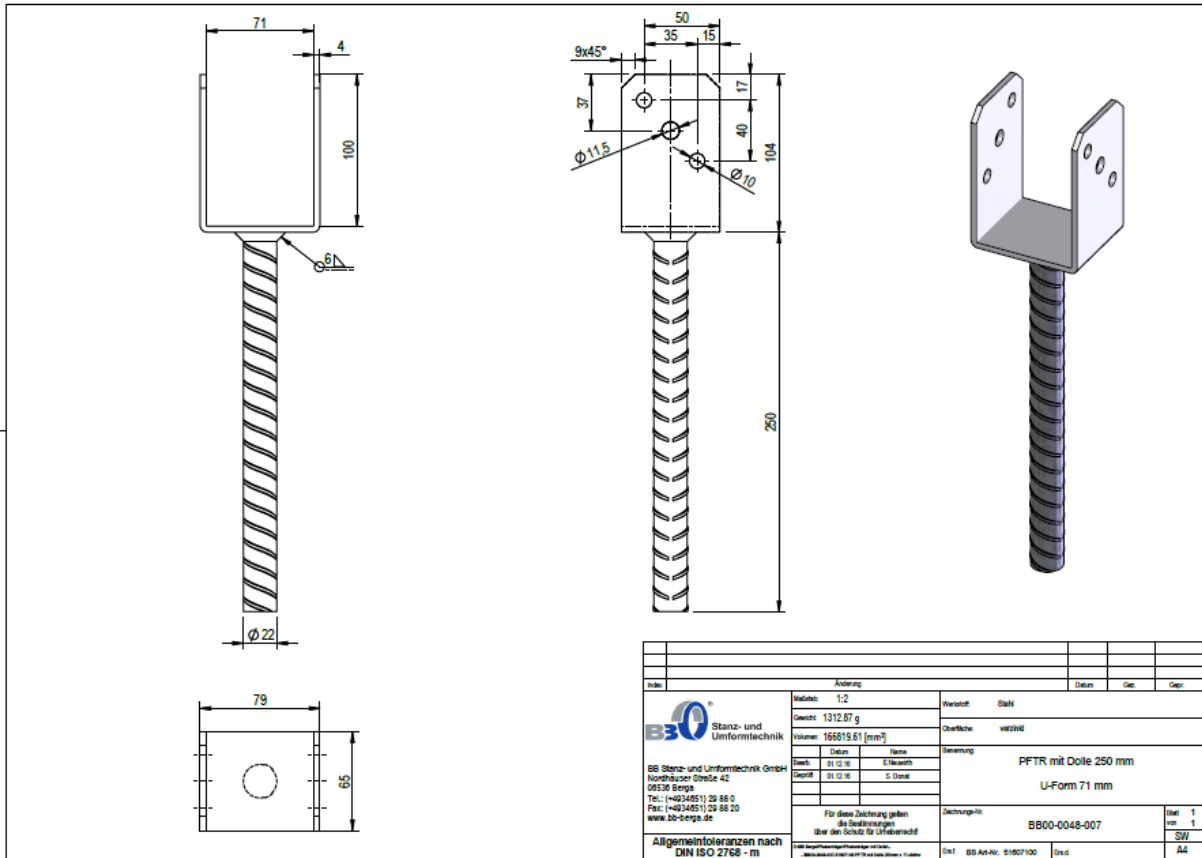


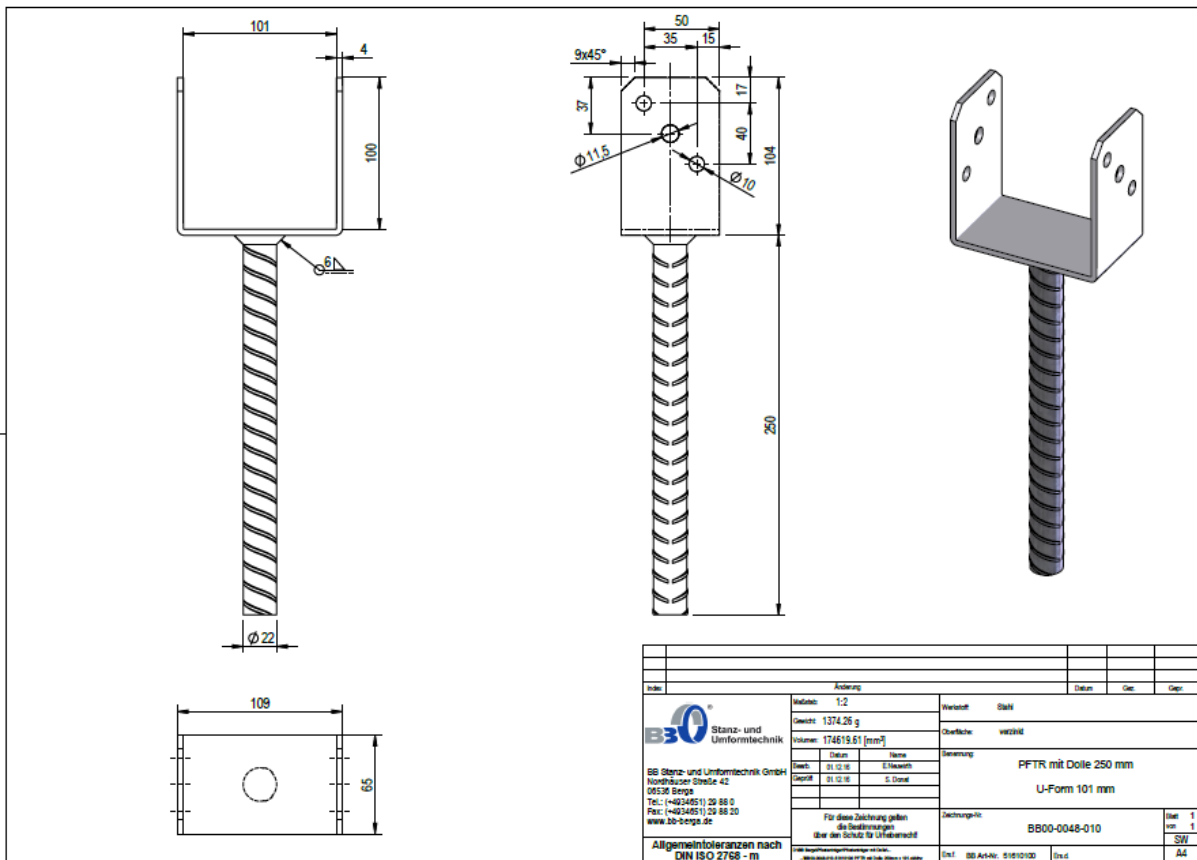
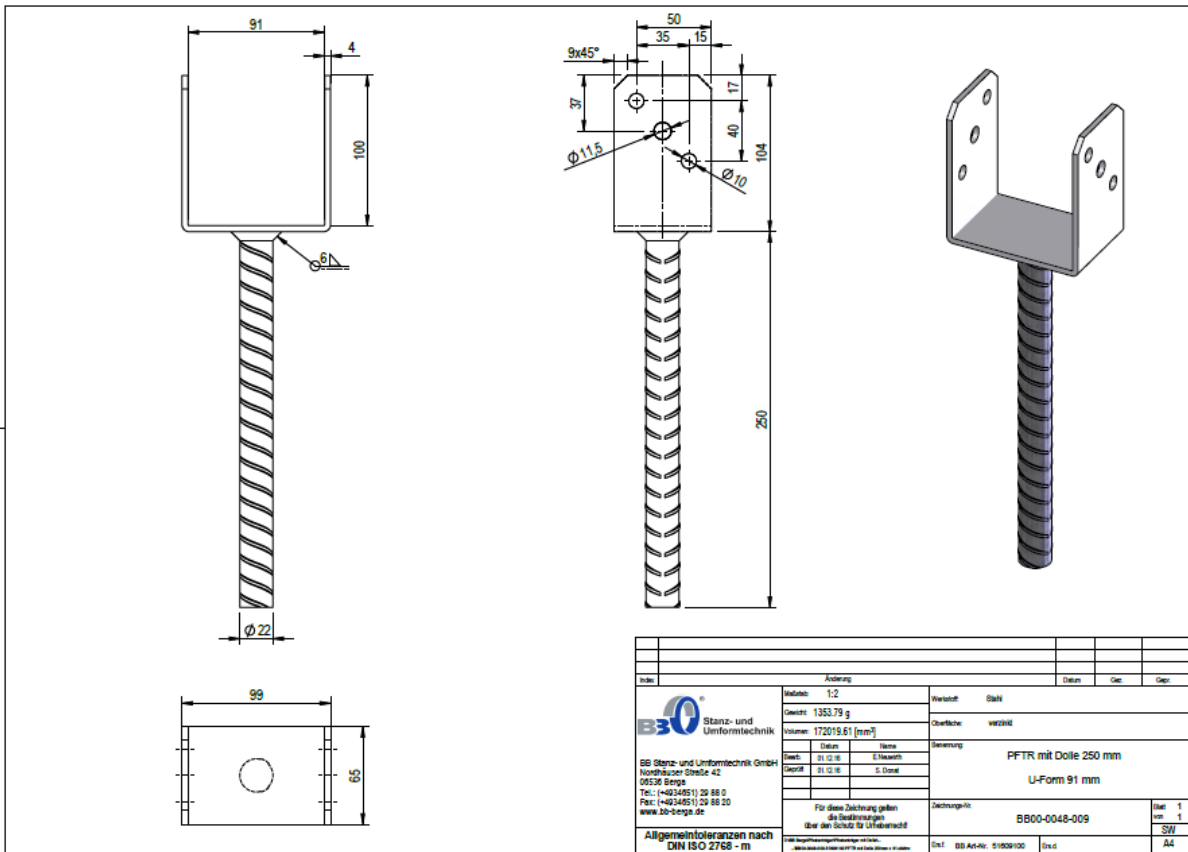


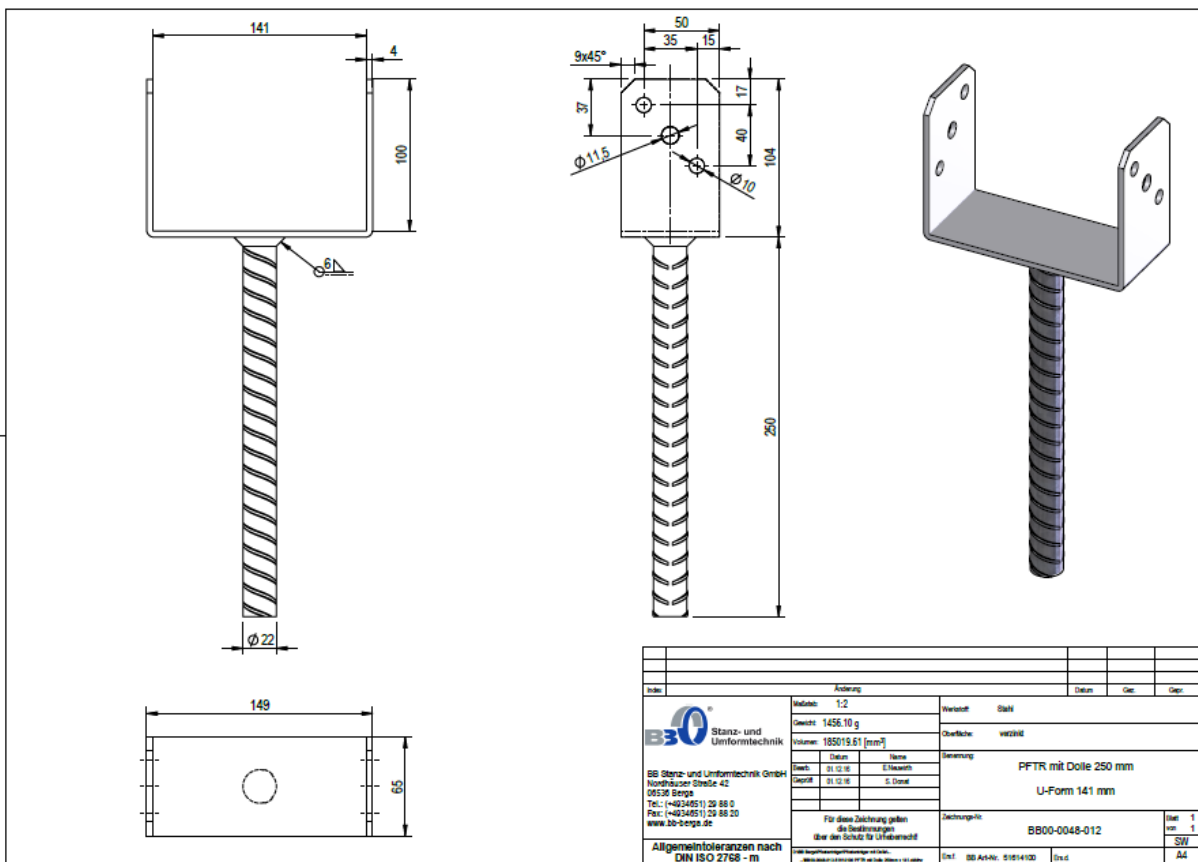
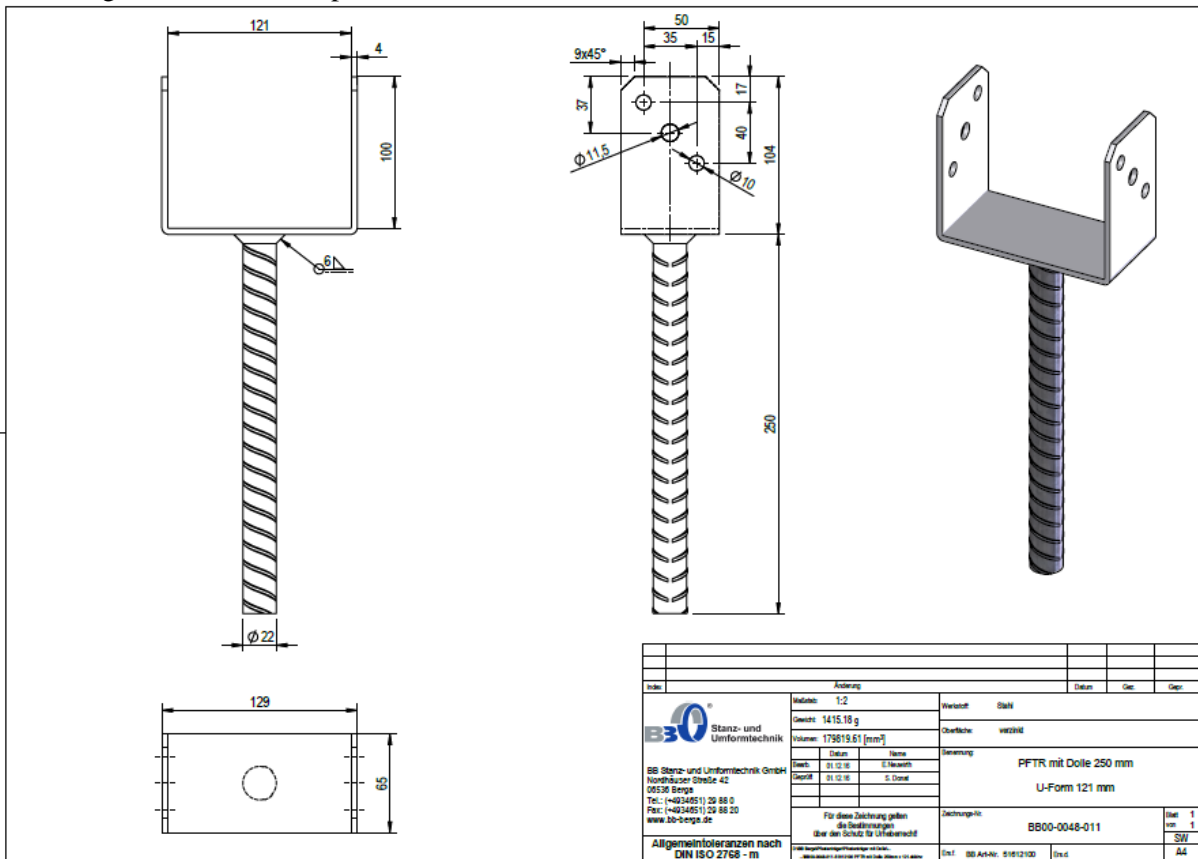


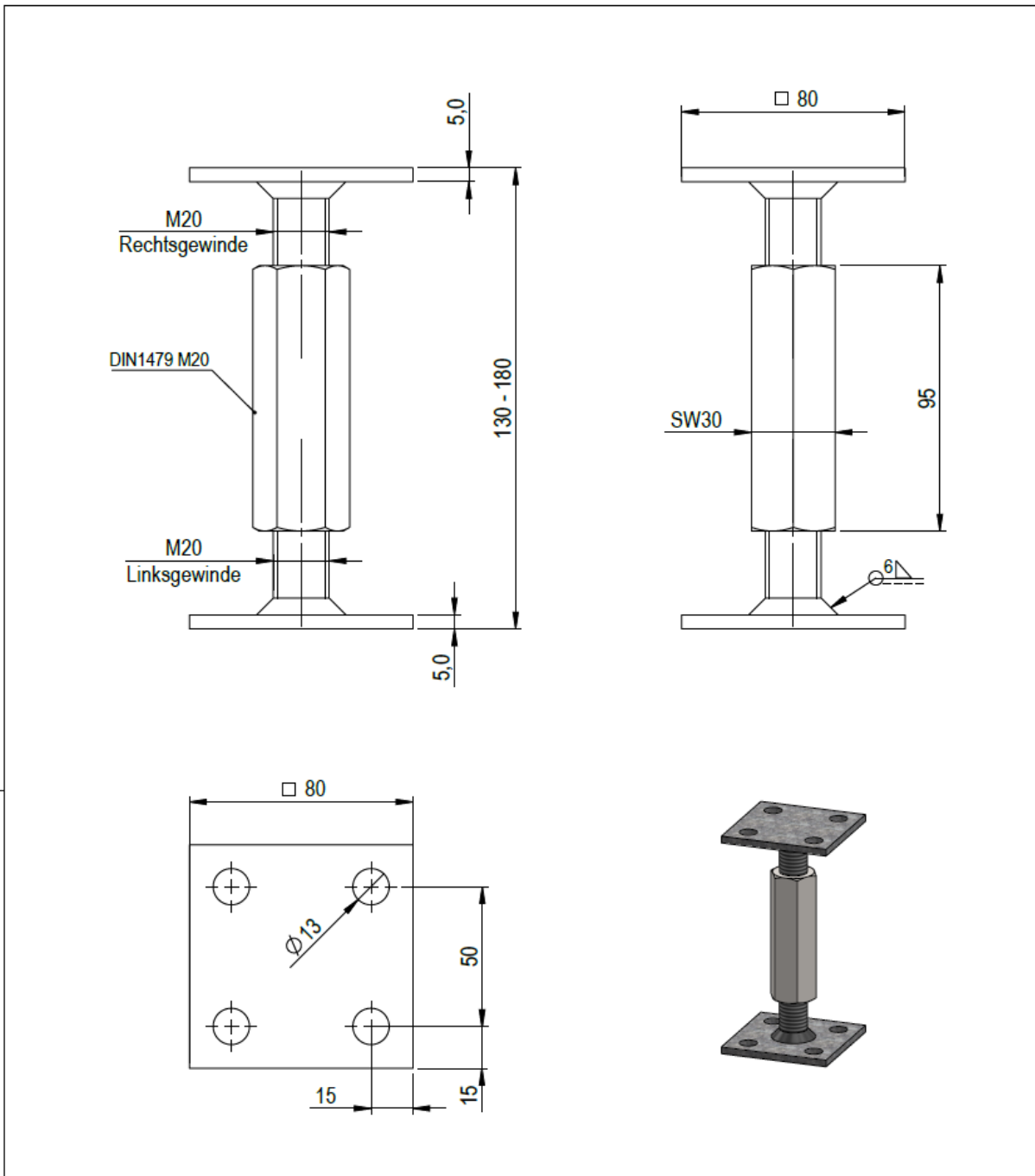





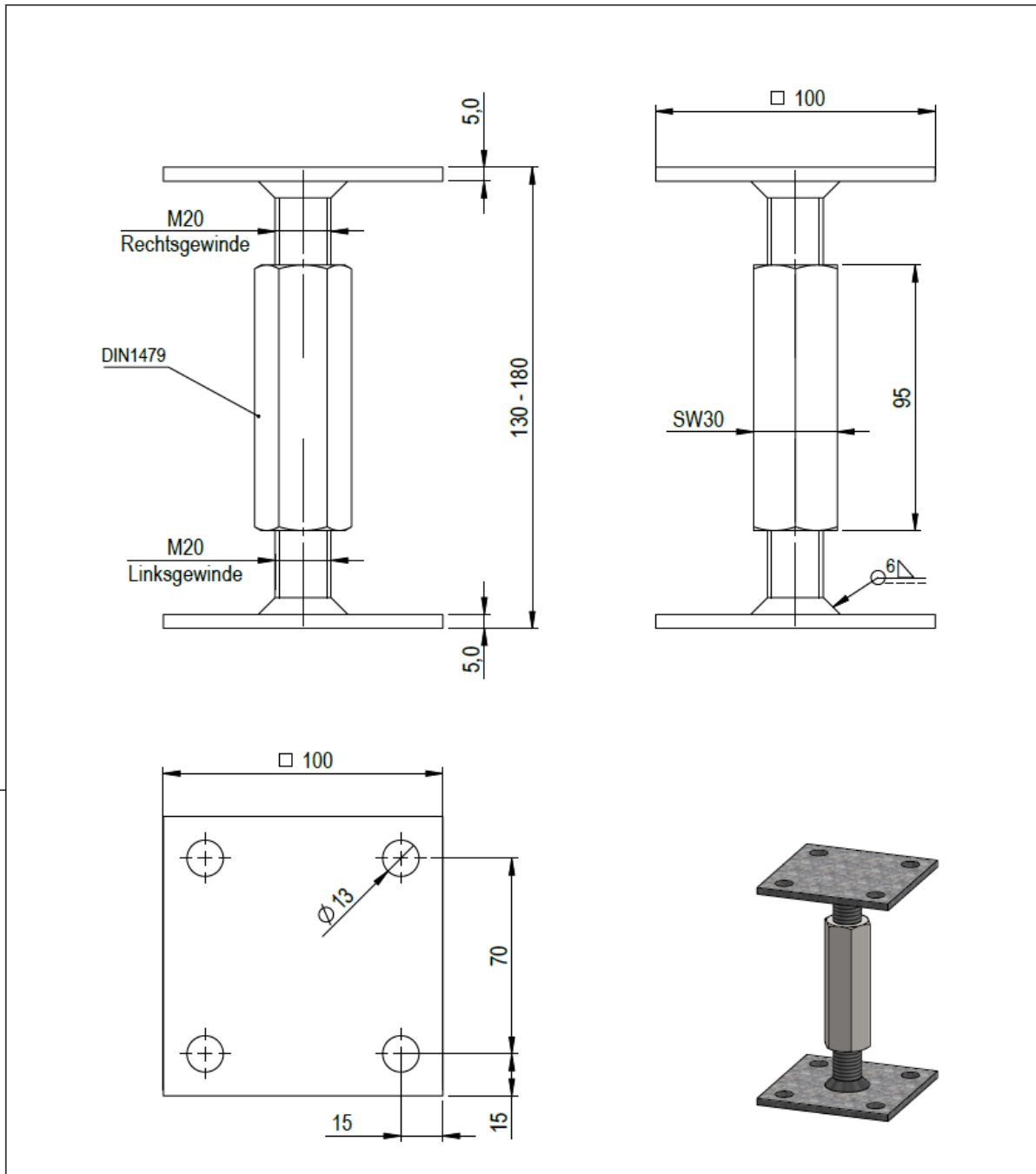









A	Toleranzen entfernt		13.12.16	E. Neuwirth	S. Donat												
Index	Änderung	Datum	Gez.	Gepr.													
 <p>B3 Stanz- und Umformtechnik BB Stanz- und Umformtechnik GmbH Nordhäuser Straße 42 06536 Berga Tel.: (+4934651) 29 88 0 Fax: (+4934651) 29 88 20 www.bb-berga.de</p>	Maßstab: 1:2	Werkstoff: Stahl															
	Gewicht: 1159,63 g	Oberfläche: verzinkt															
	Volumen: 147781,53mm ³	Benennung: Pfosträger höhenverstellbar Art.Nr. 162462 80x80x5x130/180															
	<table border="1"> <thead> <tr> <th></th> <th>Datum</th> <th>Name</th> </tr> </thead> <tbody> <tr> <td>Bearb.</td> <td>28.09.16</td> <td>E. Neuwirth</td> </tr> <tr> <td>Geprüft</td> <td>14.10.16</td> <td>A. Schröder</td> </tr> <tr> <td></td> <td></td> <td></td> </tr> </tbody> </table>		Datum	Name	Bearb.	28.09.16	E. Neuwirth	Geprüft	14.10.16	A. Schröder				Zeichnungs-Nr. BB00-0035-009		Blatt 1 von 1	
		Datum	Name														
Bearb.	28.09.16	E. Neuwirth															
Geprüft	14.10.16	A. Schröder															
<p>Für diese Zeichnung gelten die Bestimmungen über den Schutz für Urheberrecht!</p> <p><small>D:\BB Berga\BB00\BB00-0035-PFTR höhenverstellbar/... ...BB00-0035-009-PFT 80x80x5 162462.sldwtw</small></p>	Ers.f.	Ers.d.	SW														
<p>Allgemeintoleranzen nach DIN ISO 2768 - m</p>			A4														



A	Toleranzen entfernt		13.12.16	E. Neuwirth	S. Donat		
Index	Änderung		Datum	Gez.	Gepr.		
 <p>BB Stanz- und Umformtechnik GmbH Nordhäuser Straße 42 06536 Berga Tel.: (+4934651) 29 88 0 Fax: (+4934651) 29 88 20 www.bb-berga.de</p>	Maßstab: 1:2	Werkstoff: Stahl		Benennung: Pfostenträger höhenverstellbar Art Nr. 33640 100x100x5x130/180			
	Gewicht: 1442,92 g	Oberfläche: verzinkt					
	Volumen: 183781,53 mm ³	Datum	Name	Zeichnungs-Nr. BB00-0035-013			
	Bearb. 28.09.16 E. Neuwirth	Geprüft 14.10.16 A. Schröder					
Für diese Zeichnung gelten die Bestimmungen über den Schutz für Urheberrecht!		Ers.f.		Ers.d.		Blatt 1 von 1 SW A4	
Allgemeintoleranzen nach DIN ISO 2768 - m		D:\BB Berga\BB00\BB00-0035-PFTR höhenverstellbar... ...BB00-0035-013-PFT 100x100x5 33640.sldwtw					