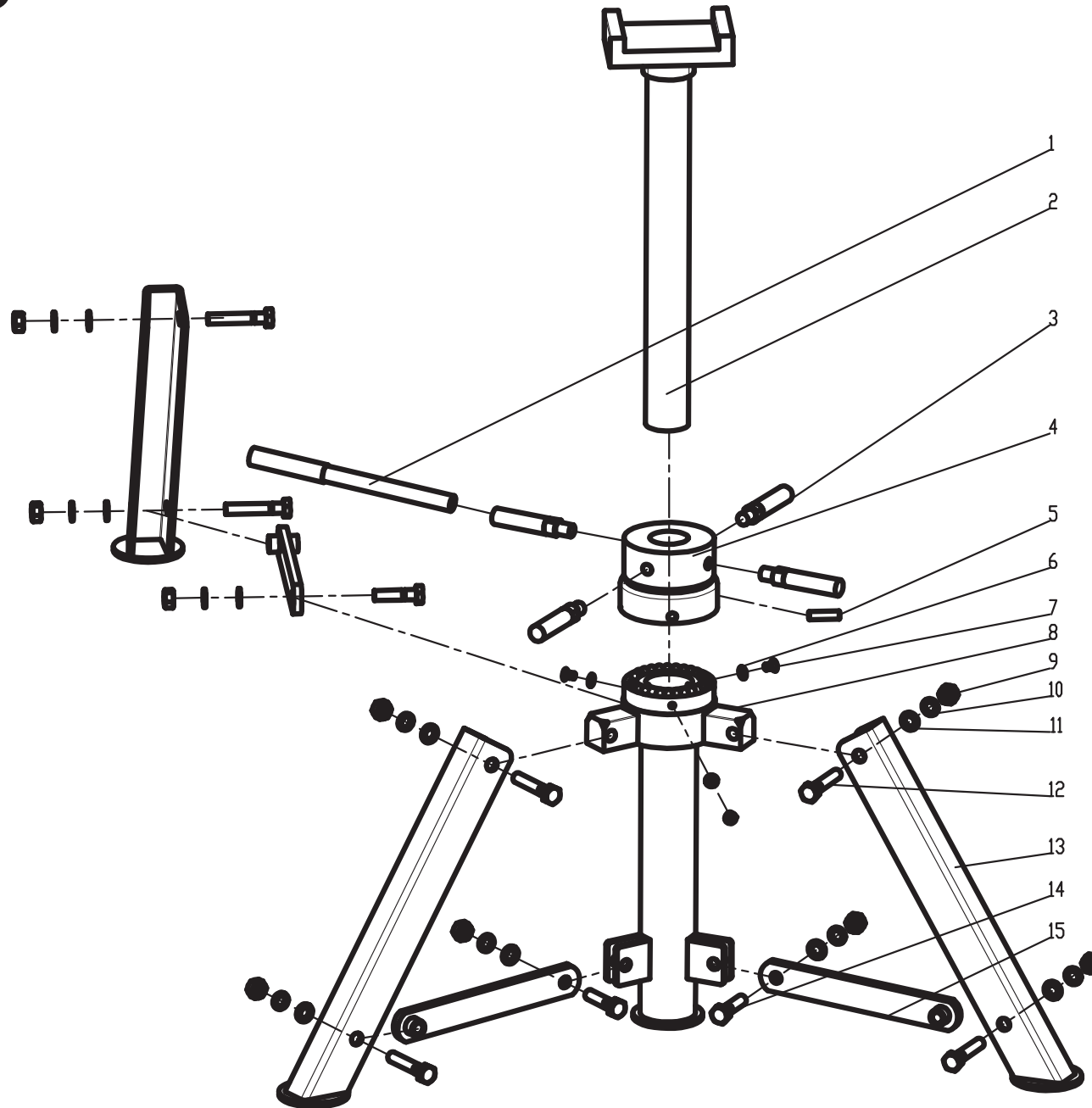


Art. 160.0441

KSTOOLS®



Art. 160.0441

Part. No	Art.-Nr.	Beschreibung	Description	Menge Qty.
1	160.0441-R001P	Handgriffverlängerung	Handle extension	1
2	160.0441-R002P	Aufnahmeteller	Ratchet bar	1
3	160.0441-R003P	Handgriff	Handle	4
4	160.0441-R004P	Höhenverstellung	Swivel tod	1
5	160.0441-R005P	Splint	Pin	1
6	160.0441-R006P	Unterlegscheibe 6 mm	Washer 6 mm	3
7	160.0441-R007P	Schraube M6x10	Cross Bolt M6x10	3
8	160.0441-R008P	Grundkörper	Column	1
9	160.0441-R009P	Mutter M10	Nut M10	9
10	160.0441-R010P	Federscheibe 10 mm	Spring-gasket 10 mm	9
11	160.0441-R011P	Unterlegscheibe 10 mm	Gasket 10 mm	9
12	160.0441-R012P	Schraube M10x55	Bolt M10x55	6
13	160.0441-R013P	Fuß	Flank panels	3
14	160.0441-R014P	Schraube M10x35	Bolt M10x35	3
15	160.0441-R015P	Verbindungsstrebe	Connecting plates	3