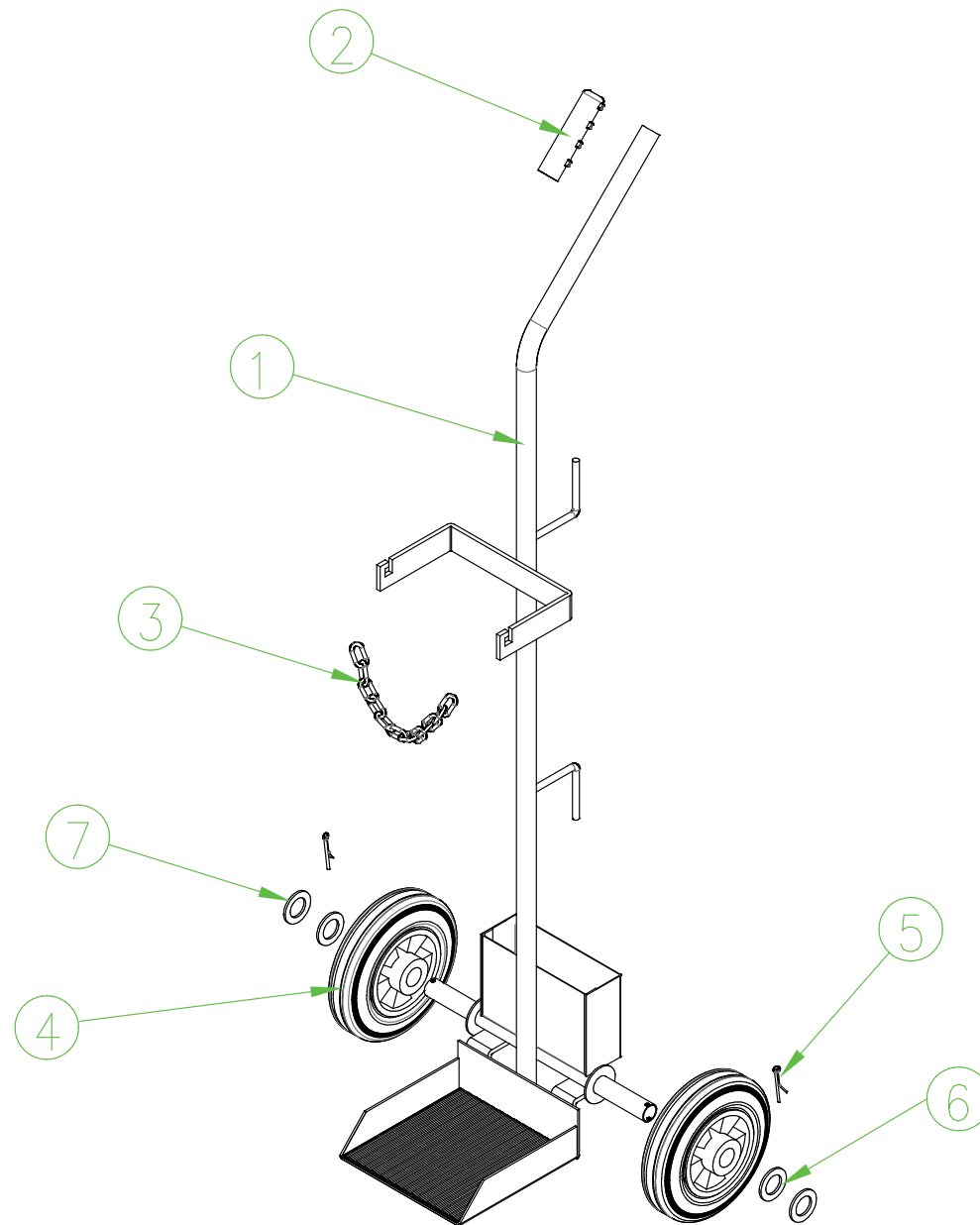


Art. 160.0247

KS TOOLS®



**Art. 160.0247**



Part. No	Art.-Nr.	Beschreibung	Description	Menge Qty.
1	160.0247-R001P	Rahmen	Base	1
2	160.0247-R002P	Handgriff	Handle Cover	1
3	160.0247-R003P	Kette	Chain	1
4	160.0247-R004P	Rad	Wheel	2
5	160.0247-R005P	Sicherungssplint	Cotter Pin	2
6	160.0247-R006P	Nylonunterlegscheibe Ø 20 mm	Nylon Washer Ø 20 mm	2
7	160.0247-R007P	Unterlegscheibe Ø 20 mm	Washer Ø 20 mm	2