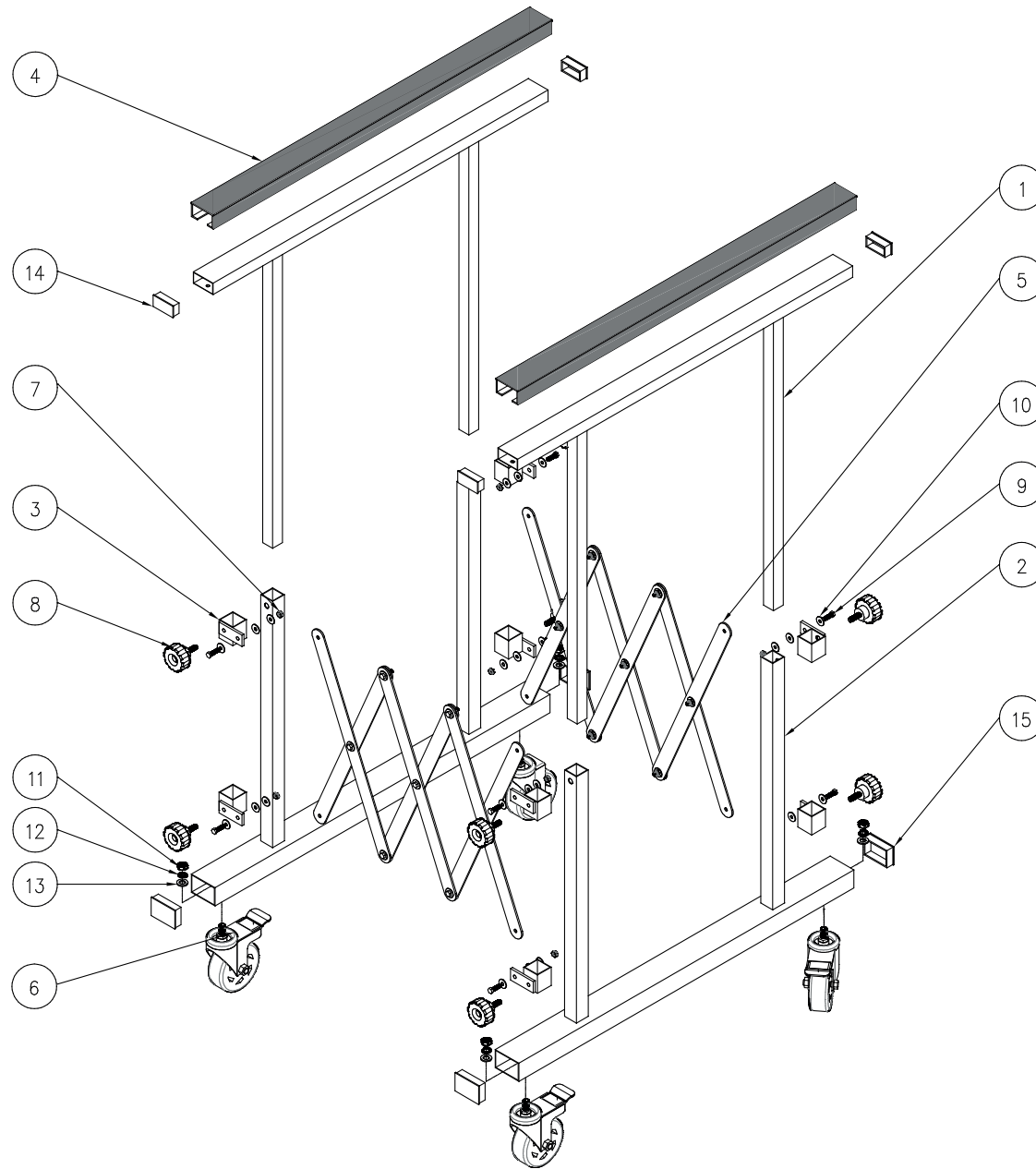


Art. 500.8100

**KS**TOOLS®



**Art. 500.8100**

Part. No	Art.-Nr.	Beschreibung	Description	Menge Qty.
1	500.8100-R001P	Oberer Rahmen	Vertical Upper Frame	1
2	500.8100-R002P	Unterer Rahmen	Vertical Lower Frame	1
3	500.8100-R003P	Aufnahme für Scherenelement	Slider	1
4	500.8100-R004P	Plastikauflage	Plastic Cover	1
5	500.8100-R005P	Scherenelement	Connector	1
6	500.8100-R006P	Lenkrolle	Caster w/Brake	1
7	500.8100-R007P	Mutter M6	Lock Nut M6	1
8	500.8100-R008P	Schraube	Thumb Screw	1
9	500.8100-R009P	Schraube M6x20 mm	Bolt M6x20 mm	1
10	500.8100-R010P	Unterlegscheibe Ø 6 mm	Big Washer Ø 6 mm	1
11	500.8100-R011P	Mutter M12	Nut M12	1
12	500.8100-R012P	Federscheibe Ø 12 mm	Spring Washer Ø 12 mm	1
13	500.8100-R013P	Unterlegscheibe Ø 12 mm	Washer Ø 12 mm	1
14	500.8100-R014P	Oberer Endkappe 50 x 25 mm	Plastic Inner Cover 50 x 25 mm	1
15	500.8100-R015P	Unterer Endkappe 60 x 40 mm	Plastic Inner Cover 60 x 40 mm	1