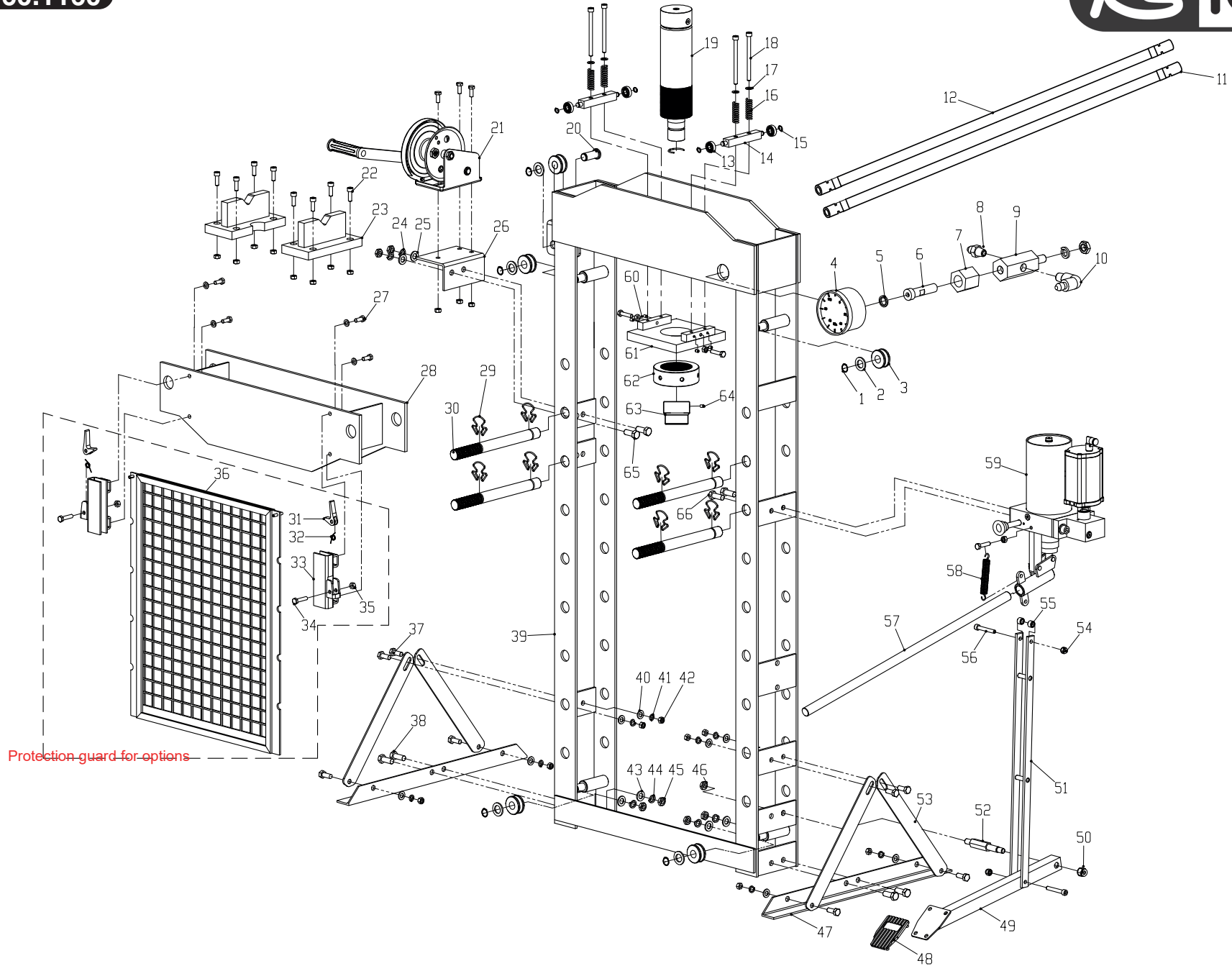


Art. 160.1160

KSTOOLS®



Art. 160.1160

| Part. No | Art.-Nr. | Beschreibung | Description | Menge Qty. |
|----------|----------------|------------------------------|----------------------|------------|
| 1 | 160.1160-R001P | Sicherungsring | Gasket ring | 5 |
| 2 | 160.1160-R002P | Sicherungsring | Gasket ring | 5 |
| 3 | 160.1160-R003P | Kugellager | Roller A | 5 |
| 4 | 160.1160-R004P | Manometer | Pressure guage | 1 |
| 5 | 160.1160-R005P | Unterlegscheibe | Washer | 1 |
| 6 | 160.1160-R006P | Adapter für Manometer | Extension rod | 1 |
| 7 | 160.1160-R007P | Mutter | Nut | 1 |
| 8 | 160.1160-R008P | Winkelanschluss | Angle coupling | 2 |
| 9 | 160.1160-R009P | Adapter | Hexagon coupling | 1 |
| 10 | 160.1160-R010P | 90° Winkeladapter | Elbow connection | 2 |
| 11 | 160.1160-R011P | Schlauch | Hose | 1 |
| 12 | 160.1160-R012P | Schlauch | Hose | 1 |
| 13 | 160.1160-R013P | Kugellager | Bearing | 4 |
| 14 | 160.1160-R014P | Schlitten | Bloom | 2 |
| 15 | 160.1160-R015P | Sicherungsring | Gasket ring | 4 |
| 16 | 160.1160-R016P | Feder | Spring | 4 |
| 17 | 160.1160-R017P | Unterlegscheibe | Washer | 4 |
| 18 | 160.1160-R018P | Schraube | Screw | 4 |
| 19 | 160.1160-R019P | Hydraulikkolben | Cylinder assembly | 1 |
| 20 | 160.1160-R020P | Bolzen | Roller Pin | 1 |
| 21 | 160.1160-R021P | Seilzug | Winch component | 1 |
| 22 | 160.1160-R022P | Schraube | Screw | 8 |
| 23 | 160.1160-R023P | Aufnahme | Support seat | 2 |
| 24 | 160.1160-R024P | Unterlegscheibe | Washer | 5 |
| 25 | 160.1160-R025P | Unterlegscheibe | Washer | 6 |
| 26 | 160.1160-R026P | Seilzug Halterung | Winch mounting plate | 1 |
| 27 | 160.1160-R027P | Mutter | Nut | 7 |
| 28 | 160.1160-R028P | Teleskoparm | Movable beam | 1 |
| 29 | 160.1160-R029P | Sicherungsring | Locating circlip | 8 |
| 30 | 160.1160-R030P | Bolzen | Pin | 4 |
| 31 | 160.1160-R031P | Hebel | Shifting fork | 2 |
| 32 | 160.1160-R032P | Torsions Feder | Torsional spring | 2 |
| 33 | 160.1160-R033P | Halter für Sicherheitsgitter | Guide rail component | 2 |

| Part. No | Art.-Nr. | Beschreibung | Description | Menge Qty. |
|----------|----------------|--------------------------------|------------------------------|------------|
| 34 | 160.1160-R034P | Bolzen | Bolt | 5 |
| 35 | 160.1160-R035P | Mutter | Nut | 11 |
| 36 | 160.1160-R036P | Sicherheitsgitter | Protection guard for options | 1 |
| 37 | 160.1160-R037P | Bolzen | Bolt | 8 |
| 38 | 160.1160-R038P | Bolzen | Bolt | 4 |
| 39 | 160.1160-R039P | Rahmen | Frame assembly | 1 |
| 40 | 160.1160-R040P | Unterlegscheibe | Washer | 8 |
| 41 | 160.1160-R041P | Unterlegscheibe | Washer | 8 |
| 42 | 160.1160-R042P | Mutter | Nut | 8 |
| 43 | 160.1160-R043P | Unterlegscheibe | Washer | 4 |
| 44 | 160.1160-R044P | Unterlegscheibe | Washer | 4 |
| 45 | 160.1160-R045P | Mutter | Nut | 4 |
| 46 | 160.1160-R046P | Mutter | Nut | 2 |
| 47 | 160.1160-R047P | Standfußplatte | Foot base | 2 |
| 48 | 160.1160-R048P | Gummiteller | Rubber pad | 1 |
| 49 | 160.1160-R049P | Fusspedal | Foot pedal | 1 |
| 50 | 160.1160-R050P | Mutter | Nut | 1 |
| 51 | 160.1160-R051P | Verbindungsstrebe für Fußpedal | Long connection rod | 1 |
| 52 | 160.1160-R052P | Verbindungsbolzen | Foot holding rod | 1 |
| 53 | 160.1160-R053P | Standstrebe | Connection rod | 4 |
| 54 | 160.1160-R054P | Mutter | Nut | 3 |
| 55 | 160.1160-R055P | Lager für vordere Rolle | Bushing | 2 |
| 56 | 160.1160-R056P | Bolzen | Bolt | 2 |
| 57 | 160.1160-R057P | Handgriff | Handle | 1 |
| 58 | 160.1160-R058P | Feder | Pressure spring | 1 |
| 59 | 160.1160-R059P | Hydraulikeinheit | Hydraulic power unit | 1 |
| 60 | 160.1160-R060P | Schraube | Screw | 4 |
| 61 | 160.1160-R061P | Halterung für Hydraulikkolben | Cylinder locating plate | 1 |
| 62 | 160.1160-R062P | Mutter | Nut | 1 |
| 63 | 160.1160-R063P | Aufnahmeteller | Saddle | 1 |
| 64 | 160.1160-R064P | Schraube | Screw | 1 |
| 65 | 160.1160-R065P | Bolzen | Bolt | 2 |
| 66 | 160.1160-R066P | Bolzen | Bolt | 2 |