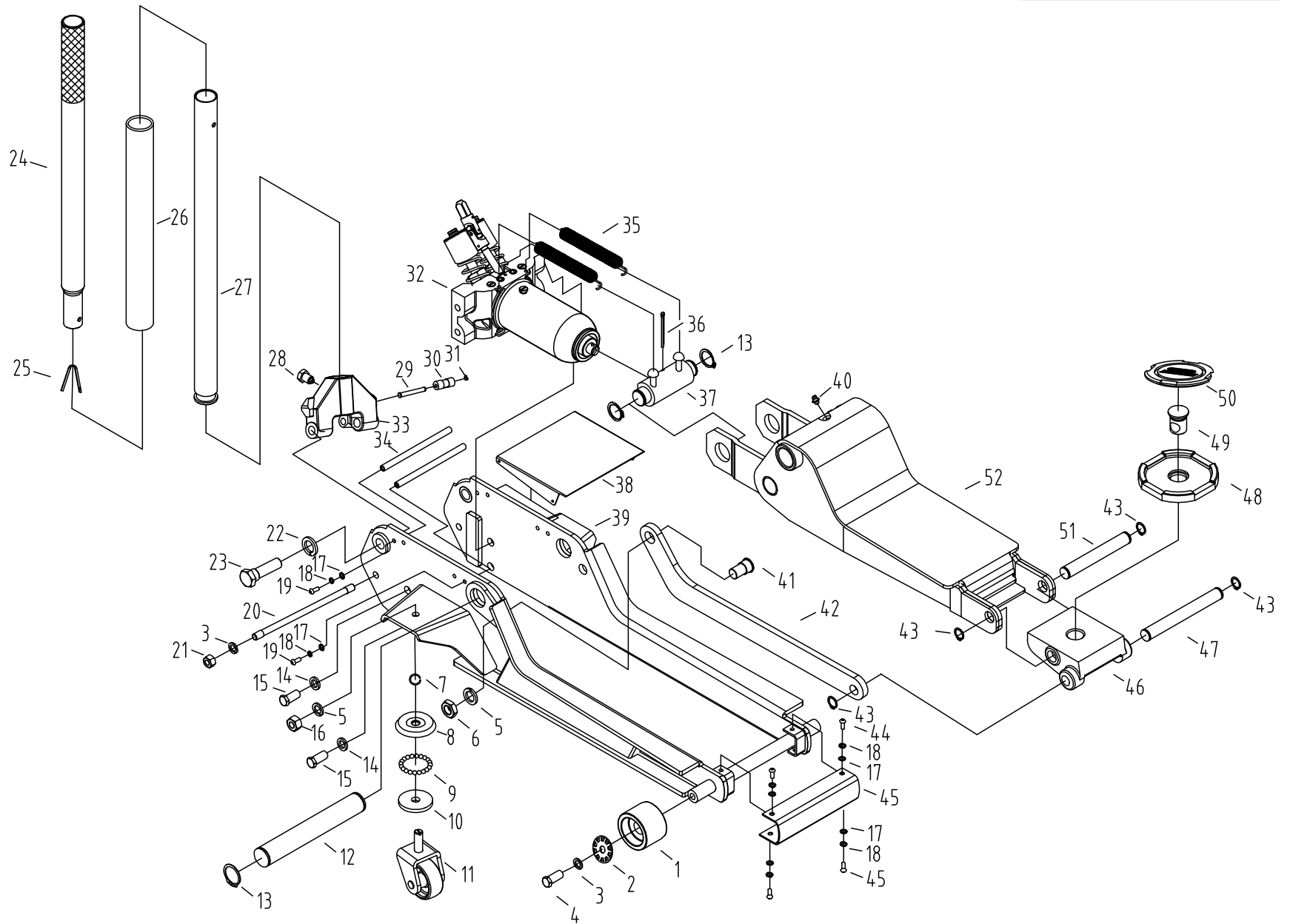


Art. 160.1030



Art. 160.1030

| Part. No | Art.-Nr. | Beschreibung | Description | Menge Qty. |
|----------|----------------|----------------------------------|---------------|------------|
| 1 | 160.1030-R001P | Vordere Rolle | Front Wheel | 2 |
| 2 | 160.1030-R002P | Unterlegscheibe | Washer | 2 |
| 3 | 160.1030-R003P | Unterlegscheibe | Lock Washer | 4 |
| 4 | 160.1030-R004P | Bolzen | Bolt | 2 |
| 5 | 160.1030-R005P | Unterlegscheibe | Lock Washer | 4 |
| 6 | 160.1030-R006P | Mutter | Nut | 2 |
| 7 | 160.1030-R007P | Sicherungsring | Snap Ring | 2 |
| 8 | 160.1030-R008P | Kugellager | Bearing Ring | 2 |
| 9 | 160.1030-R009P | Stahlkugel | Steel Ball | 38 |
| 10 | 160.1030-R010P | Kugellager | Bearing Ring | 2 |
| 11 | 160.1030-R011P | Lenkrolle | Rear Wheel | 2 |
| 12 | 160.1030-R012P | Bolzen | Shaft | 1 |
| 13 | 160.1030-R013P | Sicherungsring | Snap Ring | 4 |
| 14 | 160.1030-R014P | Unterlegscheibe | Lock Washer | 4 |
| 15 | 160.1030-R015P | Bolzen | Bolt | 4 |
| 16 | 160.1030-R016P | Mutter | Nut | 2 |
| 17 | 160.1030-R017P | Unterlegscheibe | Washer | 8 |
| 18 | 160.1030-R018P | Unterlegscheibe | Lock Washer | 8 |
| 19 | 160.1030-R019P | Bolzen | Bolt | 4 |
| 20 | 160.1030-R020P | Bolzen | Shaft | 1 |
| 21 | 160.1030-R021P | Mutter | Nut | 2 |
| 22 | 160.1030-R022P | Unterlegscheibe | Lock Washer | 2 |
| 23 | 160.1030-R023P | Bolzen | Bolt | 2 |
| 24 | 160.1030-R024P | Obere Lenkstange | Rear Handle | 1 |
| 25 | 160.1030-R025P | Bolzen | Pin | 1 |
| 26 | 160.1030-R026P | Schaumstoffschutz für Lenkstange | Handle Sleeve | 1 |

| Part. No | Art.-Nr. | Beschreibung | Description | Menge Qty. |
|----------|----------------|-----------------------------|------------------------|------------|
| 27 | 160.1030-R027P | Untere Lenkstange | Front Handle | 1 |
| 28 | 160.1030-R028P | Schraube | Screw | 1 |
| 29 | 160.1030-R029P | Bolzen | Shaft | 1 |
| 30 | 160.1030-R030P | Umlenkrolle | Roller | 1 |
| 31 | 160.1030-R031P | Sicherungsring | Snap Ring | 1 |
| 32 | 160.1030-R032P | Hydraulikeinheit | Hydraulic Pump Unit | 1 |
| 33 | 160.1030-R033P | Lenkstangenaufnahme | Handle Socket Assembly | 1 |
| 34 | 160.1030-R034P | Endanschlagsbolzen | Limited Rod | 2 |
| 35 | 160.1030-R035P | Feder | Spring | 2 |
| 36 | 160.1030-R036P | Bolzen | Pin | 1 |
| 37 | 160.1030-R037P | Verbindungstrebe | Connecting Rod | 1 |
| 38 | 160.1030-R038P | Abdeckung | Cover | 1 |
| 39 | 160.1030-R039P | Rahmen | Frame | 1 |
| 40 | 160.1030-R040P | Schmiernippel | Lubricating Nipple | 1 |
| 41 | 160.1030-R041P | Bolzen | Bolt | 2 |
| 42 | 160.1030-R042P | Verbindungsstrebe | Long Connecting Rod | 2 |
| 43 | 160.1030-R043P | Sicherungsring | Snap Ring | 4 |
| 44 | 160.1030-R044P | Bolzen | Bolt | 4 |
| 45 | 160.1030-R045P | Vordere Abdeckung | Front Cover | 1 |
| 46 | 160.1030-R046P | Aufnahme für Aufnahmeteller | Saddle Seat | 1 |
| 47 | 160.1030-R047P | Bolzen | Shaft | 1 |
| 48 | 160.1030-R048P | Aufnahmeteller | Saddle | 1 |
| 49 | 160.1030-R049P | Bolzen | Pin | 1 |
| 50 | 160.1030-R050P | Gummiteller | Rubber Pad | 1 |
| 51 | 160.1030-R051P | Bolzen | Shaft | 1 |
| 52 | 160.1030-R052P | Hubarm | Lifting Arm Assembly | 1 |