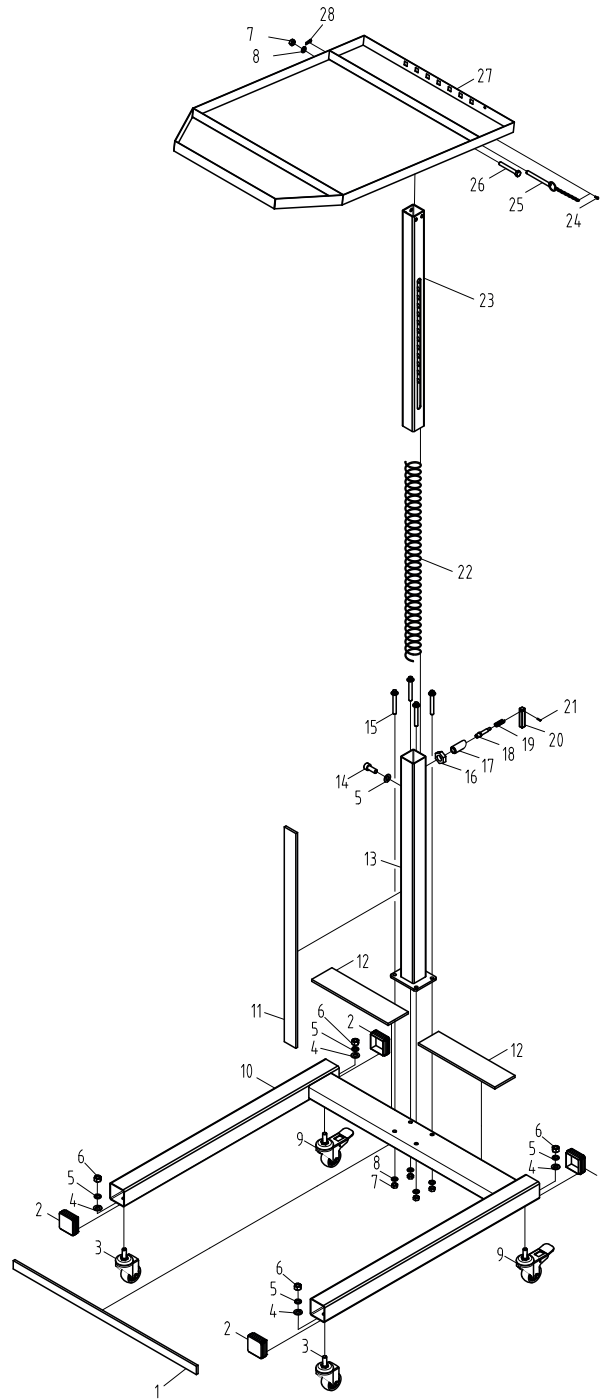


Art. 160.0215



Art. 160.0215

Part. No	Art.-Nr.	Beschreibung	Description	Menge Qty.
1	160.0215-R001P	Kunststoff-Stoßfänger C	Protective C	1
2	160.0215-R002P	Plastikstopfen	Stifle	4
3	160.0215-R003P	Lenkrolle	Universal wheel B	2
4	160.0215-R004P	Unterlegscheibe	Washer	4
5	160.0215-R005P	Unterlegscheibe	Washer	5
6	160.0215-R006P	Mutter	Nut	4
7	160.0215-R007P	Mutter	Nut	5
8	160.0215-R008P	Unterlegscheibe	Washer	5
9	160.0215-R009P	Lenkrolle mit Bremse	Universal wheel A	2
10	160.0215-R010P	Grundgestell	Base	1
11	160.0215-R011P	Kunststoff-Stoßfänger A	Protective A	1
12	160.0215-R012P	Kunststoff-Stoßfänger B	Protective B	2
13	160.0215-R013P	Unteres Teleskoprohr	Support arm	1
14	160.0215-R014P	Schraube	Screw	1

Part. No	Art.-Nr.	Beschreibung	Description	Menge Qty.
15	160.0215-R015P	Bolzen	Bolt	4
16	160.0215-R016P	Mutter	Nut	1
17	160.0215-R017P	Hülse	Locating pin sleeve	1
18	160.0215-R018P	Arretierungsbolzen	Locating pin	1
19	160.0215-R019P	Feder	Spring	1
20	160.0215-R020P	Griff für Arretierung	Pinhandle	1
21	160.0215-R021P	Bolzen	Pin	1
22	160.0215-R022P	Feder	Pressure spring	1
23	160.0215-R023P	Oberes Teleskoprohr	Column extension	1
24	160.0215-R024P	Schraube	Screw	1
25	160.0215-R025P	Kette	Chain	1
26	160.0215-R026P	Bolzen	Bolt	1
27	160.0215-R027P	Werkzeugschale	Tool tray	1
28	160.0215-R028P	Bolzen	Pin	1