

93RK Europrofil Halbzylinder | Euro profile half cylinder | Demi-cylindre Europrofil

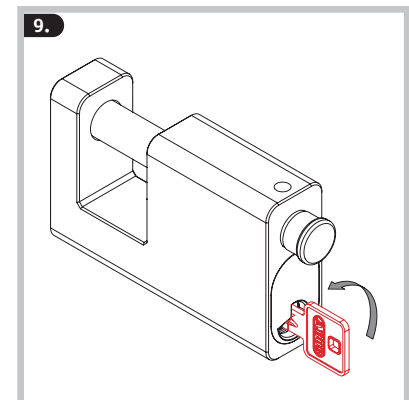
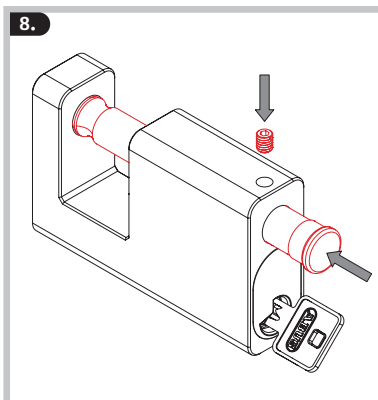
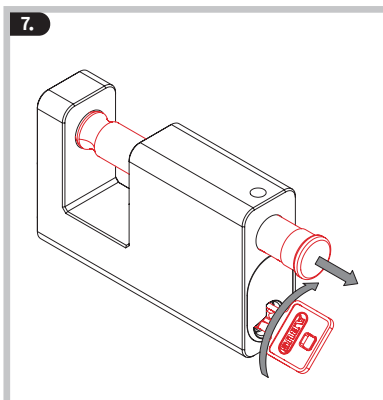
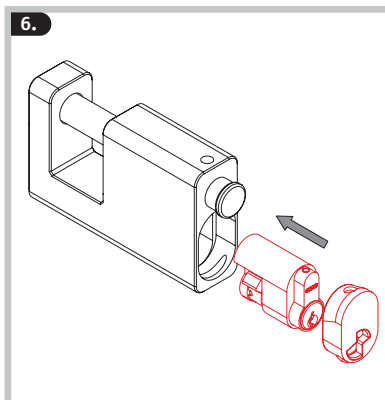
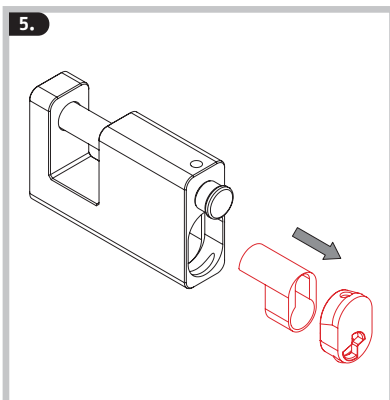
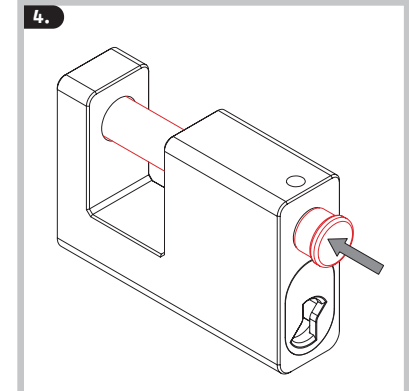
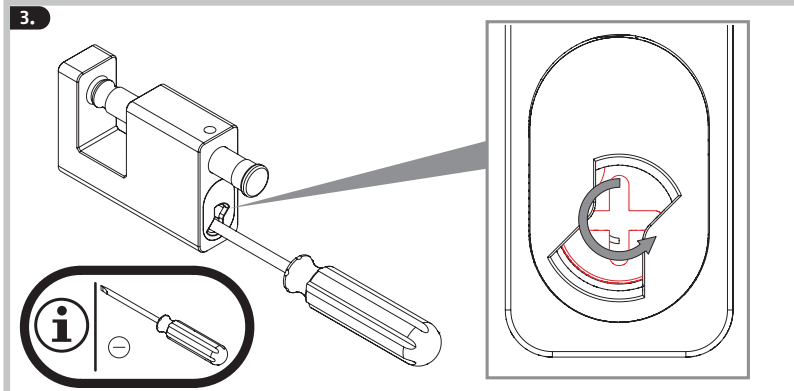
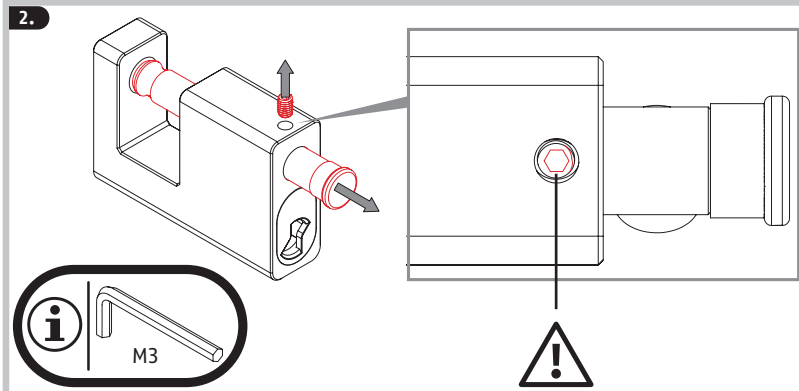
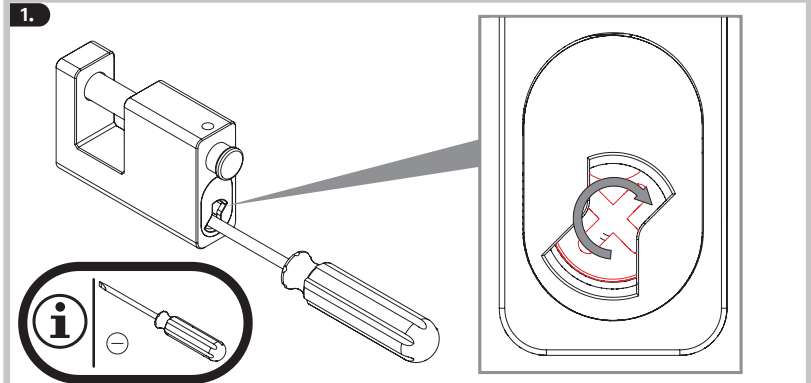
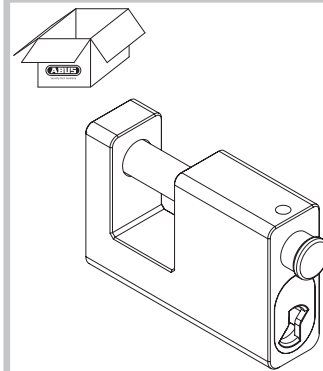
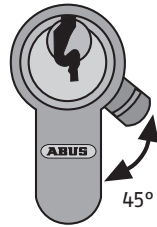


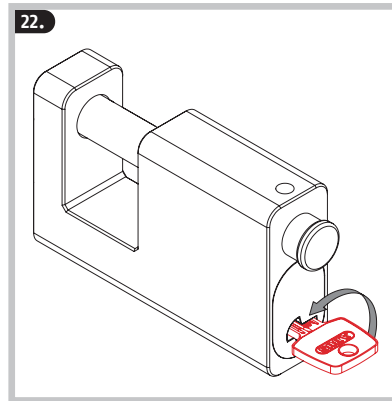
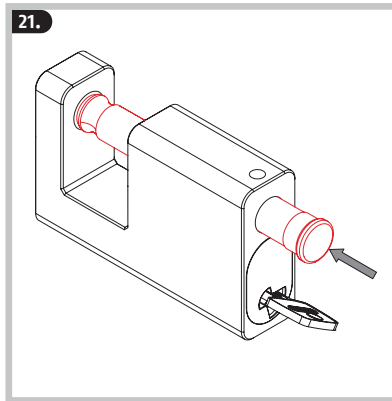
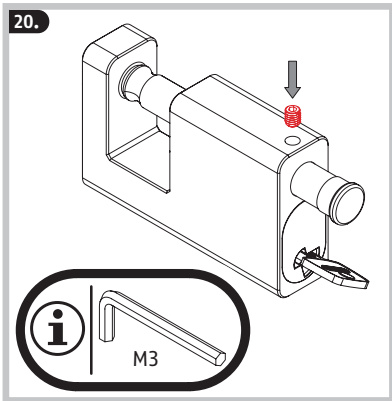
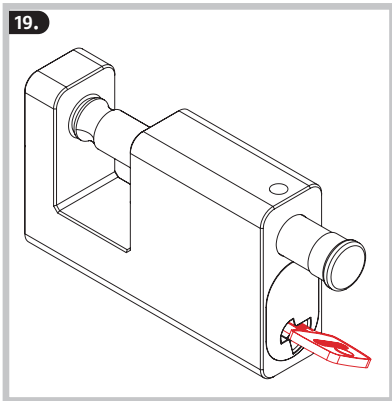
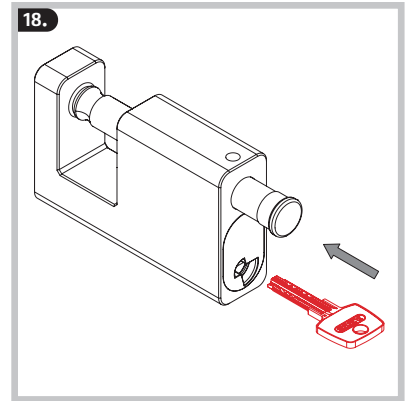
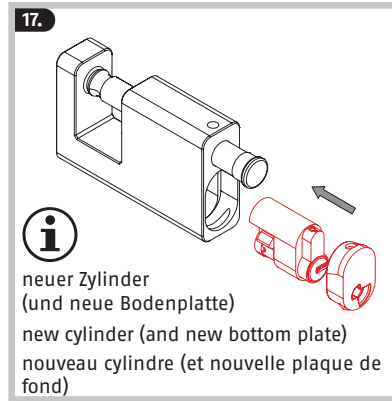
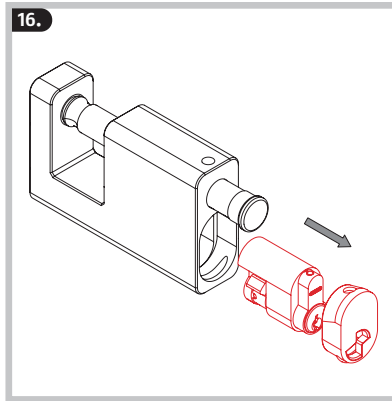
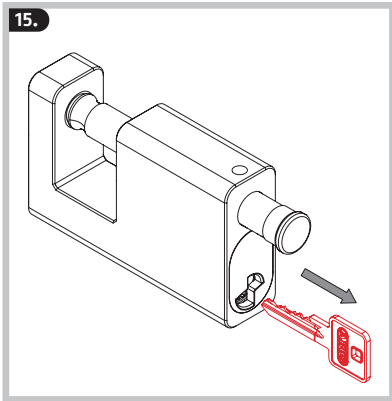
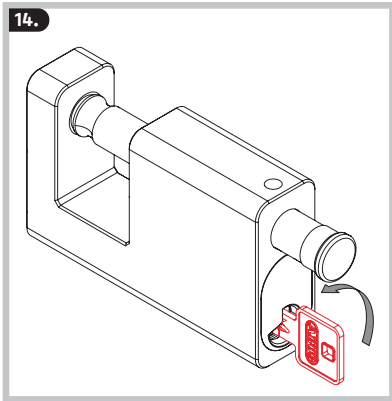
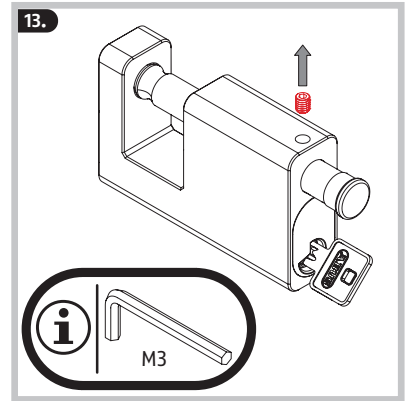
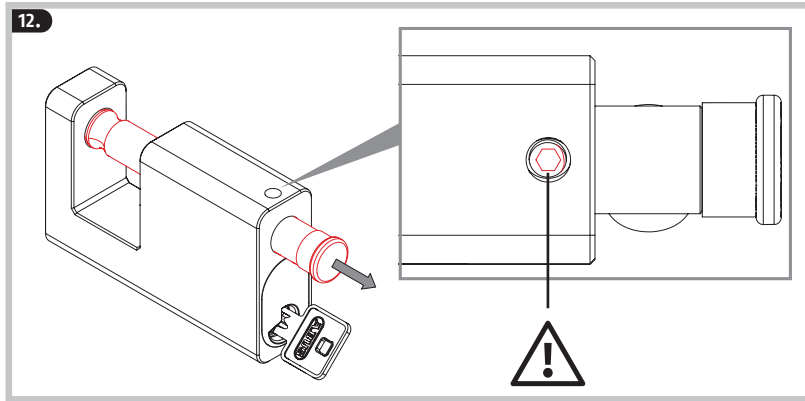
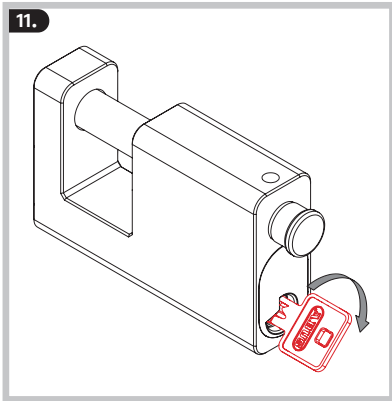
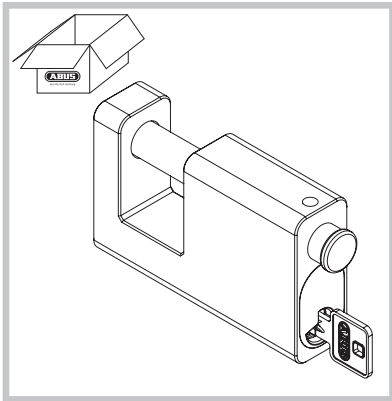
Security Tech Germany



Seite 1 **1.** – **9.** Zylindereinbau
Page 1 Cylinder installation
Page 1 Installation de cylindre

Seite 2 **11.** – **22.** Zylinderwechsel
Page 2 Cylinder change
Page 2 Changement de cylindre





© ABUS 2023 | ABUS August Bremicker Söhne KG
 D 58292 Wetter | Germany.
 Tel.: +49 (0) 23 35 63 40
 www.abus.com | info@abus.de
 UK-Importer: ABUS (UK) Ltd.
 Unit 30, Portishead Bus. Park
 Old Mill Road, Portishead
 BS20 7BX, BRISTOL, UK
 Tel.: +44 117 204 70 00
 info@abus-uk.com