



GO Professional

Robert Bosch Power Tools GmbH
70538 Stuttgart
GERMANY

www.bosch-pt.com

1 609 92A 6M5 (2021.05) DOC / 115



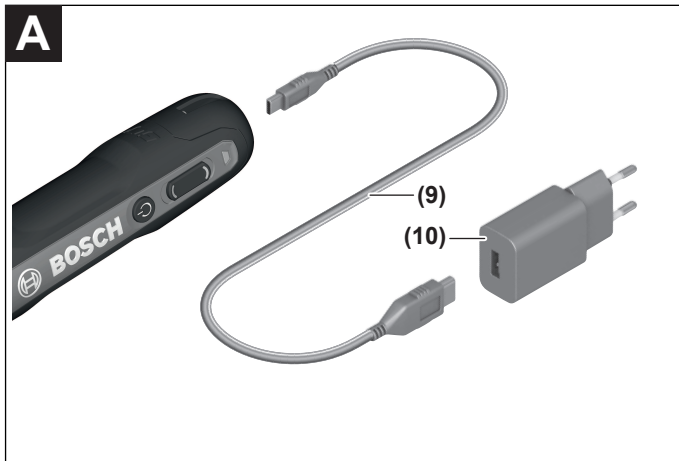
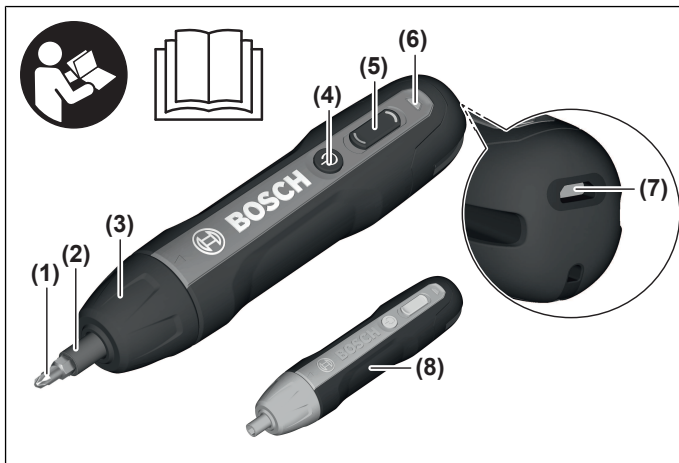
1 609 92A 6M5

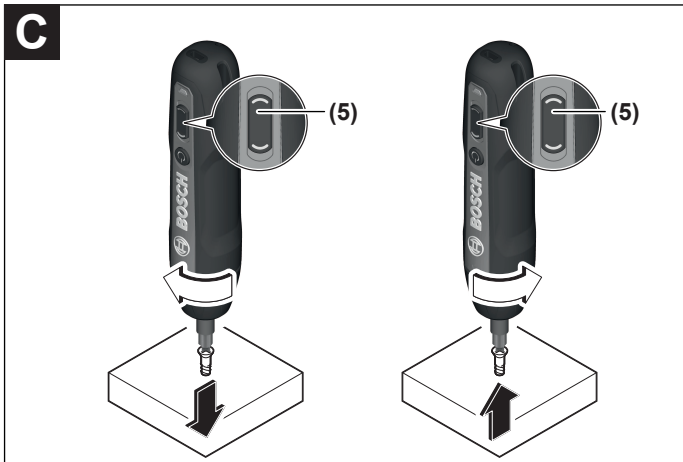
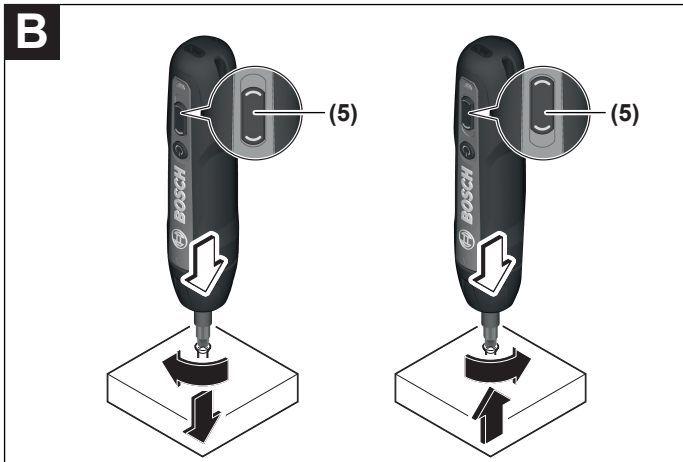


- en Original instructions
- fr Notice originale
- pt Manual original
- zh 正本使用说明书
- zh 原始使用說明書
- th หนังสือคู่มือการใช้งานฉบับต้นแบบ
- id Petunjuk-Petunjuk untuk Penggunaan Orisinal
- vi Bản gốc hướng dẫn sử dụng
- ar دليل التشغيل الأصلي
- fa دفترچه راهنمای اصلی



| | | |
|------------------------|---------|-----|
| English | Page | 5 |
| Français | Page | 15 |
| Português | Página | 26 |
| 中文 | 页 | 37 |
| 繁體中文 | 頁 | 47 |
| ไทย | หน้า | 56 |
| Bahasa Indonesia | Halaman | 69 |
| Tiếng Việt | Trang | 80 |
| عربي | الصفحة | 92 |
| فارسی | صفحه | 103 |





English

Safety Instructions

General Power Tool Safety Warnings

⚠ WARNING Read all safety warnings, instructions, illustrations and specifications provided with this power tool. Failure to follow all instructions listed below may result in electric shock, fire and/or serious injury.

Save all warnings and instructions for future reference.

The term "power tool" in the warnings refers to your mains-operated (corded) power tool or battery-operated (cordless) power tool.

Work area safety

- ▶ **Keep work area clean and well lit.** Cluttered or dark areas invite accidents.
- ▶ **Do not operate power tools in explosive atmospheres, such as in the presence of flammable liquids, gases or dust.** Power tools create sparks which may ignite the dust or fumes.
- ▶ **Keep children and bystanders away while operating a power tool.** Distractions can cause you to lose control.

Electrical safety

- ▶ **Power tool plugs must match the outlet. Never modify the plug in any way. Do not use any adapter plugs with earthed (grounded) power tools.** Unmodified plugs and matching outlets will reduce risk of electric shock.
- ▶ **Avoid body contact with earthed or grounded surfaces, such as pipes, radiators, ranges and refrigerators.** There is an increased risk of electric shock if your body is earthed or grounded.
- ▶ **Do not expose power tools to rain or wet conditions.** Water entering a power tool will increase the risk of electric shock.
- ▶ **Do not abuse the cord. Never use the cord for carrying, pulling or unplugging the power tool. Keep cord away from heat, oil, sharp edges or moving parts.** Damaged or entangled cords increase the risk of electric shock.
- ▶ **When operating a power tool outdoors, use an extension cord suitable for outdoor use.** Use of a cord suitable for outdoor use reduces the risk of electric shock.

- ▶ **If operating a power tool in a damp location is unavoidable, use a residual current device (RCD) protected supply.** Use of an RCD reduces the risk of electric shock.

Personal safety

- ▶ **Stay alert, watch what you are doing and use common sense when operating a power tool. Do not use a power tool while you are tired or under the influence of drugs, alcohol or medication.** A moment of inattention while operating power tools may result in serious personal injury.
- ▶ **Use personal protective equipment. Always wear eye protection.** Protective equipment such as a dust mask, non-skid safety shoes, hard hat or hearing protection used for appropriate conditions will reduce personal injuries.
- ▶ **Prevent unintentional starting. Ensure the switch is in the off-position before connecting to power source and/or battery pack, picking up or carrying the tool.** Carrying power tools with your finger on the switch or energising power tools that have the switch on invites accidents.
- ▶ **Remove any adjusting key or wrench before turning the power tool on.** A wrench or a key left attached to a rotating part of the power tool may result in personal injury.
- ▶ **Do not overreach. Keep proper footing and balance at all times.** This enables better control of the power tool in unexpected situations.
- ▶ **Dress properly. Do not wear loose clothing or jewellery. Keep your hair and clothing away from moving parts.** Loose clothes, jewellery or long hair can be caught in moving parts.
- ▶ **If devices are provided for the connection of dust extraction and collection facilities, ensure these are connected and properly used.** Use of dust collection can reduce dust-related hazards.
- ▶ **Do not let familiarity gained from frequent use of tools allow you to become complacent and ignore tool safety principles.** A careless action can cause severe injury within a fraction of a second.

Power tool use and care

- ▶ **Do not force the power tool. Use the correct power tool for your application.** The correct power tool will do the job better and safer at the rate for which it was designed.
- ▶ **Do not use the power tool if the switch does not turn it on and off.** Any power tool that cannot be controlled with the switch is dangerous and must be repaired.
- ▶ **Disconnect the plug from the power source and/or remove the battery pack, if detachable, from the power tool before making any adjustments, changing ac-**

cessories, or storing power tools. Such preventive safety measures reduce the risk of starting the power tool accidentally.

- ▶ **Store idle power tools out of the reach of children and do not allow persons unfamiliar with the power tool or these instructions to operate the power tool.** Power tools are dangerous in the hands of untrained users.
- ▶ **Maintain power tools and accessories. Check for misalignment or binding of moving parts, breakage of parts and any other condition that may affect the power tool's operation. If damaged, have the power tool repaired before use.** Many accidents are caused by poorly maintained power tools.
- ▶ **Keep cutting tools sharp and clean.** Properly maintained cutting tools with sharp cutting edges are less likely to bind and are easier to control.
- ▶ **Use the power tool, accessories and tool bits etc. in accordance with these instructions, taking into account the working conditions and the work to be performed.** Use of the power tool for operations different from those intended could result in a hazardous situation.
- ▶ **Keep handles and grasping surfaces dry, clean and free from oil and grease.** Slippery handles and grasping surfaces do not allow for safe handling and control of the tool in unexpected situations.

Battery tool use and care

- ▶ **Recharge only with the charger specified by the manufacturer.** A charger that is suitable for one type of battery pack may create a risk of fire when used with another battery pack.
- ▶ **Use power tools only with specifically designated battery packs.** Use of any other battery packs may create a risk of injury and fire.
- ▶ **When battery pack is not in use, keep it away from other metal objects, like paper clips, coins, keys, nails, screws or other small metal objects, that can make a connection from one terminal to another.** Shorting the battery terminals together may cause burns or a fire.
- ▶ **Under abusive conditions, liquid may be ejected from the battery; avoid contact. If contact accidentally occurs, flush with water. If liquid contacts eyes, additionally seek medical help.** Liquid ejected from the battery may cause irritation or burns.
- ▶ **Do not use a battery pack or tool that is damaged or modified.** Damaged or modified batteries may exhibit unpredictable behaviour resulting in fire, explosion or risk of injury.
- ▶ **Do not expose a battery pack or tool to fire or excessive temperature.** Exposure to fire or temperature above 130°C may cause explosion.

- ▶ **Follow all charging instructions and do not charge the battery pack or tool outside the temperature range specified in the instructions.** Charging improperly or at temperatures outside the specified range may damage the battery and increase the risk of fire.

Service

- ▶ **Have your power tool serviced by a qualified repair person using only identical replacement parts.** This will ensure that the safety of the power tool is maintained.
- ▶ **Never service damaged battery packs.** Service of battery packs should only be performed by the manufacturer or authorized service providers.

Safety Warnings for Screwdrivers

- ▶ **Hold the power tool by insulated gripping surfaces, when performing an operation where the fastener may contact hidden wiring.** Fasteners contacting a "live" wire may make exposed metal parts of the power tool "live" and could give the operator an electric shock.
- ▶ **Use suitable detectors to determine if there are hidden supply lines or contact the local utility company for assistance.** Contact with electric cables can cause fire and electric shock. Damaging gas lines can lead to explosion. Breaking water pipes causes property damage.
- ▶ **Hold the power tool securely.** When tightening and loosening screws be prepared for temporarily high torque reactions.
- ▶ **Before any work on the power tool (e.g. maintenance, tool change, etc.) as well as during transport and storage, set the rotational direction switch to the middle position.** There is risk of injury from unintentionally pressing the on/off switch.
- ▶ **Secure the workpiece.** A workpiece clamped with clamping devices or in a vice is held more secure than by hand.
- ▶ **Always wait until the power tool has come to a complete stop before placing it down.** The application tool can jam and cause you to lose control of the power tool.



Protect the power tool against heat, e.g. against continuous intense sunlight, fire, water, and moisture. There is a risk of explosion.

Safety instructions for power supply

- ▶ **This power supply is not intended for use by children or persons with physical, sensory or mental limitations or a lack of experience or knowledge. This power supply can be used by children aged 8 or older and by persons who have physical, sensory or mental limitations or a lack of experience or knowledge if a per-**

son responsible for their safety supervises them or has instructed them in the safe operation of the power supply and they understand the associated dangers.

Otherwise, there is a risk of operating errors and injuries.



Do not expose the power supply to rain or wet conditions. Water entering the power supply will increase the risk of electric shock.

- ▶ **Keep the power supply clean.** Dirt poses a risk of electric shock.
- ▶ **Always check the power supply before use. Stop using the power supply if you discover any damage. Do not open the power supply yourself, and have it repaired only by a qualified specialist using only original replacement parts.** Damaged power supplies increase the risk of electric shock.

Product Description and Specifications



Read all the safety and general instructions. Failure to observe the safety and general instructions may result in electric shock, fire and/or serious injury.

Please observe the illustrations at the be-

ginning of this operating manual.

Intended Use

The power tool is intended for screwing in and loosening screws.

Product features

The numbering of the product features refers to the diagram of the power tool on the graphics page.

- (1) Screwdriver bit
- (2) Tool holder
- (3) Torque presetting ring
- (4) On/off switch
- (5) Rotational direction switch
- (6) Battery charge indicator
- (7) Micro USB port
- (8) Handle (insulated gripping surface)
- (9) USB cable

10 | English

(10) Power supply^{b)}

- a) **Accessories shown or described are not included with the product as standard. You can find the complete selection of accessories in our accessories range.**

Technical data

| Cordless Screwdriver | | GO |
|---|-------------------|----------------------|
| Article number | | 3 601 JH2 1.. |
| Rated voltage | V= | 3.6 |
| No-load speed ^{A)} | min ⁻¹ | 360 |
| Max. torque, hard/soft screwdriving application according to ISO 5393 ^{A)} | Nm | 5/2.5 |
| Max. screw diameter | mm | 5 |
| Weight according to EPTA-Procedure 01:2014 | kg | 0.31 |
| Recommended ambient temperature during charging | °C | +5 to +45 |
| Permitted ambient temperature during operation ^{B)} and during storage | °C | -20 to +50 |
| Battery | | Li-ion |
| Capacity | Ah | 1.5 |
| Energy | Wh | 6 |
| Number of battery cells | | 1 |
| Charging time ^{A)} | h | 1.5 |
| Charging cable connection | | Micro-USB |
| Recommended chargers | V/mA | 5/1000 |

A) measured at 20 - 25 °C

B) Limited performance at temperatures <0 °C

Charger

| | | |
|----------------|--|---------------|
| Article number | | |
| - CN | | 1 607 000 CH1 |
| - TW | | 1 600 A01 3A3 |
| - UK | | 2 609 120 718 |
| - EU | | 2 609 120 713 |

Charger

| | | |
|--------------------------|----|---------------|
| - AU | | 2 609 120 717 |
| Battery charging voltage | V | 5 |
| Charge current | mA | 1000 |
| Protection class | | □ / II |

Assembly

- **Before any work on the power tool (e.g. maintenance, tool change, etc.) as well as during transport and storage, set the rotational direction switch to the middle position.** There is a risk of injury if the power tool is started up accidentally.

Battery Charging (see figure A)

Note: The battery is supplied partially charged. To ensure the maximum performance of the battery, use the power adaptor to fully charge the battery before first use.

The lithium-ion battery can be charged at any time without reducing its service life. Interrupting the charging process does not damage the battery.

The lithium-ion battery is protected against deep discharge by the "Electronic Cell Protection (ECP)". When the battery is discharged, the power tool is switched off by means of a protective circuit: The application tool stops moving.

- **Do not continue to apply pressure to the spindle after the power tool has automatically switched itself off.** This can damage the battery.
- **Do not continue to press the On/Off switch after the power tool has automatically switched off.** The battery can be damaged.

Use a USB cable (9) to connect the power tool to the power supply (10).

The battery charge indicator (6) indicates the charging progress. The indicator flashes green during the charging process. When the battery is fully charged, the indicator is lit up green continuously.

During the charging process, the handle of the power tool will become warm. This is normal.

If you are not planning to use the power tool again soon, disconnect it from the power supply.

The power tool cannot be used during the charging process. It is not defective if it does not work during the charging process.

Follow the instructions on correct disposal.

Changing the Tool

- ▶ **Do not use two-sided screwdriver blades that are longer than 25 mm.**

Inserting the application tool

Push the application tool into the internal hexagon of the tool holder **(2)** until you hear it engage.

Removing the application tool

Pull the application tool off the tool holder **(2)**, using pliers if necessary.

Operation

Starting Operation

Setting the rotational direction (see figure B)

- ▶ **Do not use the rotational direction switch (5) when the power tool is in operation, as this may damage it.**

Clockwise rotation: To drive in screws, slide the rotational direction switch **(5)** forwards.

Anti-clockwise rotation: To loosen or unscrew screws, slide the rotational direction switch **(5)** backwards.

Locking the spindle (see figure C)

To lock the spindle in place, slide the rotational direction switch **(5)** into the middle position.

This allows screws to be driven in even when the battery is discharged and enables the power tool to be used as a screwdriver.

Preselecting the torque

The torque presetting ring **(3)** can be used to preselect the required torque in six stages. Once the set torque has been reached, the application tool will be stopped.

Stage 1:

Lower torque for driving in screws with a small diameter or for use with soft materials.

Stage 6:

Higher torque for driving in screws with a large diameter or for use with hard materials.

Switching On and Off

There are two ways to start up the power tool.

- Exert pressure on the spindle and maintain this pressure to continue using the power tool. **To switch it off**, stop exerting pressure on the spindle.
- Press the On/Off switch **(4)**. **To switch off**, release the on/off switch **(4)**.

Temperature-dependent overload protection

In normal conditions of use, the power tool cannot be overloaded. If the power tool is overloaded or the permitted battery temperature is exceeded, the electronics of the power tool will switch off until the temperature returns to within the optimum operating temperature range.

Protection against deep discharge

The lithium-ion battery is protected against deep discharge by the "Electronic Cell Protection (ECP)". When the battery is discharged, the power tool is switched off by means of a protective circuit: The application tool no longer rotates.

Maintenance and Service

Maintenance and Cleaning

- ▶ **Before any work on the power tool (e.g. maintenance, tool change, etc.) as well as during transport and storage, set the rotational direction switch to the middle position.** There is risk of injury from unintentionally pressing the on/off switch.
- ▶ **To ensure safe and efficient operation, always keep the power tool and the ventilation slots clean.**

If the battery is no longer working, please contact an authorised after-sales service agent for **Bosch** power tools.

In order to avoid safety hazards, if the power supply cord needs to be replaced, this must be done by **Bosch** or by an after-sales service centre that is authorised to repair **Bosch** power tools.

After-Sales Service and Application Service

Our after-sales service responds to your questions concerning maintenance and repair of your product as well as spare parts. You can find explosion drawings and information on spare parts at: **www.bosch-pt.com**

The Bosch product use advice team will be happy to help you with any questions about our products and their accessories.

In all correspondence and spare parts orders, please always include the 10-digit article number given on the nameplate of the product.

Malaysia

Robert Bosch Sdn. Bhd. (220975-V) PT/SMY
No. 8A, Jalan 13/6
46200 Petaling Jaya
Selangor
Tel.: (03) 79663194
Toll-Free: 1800 880188
Fax: (03) 79583838
E-Mail: kiathoe.chong@my.bosch.com
www.bosch-pt.com.my

You can find further service addresses at:

www.bosch-pt.com/serviceaddresses

Transport

The contained lithium-ion batteries are subject to the Dangerous Goods Legislation requirements. The batteries are suitable for road-transport by the user without further restrictions.

When shipping by third parties (e.g.: by air transport or forwarding agency), special requirements on packaging and labelling must be observed. For preparation of the item being shipped, consulting an expert for hazardous material is required.

Disposal



Power tools, rechargeable batteries, accessories and packaging should be sorted for environmental-friendly recycling.



Do not dispose of power tools and batteries/rechargeable batteries into household waste!

Battery packs/batteries:

Li-ion:

Please observe the notes in the section on transport (see "Transport", page 14).

► **Integrated batteries may only be removed for disposal by qualified personnel.**

Opening the housing shell can destroy the power tool.

Before you can remove the battery from the power tool, you will need to use the power tool until the battery is completely discharged. Unscrew the screws on the housing and remove the housing shell in order to remove the battery. To prevent a short circuit, disconnect the connectors on the battery one at a time and then isolate the poles. Even

when fully discharged, the battery still contains a residual capacity which can be released in case of a short circuit.

Français

Consignes de sécurité

Avertissements de sécurité généraux pour l'outil électrique

⚠ AVERTISSEMENT Lire tous les avertissements de sécurité, les instructions, les illustrations et les spécifications fournis avec cet outil électrique. Ne pas suivre les instructions énumérées ci-dessous peut provoquer un choc électrique, un incendie et/ou une blessure sérieuse.

Conserver tous les avertissements et toutes les instructions pour pouvoir s'y reporter ultérieurement.

Le terme "outil électrique" dans les avertissements fait référence à votre outil électrique alimenté par le secteur (avec cordon d'alimentation) ou votre outil électrique fonctionnant sur batterie (sans cordon d'alimentation).

Sécurité de la zone de travail

- ▶ **Conserver la zone de travail propre et bien éclairée.** Les zones en désordre ou sombres sont propices aux accidents.
- ▶ **Ne pas faire fonctionner les outils électriques en atmosphère explosive, par exemple en présence de liquides inflammables, de gaz ou de poussières.** Les outils électriques produisent des étincelles qui peuvent enflammer les poussières ou les fumées.
- ▶ **Maintenir les enfants et les personnes présentes à l'écart pendant l'utilisation de l'outil électrique.** Les distractions peuvent vous faire perdre le contrôle de l'outil.

Sécurité électrique

- ▶ **Il faut que les fiches de l'outil électrique soient adaptées au socle. Ne jamais modifier la fiche de quelque façon que ce soit. Ne pas utiliser d'adaptateurs avec des outils électriques à branchement de terre.** Des fiches non modifiées et des socles adaptés réduisent le risque de choc électrique.

- ▶ **Éviter tout contact du corps avec des surfaces reliées à la terre telles que les tuyaux, les radiateurs, les cuisinières et les réfrigérateurs.** Il existe un risque accru de choc électrique si votre corps est relié à la terre.
- ▶ **Ne pas exposer les outils électriques à la pluie ou à des conditions humides.** La pénétration d'eau à l'intérieur d'un outil électrique augmente le risque de choc électrique.
- ▶ **Ne pas maltraiter le cordon. Ne jamais utiliser le cordon pour porter, tirer ou débrancher l'outil électrique. Maintenir le cordon à l'écart de la chaleur, du lubrifiant, des arêtes vives ou des parties en mouvement.** Des cordons endommagés ou emmêlés augmentent le risque de choc électrique.
- ▶ **Lorsqu'on utilise un outil électrique à l'extérieur, utiliser un prolongateur adapté à l'utilisation extérieure.** L'utilisation d'un cordon adapté à l'utilisation extérieure réduit le risque de choc électrique.
- ▶ **Si l'usage d'un outil électrique dans un emplacement humide est inévitable, utiliser une alimentation protégée par un dispositif à courant différentiel résiduel (RCD).** L'usage d'un RCD réduit le risque de choc électrique.

Sécurité des personnes

- ▶ **Rester vigilant, regarder ce que vous êtes en train de faire et faire preuve de bon sens dans votre utilisation de l'outil électrique. Ne pas utiliser un outil électrique lorsque vous êtes fatigué ou sous l'emprise de drogues, de l'alcool ou de médicaments.** Un moment d'inattention en cours d'utilisation d'un outil électrique peut entraîner des blessures graves.
- ▶ **Utiliser un équipement de protection individuelle. Toujours porter une protection pour les yeux.** Les équipements de protection individuelle tels que les masques contre les poussières, les chaussures de sécurité antidérapantes, les casques ou les protections auditives utilisés pour les conditions appropriées réduisent les blessures.
- ▶ **Éviter tout démarrage intempestif. S'assurer que l'interrupteur est en position arrêt avant de brancher l'outil au secteur et/ou au bloc de batteries, de le ramasser ou de le porter.** Porter les outils électriques en ayant le doigt sur l'interrupteur ou brancher des outils électriques dont l'interrupteur est en position marche est source d'accidents.
- ▶ **Retirer toute clé de réglage avant de mettre l'outil électrique en marche.** Une clé laissée fixée sur une partie tournante de l'outil électrique peut donner lieu à des blessures.
- ▶ **Ne pas se précipiter. Garder une position et un équilibre adaptés à tout moment.** Cela permet un meilleur contrôle de l'outil électrique dans des situations inattendues.

- ▶ **S'habiller de manière adaptée. Ne pas porter de vêtements amples ou de bijoux. Garder les cheveux et les vêtements à distance des parties en mouvement.** Des vêtements amples, des bijoux ou les cheveux longs peuvent être pris dans des parties en mouvement.
- ▶ **Si des dispositifs sont fournis pour le raccordement d'équipements pour l'extraction et la récupération des poussières, s'assurer qu'ils sont connectés et correctement utilisés.** Utiliser des collecteurs de poussière peut réduire les risques dus aux poussières.
- ▶ **Rester vigilant et ne pas négliger les principes de sécurité de l'outil sous prétexte que vous avez l'habitude de l'utiliser.** Une fraction de seconde d'inattention peut provoquer une blessure grave.

Utilisation et entretien de l'outil électrique

- ▶ **Ne pas forcer l'outil électrique. Utiliser l'outil électrique adapté à votre application.** L'outil électrique adapté réalise mieux le travail et de manière plus sûre au régime pour lequel il a été construit.
- ▶ **Ne pas utiliser l'outil électrique si l'interrupteur ne permet pas de passer de l'état de marche à arrêt et inversement.** Tout outil électrique qui ne peut pas être commandé par l'interrupteur est dangereux et il faut le réparer.
- ▶ **Débrancher la fiche de la source d'alimentation et/ou enlever le bloc de batteries, s'il est amovible, avant tout réglage, changement d'accessoires ou avant de ranger l'outil électrique.** De telles mesures de sécurité préventives réduisent le risque de démarrage accidentel de l'outil électrique.
- ▶ **Conserver les outils électriques à l'arrêt hors de la portée des enfants et ne pas permettre à des personnes ne connaissant pas l'outil électrique ou les présentes instructions de le faire fonctionner.** Les outils électriques sont dangereux entre les mains d'utilisateurs novices.
- ▶ **Observer la maintenance des outils électriques et des accessoires. Vérifier qu'il n'y a pas de mauvais alignement ou de blocage des parties mobiles, des pièces cassées ou toute autre condition pouvant affecter le fonctionnement de l'outil électrique. En cas de dommages, faire réparer l'outil électrique avant de l'utiliser.** De nombreux accidents sont dus à des outils électriques mal entretenus.
- ▶ **Garder affûtés et propres les outils permettant de couper.** Des outils destinés à couper correctement entretenus avec des pièces coupantes tranchantes sont moins susceptibles de bloquer et sont plus faciles à contrôler.
- ▶ **Utiliser l'outil électrique, les accessoires et les lames etc., conformément à ces instructions, en tenant compte des conditions de travail et du travail à réaliser.**

L'utilisation de l'outil électrique pour des opérations différentes de celles prévues peut donner lieu à des situations dangereuses.

- ▶ **Il faut que les poignées et les surfaces de préhension restent sèches, propres et dépourvues d'huiles et de graisses.** Des poignées et des surfaces de préhension glissantes rendent impossibles la manipulation et le contrôle en toute sécurité de l'outil dans les situations inattendues.

Utilisation des outils fonctionnant sur batteries et précautions d'emploi

- ▶ **Ne recharger qu'avec le chargeur spécifié par le fabricant.** Un chargeur qui est adapté à un type de bloc de batteries peut créer un risque de feu lorsqu'il est utilisé avec un autre type de bloc de batteries.
- ▶ **N'utiliser les outils électriques qu'avec des blocs de batteries spécifiquement désignés.** L'utilisation de tout autre bloc de batteries peut créer un risque de blessure et de feu.
- ▶ **Lorsqu'un bloc de batteries n'est pas utilisé, le maintenir à l'écart de tout autre objet métallique, par exemple trombones, pièces de monnaie, clés, clous, vis ou autres objets de petite taille qui peuvent donner lieu à une connexion d'une borne à une autre.** Le court-circuitage des bornes d'une batterie entre elles peut causer des brûlures ou un feu.
- ▶ **Dans de mauvaises conditions, du liquide peut être éjecté de la batterie; éviter tout contact. En cas de contact accidentel, nettoyer à l'eau. Si le liquide entre en contact avec les yeux, rechercher en plus une aide médicale.** Le liquide éjecté des batteries peut causer des irritations ou des brûlures.
- ▶ **Ne pas utiliser un bloc de batteries ou un outil fonctionnant sur batteries qui a été endommagé ou modifié.** Les batteries endommagées ou modifiées peuvent avoir un comportement imprévisible provoquant un feu, une explosion ou un risque de blessure.
- ▶ **Ne pas exposer un bloc de batteries ou un outil fonctionnant sur batteries au feu ou à une température excessive.** Une exposition au feu ou à une température supérieure à 130°C peut provoquer une explosion.
- ▶ **Suivre toutes les instructions de charge et ne pas charger le bloc de batteries ou l'outil fonctionnant sur batteries hors de la plage de températures spécifiée dans les instructions.** Un chargement incorrect ou à des températures hors de la plage spécifiée de températures peut endommager la batterie et augmenter le risque de feu.

Maintenance et entretien

- ▶ **Faire entretenir l'outil électrique par un réparateur qualifié utilisant uniquement des pièces de rechange identiques.** Cela assure le maintien de la sécurité de l'outil électrique.
- ▶ **Ne jamais effectuer d'opération d'entretien sur des blocs de batteries endommagés.** Il convient que l'entretien des blocs de batteries ne soit effectué que par le fabricant ou les fournisseurs de service autorisés.

Consignes de sécurité pour visseuses

- ▶ **Tenir l'outil électrique par les surfaces de préhension, au cours d'une opération où la fixation peut être en contact avec un câblage caché.** Les fixations en contact avec un fil "sous tension" peuvent "mettre sous tension" les parties métalliques exposées de l'outil électrique et provoquer un choc électrique chez l'opérateur.
- ▶ **Utilisez un détecteur approprié pour vérifier s'il n'y a pas de conduites cachées ou contactez votre société de distribution d'eau locale.** Tout contact avec des câbles électriques peut provoquer un incendie ou un choc électrique. Tout endommagement d'une conduite de gaz peut provoquer une explosion. La perforation d'une conduite d'eau provoque des dégâts matériels.
- ▶ **Maintenez bien l'outil électroportatif en place.** Lors du serrage ou du desserrage des vis, des couples de réaction élevés peuvent survenir en peu de temps.
- ▶ **Placez toujours le sélecteur de sens de rotation en position médiane avant d'effectuer des travaux sur l'outil électroportatif (p. ex. travaux d'entretien, changement d'accessoire, etc.) et avant de le transporter ou de le ranger.** Il y a sinon risque de blessure lorsqu'on appuie par mégarde sur l'interrupteur Marche/Arrêt.
- ▶ **Bloquez la pièce à travailler.** Une pièce à travailler serrée par des dispositifs de serrage appropriés ou dans un étau est fixée de manière plus sûre que quand elle est tenue avec une main.
- ▶ **Avant de poser l'outil électroportatif, attendez que celui-ci soit complètement à l'arrêt.** L'outil risque de se coincer, ce qui entraînerait une perte de contrôle de l'outil électroportatif.



Conservez l'outil électroportatif à l'abri de la chaleur (ensoleillement direct, flamme), de l'eau et de l'humidité. Il y a sinon risque d'explosion.

Consignes de sécurité pour chargeurs

- ▶ **Ce chargeur secteur n'est pas prévu pour être utilisé par des enfants ou par des personnes souffrant d'un handicap physique, sensoriel ou mental ou manquant**

d'expérience ou de connaissances. Ce chargeur secteur peut être utilisé par des enfants (âgés d'au moins 8 ans) ou des personnes souffrant d'un handicap physique, sensoriel ou mental ou manquant d'expérience ou de connaissances, à condition qu'ils soient sous la surveillance d'une personne responsable de leur sécurité ou après avoir reçu des instructions sur la façon d'utiliser le chargeur secteur en toute sécurité et après avoir bien compris les dangers inhérents à son utilisation. Il y a sinon risque de blessures et d'utilisation inappropriée.



N'exposez pas le chargeur secteur à la pluie ou à l'humidité. La pénétration d'eau à l'intérieur du chargeur secteur accroît le risque de choc électrique.

- ▶ **Veillez à ce que le chargeur secteur reste propre.** Un encrassement augmente le risque de choc électrique.
- ▶ **Contrôlez le chargeur secteur avant chaque utilisation. N'utilisez plus le chargeur secteur si vous constatez des dommages. N'ouvrez pas le chargeur secteur vous-même. Ne confiez sa réparation qu'à un réparateur qualifié utilisant uniquement des pièces de rechange d'origine.** Un chargeur secteur endommagé augmente le risque de choc électrique.

Description des prestations et du produit



Lisez attentivement toutes les instructions et consignes de sécurité. Le non-respect des instructions et consignes de sécurité peut provoquer un choc électrique, un incendie et/ou entraîner de

graves blessures.

Référez-vous aux illustrations qui se trouvent au début de la notice d'utilisation.

Utilisation conforme

L'outil électroportatif est conçu pour visser et dévisser des vis.

Éléments constitutifs

La numérotation des éléments de l'appareil se réfère à la représentation de l'outil électroportatif sur la page graphique.

- (1) Embout de vissage
- (2) Porte-outil
- (3) Bague de présélection de couple

- (4) Interrupteur Marche/Arrêt
 - (5) Sélecteur de sens de rotation
 - (6) Indicateur d'état de charge de l'accu
 - (7) Prise micro-USB
 - (8) Poignée (surface de préhension isolée)
 - (9) Câble USB
 - (10) Chargeur secteur^{a)}
- a) **Les accessoires décrits ou illustrés ne sont pas tous compris dans la fourniture. Vous trouverez les accessoires complets dans notre gamme d'accessoires.**

Caractéristiques techniques

| Visseuse sans fil | | GO |
|---|-------------------|----------------------|
| Référence | | 3 601 JH2 1.. |
| Tension nominale | V= | 3,6 |
| Régime à vide ^{A)} | min ⁻¹ | 360 |
| Couple de vissage maxi (dur/tendre) selon ISO 5393 ^{A)} | Nm | 5/2,5 |
| Ø de vissage maxi | mm | 5 |
| Poids selon EPTA-Procédure 01:2014 | kg | 0,31 |
| Températures ambiantes recommandées pour la charge | °C | +5 ... +45 |
| Températures ambiantes autorisées pendant l'utilisation ^{B)} et pour le stockage | °C | -20 ... +50 |
| Accu | | Lithium-Ion |
| Capacité | Ah | 1,5 |
| Énergie | Wh | 6 |
| Nombre de cellules | | 1 |
| Temps de charge ^{A)} | h | 1,5 |
| Connecteur du câble de charge | | Micro-USB |
| Chargeurs recommandés | V/mA | 5/1000 |

A) mesuré à 20–25 °C

B) Performances réduites à des températures <0 °C

Chargeur

Référence

| | | |
|-----------------------------|----|---------------|
| - CN | | 1 607 000 CH1 |
| - TW | | 1 600 A01 3A3 |
| - UK | | 2 609 120 718 |
| - UE | | 2 609 120 713 |
| - AU | | 2 609 120 717 |
| Tension de charge de l'accu | V | 5 |
| Courant de charge | mA | 1 000 |
| Indice de protection | | □ / II |

Montage

- **Placez toujours le sélecteur de sens de rotation en position médiane avant d'effectuer des travaux sur l'outil électroportatif (p. ex. travaux d'entretien, changement d'accessoire, etc.) et avant de le transporter ou de le ranger.** Toute mise en marche intempestive de l'outil électroportatif peut causer des blessures.

Recharge de l'accu (voir figure A)

Remarque : L'accu est fourni partiellement chargé. Pour obtenir les performances maximales, chargez l'accu à fond avec le chargeur secteur avant la première utilisation.

L'accu Lithium-Ion peut être rechargé à tout moment, sans risquer de réduire sa durée de vie. Le fait d'interrompre le processus de charge n'endommage pas l'accu.

L'accu Lithium-Ion est protégé contre une décharge complète par l'électronique de protection des cellules « Electronic Cell Protection (ECP) ». Lorsque l'accu est déchargé, l'outil électroportatif s'arrête grâce à un dispositif d'arrêt de protection : l'accessoire de travail ne tourne plus.

- **Après une désactivation automatique de l'outil électroportatif, cessez d'exercer une pression sur la broche.** L'accu risquerait d'être endommagé.
- **Après l'arrêt automatique de l'outil électroportatif, n'appuyez plus sur l'interrupteur Marche/Arrêt.** L'accu pourrait être endommagé.

Raccordez l'outil électroportatif au chargeur (10) à l'aide d'un câble USB (9).

L'indicateur de niveau de charge (6) indique la progression de la charge. L'indicateur clignote vert lors de la charge. Dès que l'accu est complètement chargé, il cesse de clignoter et reste allumé en vert.

La poignée de l'outil électroportatif chauffe durant le processus de charge. Cela est normal.

Débranchez l'outil électroportatif du secteur en cas de non-utilisation prolongée.

Pendant le processus de charge, il n'est pas possible d'utiliser l'outil électroportatif ; ce dernier n'est toutefois pas défectueux, il fonctionnera normalement une fois l'accu rechargé.

Respectez les indications concernant la mise au rebut.

Changement d'accessoire

► **N'utilisez pas d'embouts de vissage doubles de plus de 25 mm de longueur.**

Montage d'un accessoire de travail

Insérez l'accessoire dans le six pans creux du porte-outil **(2)** jusqu'à ce qu'il s'enclenche de manière perceptible.

Retrait d'un accessoire de travail

Chassez l'accessoire du porte-outil **(2)** en utilisant si nécessaire une pince.

Mise en marche

Mise en marche

Sélection du sens de rotation (voir figure B)

► **N'actionnez le sélecteur de sens de rotation (5) que quand l'outil électroportatif est à l'arrêt. Ce dernier risque sinon d'être endommagé.**

Rotation droite : Pour visser des vis, poussez le sélecteur de sens de rotation **(5)** vers l'avant.

Rotation gauche : Pour desserrer ou dévisser des vis, poussez le sélecteur de sens de rotation **(5)** vers l'arrière.

Blocage de la broche (voir figure C)

Pour bloquer la broche, placez le sélecteur de sens de rotation **(5)** dans la position médiane.

Ceci permet de visser des vis même si l'accu est déchargé, autrement dit de se servir de l'outil électroportatif comme d'un tournevis à main.

Présélection du couple

La bague de présélection de couple **(3)** permet de pré régler le couple dans 6 positions. Dès que le couple réglé est atteint, l'accessoire de travail s'immobilise.

Position 1 :

Plus petit couple pour les vis de petit diamètre ou pour les vissages dans des matériaux tendres.

Position 6 :

Couple le plus élevé pour les vis de grand diamètre ou pour les vissages dans des matériaux durs.

Mise en marche/arrêt

L'outil électroportatif peut être mis en marche de deux façons :

- En exerçant une pression sur la broche et en maintenant la pression. **Pour arrêter** l'outil, cessez d'exercer la pression sur la broche.
- En actionnant l'interrupteur Marche/Arrêt **(4)**. **Pour arrêter** l'outil, relâchez l'interrupteur Marche/Arrêt **(4)**.

Protection contre les surcharges en cas de surchauffe

Si l'outil électroportatif est utilisé de manière conforme, tout risque de surcharge est exclu. En cas de trop forte sollicitation de l'outil ou de dépassement de la température admissible de l'accu, l'électronique arrête l'outil électroportatif jusqu'à ce qu'il ait suffisamment refroidi.

Protection contre les décharges profondes

L'accu Lithium-Ion est protégé contre une décharge complète par « Electronic Cell Protection (ECP) » (l'électronique de protection des cellules). Lorsque l'accu est déchargé, l'outil électroportatif s'arrête grâce à un dispositif d'arrêt de protection : l'accessoire de travail s'immobilise.

Entretien et Service après-vente

Nettoyage et entretien

- **Placez toujours le sélecteur de sens de rotation en position médiane avant d'effectuer des travaux sur l'outil électroportatif (p. ex. travaux d'entretien, changement d'accessoire, etc.) et avant de le transporter ou de le ranger.** Il y a sinon risque de blessure lorsqu'on appuie par mégarde sur l'interrupteur Marche/Arrêt.
- **Tenez toujours propres l'outil électroportatif ainsi que les fentes de ventilation afin d'obtenir un travail impeccable et sûr.**

Au cas où l'accu venait à ne plus fonctionner, adressez-vous à un centre de service après-vente agréé pour outillage **Bosch**.

Dans le cas où il s'avère nécessaire de remplacer le câble d'alimentation, confiez le remplacement à **Bosch** ou une station de Service Après-Vente agréée pour outillage **Bosch** afin de ne pas compromettre la sécurité.

Service après-vente et conseil utilisateurs

Notre Service après-vente répond à vos questions concernant la réparation et l'entretien de votre produit et les pièces de rechange. Vous trouverez des vues éclatées et des informations sur les pièces de rechange sur le site :

www.bosch-pt.com

L'équipe de conseil utilisateurs Bosch se tient à votre disposition pour répondre à vos questions concernant nos produits et leurs accessoires.

Pour toute demande de renseignement ou toute commande de pièces de rechange, précisez impérativement la référence à 10 chiffres figurant sur l'étiquette signalétique du produit.

Maroc

Robert Bosch Morocco SARL
53, Rue Lieutenant Mahroud Mohamed
20300 Casablanca
Tel.: +212 5 29 31 43 27
E-Mail : sav.outillage@ma.bosch.com

Vous trouverez d'autres adresses du service après-vente sous :

www.bosch-pt.com/serviceaddresses

Transport

Les accus Lithium-ion sont soumis à la réglementation relative au transport de matières dangereuses. Pour le transport par voie routière, aucune mesure supplémentaire n'a besoin d'être prise.

Lors d'une expédition par un tiers (par ex. transport aérien ou entreprise de transport), des mesures spécifiques doivent être prises concernant l'emballage et le marquage.

Pour la préparation de l'envoi, faites-vous conseiller par un expert en transport de matières dangereuses.

Élimination des déchets



Les outils électroportatifs, les accus ainsi que leurs accessoires et emballages doivent être rapportés dans un centre de recyclage respectueux de l'environnement.



Ne jetez pas les outils électroportatifs et les accus/piles avec les ordures ménagères !

Accus/piles :

Li-ion :

Veuillez respecter les indications se trouvant dans le chapitre Transport (voir « Transport », Page 25).

- ▶ **L'accu intégré ne doit être retiré que par une personne qualifiée et uniquement pour sa mise au rebut.** L'outil électroportatif risque d'être endommagé lors de l'ouverture du boîtier.

Avant de retirer l'accu de l'outil électroportatif, faites fonctionner l'outil électroportatif jusqu'à ce que l'accu soit entièrement déchargé. Dévissez les vis du boîtier et retirez la coque du boîtier. Pour éviter tout court-circuit, débranchez les connexions de l'accu séparément, l'une après l'autre, et isolez ensuite les pôles. Même à l'état déchargé, l'accu conserve une capacité résiduelle risquant de produire un courant en cas de court-circuit.

Português

Instruções de segurança

Instruções gerais de segurança para ferramentas eléctricas



AVISO

Devem ser lidas todas as indicações de segurança, instruções, ilustrações e especificações desta ferramenta

eléctrica. O desrespeito das instruções apresentadas abaixo poderá resultar em choque eléctrico, incêndio e/ou ferimentos graves.

Guarde bem todas as advertências e instruções para futura referência.

O termo "ferramenta eléctrica" utilizado a seguir nas indicações de advertência, refere-se a ferramentas eléctricas operadas com corrente de rede (com cabo de rede) e a ferramentas eléctricas operadas com acumulador (sem cabo de rede).

Segurança da área de trabalho

- ▶ **Mantenha a sua área de trabalho sempre limpa e bem iluminada.** Desordem ou áreas de trabalho insuficientemente iluminadas podem levar a acidentes.

- ▶ **Não trabalhar com a ferramenta eléctrica em áreas com risco de explosão, nas quais se encontrem líquidos, gases ou pós inflamáveis.** Ferramentas eléctricas produzem faíscas, que podem inflamar pós ou vapores.
- ▶ **Manter crianças e outras pessoas afastadas da ferramenta eléctrica durante a utilização.** No caso de distração é possível que perca o controlo sobre o aparelho.

Segurança eléctrica

- ▶ **A ficha de conexão da ferramenta eléctrica deve caber na tomada. A ficha não deve ser modificada de maneira alguma. Não utilizar uma ficha de adaptação junto com ferramentas eléctricas protegidas por ligação à terra.** Fichas não modificadas e tomadas apropriadas reduzem o risco de um choque eléctrico.
- ▶ **Evitar que o corpo possa entrar em contacto com superfícies ligadas à terra, como tubos, aquecimentos, fogões e frigoríficos.** Há um risco elevado devido a choque eléctrico, se o corpo estiver ligado à terra.
- ▶ **Manter o aparelho afastado de chuva ou humidade.** A infiltração de água numa ferramenta eléctrica aumenta o risco de choque eléctrico.
- ▶ **Não deverá utilizar o cabo para outras finalidades. Nunca utilizar o cabo para transportar a ferramenta eléctrica, para pendurá-la, nem para puxar a ficha da tomada. Manter o cabo afastado do calor, do óleo, de arestas afiadas ou de peças em movimento.** Cabos danificados ou emaranhados aumentam o risco de um choque eléctrico.
- ▶ **Se trabalhar com uma ferramenta eléctrica ao ar livre, só deverá utilizar cabos de extensão apropriados para áreas exteriores.** A utilização de um cabo de extensão apropriado para áreas exteriores reduz o risco de um choque eléctrico.
- ▶ **Se não for possível evitar o funcionamento da ferramenta eléctrica em áreas húmidas, deverá ser utilizado um disjuntor de corrente de avaria.** A utilização de um disjuntor de corrente de avaria reduz o risco de um choque eléctrico.

Segurança de pessoas

- ▶ **Esteja atento, observe o que está a fazer e tenha prudência ao trabalhar com a ferramenta eléctrica. Não utilizar uma ferramenta eléctrica quando estiver fatigado ou sob a influência de drogas, álcool ou medicamentos.** Um momento de descuido ao utilizar a ferramenta eléctrica, pode levar a lesões graves.
- ▶ **Utilizar equipamento de protecção individual. Utilizar sempre óculos de protecção.** A utilização de equipamento de protecção pessoal, como máscara de protecção contra pó, sapatos de segurança antiderrapantes, capacete de segurança ou protecção auricular, de acordo com o tipo e aplicação da ferramenta eléctrica, reduz o risco de lesões.

- ▶ **Evitar uma colocação em funcionamento involuntária. Assegure-se de que a ferramenta eléctrica esteja desligada, antes de conectá-la à alimentação de rede e/ou ao acumulador, antes de levantá-la ou de transportá-la.** Se tiver o dedo no interruptor ao transportar a ferramenta eléctrica ou se o aparelho for conectado à alimentação de rede enquanto estiver ligado, poderão ocorrer acidentes.
- ▶ **Remover ferramentas de ajuste ou chaves de boca antes de ligar a ferramenta eléctrica.** Uma ferramenta ou chave que se encontre numa parte do aparelho em movimento pode levar a lesões.
- ▶ **Evite uma posição anormal. Mantenha uma posição firme e mantenha sempre o equilíbrio.** Desta forma é mais fácil controlar a ferramenta eléctrica em situações inesperadas.
- ▶ **Usar roupa apropriada. Não usar roupa larga nem jóias. Mantenha os cabelos e roupas afastados de peças em movimento.** Roupas frouxas, cabelos longos ou jóias podem ser agarrados por peças em movimento.
- ▶ **Se for possível montar dispositivos de aspiração ou de recolha, assegure-se de que estejam conectados e utilizados correctamente.** A utilização de uma aspiração de pó pode reduzir o perigo devido ao pó.
- ▶ **Não deixe que a familiaridade resultante de uma utilização frequente de ferramentas permita que você se torne complacente e ignore os princípios de segurança da ferramenta.** Uma acção descuidada pode causar ferimentos graves numa fracção de segundo.

Utilização e manuseio cuidadoso de ferramentas eléctricas

- ▶ **Não sobrecarregue a ferramenta eléctrica. Utilize a ferramenta eléctrica apropriada para o seu trabalho.** É melhor e mais seguro trabalhar com a ferramenta eléctrica apropriada na área de potência indicada.
- ▶ **Não utilizar uma ferramenta eléctrica com um interruptor defeituoso.** Uma ferramenta eléctrica que não pode mais ser ligada nem desligada, é perigosa e deve ser reparada.
- ▶ **Puxar a ficha da tomada e/ou remover o acumulador, se amovível, antes de executar ajustes na ferramenta eléctrica, de substituir acessórios ou de guardar as ferramentas eléctricas.** Esta medida de segurança evita o arranque involuntário da ferramenta eléctrica.
- ▶ **Guardar ferramentas eléctricas não utilizadas fora do alcance de crianças e não permitir que as pessoas que não estejam familiarizadas com o aparelho ou que não tenham lido estas instruções utilizem o aparelho.** Ferramentas eléctricas são perigosas se forem utilizadas por pessoas inexperientes.

- ▶ **Tratar a ferramenta eléctrica e os acessórios com cuidado. Controlar se as partes móveis do aparelho funcionam perfeitamente e não emperram, e se há peças quebradas ou danificadas que possam prejudicar o funcionamento da ferramenta eléctrica. Permitir que peças danificadas sejam reparadas antes da utilização.** Muitos acidentes têm como causa, a manutenção insuficiente de ferramentas eléctricas.
- ▶ **Manter as ferramentas de corte afiadas e limpas.** Ferramentas de corte cuidadosamente tratadas e com cantos de corte afiados emperram com menos frequência e podem ser conduzidas com maior facilidade.
- ▶ **Utilizar a ferramenta eléctrica, acessórios, ferramentas de aplicação, etc. conforme estas instruções. Considerar as condições de trabalho e a tarefa a ser executada.** A utilização de ferramentas eléctricas para outras tarefas a não ser as aplicações previstas, pode levar a situações perigosas.
- ▶ **Mantenha os punhos e as superfícies de agarrar secas, limpas e livres de óleo e massa consistente.** Punhos e superfícies de agarrar escorregadias não permitem o manuseio e controle seguros da ferramenta em situações inesperadas.

Manuseio e utilização cuidadosos de ferramentas com acumuladores

- ▶ **Só carregar acumuladores em carregadores recomendados pelo fabricante.** Há perigo de incêndio se um carregador apropriado para um certo tipo de acumuladores for utilizado para carregar acumuladores de outros tipos.
- ▶ **Só utilizar ferramentas eléctricas com os acumuladores apropriados.** A utilização de outros acumuladores pode levar a lesões e perigo de incêndio.
- ▶ **Manter o acumulador que não está sendo utilizado afastado de cliques, moedas, chaves, parafusos ou outros pequenos objectos metálicos que possam causar um curto-circuito dos contactos.** Um curto-circuito entre os contactos do acumulador pode ter como consequência queimaduras ou fogo.
- ▶ **No caso de aplicação incorrecta pode vaziar líquido do acumulador. Evitar o contacto. No caso de um contacto accidental, deverá enxaguar com água. Se o líquido entrar em contacto com os olhos, também deverá consultar um médico.** Líquido que escapa do acumulador pode levar a irritações da pele ou a queimaduras.
- ▶ **Não use um acumulador ou uma ferramenta danificada ou modificada.** Os acumuladores danificados ou modificados exibem um comportamento imprevisível podendo causar incêndio, explosão ou risco de lesão.
- ▶ **Não exponha o acumulador ou a ferramenta ao fogo ou temperatura excessiva.** A exposição ao fogo ou a temperaturas acima de 130 °C pode causar explosão.
- ▶ **Siga todas as instruções de carregamento e não carregue o acumulador ou a ferramenta fora da faixa de temperatura especificada no manual de instruções.**

Carregar indevidamente ou em temperaturas fora da faixa especificada pode danificar o acumulador e aumentar o risco de incêndio.

Serviço

- ▶ **Só permita que o seu aparelho seja reparado por pessoal especializado e qualificado e só com peças de reposição originais.** Desta forma é assegurado o funcionamento seguro do aparelho.
- ▶ **Nunca tente reparar acumuladores danificados.** A reparação de acumuladores deve ser realizada apenas pelo fabricante ou agentes de assistência autorizados.

Indicações de segurança para aparafusadoras

- ▶ **Segure a ferramenta elétrica nas superfícies de agarrar isoladas, ao executar uma operação onde o parafuso possa entrar em contacto com cabos escondidos.** O contacto do parafuso com um fio "sob tensão" irá colocar as partes metálicas expostas da ferramenta elétrica "sob tensão" e produzir um choque elétrico.
- ▶ **Utilizar detetores apropriados, para encontrar cabos escondidos, ou consulte a companhia elétrica local.** O contacto com cabos elétricos pode provocar fogo e choques elétricos. Danos em tubos de gás podem levar à explosão. A infiltração num cano de água provoca danos materiais.
- ▶ **Segure bem a ferramenta elétrica.** Ao apertar e soltar parafusos podem ocorrer temporariamente elevados momentos de reação.
- ▶ **Coloque o comutador do sentido de rotação na posição central antes de qualquer trabalho na ferramenta elétrica (p. ex. manutenção, troca de acessório, etc.), assim como para transporte e armazenamento.** Há perigo de ferimentos se o interruptor de ligar/desligar for acionado involuntariamente.
- ▶ **Fixar a peça a ser trabalhada.** Uma peça a ser trabalhada fixa com dispositivos de aperto ou com torno de bancada está mais firme do que segurada com a mão.
- ▶ **Esperre que a ferramenta elétrica pare completamente, antes de depositá-la.** A ferramenta de aplicação pode emperrar e levar à perda de controlo sobre a ferramenta elétrica.



Proteger a ferramenta elétrica contra calor, p. ex. também contra uma permanente radiação solar, fogo, água e humidade.
Há risco de explosão.

Instruções de segurança para fonte de alimentação

- ▶ **Esta fonte de alimentação não pode ser utilizada por crianças e pessoas com capacidades físicas, sensoriais ou mentais reduzidas, ou com insuficiente experiência e conhecimentos. Esta fonte de alimentação pode ser utilizada por**

crianças a partir dos 8 anos, assim como pessoas com capacidades físicas, sensoriais ou mentais reduzidas, ou com insuficiente experiência e conhecimentos, desde que as mesmas sejam supervisionadas por uma pessoa responsável ou recebam instruções acerca da utilização segura da fonte de alimentação e dos perigos provenientes da mesma. Caso contrário há perigo de operação errada e ferimentos.



Mantenha a fonte de alimentação afastada da chuva ou de humidade. A infiltração de água numa fonte de alimentação aumenta o risco de choque elétrico.

- ▶ **Mantenha a fonte de alimentação limpa.** Com sujidade existe o perigo de choque elétrico.
- ▶ **Verifique a fonte de alimentação antes de cada utilização. Não utilize a fonte de alimentação se detetar danos na mesma. Não abra a fonte de alimentação, as reparações devem ser levadas a cabo apenas por pessoal técnico qualificado e devem ser usadas somente peças de substituição originais.** Fontes de alimentação danificadas aumentam o risco de um choque elétrico.

Descrição do produto e do serviço



Leia todas as instruções de segurança e instruções. A inobservância das instruções de segurança e das instruções pode causar choque elétrico, incêndio e/ou ferimentos graves.

Respeite as figuras na parte da frente do manual de instruções.

Utilização adequada

O aparelho é destinado para apertar e soltar parafusos.

Componentes ilustrados

A numeração dos componentes ilustrados refere-se à apresentação da ferramenta elétrica na página de esquemas.

- (1) Bit de aparafusamento
- (2) Encabadouro
- (3) Anel de ajuste da pré-seleção do binário
- (4) Interruptor de ligar/desligar
- (5) Computador do sentido de rotação

32 | Português

- (6) Indicador do nível de carga da bateria
 - (7) Tomada Micro-USB
 - (8) Punho (superfície do punho isolada)
 - (9) Cabo USB
 - (10) Fonte de alimentação^{a)}
- a) **Acessórios apresentados ou descritos não pertencem ao volume de fornecimento padrão. Todos os acessórios encontram-se no nosso programa de acessórios.**

Dados técnicos

| Aparafusadora sem fio | | GO |
|--|-------------------|----------------------|
| Número de produto | | 3 601 JH2 1.. |
| Tensão nominal | V= | 3,6 |
| N.º de rotações em vazio ^{A)} | min ⁻¹ | 360 |
| Máx. binário de aparafusamento duro/macio conforme ISO 5393 ^{A)} | Nm | 5/2,5 |
| Ø máximo do parafuso | mm | 5 |
| Peso conforme EPTA-Procedure 01:2014 | kg | 0,31 |
| Temperatura ambiente recomendada durante o carregamento | °C | +5 ... +45 |
| Temperatura ambiente admissível em funcionamento ^{B)} e durante o armazenamento | °C | -20 ... +50 |
| Bateria | | lões de lítio |
| Capacidade | Ah | 1,5 |
| Energia | Wh | 6 |
| Número de elementos da bateria | | 1 |
| Tempo de carga ^{A)} | h | 1,5 |
| Ligação cabo de carregamento | | Micro USB |
| Carregadores recomendados | V/mA | 5/1 000 |

A) medido a 20–25 °C

B) potência limitada com temperaturas <0 °C

Carregador

Número de produto

Carregador

| | | |
|------------------------------|----|---------------|
| - CN | | 1 607 000 CH1 |
| - TW | | 1 600 A01 3A3 |
| - UK | | 2 609 120 718 |
| - UE | | 2 609 120 713 |
| - AU | | 2 609 120 717 |
| Tensão de carga para bateria | V | 5 |
| Corrente de carga | mA | 1000 |
| Classe de proteção | | □ / II |

Montagem

- ▶ **Coloque o comutador do sentido de rotação na posição central antes de qualquer trabalho na ferramenta elétrica (p. ex. manutenção, troca de acessório, etc.), assim como para transporte e armazenamento.** No caso de uma colocação inadvertida em funcionamento da ferramenta elétrica, existe perigo de ferimentos.

Carregar a bateria (ver figura A)

Nota: A bateria é fornecida parcialmente carregada. Para assegurar a máxima potência da bateria, a bateria deverá ser carregada completamente com a fonte de alimentação antes da primeira utilização.

A bateria de lítio pode ser carregada a qualquer altura, sem que a sua vida útil seja reduzida. Uma interrupção do processo de carga não danifica a bateria.

A bateria de íões de lítio está protegido contra descarga completa pelo sistema "Electronic Cell Protection (ECP)". A ferramenta elétrica é desligada através de um disjuntor de proteção, logo que a bateria estiver descarregada. A ferramenta de trabalho não se movimenta mais.

- ▶ **Depois do desligamento automático do aspirador não exerça mais pressão sobre o eixo.** A bateria pode ser danificada.
- ▶ **Não continuar a premir o interruptor de ligar/desligar após o desligamento automático da ferramenta elétrica.** A bateria pode ser danificada.

Ligue a ferramenta elétrica através do cabo USB **(9)** à fonte de alimentação **(10)**.

O indicador do nível de carga da bateria **(6)** mostra o processo de carregamento. Durante o carregamento, o indicador pisca a verde. A bateria está completamente carregada, quando o indicador está permanentemente verde.

Durante o carregamento, o punho da ferramenta elétrica aquece. Isto é normal. Em caso de uma não utilização prolongada, separe a ferramenta elétrica da alimentação elétrica.

A ferramenta elétrica não pode ser usada durante o aquecimento; não está com defeito se não funcionar enquanto está a carregar.

Observe as indicações sobre a eliminação de forma ecológica.

Troca de ferramenta

- ▶ **Não utilizar pontas de aparafusar duplas com um comprimento superior a 25 mm.**

Introduzir a ferramenta de trabalho

Introduza a ferramenta de trabalho no sextavado interior do encabadouro **(2)**, até esta engatar de forma perceptível.

Retirar a ferramenta de trabalho

Retire a ferramenta de trabalho do encabadouro **(2)**, se necessário, com a ajuda de uma pinça.

Funcionamento

Colocação em funcionamento

Ajustar o sentido de rotação (ver imagem B)

- ▶ **Acione o conversor do sentido de rotação (5) apenas com a ferramenta elétrica parada. Caso contrário podem ocorrer danos.**

Rotação à direita: para apertar os parafusos empurre o conversor do sentido de rotação **(5)** para a frente.

Rotação à esquerda: para soltar ou desapertar os parafusos empurre o conversor do sentido de rotação **(5)** para trás.

Fixar o veio (ver imagem C)

Para bloquear o veio, empurre o conversor do sentido de rotação **(5)** para a posição central.

Isso permite enroscar parafusos mesmo com a bateria descarregada ou rodar a ferramenta elétrica como chave de parafusos.

Pré-selecionar o binário

Com o anel de ajuste da pré-seleção do binário **(3)** pode pré-selecionar o binário necessário em 6 níveis. Assim que o binário ajustado seja alcançado, a ferramenta elétrica é parada.

Nível 1:

Binário mais pequeno para enroscar parafusos com diâmetro pequeno ou em materiais macios.

Nível 6:

Binário maior para enroscar parafusos com diâmetro grande em materiais duros.

Ligar/desligar

Existem duas possibilidades de colocar a ferramenta elétrica em funcionamento.

- Para a colocação em funcionamento, exerça pressão sobre o veio aquando da colocação em funcionamento e mantenha a pressão. **Para desligar** alivie a pressão do veio.
- Prima o interruptor de ligar/desligar **(4)**. **Para desligar** solte o interruptor de ligar/desligar **(4)**.

Indicador da proteção contra sobrecarga

Numa utilização correta, a ferramenta elétrica não pode ser sobrecarregada. Em caso de sobrecarga ou saída fora da faixa de temperatura permitida para a bateria, o sistema eletrónico desliga a ferramenta elétrica, até que volte a ser alcançada a temperatura ideal de funcionamento.

Proteção contra descarga completa

O acumulador de iões de lítio está protegido contra descarga completa pelo sistema "Electronic Cell Protection (ECP)". A ferramenta elétrica é desligada através de um disjuntor de proteção, logo que o acumulador estiver descarregado. A ferramenta de trabalho não se movimenta mais.

Manutenção e assistência técnica

Manutenção e limpeza

- ▶ **Coloque o comutador do sentido de rotação na posição central antes de qualquer trabalho na ferramenta elétrica (p. ex. manutenção, troca de acessório, etc.), assim como para transporte e armazenamento.** Há perigo de ferimentos se o interruptor de ligar/desligar for acionado involuntariamente.
- ▶ **Manter a ferramenta elétrica e as aberturas de ventilação sempre limpas, para trabalhar bem e de forma segura.**

Se a bateria já não estiver operacional, contacte um serviço pós-venda autorizado para ferramentas elétricas **Bosch**.

Se for necessário instalar um cabo de ligação, a instalação deve ser feita pela **Bosch** ou por um centro de serviço autorizado para ferramentas elétricas **Bosch**, para evitar perigos de segurança.

Serviço pós-venda e aconselhamento

O serviço pós-venda responde às suas perguntas a respeito de serviços de reparação e de manutenção do seu produto, assim como das peças sobressalentes. Desenhos expandidos e informações acerca das peças sobressalentes também em: **www.bosch-pt.com**

A nossa equipa de consultores Bosch esclarece com prazer todas as suas dúvidas a respeito dos nossos produtos e acessórios.

Indique para todas as questões e encomendas de peças sobressalentes a referência de 10 dígitos de acordo com a placa de características do produto.

Brasil

Robert Bosch Ltda. – Divisão de Ferramentas Elétricas

Rodovia Anhanguera, Km 98 - Parque Via Norte

13065-900, CP 1195

Campinas, São Paulo

Tel.: 0800 7045 446

www.bosch.com.br/contato

Encontra outros endereços da assistência técnica em:

www.bosch-pt.com/serviceaddresses

Transporte

As baterias de íões de lítio, contidas, estão sujeitas ao direito de materiais perigosos. As baterias podem ser transportadas na rua pelo utilizador, sem mais obrigações.

Na expedição por terceiros (por ex: transporte aéreo ou expedição), devem ser observadas as especiais exigências quanto à embalagem e à designação. Neste caso é necessário consultar um especialista de materiais perigosos ao preparar a peça a ser trabalhada.

Eliminação



As ferramentas elétricas, as baterias, os acessórios e as embalagens devem ser enviados a uma reciclagem ecológica de matéria prima.



Não deitar ferramentas elétricas e baterias/pilhas no lixo doméstico!

Baterias/pilhas:

Lítio:

Observar as indicações no capítulo Transporte (ver "Transporte", Página 36).

- ▶ **As baterias integradas só podem ser retiradas por pessoal especializado para serem eliminadas.** A abertura da carcaça pode causar a destruição da ferramenta elétrica.

Para remover a bateria da ferramenta elétrica, acione a ferramenta elétrica até a bateria ficar completamente descarregada. Desaperte os parafusos na carcaça e remova-a para poder retirar a bateria. Para evitar um curto-circuito, separe as ligações da bateria uma a uma e depois isole os polos. Mesmo com a bateria totalmente descarregada, ainda existe uma capacidade residual na bateria que pode ser libertada em caso de curto-circuito.

中文

安全规章

电动工具通用安全警告

- ⚠ **警告！** 阅读随电动工具提供的所有安全警告、说明、图示和规定。不遵照以下所列说明会导致电击、着火和/或严重伤害。

保存所有警告和说明书以备查阅。

警告中的术语“电动工具”是指市电驱动（有线）电动工具或电池驱动（无线）电动工具。

工作场地的安全

- ▶ 保持工作场地清洁和明亮。杂乱和黑暗的场地会引发事故。
- ▶ 不要在易爆环境，如有易燃液体、气体或粉尘的环境下操作电动工具。电动工具产生的火花会点燃粉尘或气体。
- ▶ 操作电动工具时，远离儿童和旁观者。注意力不集中会使你失去对工具的控制。

电气安全

- ▶ **电动工具插头必须与插座相配。绝不能以任何方式改装插头。需接地的电动工具不能使用任何转换插头。**未经改装的插头和相配的插座将降低电击风险。
- ▶ **避免人体接触接地表面，如管道、散热片和冰箱。**如果你身体接触接地表面会增加电击风险。
- ▶ **不得将电动工具暴露在雨中或潮湿环境中。**水进入电动工具将增加电击风险。
- ▶ **不得滥用软线。绝不能用软线搬运、拉动电动工具或拔出其插头。使软线远离热源、油、锐边或运动部件。**受损或缠绕的软线会增加电击风险。
- ▶ **当在户外使用电动工具时，使用适合户外使用的延长线。**适合户外使用的电线将降低电击风险。
- ▶ **如果无法避免在潮湿的环境中操作电动工具，应使用带有剩余电流装置（RCD）保护的电源。**RCD的使用可降低电击风险。

人身安全

- ▶ **保持警觉，当操作电动工具时关注所从事的操作并保持清醒。当你感到疲倦，或在有药物、酒精或治疗反应时，不要操作电动工具。**在操作电动工具时瞬间的疏忽会导致严重人身伤害。
- ▶ **使用个人防护装置。始终佩戴护目镜。**防护装置，诸如适当条件下使用防尘面具、防滑安全鞋、安全帽、听力防护等装置能减少人身伤害。
- ▶ **防止意外起动。在连接电源和/或电池包、拿起或搬运工具前确保开关处于关断位置。**手指放在开关上搬运工具或开关处于接通时通电会导致危险。
- ▶ **在电动工具接通之前，拿掉所有调节钥匙或扳手。**遗留在电动工具旋转零件上的扳手或钥匙会导致人身伤害。
- ▶ **手不要过分伸展。时刻注意立足点和身体平衡。**这样能在意外情况下能更好地控制住电动工具。
- ▶ **着装适当。不要穿宽松衣服或佩戴饰品。让你的头发和衣服远离运动部件。**宽松衣服、佩饰或长发可能会卷入运动部件。
- ▶ **如果提供了与排屑、集尘设备连接用的装置，要确保其连接完好且使用得当。**使用集尘装置可降低尘屑引起的危险。
- ▶ **不要因为频繁使用工具而产生的熟悉感而掉以轻心，忽视工具的安全准则。**某个粗心的动作可能在瞬间导致严重的伤害。

电动工具使用和注意事项

- ▶ **不要勉强使用电动工具，根据用途使用合适的电动工具。**选用合适的按照额定值设计的电动工具会使你工作更有效、更安全。

- ▶ **如果开关不能接通或关断电源，则不能使用该电动工具。**不能通过开关来控制的电动工具是危险的且必须进行修理。
- ▶ **在进行任何调节、更换附件或贮存电动工具之前，必须从电源上拔掉插头和/或卸下电池包（如可拆卸）。**这种防护性的安全措施降低了电动工具意外起动的风险。
- ▶ **将闲置不用的电动工具贮存在儿童所及范围之外，并且不允许不熟悉电动工具和不了解这些说明的人操作电动工具。**电动工具在未经培训的使用者手中是危险的。
- ▶ **维护电动工具及其附件。检查运动部件是否调整到位或卡住，检查零件破损情况和影响电动工具运行的其他状况。**如有损坏，应在使用前修理好电动工具。许多事故是由维护不良的电动工具引发的。
- ▶ **保持切削刀具锋利和清洁。**维护良好地有锋利切削刃的刀具不易卡住而且容易控制。
- ▶ **按照使用说明书，并考虑作业条件和要进行的作业来选择电动工具、附件和工具的刀头等。**将电动工具用于那些与其用途不符的操作可能会导致危险情况。
- ▶ **保持手柄和握持表面干燥、清洁，不得沾有油脂。**在意外的情况下，湿滑的手柄不能保证握持的安全和对工具的控制。

电池式工具使用和注意事项

- ▶ **仅使用生产者规定的充电器充电。**将适用于某种电池包的充电器用到其他电池包时可能会发生着火危险。
- ▶ **仅使用配有专用电池包的电动工具。**使用其他电池包可能会产生伤害和着火危险
- ▶ **当电池包不用时，将它远离其他金属物体，例如回形针、硬币、钥匙、钉子、螺钉或其他小金属物体，以防电池包一端与另一端连接。**电池组端部短路可能会引起燃烧或着火。
- ▶ **在滥用条件下，液体可能会从电池组中溅出；应避免接触。如果意外碰到液体，用水冲洗。如果液体碰到了眼睛，还应寻求医疗帮助。**从电池中溅出的液体可能会发生腐蚀或燃烧。
- ▶ **不要使用损坏或改装过的电池包或工具。**损坏或改装过的电池组可能呈现无法预测的结果，导致着火、爆炸或伤害。
- ▶ **不要将电池包暴露于火或者高温中。**电池包暴露于火或高于130°C的高温中可能导致爆炸。
- ▶ **遵守所有充电说明，给电池组或工具充电时不要超出说明中规定的温度范围。**错误充电或温度超出规定的范围可能会损坏电池并提高着火的风险。

维修

- ▶ **由专业维修人员使用相同的备件维修电动工具。**这将保证所维修的电动工具的安全。
- ▶ **决不能维修损坏的电池包。**电池包仅能由生产者或其授权的维修服务商进行维修。

针对起子机的安全规章

- ▶ **当在紧固件可能触及暗线的场合进行操作时,通过绝缘握持面握持工具。**紧固件碰到带电导线会使工具外露金属零件带电而使操作者遭受电击。
- ▶ **使用合适的侦测装置侦察隐藏的电线, 或者向当地的相关单位寻求支援。**接触电线可能引起火灾並让操作者触电。损坏了瓦斯管会引起爆炸。如果水管被刺穿了会导致财物损失。
- ▶ **请紧握电动工具。**拧紧和拧松螺丝时可能短时出现高反应扭矩。
- ▶ **对电动工具执行任何操作前(比如保养、更换刀具等)以及运输和存储过程中, 请将正逆转开关置于中间位置。**意外操作电源开关可能会造成伤害。
- ▶ **固定好工件。**使用固定装置或老虎钳固定工件, 会比用手持握工件更牢固。
- ▶ **等待电动工具完全静止后才能够放下机器。**机器上的工具可能在工作中被夹住, 而令您无法控制电动工具。



保护电动工具免受高温(例如长期日照)、火焰、水和湿气的侵害。有爆炸的危险。

插头电源安全规章

- ▶ **儿童和身体、感官或精神上有缺陷或缺乏经验与知识的人员不得使用本插头电源。**对于八岁以上的儿童和身体、感官或精神上有缺陷或缺乏经验与知识的人员, 倘若其得到负责其安全的人员监护或接受过监护人有关插头电源使用的指导并了解到可能的危险, 则可以使用本插头电源。否则会有误操作和人身伤害的危险。



不得将插头电源暴露在雨中或潮湿环境中。水进入插头电源将增加触电危险。

- ▶ **保持插头电源的清洁。**污染会产生触电的危险。
- ▶ **每次使用插头电源前都要进行检查。**一旦发现插头电源损坏, 请勿使用。请勿自行打开插头电源, 只能由具有相应资质的专业人员用原厂配件进行维修。损坏的插头电源会提高用户触电的危险。

产品和性能说明



请阅读所有安全规章和指示。不遵照以下警告和说明可能导致电击、着火和/或严重伤害。

请注意本使用说明书开头部分的图示。

按照规定使用

本电动工具适用于拧入和拧出螺丝。

插图上的机件

机件的编号和电动工具详解图上的编号一致。

- (1) 螺丝批嘴
 - (2) 工具夹头
 - (3) 扭矩预选调节环
 - (4) 电源开关
 - (5) 正逆转开关
 - (6) 充电电池电量指示灯
 - (7) Micro USB插口
 - (8) 手柄（绝缘握柄）
 - (9) USB电源线
 - (10) 电源适配器^{a)}
- a) 图表或说明上提到的附件，并不包含在基本的供货范围中。本公司的附件清单中有完整的附件供应项目。

技术参数

| 电动螺丝刀 | | G0 |
|--|------|---------------|
| 物品代码 | | 3 601 JH2 1.. |
| 额定电压 | V= | 3.6 |
| 空载转速 ^{A)} | 转/分钟 | 360 |
| 根据ISO 5393, 硬拧转/软拧转的最大扭矩 ^{A)} | 牛米 | 5/2.5 |
| 最大螺栓直径 | 毫米 | 5 |

42 | 中文

电动螺丝刀

G0

| | | |
|-----------------------------------|-------|------------|
| 重量符合EPTA-Procedure 01:2014 | 公斤 | 0.31 |
| 充电时建议的环境温度 | 摄氏度 | +5至+45 |
| 工作时允许的环境温度 ^{B)} 和存放时功率受限 | 摄氏度 | -20至+50 |
| 充电电池 | | 锂离子 |
| 电量 | 安培小时 | 1.5 |
| 电量 | 瓦特小时 | 6 |
| 充电电池单元数量 | | 1 |
| 充电时间 ^{A)} | 小时 | 1.5 |
| 充电线缆接口 | | Micro USB |
| 推荐的充电器 | 伏特/毫安 | 5/1000 |

A) 在20–25 °C下测量

B) 温度<0 摄氏度时功率受限

充电器

物品代码

| | | |
|--------|----|---------------|
| - CN | | 1 607 000 CH1 |
| - TW | | 1 600 A01 3A3 |
| - UK | | 2 609 120 718 |
| - EU | | 2 609 120 713 |
| - AU | | 2 609 120 717 |
| 电池充电电压 | 伏特 | 5 |
| 充电电流 | 毫安 | 1000 |
| 保护等级 | | □/II |

安装

- ▶ 对电动工具执行任何操作前（比如保养、更换刀具等）以及运输和存储过程中，请将正逆转开关置于中间位置。电动工具意外运行可能会造成伤害。

为充电电池充电（参见插图A）

提示：充电电池在交货时只完成部分充电。首度使用电动工具之前，必须先用电池适配器充足充电电池的电量，以确保充电电池的功率。

可以随时为锂离子电池充电，不会缩短电池的使用寿命。如果充电过程突然中断，也不会损坏电池。

本锂离子电池配备了电池电子保护装置（ECP），可以防止电池过度放电。电池的电量如果用尽了，保护开关会自动关闭电动工具：安装在机器上的工具刀头会停止转动。

▶ **电动工具自动关闭后请勿继续按压螺杆。** 否则可能会损坏充电电池。

▶ **电动工具被关闭之后，切勿继续按住起停开关。** 否则可能会损坏电池。

通过USB电缆(9)将电动工具连接到插头电源(10)上。

充电电池电量指示灯(6)显示充电进度。充电时指示灯呈绿色闪烁。如果指示灯长亮为绿色，则充电电池已充满电。

在充电过程中电动工具的手柄会变热，这是正常的现象。

电动工具长时间不用时，请断电。

在充电过程中无法使用电动工具；如果在充电过程中电动工具没有反应，并非机器故障。

请注意有关废弃处理的规定。

更换刀具

▶ **不可以使用长度超过25毫米的双端螺丝起子头。**

安装工具刀头

将工具刀头插入工具夹头(2)的内六角中，直至听到卡止声。

拆卸工具刀头

将工具刀头从工具夹头(2)上拔下，必要时可借助钳子。

运行

投入使用

调整旋转方向（参见插图B）

▶ **仅可在电动工具静止时操纵正逆转开关(5)。** 否则可能会造成损坏。

正转：向前推动正逆转开关(5)以旋入螺栓。

逆转：向后推动正逆转开关(5)以松开或旋出螺栓。

锁定螺杆 (参见插图C)

将正逆转开关**(5)**推到中间位置以锁定螺杆。

因此,即使充电电池没电了,也可以使用本电动工具拧入螺丝,换句话说,也可以使用本机器充当螺丝起子机。

预选扭矩

用扭矩预选调节环**(3)**可在6个档位中预选所需的扭矩。一旦达到设置的扭矩,工具刀头就会停下。

档位1:

旋入直径小的螺栓或将螺栓旋入软材料时所需扭矩较小。

档位6:

旋入直径大的螺栓或将螺栓旋入硬材料时所需扭矩较大。

电源开关

电动工具有两种运行方式。

- 对螺杆施加压力并保持住压力。**如要关闭**,需取消螺杆上施加的压力。
- 按电源开关**(4)**。**如要关闭**,松开电源开关**(4)**。

温的过载保护装置

按照规定使用时不会造成电动工具过载。负载过大或超过允许的充电电池温度时,电子装置会关闭电动工具,直到其恢复到最佳工作范围。

防止过度放电装置

本锂离子电池配备了电池电子保护装置 "Electronic Cell Protection (ECP)",可以防止电池过度放电。电池的电量如果用尽了,保护开关会自动关闭电动工具:安装在机器上的工具刀头会停止转动。

维修和服务

维护和清洁

- ▶ **对电动工具执行任何操作前(比如保养、更换刀具等)以及运输和存储过程中,请将正逆转开关置于中间位置。**意外操作电源开关可能会造成伤害。
- ▶ **电动工具和通气孔必须随时保持清洁,以确保工作效率和工作安全。**

如果充电电池失效,请向**Bosch**授权的客户服务中心求助。

如果必须更换连接线,务必把这项工作交给**Bosch**或者经授权的**Bosch**电动工具顾客服务执行,以避免危害机器的安全性能。

客户服务和应用咨询

本公司顾客服务处负责回答有关本公司产品的修理、维护和备件的问题。备件的展开图纸和信息也可查看：www.bosch-pt.com
博世应用咨询团队乐于就我们的产品及其附件问题提供帮助。
询问和订购备件时，务必提供机器铭牌上标示的10位数物品代码。

中国大陆

博世电动工具（中国）有限公司
中国 浙江省 杭州市
滨江区 滨康路567号
102/1F 服务中心
邮政编码：310052
电话：(0571)8887 5566 / 5588
传真：(0571)8887 6688 x 5566# / 5588#
电邮：bsc.hz@cn.bosch.com
www.bosch-pt.com.cn

制造商地址：

Robert Bosch Power Tools GmbH
罗伯特·博世电动工具有限公司
70538 Stuttgart / GERMANY
70538 斯图加特 / 德国

其他服务地址请见：

www.bosch-pt.com/serviceaddresses

搬运

随着机器一起供货的锂离子充电电池必须符合危险物品法规。使用者无须另外使用保护包装便可以运送该充电电池。

但是如果将它交由第三者运送（例如：寄空运或委托运输公司）则要使用特殊的包装和标示。此时必须向危险物品专家请教有关寄送危险物品的相关事宜。

处理废弃物



必须以符合环保的方式，回收再利用损坏的电动工具、充电电池、附件和废弃的包装材料。



不可以把电动工具和充电电池/蓄电池丢入一般的家庭垃圾中！

充电电池/电池:**锂离子:**

请注意“搬运”段落中的指示 (参见“搬运”, 页 45) 确认设置。

► **要进行废物处理, 只能由专业人员取下内置充电电池。** 打开壳体可能毁坏电动工具。

为了从电动工具上取出充电电池, 请操纵电动工具, 直至充电电池放完电为止。旋出外壳上的螺栓并取下壳体, 以便取出充电电池。为了防止短路, 请依次逐个断开充电电池上的连接并将它们和接线端绝缘。即使完全放电, 在充电电池中仍包含有短路情况下会释放的剩余电容。

产品中有害物质的名称及含量

| 部件名称 | 有害物质 | | | | | |
|-------------|-----------|-----------|-----------|----------------------------|---------------|---------------------|
| | 铅 (Pb) | 汞 (Hg) | 镉 (Cd) | 六价铬 (Cr ^{VI}) | 多溴联苯 (PBB) | 多溴二苯 醚 (PBDE) |
| 外壳的金属部分 | ○ | ○ | ○ | ○ | ○ | ○ |
| 外壳的非金属部分 | ○ | ○ | ○ | ○ | ○ | ○ |
| 机械传动机构 | X | ○ | ○ | ○ | ○ | ○ |
| 电机组件 | X | ○ | ○ | ○ | ○ | ○ |
| 控制组件 | X | ○ | ○ | ○ | ○ | ○ |
| 附件 | ○ | ○ | ○ | ○ | ○ | ○ |
| 配件 | ○ | ○ | ○ | ○ | ○ | ○ |
| 连接件 | X | ○ | ○ | ○ | ○ | ○ |
| 电源线* ① | ○ | ○ | ○ | ○ | ○ | ○ |
| 电池系统 * ② | X | ○ | ○ | ○ | ○ | ○ |

本表格依据SJ/T11364 的规定编制。

○: 表示该有害物质在该部件所有均质材料中的含量均在GB/T 26572 规定的限量要求以下。

X: 表示该有害物质至少在该部件的某一均质材料中的含量超出GB/T 26572规定的限量要求。且目前业界没有成熟的替代方案，符合欧盟RoHS 指令环保要求。

① 适用于采用电源线连接供电的产品。

② 适用于采用充电电池供电的产品。

产品环保使用期限内的使用条件参见产品说明书。

繁體中文

安全注意事項

電動工具一般安全注意事項

⚠ 警告

請詳讀工作臺及電動工具的所有安全警告與使用說明。

若不遵照以下列出的指示，將可能導致電擊、著火和/

或人員重傷。

保存所有警告和說明書以備查閱。

在所有警告中，「電動工具」此一名詞泛指：以市電驅動的（有線）電動工具或是以電池驅動的（無線）電動工具。

工作場地的安全

- ▶ **保持工作場地清潔和明亮。** 混亂和黑暗的場地會引發事故。
- ▶ **不要在易爆環境，如有易燃液體、氣體或粉塵的環境下操作電動工具。** 電動工具產生的火花會點燃粉塵或氣體。
- ▶ **讓兒童和旁觀者離開後操作電動工具。** 注意力不集中會使您失去對工具的控制。

電氣安全

- ▶ **電動工具插頭必須與插座相配。絕不能以任何方式改裝插頭。** 需接地的電動工具不能使用任何轉換插頭。未經改裝的插頭和相配的插座將減少電擊危險。
- ▶ **避免人體接觸接地表面，如管道、散熱片和冰箱。** 如果您身體接地會增加電擊危險。
- ▶ **不得將電動工具暴露在雨中或潮濕環境中。** 水進入電動工具將增加電擊危險。

- ▶ **不得濫用電線。** 絕不能用電線搬運、拉動電動工具或拔出其插頭。使電線遠離熱源、油、銳利邊緣或移動零件。受損或纏繞的軟線會增加電擊危險。
- ▶ **當在戶外使用電動工具時，使用適合戶外使用的延長線。** 適合戶外使用的軟線，將減少電擊危險。
- ▶ **如果在潮濕環境下操作電動工具是不可避免的，應使用剩餘電流動作保護器 (RCD)。** 使用RCD可降低電擊危險。

人身安全

- ▶ **保持警覺，當操作電動工具時關注所從事的操作並保持清醒。** 當您感到疲倦，或在有藥物、酒精或治療反應時，不要操作電動工具。在操作電動工具時瞬間的疏忽會導致嚴重人身傷害。
- ▶ **使用個人防護裝置。** 始終佩戴護目鏡。安全裝置，諸如適當條件下使用防塵面具、防滑安全鞋、安全帽、聽力防護等裝置能減少人身傷害。
- ▶ **防止意外起動。** 確保開關在連接電源和/或電池盒、拿起或搬運工具時處於關閉位置。手指放在已接通電源的開關上或開關處於接通時插入插頭可能會導致危險。
- ▶ **在電動工具接通之前，拿掉所有調節鑰匙或扳手。** 遺留在電動工具旋轉零件上的扳手或鑰匙會導致人身傷害。
- ▶ **手不要伸展得太長。** 時刻注意立足點和身體平衡。這樣在意外情況下能很好地控制電動工具。
- ▶ **著裝適當。** 不要穿寬鬆衣服或佩戴飾品。讓您的衣物及頭髮遠離運動部件。寬鬆衣服、佩飾或長髮可能會捲入運動部件中。
- ▶ **如果提供了與排屑、集塵設備連接用的裝置，要確保他們連接完好且使用得當。** 使用這些裝置可減少塵屑引起的危險。
- ▶ **切勿因經常使用工具所累積的熟練感而過度自信，輕忽工具的安全守則。** 任何一個魯莽的舉動都可能瞬間造成人員重傷。

電動工具使用和注意事項

- ▶ **不要濫用電動工具，根據用途使用適當的電動工具。** 選用適當設計的電動工具會使您工作更有效、更安全。
- ▶ **如果開關不能開啟或關閉工具電源，則不能使用該電動工具。** 不能用開關來控制的電動工具是危險的且必須進行修理。
- ▶ **在進行任何調整、更換配件或貯存電動工具之前，必須從電源上拔掉插頭並/或取出電池盒。** 這種防護性措施將減少工具意外起動的危險。
- ▶ **將閒置不用的電動工具貯存在兒童所及範圍之外，並且不要讓不熟悉電動工具或對這些說明不瞭解的人操作電動工具。** 電動工具在未經培訓的用戶手中是危險的。

- ▶ **保養電動工具與配備。** 檢查運動件是否調整到位或卡住，檢查零件破損情況和影響電動工具運行的其他狀況。如有損壞，電動工具應在使用前修理好。許多事故由維護不良的電動工具引發。
- ▶ **保持切削刀具鋒利和清潔。** 保養良好的有鋒利切削刃的刀具不易卡住而且容易控制。
- ▶ **按照使用說明書，考慮作業條件和進行的作業來使用電動工具、配件和工具的刀頭等。** 將電動工具用於那些與其用途不符的操作可能會導致危險。
- ▶ **把手及握持區應保持乾燥、潔淨，且不得沾染任何油液或油脂。** 易滑脫的把手及握持區將無法讓您在發生意外狀況時安全地抓緊並控制工具。

電池式工具使用和注意事項

- ▶ **只用製造商規定的充電器充電。** 將適用於某種電池盒的充電器用到其他電池盒時會發生著火危險。
- ▶ **只有在配有專用電池盒的情況下才使用電動工具。** 使用其他電池盒會發生損壞和著火危險。
- ▶ **當電池盒不用時，將它遠離其他金屬物體，例如回形針、硬幣、鑰匙、釘子、螺絲或其他小金屬物體，以防一端與另一端連接。** 電池端部短路會引起燃燒或火災。
- ▶ **在濫用條件下，液體會從電池中濺出；避免接觸。如果意外碰到了，用水沖洗。如果液體碰到了眼睛，還要尋求醫療幫助。** 從電池中濺出的液體會發生腐蝕或燃燒。
- ▶ **請勿使用已受損或經改裝的電池盒。** 已受損或經改裝的電池組可能出現無法預期的反應，進而導致著火、爆炸或造成人員受傷。
- ▶ **勿讓電池盒或工具靠近火源或暴露於異常溫度環境中。** 若是靠近火源或暴露在超過130 °C的環境中可能造成爆炸。
- ▶ **請完全遵照所有的充電說明，電池盒或工具的溫度若是超出指示的規定範圍，請勿進行充電。** 不當充電或是在規定的溫度範圍內進行充電，皆可能造成電池損壞並面臨更高的著火風險。

檢修

- ▶ **將您的電動工具送交專業維修人員，必須使用同樣的備件進行更換。** 這樣將確保所維修的電動工具的安全性。
- ▶ **請勿自行檢修受損的電池盒。** 電池組應交由製造商或是獲得授權的服務供應商來進行檢修。

起子機安全注意事項

- ▶ **進行作業時，固定釘可能會碰觸到隱藏的配線，請從絕緣握把處拿持電動工具。** 固定釘接觸到「導電」電線可能導致電動工具外露的金屬部件「導電」，進而使操作人員遭受電擊。

- ▶ 使用合適的偵測裝置偵察隱藏的電線，或者向當地的相關單位尋求支援。接觸電線可能引起火災並讓操作者觸電。若損壞瓦斯管會引起爆炸。如果水管被刺穿會導致財物損失。
- ▶ 請牢牢握緊電動工具。旋緊與鬆開螺栓時，瞬間可能有較大的反作用力。
- ▶ 對電動工具進行任何作業（例如維修、更換工具等等），以及搬運、儲藏本電動工具之前必須將正逆轉開關移至中間位置。若是不小心觸動起停開關，可能造成人員受傷。
- ▶ 固定好工件。使用固定裝置或老虎鉗固定工件，會比用手持握工件更牢固。
- ▶ 必須等待電動工具完全靜止後才能將它放下。嵌件工具可能卡住而使電動工具失控。



保護電動工具免受高溫（例如長期日照）、火焰、水液和濕氣的侵害。有爆炸的危險。

電源變壓器的安全注意事項

- ▶ 本電源變壓器不適合兒童以及身體、感官或心智能力有缺陷，或是缺乏相關經驗及知識的人士使用。8 歲以上兒童以及身體、感官或心智能力有缺陷，或是缺乏相關經驗及知識的人士，只要在他人監督下或接受過如何安全處置此電源變壓器的指導，並充份瞭解相關危險，即可使用該電源變壓器。否則可能會造成操作上的錯誤，進而使人員受傷。



不得將電源變壓器暴露在雨中或潮濕環境中。如有水滲入電源變壓器內，將增加觸電風險。

- ▶ 電源變壓器請保持乾淨。髒污亦有造成人員觸電之虞。
- ▶ 每次使用前，請仔細檢查電源變壓器。若有發現任何受損現象，請勿使用電源變壓器。請勿自行拆開電源變壓器，而是應該將它交由合格的專業技師以原廠替換零件進行維修。損壞的電源變壓器將增加觸電風險。

產品和功率描述



請詳讀所有安全注意事項和指示。如未遵守安全注意事項與指示，可能導致火災、人員觸電及/或重傷。

請留意操作說明書中最前面的圖

示。

依規定使用機器

本電動工具適用於旋入和鬆開螺栓。

插圖上的機件

機件的編號和電動工具詳解圖上的編號一致。

- (1) 螺絲起子工具頭
- (2) 工具夾座
- (3) 預設扭力調整環
- (4) 起停開關
- (5) 正逆轉開關
- (6) 充電電池的電量指示器
- (7) Micro USB 插孔
- (8) 把手（絕緣握柄）
- (9) USB 傳輸線
- (10) 電源變壓器^{a)}

a) 圖表或說明上提到的配件，並不包含在基本的供貨範圍中。本公司的配件清單中有完整的配件供應項目。

技術性數據

| 充電式起子機 | | GO |
|---|-------|----------------------|
| 產品機號 | | 3 601 JH2 1.. |
| 額定電壓 | V= | 3.6 |
| 無負載轉速 ^{A)} | 次 / 分 | 360 |
| 根據 ISO 5393，硬／軟材料鎖螺絲的最大扭力 ^{A)} | Nm | 5/2.5 |
| 最大螺栓直徑 | mm | 5 |
| 重量符合 EPTA-Procedure 01:2014 | kg | 0.31 |
| 充電狀態下的建議環境溫度 | °C | +5 ... +45 |
| 操作狀態下的容許環境溫度 ^{B)} 以及存放狀態下 | °C | -20 ... +50 |
| 充電電池 | | 鋰離子 |
| 容量 | Ah | 1.5 |

| 充電式起子機 | | GO |
|--------------------|------|-----------|
| 耗能 | Wh | 6 |
| 充電電池數量 | | 1 |
| 充電時間 ^{A)} | 小時 | 1.5 |
| 充電線連接孔 | | Micro-USB |
| 建議使用的充電器 | V/mA | 5/1000 |

A) 在20–25°C下測量

B) 溫度 <0 °C 時，性能受限

| 充電器 | | |
|-----------|----|---------------|
| 產品機號 | | |
| – CN | | 1 607 000 CH1 |
| – TW | | 1 600 A01 3A3 |
| – UK | | 2 609 120 718 |
| – EU | | 2 609 120 713 |
| – AU | | 2 609 120 717 |
| 充電電池的充電電壓 | V | 5 |
| 充電電流 | mA | 1000 |
| 絕緣等級 | | □/II |

安裝

- ▶ 對電動工具進行任何作業（例如維修、更換工具等等），以及搬運、儲藏本電動工具之前必須將正逆轉開關移至中間位置。電動工具若意外運轉，可能造成人員受傷。

為充電電池進行充電（請參考圖 A）

提示：出貨時充電電池已部分充電。初次使用電動工具之前，請先用電源變壓器將充電電池充飽電以確保充電電池蓄滿電力。

鋰離子充電電池可隨時充電，這樣做並不會縮短電池的使用壽命。如果突然中斷充電，電池也不會損壞。

鋰離子充電電池配備了「電池保護裝置（ECP）」，可以防止充電電池過度放電。充電電池的電量如果用盡了，保護開關會自動關閉電動工具：嵌件工具會停止轉動。

- ▶ 電動工具自動開機後，請勿再對轉軸施壓。否則充電電池可能會損壞。

► **電動工具自動關機後，請勿再按壓電源開關。** 否則充電電池可能會損壞。

請透過 USB 傳輸線 (9) 將電動工具連接至電源變壓器 (10)。

充電電池的電量指示器 (6) 用來示意充電進度。正在進行充電時，該顯示器將不斷閃爍綠燈。當指示器持續亮起綠燈時，表示充電電池已充飽電。

在充電過程中電動工具的把手會變熱，這是正常的現象。

若長時間不使用，請拔掉電動工具的電源。

充電期間將無法使用電動工具；如果電動工具在充電期間沒有反應，並非機器故障。

請您遵照廢棄物處理相關指示。

更換工具

► **不可以使用長度超過 25 mm 的雙端螺絲起子頭。**

安裝嵌件工具

將嵌件工具 插進工具夾座 (2) 的六角凹孔，直到感覺到它卡上為止。

拆卸嵌件工具

將嵌件工具 從工具夾座 (2) 上拔下，必要時可借助夾鉗。

操作

操作機器

設定旋轉方向 (請參考圖 B)

► **電動工具靜止時，才能操作正逆轉開關 (5)。** 否則將可能導致人員受傷或財物損失。

正轉：將正逆轉開關 (5) 往前推，即可旋入螺絲。

逆轉：將正逆轉開關 (5) 往後推，即可鬆開或旋出螺絲。

鎖定轉軸 (請參考圖 C)

若要鎖定轉軸，請將正逆轉開關 (5) 移至中間位置。

因此，即使充電電池沒電了，也可以使用本電動工具旋入螺絲，換句話說，也可以將本機器當做一般螺絲起子使用。

預設扭力

預設扭力調整環 (3) 總共提供 6 段不同的扭力選擇，您可利用它來預設所需扭力。一達到所設扭力後，嵌件工具隨即停止運轉。

1 檔：

扭力較小，用於旋入小直徑的螺絲或將螺絲鎖入軟性材料。

6 檔：

扭力較大，用於旋入大直徑的螺栓或將螺栓鎖入硬性材料。

啟動／關閉

讓電動工具開始運轉的方法共有兩種。

- 在轉軸上施壓，並讓施力方向保持垂直。若要**停止**運轉，只需不再對轉軸施壓即可。
- 按下起停開關 **(4)**。若要**停止**運轉，放開起停開關 **(4)** 即可。

溫控的過載保護裝置

只要按照規定使用，電動工具就不可能過載。萬一負載過重或充電電池的溫度已超出允許範圍，電動工具上的電子設備將自動暫時關機，直到溫度重新回到理想操作溫度的範圍內。

防止過度放電裝置

鋰離子充電電池配備了電池保護裝置「Electronic Cell Protection (ECP)」，可以防止充電電池過度放電。充電電池的電量如果用盡了，保護開關會自動關閉電動工具；嵌件工具會停止轉動。

維修和服務

維修和清潔

- ▶ 對電動工具進行任何作業（例如維修、更換工具等等），以及搬運、儲藏本電動工具之前必須將**正逆轉開關移至中間位置**。若是不小心觸動起停開關，可能造成人員受傷。
 - ▶ 電動工具和通風口都必須保持清潔，這樣才能夠提高工作品質和安全性。如果充電電池故障了，可以向 **Bosch** 電動工具公司授權的客戶服務中心求援。
- 如果必須更換連接線，請務必交由 **Bosch** 或者經授權的 **Bosch** 電動工具顧客服務執行，以避免危害機器的安全性能。

顧客服務處和顧客諮詢中心

本公司顧客服務處負責回答有關本公司產品的維修、維護和備用零件的問題。以下的網頁中有分解圖和備用零件相關資料：www.bosch-pt.com
如果對本公司產品及其配件有任何疑問，博世應用諮詢小組很樂意為您提供協助。

當您需要諮詢或訂購備用零件時，請務必提供本產品型號銘牌上 10 位數的產品機號。

台灣

台灣羅伯特博世股份有限公司
建國北路一段90 號6 樓
台北市10491
電話: (02) 7734 2588
傳真: (02) 2516 1176
www.bosch-pt.com.tw

製造商地址:

Robert Bosch Power Tools GmbH
羅伯特·博世電動工具有限公司
70538 Stuttgart / GERMANY
70538 斯圖加特/ 德國

以下更多客戶服務處地址：

www.bosch-pt.com/serviceaddresses

搬運

隨貨附上的鋰離子充電電池受危險物品法的規範。使用者無須另外使用保護包裝便可運送該充電電池。

但是如果將它交由第三者運送（例如：寄空運或委託運輸公司），則應遵照包裝與標示的相關要求。此時必須向危險物品專家請教有關寄送危險物品的相關事宜。

廢棄物處理

必須以符合環保的方式，將損壞的電動工具、充電電池、配件和包裝材料進行回收再利用。



不可以把電動工具和充電電池／拋棄式電池丟入一般家庭垃圾中！

充電電池／拋棄式電池：**鋰離子：**

請注意「搬運」段落中的指示（參見「搬運」，頁 55）。

- ▶ 如果是內建式充電電池，則必須由專業人員拆下後進行回收。任意拆開電動工具外殼，可能導致其毀損。

若欲將充電電池從電動工具中取出，請持續操作電動工具，讓充電電池的電力完全耗盡。卸下機殼上的螺栓後，拆開外殼，然後就可以將充電電池取出。為防短路，依序斷開充電電池的接點之後，請立刻為電池極片做好絕緣

保護。充電電池即使完全放電後，裡面仍會有殘留的餘電，可能在發生短路時釋出。

ไทย

คำเตือนเพื่อความปลอดภัย

คำเตือนเพื่อความปลอดภัยทั่วไปสำหรับเครื่องมือไฟฟ้า

⚠ คำเตือน อ่านคำเตือนเพื่อความปลอดภัย คำแนะนำ ภาพประกอบ และข้อมูลจำเพาะทั้งหมดที่จัดส่งมาพร้อมกับเครื่องมือไฟฟ้า

การไม่ปฏิบัติตามคำแนะนำทั้งหมดที่ระบุไว้ด้านล่างนี้อาจทำให้ถูกไฟฟ้าดูด เกิดไฟไหม้ และ/หรือได้รับบาดเจ็บอย่างร้ายแรง

เก็บรักษาคำเตือนและคำสั่งทั้งหมดสำหรับเปิดอ่านในภายหลัง

คำว่า "เครื่องมือไฟฟ้า" ในคำเตือนหมายถึง เครื่องมือไฟฟ้าของท่านที่ทำงานด้วยพลังงานไฟฟ้าจากแหล่งจ่ายไฟหลัก (มีสายไฟฟ้า) และเครื่องมือไฟฟ้าที่ทำงานด้วยพลังงานไฟฟ้าจากแบตเตอรี่ (ไร้สาย)

ความปลอดภัยในสถานที่ทำงาน

- ▶ **รักษาสถานที่ทำงานให้สะอาดและมีไฟส่องสว่างดี** สถานที่ที่มีมืดหรือรกรุงรังนำมาซึ่งอุบัติเหตุ
- ▶ **อย่าใช้เครื่องมือไฟฟ้าทำงานในสภาพบรรยากาศที่จุดติดไฟได้** เช่น ในที่มีมีของเหลวไวไฟ ก๊าซ หรือฝุ่น เมื่อใช้เครื่องมือไฟฟ้าจะเกิดประกายไฟซึ่งอาจจุดฝุ่นหรือไอให้ลุกเป็นไฟได้
- ▶ **ขณะใช้เครื่องมือไฟฟ้าทำงาน ต้องกันเด็กและผู้ยืนดูให้ออกห่าง** การหันเหความสนใจอาจทำให้ท่านขาดการควบคุมเครื่องได้

ความปลอดภัยเกี่ยวกับไฟฟ้า

- ▶ ปลั๊กของเครื่องมือไฟฟ้าต้องเหมาะสมพอดีกับเต้าเสียบ อย่าดัดแปลงปลั๊กไม่ว่าในลักษณะใดๆ อย่างเด็ดขาด อย่าใช้ปลั๊กพ่วงต่อใดๆ กับเครื่องมือไฟฟ้าที่มีสายดิน ปลั๊กที่ไม่ดัดแปลงและเต้าเสียบที่เข้ากันช่วยลดความเสี่ยงจากการถูกไฟฟ้าดูด
- ▶ หลีกเลี่ยงอย่าให้ร่างกายสัมผัสกับพื้นผิวที่ต่อสายดินหรือลงกราวด์ไว้ เช่น ท่อเครื่องทำความร้อน เตา และตู้เย็น จะเสี่ยงอันตรายจากการถูกไฟฟ้าดูดมากขึ้นหากกระแสไฟฟ้าวิ่งผ่านร่างกายของท่านลงดิน
- ▶ อย่าให้เครื่องมือไฟฟ้าถูกฝนหรืออยู่ในสภาพเปียกชื้น หากน้ำเข้าในเครื่องมือไฟฟ้า จะเพิ่มความเสี่ยงจากการถูกไฟฟ้าดูด
- ▶ อย่าใช้สายไฟฟ้าในทางที่ผิด อย่าใช้สายไฟฟ้าเพื่อยก ดึง หรือถอดปลั๊กเครื่องมือไฟฟ้า กันสายไฟฟ้าออกจากความรอน น้ำมัน ขอบแหลมคม หรือชิ้นส่วนที่เคลื่อนที่ สายไฟฟ้าที่ชำรุดหรือพันกันยุ่งเพิ่มความเสี่ยงจากการถูกไฟฟ้าดูด
- ▶ เมื่อใช้เครื่องมือไฟฟ้าทำงานกลางแจ้ง ให้ใช้สายไฟต่อที่เหมาะสมสำหรับการใช้งานกลางแจ้ง การใช้สายไฟต่อที่เหมาะสมสำหรับงานกลางแจ้งช่วยลดอันตรายจากการถูกไฟฟ้าดูด
- ▶ หากไม่สามารถหลีกเลี่ยงการใช้เครื่องมือไฟฟ้าทำงานในสถานที่เปียกชื้นได้ ให้ใช้สวิตช์ตัดวงจรเมื่อเกิดการรั่วไหลของไฟฟ้าจากสายดิน (RCD) การใช้สวิตช์ตัดวงจรเมื่อเกิดการรั่วไหลของไฟฟ้าจากสายดินช่วยลดความเสี่ยงต่อการถูกไฟฟ้าดูด

ความปลอดภัยของบุคคล

- ▶ ท่านต้องอยู่ในสภาพเตรียมพร้อม ระมัดระวังในสิ่งที่ท่านกำลังทำอยู่ และมีสติขณะใช้เครื่องมือไฟฟ้าทำงาน อย่าใช้เครื่องมือไฟฟ้าขณะที่ท่านกำลังเหนื่อย หรืออยู่ภายใต้การครอบงำของฤทธิ์ของยาเสพติด แอลกอฮอล์ และยา เมื่อใช้เครื่องมือไฟฟ้าทำงาน ในช่วงเวลาที่ท่านขาดความเอาใจใส่อาจทำให้บุคคลบาดเจ็บอย่างรุนแรงได้
- ▶ ใช้อุปกรณ์ป้องกันร่างกาย สวมแว่นตาป้องกันเสมอ อุปกรณ์ปกป้อง เช่น หน้ากากกันฝุ่น รองเท้ากันลื่น หมวกแข็ง หรือประบกทุกั้นเสียงดังที่เข้าตามความเหมาะสมกับสภาพการทำงาน จะลดการบาดเจ็บทางร่างกาย

- ▶ ป้องกันการติดเครื่องโดยไม่ตั้งใจ ตรวจสอบให้แน่ใจว่าสวิตช์อยู่ในตำแหน่งปิดก่อนเชื่อมต่อเข้ากับแหล่งจ่ายไฟ และ/หรือแบตเตอรี่แพ็ค ยกหรือถือเครื่องมือถือเครื่องโดยไม่ใช้นิ้วหัวที่สวิตช์ หรือเสียบปลั๊กไฟฟ้าขณะสวิตช์เปิดอยู่ อาจนำไปสู่อุบัติเหตุที่ร้ายแรงได้
- ▶ นำเครื่องมือปรับแต่งหรือประแจปากคายนอกก่อนเปิดสวิตช์เครื่องมือไฟฟ้า เครื่องมือหรือประแจปากคายนที่วางอยู่กึ่งส่วนของเครื่องที่กำลังหมุนจะทำให้บุคคลบาดเจ็บได้
- ▶ อย่าเอื้อมไกลเกินไป ตั้งทำขึ้นที่มั่นคงและวางน้ำหนักให้สมดุลตลอดเวลา ในลักษณะนี้ท่านสามารถควบคุมเครื่องมือไฟฟ้าในสถานการณ์ที่ไม่คาดคิดได้ดีกว่า
- ▶ แต่งกายอย่างเหมาะสม อย่าใส่เสื้อผ้าหลวมหรือสวมเครื่องประดับ เอาหมวกและเสื้อผ้าออกห่างจากชิ้นส่วนที่เคลื่อนที่ เสื้อผ้าหลวม เครื่องประดับ และผมยาวอาจเข้าไปติดในชิ้นส่วนที่เคลื่อนที่
- ▶ หากเครื่องมือไฟฟ้ามีข้อเชื่อมต่อกับเครื่องดูดฝุ่นหรือเครื่องเก็บผง ให้ตรวจสอบให้แน่ใจว่าได้เชื่อมต่อและใช้งานอย่างถูกต้อง การใช้อุปกรณ์ดูดฝุ่นช่วยลดอันตรายที่เกิดจากฝุ่นได้
- ▶ เมื่อใช้งานเครื่องมือขึงจะเกิดความเครียด อย่าให้ความเครียดเหล่านี้ให้ท่านเกิดความเสียหายและละเลยกฎเกณฑ์ด้านความปลอดภัยในการใช้งานเครื่อง การทำงานอย่างไม่ระมัดระวังอาจทำให้เกิดการบาดเจ็บอย่างร้ายแรงภายในเสี้ยววินาที

การใช้และการดูแลรักษาเครื่องมือไฟฟ้า

- ▶ อย่างผินกำลังเครื่องมือไฟฟ้า ใช้เครื่องมือไฟฟ้าที่ถูกต้องตรงตามลักษณะงานของท่าน เครื่องมือไฟฟ้าที่ถูกต้องจะทำงานได้ดีกว่าและปลอดภัยกว่าในระดับสมรรถภาพที่ออกแบบไว้
- ▶ อย่าใช้เครื่องมือไฟฟ้าถ้าสวิตช์ไม่สามารถเปิดปิดได้ เครื่องมือไฟฟ้าที่ไม่สามารถควบคุมการเปิดปิดด้วยสวิตช์ได้ เป็นเครื่องมือไฟฟ้าที่ไม่ปลอดภัยและต้องส่งซ่อมแซม
- ▶ ก่อนปรับแต่งเครื่อง เปลี่ยนอุปกรณ์ประกอบ หรือเก็บเครื่องเข้าที่ ต้องถอดปลั๊กออกจากแหล่งจ่ายไฟ และ/หรือถอดแบตเตอรี่แพ็คออกจากเครื่องมือไฟฟ้าหากถอดออกได้ มาตรการป้องกันเพื่อความปลอดภัยนี้ช่วยลดความเสี่ยงจากการติดเครื่องโดยไม่ตั้งใจ

- ▶ เมื่อเลิกใช้งานเครื่องมือไฟฟ้า ให้เก็บเครื่องไว้ในที่ที่เด็กหยิบไม่ถึง และไม่อนุญาตให้บุคคลที่ไม่คุ้นเคยกับเครื่องหรือบุคคลที่ไม่ได้อ่านคำแนะนำนำผู้ใช้เครื่องมือไฟฟ้าเป็นของอันตรายหากตกอยู่ในมือของผู้ใช้ที่ไม่ได้รับการฝึกฝน
- ▶ บำรุงรักษาเครื่องมือไฟฟ้าและอุปกรณ์ประกอบ ตรวจสอบชิ้นส่วนที่เคลื่อนที่ว่าวางไม่ตรงแนวหรือติดขัดหรือไม่ ตรวจสอบการแตกหักของชิ้นส่วนและสภาพอื่นใดที่อาจมีผลต่อการทำงานของเครื่องมือไฟฟ้า หากชำรุดต้องส่งเครื่องมือไฟฟ้าไปซ่อมแซมก่อนใช้งาน อุบัติเหตุหลายอย่างเกิดขึ้นเนื่องจากดูแลรักษาเครื่องมือผิด
- ▶ รักษาเครื่องมือตัดให้คมและสะอาด หากบำรุงรักษาเครื่องมือที่มีขอบตัดแหลมคมอย่างถูกต้อง จะสามารถตัดได้ลื่นไม่ติดขัดและควบคุมได้ง่ายกว่า
- ▶ ใช้เครื่องมือไฟฟ้า อุปกรณ์ประกอบ เครื่องมือ และอุปกรณ์อื่นๆ ตรงตามคำแนะนำเหล่านี้ โดยคำนึงถึงเงื่อนไขการทำงานและงานที่จะทำ การใช้เครื่องมือไฟฟ้าทำงานที่ต่างไปจากวัตถุประสงค์การใช้งานของเครื่องอาจนำไปสู่สถานการณ์ที่เ็นอันตรายได้
- ▶ ดูแลด้ามจับและพื้นผิวจับให้แห้ง สะอาด และปราศจากคราบน้ำมันและจาระบี ด้ามจับและพื้นผิวจับที่ลื่นทำให้หยิบจับได้ไม่ปลอดภัย และไม่สามารถควบคุมเครื่องมือในสถานการณ์ที่ไม่คาดคิด

การใช้และการดูแลรักษาเครื่องที่ใช้แบตเตอรี่

- ▶ ชาร์จไฟใหม่ด้วยเครื่องชาร์จที่บริษัทผู้ผลิตระบุไว้เท่านั้น เครื่องชาร์จที่เหมาะสมสำหรับชาร์จแบตเตอรี่แพ็คประเภทหนึ่ง หากนำไปชาร์จแบตเตอรี่แพ็คประเภทอื่น อาจเกิดไฟไหม้ได้
- ▶ ใช้เครื่องมือไฟฟ้าเฉพาะกับแบตเตอรี่แพ็คที่กำหนดไว้เท่านั้น การใช้แบตเตอรี่แพ็คประเภทอื่นเสี่ยงต่อการเกิดไฟไหม้หรือบาดเจ็บ
- ▶ เมื่อไม่ใช้งานแบตเตอรี่แพ็ค ให้เก็บไว้ห่างวัตถุที่เป็นโลหะอื่นๆ เช่น คลิปหนีบกระดาษ เหยียง คุญแจ ตะปู สกรู หรือวัตถุที่เป็นโลหะขนาดเล็กอื่นๆ ที่สามารถเชื่อมต่อขั้วหนึ่งไปยังอีกขั้วหนึ่งได้ การลัดวงจรของขั้วแบตเตอรี่อาจทำให้เกิดการไหม้หรือไฟลุกได้
- ▶ หากใช้แบตเตอรี่อย่างอาจมีของเหลวไหลออกมาจากแบตเตอรี่ได้ ให้หลีกเลี่ยงการสัมผัส หากสัมผัสโดยบังเอิญ ให้ใช้น้ำล้าง หากของเหลวเข้าตา ให้ขอความ

ช่วยเหลือจากแพทย์ด้วย

ของเหลวที่ไหลออกมาจากแบตเตอรี่อาจทำให้เกิดอาการคันหรือแสบผิวหนังได้

- ▶ **อย่าใช้แบตเตอรี่แพ็คหรือเครื่องมือที่ชาร์จหรือตัดแปลง**
แบตเตอรี่ที่ชาร์จหรือตัดแปลงอาจแสดงอาการที่ไม่สามารถคาดเดาได้ ส่งผลให้เกิดไฟไหม้ ระเบิด หรือความเสี่ยงต่อการได้รับบาดเจ็บ
- ▶ **อย่าให้แบตเตอรี่แพ็คหรือเครื่องมือสัมผัสไฟหรืออุณหภูมิที่สูงเกินไป** หากสัมผัสไฟหรืออุณหภูมิที่สูงกว่า 130 °C อาจทำให้เกิดการระเบิดได้
- ▶ **ปฏิบัติตามคำแนะนำเกี่ยวกับการชาร์จทั้งหมด และต้องไม่ชาร์จแบตเตอรี่แพ็คหรือเครื่องมือนอกช่วงอุณหภูมิที่กำหนดในคำแนะนำ** การชาร์จแบตเตอรี่อย่างไม่ถูกวิธีหรือนอกช่วงอุณหภูมิที่กำหนด อาจทำให้แบตเตอรี่เสียหายและเพิ่มความเสี่ยงต่อการเกิดไฟไหม้

การบริการ

- ▶ **ส่งเครื่องมือไฟฟ้าของท่านเข้ารับบริการจากช่างซ่อมที่มีคุณสมบัติเหมาะสม**
โดยช่างที่เหมือนกันเท่านั้น ในลักษณะนี้ท่านจะแน่ใจได้ว่าเครื่องมือไฟฟ้าอยู่ในสภาพที่ปลอดภัย
- ▶ **อย่าบำรุงรักษาแบตเตอรี่แพ็คที่ชาร์จอย่างเด็ดขาด** ต้องส่งให้บริษัทผู้ผลิตหรือศูนย์บริการที่ได้รับอนุญาตทำการบำรุงรักษาแบตเตอรี่แพ็คเท่านั้น

คำเตือนเพื่อความปลอดภัยสำหรับไขควง

- ▶ **เมื่อทำงานในบริเวณที่สกรูอาจสัมผัสสายไฟฟ้าที่ซ่อนอยู่** ต้องจับเครื่องมือไฟฟ้าตรงที่นิ้วจับที่หุ้มฉนวน หากสกรูสัมผัสสายที่ “มีกระแสไฟฟ้า” ไหลผ่าน จะทำให้ชิ้นส่วนโลหะที่ไม่ได้หุ้มฉนวนของเครื่องมือไฟฟ้าเกิด “มีกระแสไฟฟ้า” ด้วย และส่งผลให้ผู้ใช้งานเครื่องถูกไฟฟ้าดูดได้
- ▶ **ใช้เครื่องตรวจจับที่เหมาะสมเพื่อตรวจหาสายไฟฟ้าหรือท่อสาธารณูปโภคที่อาจซ่อนอยู่ในบริเวณทำงาน หรือติดต่อบริษัทสาธารณูปโภคในพื้นที่เพื่อขอความช่วยเหลือ** การสัมผัสกับสายไฟฟ้าอาจทำให้เกิดไฟไหม้หรือถูกไฟฟ้าดูด การทำให้ท่อแก๊สเสียหายอาจทำให้เกิดระเบิด การเจาะเข้าในท่อน้ำ ทำให้ทรัพย์สินเสียหาย
- ▶ **จับเครื่องมือไฟฟ้าให้แน่น** ขณะขันสกรูเข้าและคลายออกอาจเกิดแรงบิดสะท้อนช่วงสั้นๆ อย่างรุนแรงได้

- ▶ ก่อนทำการปรับแต่งใดๆ ที่เครื่องมือไฟฟ้า (ต. ย. เช่น บำรุงรักษา เปลี่ยนเครื่องมือ ฯลฯ) ตลอดจนเมื่อขนย้ายและเก็บรักษา ให้ตั้งสวิทช์เปลี่ยนทิศทางการหมุนไว้ที่ตำแหน่งกลาง อันตรายจากการบาดเจ็บหากสวิทช์เปิด-ปิดติดขึ้นโดยไม่ตั้งใจ
- ▶ ยึดชิ้นงานให้แน่น การยึดชิ้นงานด้วยเครื่องมือหนีบหรือแท่นจับจะมั่นคงกว่าการยึดด้วยมือ
- ▶ รอให้เครื่องมือไฟฟ้าหยุดสนิทก่อนวางเครื่องลงบนพื้น เครื่องมือที่ใส่อยู่อาจติดขัดและทำให้สูญเสียการควบคุมเครื่องมือไฟฟ้า



ปกป้องเครื่องมือไฟฟ้าจากความร้อน รวมทั้ง ต. ย. เช่น จากการถูกแสงแดดส่องต่อเนื่อง ไฟ น้ำ และความชื้น อันตรายจากการ

ระเบิด

คำเตือนเพื่อความปลอดภัยสำหรับเพาเวอร์ซัพพลาย

- ▶ ปลั๊กอะแดปเตอร์ AC นี้ไม่ได้มีไว้เพื่อการใช้งานโดยเด็กและบุคคลที่มีความบกพร่องทางกายภาพ ทางประสาทสัมผัส หรือทางจิตใจ หรือบุคคลที่ขาดประสบการณ์และความรู้ เด็กอายุตั้งแต่ 8 ปีขึ้นไปและบุคคลที่มีความบกพร่องทางกายภาพ ทางประสาทสัมผัส หรือทางจิตใจ หรือขาดประสบการณ์และความรู้สามารถใช้ปลั๊กอะแดปเตอร์ AC นี้ได้ หากได้รับการควบคุมดูแลจากบุคคลที่รับผิดชอบความปลอดภัยของพวกเขาหรือได้รับคำแนะนำขั้นตอนการใช้งานปลั๊กอะแดปเตอร์ AC อย่างปลอดภัยและเข้าใจถึงอันตรายที่เกี่ยวข้อง มิฉะนั้นจะมีอันตรายจากความผิดพลาดในการปฏิบัติงานและได้รับบาดเจ็บ



อย่าวางปลั๊กอะแดปเตอร์ AC ตกบนหรือทิ้งไว้ในที่ชื้นแฉะ หากน้ำเข้าไปในปลั๊กอะแดปเตอร์ AC จะเพิ่มความเสี่ยงต่อการถูกไฟฟ้าดูด

- ▶ รักษาปลั๊กอะแดปเตอร์ AC ให้สะอาด ความสกปรกอาจเป็นสาเหตุให้ถูกไฟฟ้าดูด
- ▶ ตรวจสอบปลั๊กอะแดปเตอร์ AC ก่อนใช้งานทุกครั้ง อย่าใช้ปลั๊กอะแดปเตอร์ AC หากท่านสังเกตเห็นความเสียหาย อย่าเปิดปลั๊กอะแดปเตอร์ AC ด้วยตัวเอง และให้ช่างผู้เชี่ยวชาญตรวจสอบและใช้อะไหล่เปลี่ยนของแท้เท่านั้น ปลั๊กอะแดปเตอร์ AC ที่ชำรุดจะเพิ่มความเสี่ยงต่อการถูกไฟฟ้าดูด

รายละเอียดผลิตภัณฑ์และข้อมูลจำเพาะ



อ่านค่าเตือนเพื่อความปลอดภัยและคำแนะนำทั้งหมด การไม่ปฏิบัติตามคำเตือนและคำสั่งอาจเป็นสาเหตุให้ถูกไฟฟ้าดูด เกิดไฟไหม้ และ/หรือได้รับบาดเจ็บอย่าง

ร้ายแรง

กรุณาดูภาพประกอบในส่วนหน้าของคู่มือการใช้งาน

ประโยชน์การใช้งานของเครื่อง

เครื่องนี้ใช้สำหรับขันสกรูเข้าและคลายสกรูออก

ส่วนประกอบที่แสดงภาพ

ลำดับเลขของส่วนประกอบผลิตภัณฑ์อ้างอิงถึงส่วนประกอบของเครื่องที่แสดงในหน้าภาพประกอบ

- (1) ดอกไขควง
 - (2) ด้ามจับเครื่องมือ
 - (3) แหวนตั้งแรงบิดล่วงหน้า
 - (4) สวิตช์เปิด-ปิด
 - (5) สวิตช์เปลี่ยนทิศทางการหมุน
 - (6) โฟลแสดงสถานะการชาร์จแบตเตอรี่
 - (7) พอร์ตไมโคร USB
 - (8) ด้ามจับ (พื้นผิวจับหุ้มฉนวน)
 - (9) สาย USB
 - (10) ปลั๊กจ่ายไฟ^{a)}
- a) อุปกรณ์ประกอบที่แสดงภาพหรืออธิบายไม่รวมอยู่ในการจัดส่งมาตรฐาน
กรุณาดูอุปกรณ์ประกอบทั้งหมดในรายการแสดงอุปกรณ์ประกอบของเรา

ข้อมูลทางเทคนิค


| ไขควงไร้สาย | | GO |
|--|--------------------|---------------------|
| หมายเลขสินค้า | | 3 601 JH2 1.. |
| แรงดันไฟฟ้าที่กัก | V= | 3.6 |
| ความเร็วรอบเดินเบา ^{A)} | รอบ/นาที | 360 |
| แรงบิดสูงสุดสำหรับการขันสกรูแบบแข็ง/แบบนุ่มตามมาตรฐาน ISO 5393 ^{A)} | นิวตันเมตร | 5/2.5 |
| Ø-สกรู สูงสุด | มม. | 5 |
| น้ำหนักตามระเบียบการ-EPTA-Procedure 01:2014 | กก. | 0.31 |
| อุณหภูมิโดยรอบที่แนะนำเมื่อชาร์จ | °C | +5 ... +45 |
| อุณหภูมิโดยรอบที่อนุญาตเมื่อใช้งาน ^{B)} และระหว่างการเก็บรักษา | °C | -20 ... +50 |
| แบตเตอรี่ | | ลิเทียมไอออน |
| ความจุ | แอมแปร์ ชั่วโมง | 1.5 |
| พลังงาน | วัตต์ ชั่วโมง | 6 |
| จำนวนเซลล์แบตเตอรี่ | | 1 |
| ระยะเวลาในการชาร์จ ^{A)} | ชม. | 1.5 |
| การเชื่อมต่อ สายชาร์จ | | Micro-USB |
| เครื่องชาร์จที่แนะนำ | โวลท์/มิลลิแอมแปร์ | 5/1000 |

A) วัดที่อุณหภูมิ 20–25 °C

B) สมรรถภาพจะน้อยลงที่อุณหภูมิ <0 °C

เครื่องชาร์จ

หมายเลขสินค้า

| | | |
|---------------------------|------------------|---|
| - CN | | 1 607 000 CH1 |
| - TW | | 1 600 A01 3A3 |
| - UK | | 2 609 120 718 |
| - EU | | 2 609 120 713 |
| - AU | | 2 609 120 717 |
| แรงดันไฟฟ้าชาร์จแบตเตอรี่ | โวลท์ | 5 |
| กระแสไฟชาร์จ | มิลลิ แอมแปร์ | 1000 |
| ระดับความปลอดภัย | |  // II |

การติดตั้ง

- ก่อนทำการปรับแต่งใดๆ ที่เครื่องมือไฟฟ้า (ค. ย. เช่น บำรุงรักษา เปลี่ยนเครื่องมือ ฯลฯ) ตลอดจนเมื่อขนย้ายและเก็บรักษา ให้ตั้งสวิตช์เปลี่ยนทิศทางการหมุนไว้ที่ตำแหน่งกลาง อันตรายจากการบาดเจ็บหากเปิดสวิตช์เครื่องมือไฟฟ้าโดยไม่ตั้งใจ

การชาร์จแบตเตอรี่ (ดูภาพประกอบ A)

หมายเหตุ: แบตเตอรี่แพ็คที่จัดส่งมาถูกชาร์จมาแล้วบางส่วน เพื่อให้แน่ใจว่าแบตเตอรี่จะทำงานได้อย่างสมบูรณ์แบบ ให้ชาร์จแบตเตอรี่ด้วยปลั๊กจ่ายไฟจนเต็มก่อนใช้งานเป็นครั้งแรก

แบตเตอรี่ลิเธียม ไอออน สามารถชาร์จได้ตลอดเวลาโดยอายุการใช้งานจะไม่ลดลง การขัดจังหวะกระบวนการชาร์จไม่ทำให้แบตเตอรี่แพ็คเสียหาย

“Electronic Cell Protection (ECP)” ช่วยป้องกันไม่ให้แบตเตอรี่ลิเธียม ไอออนจ่ายกระแสไฟออกอีก เมื่อแบตเตอรี่แพ็คหมดไฟ วงจรป้องกันจะดับสวิตช์เครื่องมือ มือที่ใส่อยู่จะไม่หมุนต่อ

- ▶ **อย่าให้แรงกดลงบนแกนอีกต่อไปหลังจากเครื่องมือไฟฟ้าปิดสวิตช์โดยอัตโนมัติ**
แบตเตอรี่อาจชำรุดได้
- ▶ **เมื่อเครื่องมือไฟฟ้าปิดสวิตช์ลงโดยอัตโนมัติ อย่ากดสวิตช์เปิด-ปิด อีกต่อไป**
แบตเตอรี่แพ็คอาจชำรุดได้

ใช้สาย USB (9) เชื่อมต่อเครื่องมือไฟฟ้าเข้ากับปลั๊กจ่ายไฟ (10)

ไฟแสดงสถานะการชาร์จแบตเตอรี่ (6) บ่งชี้ความคืบหน้าในการชาร์จ ในระหว่างกระบวนการชาร์จไฟแสดงจะกะพริบสีเขียว เมื่อแบตเตอรี่ถูกชาร์จเต็มแล้วไฟแสดงจะส่องสว่างสีเขียวอย่างถาวร

ในระหว่างกระบวนการชาร์จด้ามจับของเครื่องมือไฟฟ้าจะอุ่นขึ้น นี่คือเรื่องปกติ

เมื่อไม่ใช่เครื่องมือไฟฟ้าเป็นเวลานานให้ถอดเครื่องออกจากแหล่งจ่ายไฟฟ้า เครื่องมือไฟฟ้าไม่สามารถใช้งานได้ในระหว่างกระบวนการชาร์จ เครื่องมือไม่ได้เสียหายทำงานไม่ได้ในระหว่างกระบวนการชาร์จ

ปฏิบัติตามคำแนะนำสำหรับการกำจัดที่ถูกต้อง

การเปลี่ยนเครื่องมือ

- ▶ **อย่าใช้ใบไขควงชนิด 2 ด้านที่ยาวกว่า 25 มม.**

การใส่เครื่องมือ

เสียบเครื่องมือ เข้าในแท่งขับเคลื่อนที่เปลี่ยนด้านในของด้ามจับเครื่องมือ (2) จนขบเข้าที่อย่างรู้สึกได้

การถอดเครื่องมือ

ดึงเครื่องมือ ออกจากด้ามจับเครื่องมือ (2) โดยใช้คีมช่วย หากจำเป็น

การปฏิบัติงาน

การเริ่มต้นปฏิบัติงาน

การตั้งทิศทางการหมุน (ดูภาพประกอบ B)

- ▶ **เลื่อนสวิตช์เปลี่ยนทิศทางการหมุน (5) เมื่อเครื่องมือไฟฟ้าหยุดสนิทเท่านั้น มิฉะนั้นอาจเกิดความเสียหายได้**

การหมุนทางขวา: เมื่อต้องการขันสกรูเข้าให้เลื่อนสวิตช์เปลี่ยนทิศทางการหมุน (5) ไปด้านหน้า

การหมุนทางซ้าย: เมื่อต้องการคลายหรือขันสกรูออกให้เลื่อนสวิตช์เปลี่ยนทิศทางการหมุน (5) ไปด้านหลัง

การล็อคแกน (ดูภาพประกอบ C)

เมื่อต้องการล็อคแกนให้เลื่อนสวิตช์เปลี่ยนทิศทางการหมุน (5) ไปที่ตำแหน่งกลาง ในลักษณะนี้จะช่วยให้สามารถขันสกรูได้แม้เมื่อแบตเตอรี่หมดหรือใช้เครื่องมือไฟฟ้าเป็นไขควงได้

การตั้งแรงบิดล่วงหน้า

เมื่อใช้แหวนตั้งแรงบิดล่วงหน้า (3) ท่านสามารถเลือกแรงบิดที่ต้องการล่วงหน้าได้ 6 ชั้น เครื่องมือจะหยุดทำงานเมื่อถึงแรงบิดที่ตั้งไว้ล่วงหน้า

ขั้น 1:

แรงบิดน้อยลงสำหรับการขันสกรูที่มีเส้นผ่าศูนย์กลางขนาดเล็กหรือในวัสดุอ่อนนุ่ม

ขั้น 6:

แรงบิดมากขึ้นสำหรับการขันสกรูที่มีเส้นผ่าศูนย์กลางขนาดใหญ่หรือในวัสดุแข็ง

การเปิด-ปิดเครื่อง

มีวิธีเปิดสวิตช์เครื่องมือไฟฟ้าสองวิธี

- ให้ฝึกซ้อมการกดลงบนแกนและกดไว้ในสภาพตั้งตรง หากต้องการ **ปิดสวิตช์** ให้เลิกกดบนแกน
- กดสวิตช์เปิด-ปิด (4) หากต้องการ **ปิดสวิตช์** ให้ปล่อยนิ้วจากสวิตช์เปิด-ปิด (4)

การป้องกันการใช้งานเกินกำลังโดยอาศัยอุณหภูมิจาก

เมื่อใช้งานเครื่องมือไฟฟ้าตรงตามวัตถุประสงค์ เครื่องจะไม่ทำงานเกินกำลัง หากเครื่องมือไฟฟ้าทำงานเกินกำลังหรือแบตเตอรี่แพ็คมีอุณหภูมิสูงกว่าที่อนุญาต ระบบควบคุมอิเล็กทรอนิกส์จะปิดสวิตช์เครื่องจนกว่าอุณหภูมิจะอยู่ในช่วงอุณหภูมิที่เหมาะสมอีกครั้ง

การป้องกันการจ่ายกระแสไฟฟ้าออกอีก

"Electronic Cell Protection (ECP)" ช่วยป้องกันไม่ให้แบตเตอรี่ลิเธียม ไอออน จ่ายกระแสไฟฟ้าออกอีกเมื่อแบตเตอรี่แพ็คหมดไฟ วงจรป้องกันจะดับสวิตช์เครื่องมือไฟฟ้า เครื่องมือที่ใส่อยู่จะไม่หมุนต่อ

การบำรุงรักษาและการบริการ

การบำรุงรักษาและการทำความสะอาด

- ▶ ก่อนทำการปรับแต่งใดๆ ที่เครื่องมือไฟฟ้า (ต. ย. เช่น บำรุงรักษา เปลี่ยนเครื่องมือ ฯลฯ) ตลอดจนเมื่อขนย้ายและเก็บรักษา ให้ตั้งสวิตช์เปลี่ยนทิศทางการหมุนไว้ที่ตำแหน่งกลาง อันตรายจากการบาดเจ็บหากสวิตช์เปิด-ปิดติดขึ้นโดยไม่ตั้งใจ
- ▶ เพื่อให้ทำงานได้อย่างถูกต้องและปลอดภัย ต้องรักษาเครื่องและช่องระบายอากาศให้สะอาดอยู่เสมอ

หากแบตเตอรี่แพ็คไม่ทำงานอีกต่อไป กรุณาติดต่อศูนย์บริการลูกค้าสำหรับเครื่องมือไฟฟ้า **Bosch** ที่ได้รับมอบหมาย

หากจำเป็นต้องเปลี่ยนสายไฟฟ้า ต้องส่งเครื่องให้ **Bosch** หรือศูนย์บริการหลังการขายที่ได้รับมอบหมายสำหรับเครื่องมือไฟฟ้า **Bosch** เปลี่ยนให้ ทั้งนี้เพื่อหลีกเลี่ยงอันตราย

การบริการหลังการขายและการให้คำปรึกษาการใช้งาน

ศูนย์บริการหลังการขายของเรายินดีตอบคำถามของท่านที่เกี่ยวกับการบำรุงรักษาและการซ่อมแซมผลิตภัณฑ์รวมทั้งเรื่องอะไหล่ ภาพเขียนแบบการประกอบและข้อมูลเกี่ยวกับอะไหล่ กรุณาดูใน: www.bosch-pt.com

ทีมงานที่ปรึกษาของ บอช ยินดีให้ข้อมูลเกี่ยวกับผลิตภัณฑ์ของเราและอุปกรณ์ประกอบต่างๆ

เมื่อต้องการสอบถามและสั่งซื้ออะไหล่ กรุณาแจ้งหมายเลขสินค้า 10 หลักบนแผ่นป้ายรุ่นของผลิตภัณฑ์ทุกครั้ง

ไทย

ไทย บริษัท โรเบิร์ต บอช จำกัด

เอฟวายไอ เซ็นเตอร์ อาคาร 1 ชั้น 5

เลขที่ 2525 ถนนพระราม 4

แขวงคลองเตย เขตคลองเตย กรุงเทพฯ 10110

โทร: +66 2012 8888

แฟกซ์: +66 2064 5800

www.bosch.co.th

ศูนย์บริการซ่อมและฝึกอบรม บอช
อาคาร ลาซาลทาวเวอร์ ชั้น G ห้องเลขที่ 2
บ้านเลขที่ 10/11 หมู่ 16
ถนนศรีนครินทร์ ตำบลบางแก้ว อำเภอบางพลี
จังหวัดสมุทรปราการ 10540
ประเทศไทย
โทรศัพท์ 02 7587555
โทรสาร 02 7587525

สามารถดูที่อยู่ศูนย์บริการอื่นๆ ได้ที่:

www.bosch-pt.com/serviceaddresses

การขนส่ง

แบตเตอรี่ลิเธียม ไอออน ที่บรรจุอยู่ภายใต้ข้อกำหนดแห่งกฎหมายสินค้าอันตราย ผู้ใช้สามารถขนส่งแบตเตอรี่แพ็คโดยทางถนนโดยไม่มีข้อบังคับอื่นหากขนส่งโดยบุคคลที่สาม

(เช่น : การขนส่งทางอากาศ หรือตัวแทนขนส่งสินค้า) ต้องปฏิบัติตามข้อกำหนดพิเศษเกี่ยวกับการบรรจุภัณฑ์และการติดฉลาก สำหรับการจัดเตรียมสิ่งของที่จัดส่ง จำเป็นต้องปรึกษาผู้เชี่ยวชาญด้านวัตถุอันตราย

การกำจัดขยะ



เครื่องมือไฟฟ้า แบตเตอรี่แพ็ค อุปกรณ์ประกอบ และหีบห่อ ต้องนำไปแยกประเภทวัสดุเพื่อนำกลับมาใช้ใหม่โดยไม่ทำลายสภาพแวดล้อม



อย่าทิ้งเครื่องมือไฟฟ้าและแบตเตอรี่แพ็ค/แบตเตอรี่ที่นำกลับมาจำหน่ายใหม่ได้ ลงในขยะบ้าน!

แบตเตอรี่แพ็ค/แบตเตอรี่:

ลิเธียม ไอออน:

กรุณาปฏิบัติตามคำแนะนำในบทการขนส่ง (ดู "การขนส่ง", หน้า 68)

- ▶ แบตเตอรี่แพ็คที่ใส่รวมอยู่ในเครื่องจะต้องนำออกไปกำจัดโดยผู้เชี่ยวชาญเท่านั้น การเปิดเปลือกครอบเครื่องสามารถทำให้เครื่องมือไฟฟ้าเสียหายได้

เมื่อต้องการถอดแบตเตอรี่แพ็คออกจากเครื่องมือไฟฟ้า ให้ถอดเครื่องมือไฟฟ้าจนกระทั่งแบตเตอรี่แพ็คหมดประจุ ชันสกรูที่ยึดฝาครอบออกและถอดฝาครอบเพื่อนำแบตเตอรี่แพ็คออกมา เพื่อป้องกันการลัดวงจรให้ปลดขั้วที่แบตเตอรี่แพ็คออกทีละขั้ว แล้วแยกขั้ว ถึงแม้ได้ทำการปล่อยประจุออกหมดแล้ว แต่ยังคงมีประจุไฟฟ้าตกค้างในแบตเตอรี่แพ็คอยู่ ซึ่งอาจถูกปล่อยออกมาในกรณีที่มีไฟฟ้าลัดวงจร

Bahasa Indonesia

Petunjuk Keselamatan

Petunjuk keselamatan umum untuk perkakas listrik

⚠ PERINGATAN Baca semua peringatan, petunjuk, ilustrasi, dan spesifikasi keselamatan yang diberikan bersama perkakas listrik ini.

Kesalahan dalam menjalankan petunjuk di bawah ini dapat mengakibatkan sengatan listrik, kebakaran, dan/atau cedera serius.

Simpanlah semua peringatan dan petunjuk untuk penggunaan di masa mendatang.

Istilah "perkakas listrik" dalam peringatan mengacu pada perkakas listrik yang dioperasikan dengan listrik (menggunakan kabel) atau perkakas listrik yang dioperasikan dengan baterai (tanpa kabel).

Keamanan tempat kerja

- ▶ **Jaga kebersihan dan pencahayaan area kerja.** Area yang berantakan atau gelap dapat memicu kecelakaan.
- ▶ **Jangan mengoperasikan perkakas listrik di lingkungan yang dapat memicu ledakan, seperti adanya cairan, gas, atau debu yang mudah terbakar.** Perkakas listrik dapat memancarkan bunga api yang kemudian mengakibatkan debu atau uap terbakar.
- ▶ **Jauhkan dari jangkauan anak-anak dan pengamat saat mengoperasikan perkakas listrik.** Gangguan dapat menyebabkan hilangnya kendali.

Keamanan listrik

- ▶ **Steker perkakas listrik harus sesuai dengan stopkontak. Jangan pernah memodifikasi steker. Jangan menggunakan steker adaptor bersama dengan**

perkakas listrik yang terhubung dengan sistem grounding. Steker yang tidak dimodifikasi dan stopkontak yang cocok akan mengurangi risiko sengatan listrik.

- ▶ **Hindari kontak badan dengan permukaan yang terhubung dengan sistem grounding, seperti pipa, radiator, kompor, dan lemari es.** Terdapat peningkatan risiko terjadinya sengatan listrik jika badan Anda terhubung dengan sistem grounding.
- ▶ **Perkakas listrik tidak boleh terpapar hujan atau basah.** Air yang masuk ke dalam perkakas listrik menambah risiko terjadinya sengatan listrik.
- ▶ **Jangan menyalahgunakan kabel. Jangan gunakan kabel untuk membawa, menarik, atau melepas steker perkakas listrik. Jauhkan kabel dari panas, minyak, tepi yang tajam, atau komponen yang bergerak.** Kabel listrik yang rusak atau tersangkut menambah risiko terjadinya sengatan listrik.
- ▶ **Saat mengoperasikan perkakas listrik di luar ruangan, gunakan kabel ekstensi yang sesuai untuk penggunaan di luar ruangan.** Penggunaan kabel yang cocok untuk pemakaian di luar ruangan mengurangi risiko terjadinya sengatan listrik.
- ▶ **Jika perkakas listrik memang harus dioperasikan di tempat yang lembap, gunakan pemutus arus listrik residu (RCD).** Penggunaan RCD akan mengurangi risiko terjadinya sengatan listrik.

Keselamatan personel

- ▶ **Tetap waspada, perhatikan aktivitas yang sedang dikerjakan dan gunakan akal sehat saat mengoperasikan perkakas listrik. Jangan gunakan perkakas listrik saat mengalami kelelahan atau di bawah pengaruh narkoba, alkohol, atau obat-obatan.** Jika perkakas listrik dioperasikan dengan daya konsentrasi yang rendah, hal tersebut dapat menyebabkan cedera serius.
- ▶ **Gunakan peralatan pelindung diri. Selalu kenakan pelindung mata.** Penggunaan perlengkapan pelindung seperti penutup telinga, helm, sepatu anti licin, dan masker debu akan mengurangi cedera.
- ▶ **Hindari start yang tidak disengaja. Pastikan switch berada di posisi off sebelum perkakas listrik dihubungkan ke sumber daya listrik dan/atau baterai, diangkat, atau dibawa.** Membawa perkakas listrik dengan jari menempel pada tombol atau perkakas listrik dalam keadaan hidup dapat memicu kecelakaan.
- ▶ **Singkirkan kunci penyetel atau kunci pas sebelum menghidupkan perkakas listrik.** Perkakas atau kunci pas yang masih menempel pada komponen perkakas listrik yang berputar dapat menyebabkan cedera.
- ▶ **Jangan melampaui batas. Berdirilah secara mantap dan selalu jaga keseimbangan.** Hal ini akan memberikan kontrol yang lebih baik terhadap perkakas listrik pada situasi yang tak terduga.

- ▶ **Kenakan pakaian dengan wajar. Jangan mengenakan perhiasan atau pakaian yang longgar. Jauhkan rambut dan pakaian dari komponen yang bergerak.** Pakaian yang longgar, rambut panjang, atau perhiasan dapat tersangkut dalam komponen yang bergerak.
- ▶ **Jika disediakan perangkat untuk sambungan pengisapan debu dan alat pengumpulan, pastikan perangkat tersebut terhubung dan digunakan dengan benar.** Penggunaan alat pengumpulan dapat mengurangi bahaya yang disebabkan oleh debu.
- ▶ **Jangan berpuas diri dan mengabaikan prinsip keselamatan karena terbiasa mengoperasikan perkakas.** Tindakan yang kurang hati-hati dapat mengakibatkan cedera serius dalam waktu sepersekian detik.

Penggunaan dan pemeliharaan perkakas listrik

- ▶ **Jangan memaksakan perkakas listrik. Gunakan perkakas listrik yang sesuai untuk pekerjaan yang dilakukan.** Perkakas listrik yang sesuai akan bekerja dengan lebih baik dan aman sesuai tujuan penggunaan.
- ▶ **Jangan gunakan perkakas listrik dengan switch yang tidak dapat dioperasikan.** Perkakas listrik yang switchnya yang tidak berfungsi dapat menimbulkan bahaya dan harus diperbaiki.
- ▶ **Lepaskan steker dari sumber listrik dan/atau lepas baterai, jika dapat dilepaskan dari perkakas listrik sebelum menyatel, mengganti aksesoris, atau menyimpan perkakas listrik.** Tindakan preventif akan mengurangi risiko menghidupkan perkakas listrik secara tidak disengaja.
- ▶ **Jauhkan dan simpan perkakas listrik dari jangkauan anak-anak dan jangan biarkan orang-orang yang tidak mengetahui cara menggunakan perkakas listrik, mengoperasikan perkakas listrik.** Perkakas listrik dapat membahayakan jika digunakan oleh orang-orang yang tidak terlatih.
- ▶ **Lakukan pemeliharaan perkakas listrik dan aksesoris. Periksa komponen yang bergerak apabila tidak lurus atau terikat, kerusakan komponen, dan kondisi lain yang dapat mengganggu pengoperasian perkakas listrik. Apabila rusak, perbaiki perkakas listrik sebelum digunakan.** Kecelakaan sering terjadi karena perkakas listrik tidak dirawat dengan baik.
- ▶ **Jaga ketajaman dan kebersihan alat.** Alat pemotong dengan pisau pemotong yang tajam dan dirawat dengan baik tidak akan mudah tersangkut dan lebih mudah dikendalikan.
- ▶ **Gunakan perkakas listrik, aksesoris, dan komponen perkakas dll sesuai dengan petunjuk ini, dengan mempertimbangkan kondisi kerja dan pekerjaan yang akan**

dilakukan. Penggunaan perkakas listrik untuk tujuan berbeda dari fungsinya dapat menyebabkan situasi yang berbahaya.

- ▶ **Jaga gagang dan permukaan genggam agar tetap kering, bersih, dan bebas dari minyak dan lemak.** Gagang dan permukaan genggam yang licin tidak menjamin keamanan kerja dan kontrol alat yang baik pada situasi yang tidak terduga.

Penggunaan dan pemeliharaan perkakas baterai

- ▶ **Isi ulang daya hanya dengan pengisi daya yang ditentukan oleh produsen.** Pengisi daya yang sesuai untuk satu jenis set baterai dapat menyebabkan risiko kebakaran apabila digunakan dengan set baterai lain.
- ▶ **Hanya gunakan perkakas listrik dengan set baterai yang dirancang khusus.** Penggunaan set baterai lain dapat menyebabkan risiko cedera dan kebakaran.
- ▶ **Apabila set baterai tidak digunakan, jauhkan dari benda logam lainnya, seperti klip kertas, koin, kunci, paku, sekrup, atau benda logam kecil lainnya yang dapat membuat sambungan dari satu terminal ke terminal lainnya.** Memendekkan terminal baterai dapat menyebabkan kebakaran atau api.
- ▶ **Cairan dapat keluar dari baterai jika baterai tidak digunakan dengan benar; hindari kontak. Jika terjadi kontak secara tidak disengaja, bilas dengan air. Jika cairan mengenai mata, segera hubungi bantuan medis.** Cairan yang keluar dari baterai dapat menyebabkan iritasi atau luka bakar.
- ▶ **Jangan gunakan set baterai atau perkakas yang rusak atau telah dimodifikasi.** Baterai yang rusak atau telah dimodifikasi dapat menimbulkan kejadian yang tak terduga seperti kebakaran, ledakan, atau risiko cedera.
- ▶ **Jangan meletakkan set baterai atau perkakas di dekat api atau suhu tinggi.** Paparan terhadap api atau suhu di atas 130 °C dapat memicu ledakan.
- ▶ **Ikuti semua petunjuk pengisian daya dan jangan mengisi daya set baterai atau perkakas di luar rentang suhu yang ditentukan dalam petunjuk.** Pengisian daya yang tidak tepat atau di luar rentang suhu yang ditentukan dapat merusak baterai dan meningkatkan risiko kebakaran.

Servis

- ▶ **Minta teknisi berkualifikasi untuk menyervis perkakas listrik dengan hanya menggunakan suku cadang yang identik.** Dengan demikian, hal ini akan memastikan keamanan perkakas listrik.
- ▶ **Jangan pernah melakukan servis pada baterai yang telah rusak.** Servis baterai hanya boleh dilakukan oleh produsen atau penyedia servis resmi.

Petunjuk Keselamatan untuk Obeng

- ▶ **Pegang perkakas listrik pada permukaan gagang isolator saat pengoperasian yang memungkinkan alat pengencang bersentuhan dengan kabel yang tidak terlihat.** Menyentuh alat pengencang yang dialiri listrik dapat menyebabkan bagian logam perkakas listrik dialiri listrik, sehingga berisiko mengakibatkan sengatan listrik pada operator.
- ▶ **Gunakanlah alat detektor logam yang cocok untuk mencari kabel dan pipa yang tidak terlihat atau hubungi perusahaan pengadaan setempat.** Sentuhan dengan kabel-kabel listrik dapat mengakibatkan api dan kontak listrik. Pipa gas yang dirusak dapat mengakibatkan ledakan. Pipa air yang dirusak mengakibatkan barang-barang menjadi rusak.
- ▶ **Pegang perkakas listrik dengan kencang.** Saat mengencangkan dan mengendurkan obeng dapat terjadi reaksi torsi yang tinggi sesaat.
- ▶ **Geser switch arah putaran ke posisi tengah sebelum memulai segala pengerjaan pada perkakas listrik (misalnya perawatan, penggantian alat, dll.) serta saat mengangkut dan menyimpan perkakas.** Terdapat risiko cedera apabila switch on/off dioperasikan tanpa sengaja.
- ▶ **Gunakan alat kerja dengan aman.** Benda yang ditahan dalam alat pemegang atau baus lebih aman daripada benda yang dipegang dengan tangan.
- ▶ **Sebelum meletakkan perkakas listrik, tunggulah hingga perkakas berhenti berputar.** Alat kerja dapat tersangkut dan menyebabkan perkakas listrik tidak dapat dikendalikan.



Lindungi perkakas listrik dari panas, misalnya terpapar sinar matahari dalam waktu yang lama, api, air dan kelembapan.
Terdapat bahaya ledakan.

Petunjuk keselamatan untuk adaptor daya

- ▶ **Adaptor daya ini tidak dirancang untuk digunakan oleh anak-anak dan orang dengan keterbatasan fisik, sensorik atau mental atau yang kurang pengalaman dan pengetahuan.** Adaptor daya ini dapat digunakan oleh anak-anak dengan usia di atas 8 tahun dan juga orang dengan keterbatasan fisik, sensorik atau mental, atau kurang berpengalaman dan pengetahuan selama di bawah pengawasan orang yang bertanggung jawab atau diberi pengarahan mengenai cara penggunaan adaptor yang aman dan mereka dapat mengerti tentang bahaya yang mungkin terjadi. Jika tidak, hal tersebut dapat menimbulkan risiko kesalahan pengoperasian dan menyebabkan cedera.



Jauhkan adaptor daya dari hujan atau basah. Air yang masuk ke dalam adaptor daya akan meningkatkan risiko terjadinya sengatan listrik.

- ▶ **Jaga kebersihan adaptor daya.** Kondisi adaptor daya yang kotor dapat menimbulkan bahaya sengatan listrik.
- ▶ **Periksa adaptor daya sebelum setiap penggunaan. Jangan gunakan adaptor daya jika terlihat adanya kerusakan. Jangan membuka sendiri adaptor daya dan biarkan adaptor daya hanya direparasi oleh teknisi ahli dan hanya dengan menggunakan suku cadang yang asli.** Adaptor daya yang rusak meningkatkan risiko terjadinya sengatan listrik.

Spesifikasi produk dan performa



Bacalah semua petunjuk keselamatan dan petunjuk penggunaan. Kesalahan dalam menjalankan petunjuk keselamatan dan petunjuk penggunaan dapat mengakibatkan kontak listrik, kebakaran,

dan/atau luka-luka yang berat.

Perhatikan ilustrasi yang terdapat pada bagian depan panduan pengoperasian.

Tujuan penggunaan

Perkakas listrik ini cocok untuk memasang dan melepas sekrup dan baut.

Ilustrasi komponen

Nomor-nomor dari bagian-bagian perkakas pada gambar sesuai dengan gambar perkakas listrik pada halaman bergambar.

- (1) Mata obeng
- (2) Dudukan alat kerja
- (3) Ring untuk penyetelan awal torsi
- (4) Tombol on/off
- (5) Switch arah putaran
- (6) Indikator level pengisian daya baterai
- (7) Soket mikro USB
- (8) Gagang (permukaan genggam berisolator)
- (9) Kabel USB

(10) Adaptor daya^{a)}

- a) **Aksesori yang ada pada gambar atau yang dijelaskan tidak termasuk dalam lingkup pengiriman standar. Semua aksesori yang ada dapat Anda lihat dalam program aksesori kami.**

Data teknis

| Obeng listrik berdaya baterai | | GO |
|--|-------------------|----------------------|
| Nomor seri | | 3 601 JH2 1.. |
| Tegangan nominal | V= | 3,6 |
| Kecepatan idle ^{A)} | min ⁻¹ | 360 |
| Torsi maks. penyekrupan ketat/lunak menurut ISO 5393 ^{A)} | Nm | 5/2,5 |
| Ø (diameter) sekrup maks. | mm | 5 |
| Berat sesuai dengan EPTA-Procedure 01:2014 | kg | 0,31 |
| Suhu sekitar yang direkomendasikan saat pengisian daya | °C | +5 ... +45 |
| Suhu sekitar yang diizinkan saat pengoperasian ^{B)} dan saat disimpan | °C | -20 ... +50 |
| Baterai | | Li-ion |
| Kapasitas | Ah | 1,5 |
| Energi | Wh | 6 |
| Jumlah sel baterai | | 1 |
| Durasi pengisian daya ^{A)} | h | 1,5 |
| Konektor kabel pengisi daya | | Micro USB |
| Perangkat pengisian daya yang direkomendasikan | V/mA | 5/1000 |

A) dihitung pada suhu 20–25 °C

B) daya terbatas pada suhu <0 °C

Perangkat pengisi daya

| | | |
|------------|--|---------------|
| Nomor seri | | |
| - CN | | 1 607 000 CH1 |
| - TW | | 1 600 A01 3A3 |
| - UK | | 2 609 120 718 |

Perangkat pengisi daya

| | | |
|---------------------------------|----|---------------|
| - EU | | 2 609 120 713 |
| - AU | | 2 609 120 717 |
| Tegangan pengisian daya baterai | V | 5 |
| Arus pengisian daya baterai | mA | 1000 |
| Klasifikasi keamanan | | □ / II |

Cara memasang

- ▶ **Geser switch arah putaran ke posisi tengah sebelum memulai pengerjaan dengan perkakas listrik (misalnya perawat, penggantian alat, dll) serta saat mengangkat dan menyimpan.** Pengoperasian pertama perkakas listrik yang tidak disengaja dapat menyebabkan cedera.

Mengisi daya baterai (lihat gambar A)

Catatan: Baterai dikirim dalam keadaan terisi sebagian. Untuk menjamin performa penuh baterai, lakukan pengisian daya pada baterai hingga penuh dengan adaptor daya sebelum menggunakannya untuk pertama kali.

Daya baterai Li-ion dapat diisi setiap saat tanpa mengurangi masa pakainya. Penghentian proses pengisian daya tidak merusak baterai.

Baterai Li-ion terlindung dari pengosongan daya total dengan "Electronic Cell Protection (ECP)". Jika daya baterai habis, perkakas listrik akan dimatikan oleh sirkuit pelindung: Alat sisipan berhenti beroperasi.

- ▶ **Jangan menekan kembali spindle setelah perkakas listrik mati secara otomatis.** Baterai dapat rusak.
- ▶ **Jangan menekan kembali tombol on/off jika perkakas listrik mati secara otomatis.** Baterai dapat rusak.

Dengan menggunakan kabel USB (9), hubungkan perkakas listrik ke adaptor daya (10). Indikator level pengisian daya baterai (6) menampilkan proses pengisian daya. Saat proses pengisian daya, indikator akan berkedip hijau. Baterai telah terisi penuh apabila indikator menyala hijau secara terus-menerus.

Selama pengisian daya, gagang perkakas listrik akan memanas. Hal tersebut merupakan hal yang lazim.

Apabila tidak digunakan dalam waktu yang lama, putuskan sambungan perkakas listrik dari suplai daya.

Perkakas listrik tidak dapat digunakan selama proses pengisian daya; perkakas listrik tidak rusak jika perkakas listrik tidak beroperasi selama proses pengisian daya. Perhatikan petunjuk mengenai pembuangan baterai.

Mengganti perkakas

► **Jangan menggunakan mata obeng dua sisi yang lebih panjang dari 25 mm.**

Memasang alat sisipan

Masukkan alat sisipan ke heksagon internal dudukan alat **(2)** hingga terkunci.

Melepaskan alat sisipan

Tarik alat sisipan dari dudukan alat **(2)** jika perlu dengan bantuan tang.

Penggunaan

Cara penggunaan

Mengatur arah putaran (lihat gambar B)

► **Hanya tekan switch arah putaran (5) saat perkakas listrik tidak beroperasi. Jika tidak, perkakas listrik dapat menjadi rusak.**

Arah putaran ke kanan: Untuk memasang sekrup, geser switch arah putaran **(5)** ke depan.

Arah putaran ke kiri: Untuk mengendurkan atau melepas sekrup, geser switch arah putaran **(5)** ke belakang.

Mengunci spindel (lihat gambar C)

Untuk mengunci spindel, geser switch arah putaran **(5)** ke posisi tengah.

Hal ini memungkinkan perkakas dapat digunakan untuk menyekrup bahkan saat baterai kosong atau penggunaan perkakas listrik sebagai obeng.

Penyetelan awal torsi

Dengan menggunakan ring untuk penyetelan awal torsi **(3)**, torsi yang diperlukan dapat dipilih terlebih dulu dalam 6 tahap. Alat sisipan segera berhenti begitu torsi yang telah diatur tercapai.

Tahap 1:

Torsi paling kecil untuk memasang sekrup dengan diameter yang kecil atau memasang sekrup ke material yang lunak.

Tahap 6:

Torsi paling besar untuk memasang sekrup dengan diameter yang besar atau memasang sekrup ke material yang keras.

Menyalakan/mematikan

Terdapat dua cara untuk mengoperasikan perkakas listrik.

- Beri tekanan pada spindel dan pertahankan tekanan. **Untuk mematikan** perkakas, lepaskan tekanan pada spindel.
- Tekan tombol on/off **(4)**. **Untuk mematikan** perkakas, lepaskan tombol on/off **(4)**.

Perlindungan kelebihan beban yang tergantung suhu

Pada penggunaan yang normal perkakas listrik tidak akan kelebihan beban. Alat elektronik akan mematikan perkakas listrik apabila mendapatkan beban berlebih atau suhu baterai yang terlalu tinggi dari biasanya hingga alat kembali dalam rentang suhu pengoperasian yang optimal.

Perlindungan terhadap pengosongan daya total

Baterai li-ion terlindung dari pengosongan daya total dengan "Electronic Cell Protection (ECP)". Jika baterai habis, perkakas listrik dimatikan oleh pengaman: Alat sisipan berhenti beroperasi.

Perawatan dan servis

Perawatan dan pembersihan

- ▶ **Geser switch arah putaran ke posisi tengah sebelum memulai segala pengerjaan pada perkakas listrik (misalnya perawatan, penggantian alat, dll.) serta saat mengangkat dan menyimpan perkakas.** Terdapat risiko cedera apabila switch on/off dioperasikan tanpa sengaja.
- ▶ **Perkakas listrik dan lubang ventilasi harus selalu dibersihkan agar perkakas dapat digunakan dengan baik dan aman.**

Jika baterai tidak lagi berfungsi, hubungi Service Center untuk perkakas listrik **Bosch** yang resmi.

Jika kabel listrik harus diganti, pekerjaan ini harus dilakukan oleh **Bosch** atau Service Center untuk perkakas listrik **Bosch** resmi agar keselamatan kerja selalu terjamin.

Layanan pelanggan dan konsultasi penggunaan

Layanan pelanggan Bosch menjawab semua pertanyaan Anda tentang reparasi dan perawatan serta tentang suku cadang produk ini. Gambaran teknis (exploded view) dan informasi mengenai suku cadang dapat ditemukan di: www.bosch-pt.com

Tim konsultasi penggunaan Bosch akan membantu Anda menjawab pertanyaan seputar produk kami beserta aksesorinya.

Jika Anda hendak menanyakan sesuatu atau memesan suku cadang, selalu sebutkan nomor model yang terdiri dari 10 angka dan tercantum pada label tipe produk.

Indonesia

PT Robert Bosch
Palma Tower 10th Floor
Jalan RA Kartini II-S Kaveling 6
Pondok Pinang, Kebayoran Lama
Jakarta Selatan 12310
Tel.: (021) 3005 5800
Fax: (021) 3005 5801
E-Mail: boschpowertools@id.bosch.com
www.bosch-pt.co.id

Alamat layanan lainnya dapat ditemukan di:

www.bosch-pt.com/serviceaddresses

Transpor

Pada baterai-baterai li-ion yang digunakan diterapkan persyaratan terkait peraturan-peraturan tentang bahan-bahan yang berbahaya. Baterai-baterai dapat diangkat oleh penggunaannya tanpa pembatasan lebih lanjut di jalan.

Pada pengiriman oleh pihak ketiga (misalnya transportasi udara atau perusahaan ekspedisi) harus ditaati syarat-syarat terkait kemasan dan pemberian tanda. Dalam hal ini, diperlukan konsultasi dengan ahli bahan-bahan berbahaya saat mengatur barang pengiriman.

Cara membuang



Perkakas listrik, baterai, aksesoris dan kemasan harus didaur ulang dengan cara yang ramah lingkungan.



Jangan membuang perkakas listrik, aki/baterai ke dalam sampah rumah tangga!

Baterai:

Li-ion:

Perhatikanlah petunjuk-petunjuk dalam bab Transpor (lihat „Transpor“, Halaman 79).

► Baterai yang terintegrasi hanya boleh dilepas untuk dibuang oleh teknisi ahli.

Perkakas listrik dapat rusak apabila housing dibuka.

Untuk melepas baterai dari perkakas listrik, operasikan perkakas listrik hingga baterai habis. Buka sekrup pada housing dengan cara diputar dan lepaskan housing untuk mengeluarkan baterai. Untuk mencegah korsleting, putuskan sambungan baterai satu per satu, kemudian isolasi kutub-kutubnya. Pada saat mengosongkan daya baterai, akan masih terdapat sisa daya yang dapat menyebabkan korsleting.

Tiếng Việt

Hướng dẫn an toàn

Hướng dẫn an toàn chung cho dụng cụ điện

⚠ CẢNH BÁO Hãy đọc toàn bộ các cảnh báo an toàn, hướng dẫn, hình ảnh và thông số kỹ thuật được cung cấp cho dụng cụ điện cầm tay này. Không tuân thủ mọi hướng dẫn được liệt kê dưới đây có thể bị điện giật, gây cháy và /hay bị thương tật nghiêm trọng.

Hãy giữ tất cả tài liệu về cảnh báo và hướng dẫn để tham khảo về sau.

Thuật ngữ "dụng cụ điện cầm tay" trong phần cảnh báo là để cập đến sự sử dụng dụng cụ điện cầm tay của bạn, loại sử dụng điện nguồn (có dây cắm điện) hay vận hành bằng pin (không dây cắm điện).

Khu vực làm việc an toàn

- **Giữ nơi làm việc sạch và đủ ánh sáng.** Nơi làm việc bừa bộn và tối tăm dễ gây ra tai nạn.
- **Không vận hành dụng cụ điện cầm tay trong môi trường dễ gây nổ, chẳng hạn như nơi có chất lỏng dễ cháy, khí đốt hay rác.** Dụng cụ điện cầm tay tạo ra các tia lửa nên có thể làm rác bén cháy hay bốc khói.
- **Không để trẻ em hay người đến xem đứng gần khi vận hành dụng cụ điện cầm tay.** Sự phân tâm có thể gây ra sự mất điều khiển.

An toàn về điện

- **Phích cắm của dụng cụ điện cầm tay phải thích hợp với ổ cắm.** Không bao giờ được cải biến lại phích cắm dưới mọi hình thức.

Không được sử dụng phích tiếp hợp nối tiếp đất (dây mát). Phích cắm nguyên bản và ổ cắm đúng loại sẽ làm giảm nguy cơ bị điện giật.

- ▶ **Tránh không để thân thể tiếp xúc với đất hay các vật có bề mặt tiếp đất như đường ống, lò sưởi, hàng rào và tủ lạnh.** Có nhiều nguy cơ bị điện giật hơn nếu cơ thể bạn bị tiếp hay nối đất.
- ▶ **Không được để dụng cụ điện cầm tay ngoài mưa hay ở tình trạng ẩm ướt.** Nước vào máy sẽ làm tăng nguy cơ bị điện giật.
- ▶ **Không được lạm dụng dây dẫn điện.** Không bao giờ được nắm dây dẫn để xách, kéo hay rút phích cắm dụng cụ điện cầm tay. Không để dây gần nơi có nhiệt độ cao, dầu nhớt, vật nhọn bén và bộ phận chuyển động. Làm hỏng hay cuộn rối dây dẫn làm tăng nguy cơ bị điện giật.
- ▶ **Khi sử dụng dụng cụ điện cầm tay ngoài trời, dùng dây nối thích hợp cho việc sử dụng ngoài trời.** Sử dụng dây nối thích hợp cho việc sử dụng ngoài trời làm giảm nguy cơ bị điện giật.
- ▶ **Nếu việc sử dụng dụng cụ điện cầm tay ở nơi ẩm ướt là không thể tránh được, dùng thiết bị ngắt mạch tự động (RCD) bảo vệ nguồn.** Sử dụng thiết bị ngắt mạch tự động RCD làm giảm nguy cơ bị điện giật.

An toàn cá nhân

- ▶ **Hãy tỉnh táo, biết rõ mình đang làm gì và hãy sử dụng ý thức khi vận hành dụng cụ điện cầm tay.** Không sử dụng dụng cụ điện cầm tay khi đang mệt mỏi hay đang bị tác động do chất gây nghiện, rượu hay dược phẩm gây ra. Một thoáng mất tập trung khi đang vận hành dụng cụ điện cầm tay có thể gây thương tích nghiêm trọng cho bản thân.
- ▶ **Sử dụng trang bị bảo hộ cá nhân.** Luôn luôn đeo kính bảo vệ mắt. Trang bị bảo hộ như khẩu trang, giày chống trượt, nón bảo hộ, hay dụng cụ bảo vệ tai khi được sử dụng đúng nơi đúng chỗ sẽ làm giảm nguy cơ thương tật cho bản thân.
- ▶ **Phòng tránh máy khởi động bất ngờ.** Bảo đảm công tắc máy ở vị trí tắt trước khi cắm vào nguồn điện và/hay lắp pin vào, khi nhắc máy lên hay khi mang xách máy. Ngáng ngón tay vào công tắc máy để xách hay kích hoạt dụng cụ điện cầm tay khi công tắc ở vị trí mở dễ dẫn đến tai nạn.
- ▶ **Lấy mọi chìa hay khóa điều chỉnh ra trước khi mở điện dụng cụ điện cầm tay.** Khóa hay chìa còn gắn dính vào bộ phận quay của dụng cụ điện cầm tay có thể gây thương tích cho bản thân.

- ▶ **Không rướn người.** Luôn luôn giữ tư thế đứng thích hợp và thẳng bằng. Điều này tạo cho việc điều khiển dụng cụ điện cầm tay tốt hơn trong mọi tình huống bất ngờ.
- ▶ **Trang phục thích hợp.** Không mặc quần áo rộng lùnh thùng hay mang trang sức. Giữ tóc và quần áo xa khỏi các bộ phận chuyển động. Quần áo rộng lùnh thùng, đồ trang sức hay tóc dài có thể bị cuốn vào các bộ phận chuyển động.
- ▶ **Nếu có các thiết bị đi kèm để nối máy hút bụi và các phụ kiện khác, bảo đảm các thiết bị này được nối và sử dụng tốt.** Việc sử dụng các thiết bị gom hút bụi có thể làm giảm các độc hại liên quan đến bụi gây ra.
- ▶ **Không để thói quen do sử dụng thường xuyên dụng cụ khiến bạn trở nên chủ quan và bỏ qua các quy định an toàn dụng cụ.** Một hành vi bất cẩn có thể gây ra thương tích nghiêm trọng chỉ trong tích tắc.

Sử dụng và bảo dưỡng dụng cụ điện cầm tay

- ▶ **Không được ép máy.** Sử dụng dụng cụ điện cầm tay đúng loại theo đúng ứng dụng của bạn. Dụng cụ điện cầm tay đúng chức năng sẽ làm việc tốt và an toàn hơn theo đúng tiến độ mà máy được thiết kế.
- ▶ **Không sử dụng dụng cụ điện cầm tay nếu như công tắc không tắt và mở được.** Bất kỳ dụng cụ điện cầm tay nào mà không thể điều khiển được bằng công tắc là nguy hiểm và phải được sửa chữa.
- ▶ **Rút phích cắm ra khỏi nguồn điện và/hay pin ra khỏi dụng cụ điện cầm tay nếu có thể tháo được, trước khi tiến hành bất kỳ điều chỉnh nào, thay phụ kiện, hay cất dụng cụ điện cầm tay.** Các biện pháp ngăn ngừa như vậy làm giảm nguy cơ dụng cụ điện cầm tay khởi động bất ngờ.
- ▶ **Cất giữ dụng cụ điện cầm tay không dùng tới nơi trẻ em không lấy được và không cho người chưa từng biết dụng cụ điện cầm tay hay các hướng dẫn này sử dụng dụng cụ điện cầm tay.** Dụng cụ điện cầm tay nguy hiểm khi ở trong tay người chưa được chỉ cách sử dụng.
- ▶ **Bảo quản dụng cụ điện cầm tay và các phụ kiện.** Kiểm tra xem các bộ phận chuyển động có bị sai lệch hay kẹt, các bộ phận bị rạn nứt và các tình trạng khác có thể ảnh hưởng đến sự vận hành của máy. Nếu bị hư hỏng, phải sửa chữa chữa máy trước khi sử dụng. Nhiều tai nạn xảy ra do bảo quản dụng cụ điện cầm tay tồi.
- ▶ **Giữ các dụng cụ cất bên và sạch.** Bảo quản đúng cách các dụng cụ cất có cạnh cất bên làm giảm khả năng bị kẹt và dễ điều khiển hơn.

- ▶ **Sử dụng dụng cụ điện cầm tay, phụ kiện, đầu cài v. v., đúng theo các chỉ dẫn này, hãy lưu ý đến điều kiện làm việc và công việc phải thực hiện.** Sự sử dụng dụng cụ điện cầm tay khác với mục đích thiết kế có thể tạo nên tình huống nguy hiểm.
- ▶ **Giữ tay cầm và bề mặt nắm luôn khô ráo, sạch sẽ và không dính dầu mỡ.** Tay cầm và bề mặt nắm trơn trượt không đem lại thao tác an toàn và kiểm soát dụng cụ trong các tình huống bất ngờ.

Sử dụng và bảo quản dụng cụ dùng pin

- ▶ **Chỉ được sạc pin lại với bộ nạp điện do nhà sản xuất chỉ định.** Bộ nạp điện thích hợp cho một loại pin có thể gây nguy cơ cháy khi sử dụng cho một loại pin khác.
- ▶ **Chỉ sử dụng dụng cụ điện cầm tay với loại pin được thiết kế đặt biệt dành riêng cho máy.** Sử dụng bất cứ loại pin khác có thể dẫn đến thương tật hay cháy.
- ▶ **Không sử dụng pin, để cách xa các vật bằng kim loại như kẹp giấy, tiền xu, chìa khoá, đinh, ốc vít hay các đồ vật kim loại nhỏ khác, thứ có thể tạo sự nối tiếp từ một đầu cực với một đầu cực khác.** Sự chập mạch của các đầu cực với nhau có thể gây bóng hay cháy.
- ▶ **Bảo quản ở tình trạng tối, dung dịch từ pin có thể tứa ra; tránh tiếp xúc. Nếu vô tình chạm phải, hãy xối nước để rửa. Nếu dung dịch vào mắt, cần thêm sự hỗ trợ của y tế.** Dung dịch tiết ra từ pin có thể gây ngứa hay bóng.
- ▶ **Không được sử dụng bộ pin hoặc dụng cụ đã bị hư hại hoặc bị thay đổi.** Pin hỏng hoặc bị thay đổi có thể gây ra những tác động không lường trước được như cháy nổ hoặc nguy cơ thương tích.
- ▶ **Không đặt bộ pin hoặc dụng cụ ở gần lửa hoặc nơi quá nhiệt.** Tiếp xúc với lửa hoặc nhiệt độ cao trên 130°C có thể gây nổ.
- ▶ **Tuân thủ tất cả các hướng dẫn nạp và không nạp bộ pin hay dụng cụ ở bên ngoài phạm vi nhiệt độ đã được quy định trong các hướng dẫn.** Nạp không đúng cách hoặc ở nhiệt độ ngoài phạm vi nạp đã quy định có thể làm hư hại pin và gia tăng nguy cơ cháy.

Bảo dưỡng

- ▶ **Đưa dụng cụ điện cầm tay của bạn đến thợ chuyên môn để bảo dưỡng, chỉ sử dụng phụ tùng đúng chủng loại để thay.** Điều này sẽ đảm bảo sự an toàn của máy được giữ nguyên.

- ▶ **Không bao giờ sửa chữa các bộ pin đã hư hại.** Chỉ cho phép nhà sản xuất hoặc các nhà cung cấp dịch vụ có ủy quyền thực hiện dịch vụ sửa chữa cho các bộ pin.

Các hướng dẫn an toàn cho tua-vít

- ▶ **Chỉ cầm dụng cụ điện tại các bề mặt cầm nắm có cách điện, khi thực hiện một thao tác tại vị trí mà dụng cụ kẹp có thể tiếp xúc với dây điện ngầm.** Dụng cụ kẹp tiếp xúc với dây có điện có thể làm cho các phần kim loại hở của dụng cụ điện cầm tay có điện và có thể gây ra điện giật cho người vận hành.
- ▶ **Dùng thiết bị dò tìm thích hợp để xác định nếu có các công trình công cộng lắp đặt ngầm trong khu vực làm việc hay liên hệ với Cty công trình công cộng địa phương để nhờ hỗ trợ.** Đụng chạm đường dẫn điện có thể gây ra hỏa hoạn và điện giật. Làm hư hại đường dẫn khí ga có thể gây nổ. Làm thủng ống dẫn nước có thể làm hư hại tài sản hay có thể gây ra điện giật.
- ▶ **Giữ chặt dụng cụ điện.** Khi siết chặt và nới lỏng các vít, những mô-men phản ứng cao có thể xuất hiện trong thời gian ngắn.
- ▶ **Bạn hãy đưa công tắc hướng xoay vào vị trí giữa trước khi thực hiện tất cả các công việc ở dụng cụ điện (ví dụ bảo dưỡng, thay đổi dụng cụ, vv) cũng như khi vận chuyển và bảo quản.** Có nguy cơ gây thương tích khi vô tình làm kích hoạt công tắc Tắt/Mở.
- ▶ **Kẹp chặt vật gia công.** Vật gia công được kẹp bằng một thiết bị kẹp hay bằng ê-tô thì vững chắc hơn giữ bằng tay.
- ▶ **Luôn luôn đợi cho máy hoàn toàn ngừng hẳn trước khi đặt xuống.** Dụng cụ lắp vào máy có thể bị kẹp chặt dẫn đến việc dụng cụ điện cầm tay bị mất điều khiển.



Bảo vệ dụng cụ điện cầm tay không để bị làm nóng, bị dẹt, chống để lâu dài dưới ánh nắng gay gắt, lửa, nước, và sự ẩm ướt. Sự nguy hiểm của nổ.

Hướng dẫn an toàn cho phích cắm điện tiếp hợp

- ▶ **Phích cắm điện tiếp hợp này không thiết kế dành cho đối tượng sử dụng là trẻ em và người bị hạn chế về thể chất, khả năng giác quan kém hoặc tâm thần hoặc thiếu kinh nghiệm và thiếu hiểu biết.** Phích cắm điện tiếp hợp này có thể dành cho trẻ em từ 8 tuổi trở lên và người bị hạn chế về thể chất, khả năng giác quan kém hoặc tâm thần hoặc thiếu kinh nghiệm và thiếu hiểu biết sử dụng, chỉ khi họ

được một người chịu trách nhiệm cho sự an toàn của họ giám sát hoặc đã được người này hướng dẫn sử dụng keo dán khô trong môi trường an toàn và hiểu được những nguy hiểm có liên quan. Nếu không sẽ có nguy cơ sai sót khi vận hành và gây thương tích.



Không được để phích cắm điện tiếp hợp ngoài mưa hay ở tình trạng ẩm ướt. Nước xâm nhập vào phích cắm điện tiếp hợp sẽ làm tăng nguy cơ điện giật.

- ▶ **Giữ sạch phích cắm điện tiếp hợp.** Có nguy cơ điện giật nếu bị bẩn.
- ▶ **Vui lòng kiểm tra trước khi sử dụng phích cắm điện tiếp hợp.** Không được sử dụng phích cắm điện tiếp hợp nếu bạn phát hiện có hư hỏng. Hãy tự mở phích cắm điện tiếp hợp và nhờ một người có năng lực sửa chữa và chỉ sử dụng các bộ phận dự phòng chính hãng. Phích cắm điện tiếp hợp bị hỏng làm tăng nguy cơ bị điện giật.

Mô Tả Sản Phẩm và Đặc Tính Kỹ Thuật



Đọc kỹ mọi cảnh báo an toàn và mọi hướng dẫn. Không tuân thủ mọi cảnh báo và hướng dẫn được liệt kê dưới đây có thể bị điện giật, gây cháy và / hay bị thương tật

nghiêm trọng.

Xin lưu ý các hình minh họa trong phần trước của hướng dẫn vận hành.

Sử dụng đúng cách

Máy được thiết kế để tháo hoặc bắt vít.

Các bộ phận được minh họa

Sự đánh số các biểu trưng của sản phẩm là để tham khảo hình minh họa của máy trên trang hình ảnh.

- (1) Đầu chìa vặn vít
- (2) Phần lắp dụng cụ
- (3) Vòng điều chỉnh chọn trước mô-men xoắn
- (4) Công tắc bật/tắt
- (5) Gạc vặn chuyển đổi chiều quay
- (6) Đèn báo trạng thái nạp pin

- (7) Giắc cắm Micro-USB
 - (8) Tay nắm (bề mặt nắm cách điện)
 - (9) Cáp USB
 - (10) Phích cắm điện tiếp hợp^{a)}
- a) Phụ tùng được trình bày hay mô tả không phải là một phần của tiêu chuẩn hàng hóa được giao kèm theo sản phẩm. Bạn có thể tham khảo tổng thể các loại phụ tùng, phụ kiện trong chương trình phụ tùng của chúng tôi.


Thông số kỹ thuật

| Máy vận vít chạy pin | | GO |
|--|-------------------|----------------------|
| Mã số máy | | 3 601 JH2 1.. |
| Điện thế danh định | V= | 3,6 |
| Tốc độ không tải ^{A)} | min ⁻¹ | 360 |
| Lực vận tối đa ứng dụng cho việc bắt vận vít vào vật liệu cứng/mềm theo ISO 5393 ^{A)} | Nm | 5/2,5 |
| Ø vít máy tối đa | mm | 5 |
| Trọng lượng theo Qui trình EPTA-Procedure 01:2014 | kg | 0,31 |
| Nhiệt độ môi trường được khuyến nghị khi sạc | °C | +5 ... +45 |
| Nhiệt độ môi trường cho phép trong quá trình vận hành ^{B)} và trong quá trình lưu trữ | °C | -20 ... +50 |
| Pin | | Li-Ion |
| Điện dung | Ah | 1,5 |
| Năng lượng | Wh | 6 |
| Số lượng pin | | 1 |
| Thời gian nạp điện ^{A)} | h | 1,5 |
| Cổng kết nối cáp sạc | | Micro-USB |
| Thiết bị nạp được giới thiệu | V/mA | 5/1000 |

A) được đo ở 20–25 °C

B) hiệu suất giới hạn ở nhiệt độ <0 °C

Bộ sạc**Mã số máy**

| | | |
|------------------|----|--|
| – CN | | 1 607 000 CH1 |
| – TW | | 1 600 A01 3A3 |
| – UK | | 2 609 120 718 |
| – EU | | 2 609 120 713 |
| – AU | | 2 609 120 717 |
| Điện thế nạp pin | V | 5 |
| Dòng điện nạp | mA | 1000 |
| Cấp độ bảo vệ | |  / II |

Sự lắp vào

- ▶ **Bạn hãy đưa công tắc hướng xoay vào vị trí giữa trước khi thực hiện tất cả các công việc ở dụng cụ điện (ví dụ bảo dưỡng, thay đổi dụng cụ, vv) cũng như khi vận chuyển và bảo quản.** Vô tình khởi động công cụ điện có thể dẫn đến thương tích.

Sạc pin (xem Hình A)

Hướng dẫn: Pin đã được sạc một phần. Để bảo đảm đầy đủ điện dung, nạp điện hoàn toàn lại cho pin bằng phích cắm điện tiếp hợp trước khi sử dụng cho lần đầu tiên.

Pin Li-lon hợp khối có thể nạp điện bất cứ lúc nào mà không làm giảm tuổi thọ của pin. Sự gián đoạn trong quá trình nạp điện không làm hư hại pin hợp khối.

Pin Li-lon được bảo vệ ngăn sự phóng điện quá lớn nhờ vào "Electronic Cell Protection (ECP)". Nếu pin bị phóng điện, dụng cụ điện cầm tay sẽ được ngắt bởi một mạch bảo vệ: Dụng cụ điện không chuyển động nữa.

- ▶ **Không tiếp tục tạo áp lực lên trục sau khi dụng cụ điện tự động tắt.** Pin có thể bị hỏng.
- ▶ **Có nguy cơ gây thương tích khi vô tình làm kích hoạt công tắc Tắt/Mở.** Pin có thể bị hỏng.

Hãy kết nối dụng cụ điện (9) với phích cắm điện tiếp hợp (10) qua một cáp USB.

Đèn chỉ báo trạng thái nạp pin (6) sẽ hiển thị tiến trình nạp. Trong quá trình nạp pin, đèn chỉ báo nhấp nháy màu xanh lá. Pin được sạc đầy, nếu hiển thị liên tục có màu xanh lá.

Trong suốt quá trình nạp điện, tay nắm của máy nóng lên. Điều này là bình thường.

Hãy ngắt dụng cụ điện khỏi bộ cấp điện khi không sử dụng trong thời gian dài.

Không thể sử dụng dụng cụ điện được trong khi nạp điện; máy không bị hư hỏng khi không hoạt động trong thời gian nạp điện.

Qui trình hoạt động được chia ra làm hai giai đoạn.

Thay dụng cụ

► **Không được sử dụng tua-vít 2 đầu có lưỡi dài hơn 25 mm.**

Lắp dụng cụ gài

Hãy gắn dụng cụ gài vào hình lục giác trong cửa phần lắp dụng cụ (2), cho đến khi có tiếng khớp vào.

Tháo dụng cụ gài ra

Kéo dụng cụ gài ra khỏi phần lắp dụng cụ (2), dùng kim trong trường hợp khẩn cấp.

Vận Hành

Bắt Đầu Vận Hành

Điều chỉnh hướng xoay (xem Hình B)

► **Chỉ kích hoạt gạt vận chuyển đổi chiều quay (5) khi dụng cụ điện đã ngừng chạy. Nếu không sẽ có hư hỏng.**

Xoay theo chiều kim đồng hồ: Để vận các vít vào hãy đẩy công tắc hướng xoay (5) ra phía trước.

Xoay ngược chiều kim đồng hồ: Để nới lỏng các vít vào hãy đẩy công tắc hướng xoay (5) ra phía sau.

Giữ trục (xem Hình C)

Để giữ lại trục hãy đẩy công tắc hướng xoay (5) vào vị trí giữa.

Do vậy nên vẫn có thể bắt vít vào, ngay cả khi điện pin đã cạn và cho phép máy được sử dụng như là một tua-vít.

Chỉnh đặc lực xoắn

Với vòng điều chỉnh chọn trước mô-men xoắn **(3)** bạn có thể chọn trước mô-men xoắn cần thiết ở 6 mức. Nếu đạt tới mô-men xoắn thiết lập, phụ tùng sẽ được dừng lại.

Cấp độ 1:

Mô-men xoắn nhỏ hơn để vận các vít với đường kính nhỏ hoặc vào vật liệu mềm.

Cấp độ 6:

Mô-men xoắn lớn hơn để vận các vít với đường kính lớn hoặc vào vật liệu cứng.

Bật/tắt

Có hai khả năng vận hành dụng cụ điện.

- Hãy tạo áp suất lên trục và giữ áp suất thẳng đứng. **Để tắt** hãy loại bỏ áp suất ra khỏi trục.
- Bạn hãy nhấn công tắc bật/tắt **(4)**. **Để tắt máy** hãy thả công tắc bật/tắt **(4)**.

Bảo Vệ Chống Quá Tải Dựa Trên Nhiệt Độ

Trong quá trình sử dụng sắp tới, không được để dụng cụ điện bị quá tải. Nếu tải trọng quá nặng hoặc vượt quá nhiệt độ pin cho phép, hệ thống điện sẽ tắt dụng cụ điện, cho tới khi hệ thống này lại ở trong khoảng nhiệt độ vận hành tối ưu.

Bảo Vệ Chống Sự Phóng Điện Quá Nhiều

Pin Li-Ion được bảo vệ ngăn sự phóng điện quá lớn nhờ vào "Electronic Cell Protection (ECP)". Nếu pin bị phóng điện, dụng cụ điện cầm tay sẽ được ngắt bởi một mạch bảo vệ: Dụng cụ điện không chuyển động nữa.

Bảo Dưỡng và Bảo Quản

Bảo Dưỡng Và Làm Sạch

- ▶ **Bạn hãy đưa công tắc hướng xoay vào vị trí giữa trước khi thực hiện tất cả các công việc ở dụng cụ điện (ví dụ bảo dưỡng, thay đổi dụng cụ, vv) cũng như khi vận chuyển và bảo quản.** Có nguy cơ gây thương tích khi vô tình làm kích hoạt công tắc Tắt/Mở.
- ▶ **Để được an toàn và máy hoạt động đúng chức năng, luôn luôn giữ máy và các khe thông gió được sạch.**

Khi pin không còn hoạt động được nữa, xin liên hệ một bộ phận dịch vụ khách hàng được ủy nhiệm dành cho dụng cụ điện **Bosch**.

Nếu như cần phải thay dây dẫn điện thì công việc này phải do hãng **Bosch**, hay một đại lý được **Bosch** ủy nhiệm thực hiện để tránh gặp sự nguy hiểm do mất an toàn.

Dịch vụ hỗ trợ khách hàng và tư vấn sử dụng

Bộ phận phục vụ hàng sau khi bán của chúng tôi trả lời các câu hỏi liên quan đến việc bảo dưỡng và sửa chữa các sản phẩm cũng như phụ tùng thay thế của bạn. Sơ đồ mô tả và thông tin về phụ tùng thay thế cũng có thể tra cứu theo dưới đây: **www.bosch-pt.com**

Đội ngũ tư vấn sử dụng của Bosch sẽ giúp bạn giải đáp các thắc mắc về sản phẩm và phụ kiện.

Trong tất cả các phản hồi và đơn đặt phụ tùng, xin vui lòng luôn luôn nhập số hàng hóa 10 chữ số theo nhãn của hàng hóa.

Việt Nam

CN CÔNG TY TNHH BOSCH VIỆT NAM TẠI TP.HCM

Tầng 14, Ngôi Nhà Đức, 33 Lê Duẩn

Phường Bến Nghé, Quận 1, Thành Phố Hồ Chí Minh

Tel.: (028) 6258 3690

Fax: (028) 6258 3692 - 6258 3694

Hotline: (028) 6250 8555

Email: tuvankhachhang-pt@vn.bosch.com

www.bosch-pt.com.vn

www.baohanhbosch-pt.com.vn

Xem thêm địa chỉ dịch vụ tại:

www.bosch-pt.com/serviceaddresses

Vận chuyển

Pin có chứa Li-Ion là đối tượng phải tuân theo các quy định của Pháp Luật về Hàng Hóa Nguy Hiểm. Người sử dụng có thể vận chuyển pin hợp khối bằng đường bộ mà không cần thêm yêu cầu nào khác.

Khi được vận chuyển thông qua bên thứ ba (vd. vận chuyển bằng đường hàng không hay đại lý giao nhận), phải tuân theo các yêu cầu đặc biệt về đóng gói và dán nhãn. Phải tham vấn chuyên gia về hàng hóa nguy hiểm khi chuẩn bị gói hàng.

Sự thải bỏ



Dụng cụ điện, pin, phụ kiện và bao bì cần được tái sử dụng theo quy định về môi trường.



Bạn không được ném dụng cụ điện và pin vào thùng rác gia đình!

Pin/ắc quy:

Li-ion:

Tuân thủ những hướng dẫn trong phần vận chuyển (xem „Vận chuyển“, Trang 90).

- **Chỉ cho phép kỹ thuật viên tháo pin tích hợp để thải bỏ.** Mở lớp vỏ bọc có thể làm hỏng dụng cụ điện cầm tay.

Để tháo pin ra khỏi dụng cụ điện, hãy bấm dụng cụ điện cho đến khi pin xả hết hoàn toàn. Hãy xoay vít tại vỏ máy ra và gỡ bỏ lớp vỏ bọc để tháo pin.

Lần lượt tách riêng các đầu nối tại pin và ngắt các điện cực để tránh đoản mạch. Ngay cả khi đã xả hoàn toàn, pin vẫn chứa một lượng điện dung còn lại, lượng điện dung này sẽ được phóng ra trong trường hợp đoản mạch.

عربي

إرشادات الأمان

الإرشادات العامة للأمان بالعدد الكهربائية

⚠ تحذير اطلع على كافة تحذيرات الأمان والتعليمات والصور والمواصفات المرفقة بالعدة الكهربائية. عدم اتباع التعليمات الواردة أدناه قد يؤدي إلى حدوث صدمة كهربائية، إلى نشوب حريق و/أو الإصابة بجروح خطيرة.

احتفظ بجميع الملاحظات التحذيرية والتعليمات للمستقبل.

يقصد بمصطلح «العدة الكهربائية» المستخدم في الملاحظات التحذيرية، العدد الكهربائية الموصولة بالشبكة الكهربائية (بواسطة كابل الشبكة الكهربائية) وأيضاً العدد الكهربائية المزودة بمركم (دون كابل الشبكة الكهربائية).

الأمان بمكان الشغل

- ◀ حافظ على نظافة مكان شغلك وإضاءةه بشكل جيد. الفوضى في مكان الشغل ونطاقات العمل غير المضاءة قد تؤدي إلى وقوع الحوادث.
- ◀ لا تشغل بالعدة الكهربائية في نطاق معرض لخطر الانفجار مثل الأماكن التي تتوفر فيه السوائل أو الغازات أو الأغبرة القابلة للاشتعال. العدد الكهربائية تولد شرراً قد يتطاير، فيشعل الأغبرة والأبخرة.
- ◀ حافظ على بقاء الأطفال وغيرهم من الأشخاص بعيداً عندما تستعمل العدة الكهربائية. تشتيت الانتباه قد يتسبب في فقدان السيطرة على الجهاز.

الأمان الكهربائي

- ◀ يجب أن يتلائم قابس العدة الكهربائية مع المقبس. لا يجوز تغيير القابس بأي حال من الأحوال. لا تستعمل القوابس المهينة مع العدد الكهربائية المؤرضة (ذات طرف أرضي). تخفض القوابس التي لم يتم تغييرها والمقابس الملائمة من خطر الصدمات الكهربائية.
- ◀ تجنب ملامسة جسمك للأسطح المؤرضة كالأنابيب والمبردات والمواقد أو التلجيات. يزداد خطر الصدمات الكهربائية عندما يكون جسمك مؤرض أو موصل بالأرضي.
- ◀ أبعد العدة الكهربائية عن الأمطار أو الرطوبة. يزداد خطر الصدمات الكهربائية إن تسرب الماء إلى داخل العدة الكهربائية.
- ◀ لا تسئ استعمال الكابل. لا تستخدم الكابل في حمل العدة الكهربائية أو سحبها أو سحب القابس من المقبس. احرص على إبعاد الكابل عن الحرارة والزيت والحواف الحادة أو الأجزاء

المتحركة. تزيد الكابلات التالفة أو المتشابكة من خطر الصدمات الكهربائية.

- ◀ عند استخدام العدة الكهربائية خارج المنزل اقتصر على استخدام كابلات التمديد الصالحة للاستعمال الخارجي. يقلل استعمال كابل تمديد مخصص للاستعمال الخارجي من خطر الصدمات الكهربائية.
- ◀ إن لم يكن بالإمكان تجنب تشغيل العدة الكهربائية في الأجواء الرطبة، فاستخدم مفتاح للوقاية من التيار المتخلف. إن استخدام مفتاح للوقاية من التيار المتخلف يقلل خطر الصدمات الكهربائية.

أمان الأشخاص

- ◀ كن يقظا وانتبه إلى ما تفعله واستخدم العدة الكهربائية بتعقل. لا تستخدم عدة كهربائية عندما تكون متعبا أو عندما تكون تحت تأثير المخدرات أو الكحول أو الأدوية. عدم الانتباه للحظة واحدة عند استخدام العدة الكهربائية قد يؤدي إلى إصابات خطيرة.
- ◀ قم لارتداء تجهيزات الحماية الشخصية. وارتد دائما نظارات واقية. يحد ارتداء تجهيزات الحماية الشخصية، كقناع الوقاية من الغبار وأحذية الأمان الواقية من الانزلاق والوذ أو واقية الأذنين، حسب ظروف استعمال العدة الكهربائية، من خطر الإصابة بجروح.
- ◀ تجنب التشغيل بشكل غير مقصود. تأكد من كون العدة الكهربائية مطفأة قبل توصيلها بالتيار الكهربائي و/أو بالمركم، وقبل رفعها أو حملها. إن كنت تضع إصبعك على المفتاح أثناء حمل العدة الكهربائية أو إن وصلت الجهاز بالشبكة الكهربائية بينما لامفتاح على وضع التشغيل، قد يؤدي إلى وقوع الحوادث.
- ◀ انزع أداة الضبط أو مفتاح الربط قبل تشغيل العدة الكهربائية. قد تؤدي الأداة أو المفتاح المتواجد في جزء دوار من الجهاز إلى الإصابة بجروح.
- ◀ تجنب أوضاع الجسم غير الطبيعية. قف بأمان وحافظ على توازنك دائما. سيسمح لك ذلك بالتحكم في الجهاز بشكل أفضل في المواقف الغير متوقعة.
- ◀ قم بارتداء ثياب مناسبة. لا ترتد الثياب الفضفاضة أو الحلى. احرص على إبقاء الشعر والملابس بعيدا عن الأجزاء المتحركة. قد تتشابك الثياب الفضفاضة والحلى والشعر الطويل بالأجزاء المتحركة.
- ◀ إن جاز تركيب تجهيزات شفط وتجميع الغبار، فتأكد من أنها موصولة وبأنه يتم استخدامها بشكل سليم. قد يقلل استخدام تجهيزات لشفط الغبار من المخاطر الناتجة عن الغبار.
- ◀ لا تستخدم العدة الكهربائية بلا مبالاة وتجاهل قواعد الأمان الخاصة بها نتيجة لتعودك على استخدام العدة الكهربائية وكثرة استخدامها. فقد يتسبب الاستخدام دون حرص في حدوث إصابة بالغة تحدث في أجزاء من الثانية.

حسن معاملة واستخدام العدد الكهربائي

- ◀ لا تفرط بتمويل الجهاز. استخدم لتنفيذ أشغالك العدة الكهربائية المخصصة لذلك. إنك تعمل بشكل أفضل وأكثر أماناً بواسطة العدة الكهربائية الملائمة في مجال الأداء المذكور.
 - ◀ لا تستخدم العدة الكهربائية إن كان مفتاح تشغيلها تالف. العدة الكهربائية التي لم يعد من الممكن التحكم بها عن طريق مفتاح التشغيل والإطفاء تعتبر خطيرة ويجب أن يتم إصلاحها.
 - ◀ اسحب القابس من المقبس و/أو اخلع المرمك، إذا كان قابلاً للخلع، قبل ضبط الجهاز وقبل استبدال الملحقات أو قبل تخزين الجهاز. تمنع هذه الإجراءات وقائية تشغيل العدة الكهربائية بشكل غير مقصود.
 - ◀ احتفظ بالعدد الكهربائي التي لا يتة استخدامها بعيداً عن متناول الأطفال. لا تسمح باستخدام العدة الكهربائية لمن لا خبرة له بها أو لمن لم يقرأ تلك التعليمات. العدد الكهربائي خطيرة إن تة استخدامها من قبل أشخاص دون خبرة.
 - ◀ اعتن بالعدة الكهربائية والملحقات بشكل جيد. تأكد أن أجزاء الجهاز المتحركة مركبة بشكل سليم وغير مستعصبة عن الحركة، وتفحص ما إن كانت هناك أجزاء مكسورة أو في حالة تؤثر على سلامة أداء العدة الكهربائية. ينبغي إصلاح هذه الأجزاء التالفة قبل إعادة تشغيل الجهاز. الكثير من الحوادث مصدرها العدد الكهربائي التي تم صيانتها بشكل رديء.
 - ◀ احرص على إبقاء عدد القطع نظيفة وحادة. إن عدد القطع ذات حواف القطع المادة التي تة صيانتها بعناية تتكلم بشكل أقل ويمكن توجيهها بشكل أيسر.
 - ◀ استخدم العدد الكهربائي والتوابع وريش الشغل إلخ. وفقاً لهذه التعليمات. تراعى أثناء ذلك ظروف الشغل والعمل المراد تنفيذه. استخدام العدد الكهربائي لغير الأشغال المخصصة لأجلها قد يؤدي إلى حدوث الحلات الخطيرة.
 - ◀ احرص على إبقاء المقابض وأسطح المسك جافة ونظيفة وخالية من الزيوت والشحوم. المقابض وأسطح المسك الزلقة لا تتيح التشغيل والتحكم الآمن في العدة في المواقف غير المتوقعة.
- حسن معاملة واستخدام العدد المزودة بمرمك**
- ◀ اشمن المراكم فقط في أجهزة الشحن التي يُنصح باستخدامها من طرف المنتج. قد يتسبب جهاز الشحن المخصصة لنوع معين من المراكم في خطر الحريق إن تة استخدامه مع نوع آخر من المراكم.
 - ◀ استخدم العدد الكهربائي فقط مع المراكم المصممة لهذا الغرض. قد يؤدي استخدام المراكم الأخرى إلى إصابات وإلى خطر نشوب المرائق.

- ◀ حافظ على إبعاد المركم الذي لا يتة استعماله عن مشابك الورق وقطع النقود المعدنية والمفاتيح والمسامير واللواب أو غيرها من الأغراض المعدنية الصغيرة التي قد تقوم بتوصيل الملامسين ببعضهما البعض. قد يؤدي تقصير الدارة الكهربائية بين ملامسي المركم إلى الاحتراق أو إلى اندلاع النار.
- ◀ قد يتسرب السائل من المركم في حالة سوء الاستعمال. تجنب ملامسته. اشطفه بالماء في حال ملامسته بشكل غير مقصود. إن وصل السائل إلى العينين، فراجع الطبيب إضافة إلى ذلك. قد يؤدي سائل المركم المتسرب إلى تهيج البشرة أو إلى الاحتراق.
- ◀ لا تستخدم عدة أو مركم تعرضا لأضرار أو للتعديل. البطاريات المتعرضة لأضرار أو لتعديلات قد ينتج عنها أشياء لا يمكن التنبؤ بها، تسبب نشوب حريق أو حدوث انفجار أو إصابات.
- ◀ لا تعرض المركم أو العدة للهب أو لدرجة حرارة زائدة. التعرض للهب أو لدرجة حرارة أعلى من 130 °م قد يتسبب في انفجار.
- ◀ اتبع تعليمات الشحن ولا تقم بشحن المركم أو العدة خارج نطاق درجة الحرارة المحدد في التعليمات. الشحن بشكل غير صحيح أو في درجات حرارة خارج النطاق المحدد قد يعرض المركم لأضرار ويزيد من مخاطر الحريق.

الخدمة

- ◀ احرص على إصلاح عدتك الكهربائية فقط بواسطة العمال المتخصصين وباستعمال قطع الغيار الأصلية فقط. يضمن ذلك المحافظة على أمان الجهاز.
- ◀ لا تقم بإجراء أعمال خدمة على المراكم التالفة. أعمال الخدمة على المراكم يجب أن تقوم بها الجهة الصانعة فقط أو مقدم الخدمة المعتمد.

تعليمات الأمان لمفكات اللواب

- ◀ أمسك العدة الكهربائية من أسطح المسك المعزولة عند القيام بأعمال قد يترتب عليها ملامسة أداة الربط لأسلاك كهربائية غير ظاهرة. قد يتسبب تلامس أداة الربط مع سلك «مكهرب» في مرور التيار في الأجزاء المعدنية من العدة وجعلها مكهربة مما قد يصيب المشغل بصدمة كهربائية.
- ◀ استخدم أجهزة تنقيب ملائمة للعثور على خطوط الامداد غير الظاهرة، أو استعن بشركة الامداد المحلية. ملامسة الخطوط الكهربائية قد تؤدي إلى اندلاع النار وإلى الصدمات الكهربائية. حدوث أضرار بخط الغاز قد يؤدي إلى حدوث انفجارات. اختراق خط الماء يتسبب في وقوع أضرار مادية.
- ◀ أمسك بالعدة الكهربائية بإحكام. قد تتشكل عزوم رد فعل عالية لوهلة قصيرة عند إحكام شد وحل اللواب.

- ◀ اضبط مفتاح تحويل اتجاه الدوران على الوضع الأوسط عند إجراء أية أعمال على العدة الكهربائية (مثل الصيانة، تغيير الأدوات وما شابه) وعند نقله وتخزينه. هناك خطر إصابة بجروح عند الضغط على مفتاح التشغيل والإطفاء بشكل غير مقصود.
- ◀ احرص على تأمين قطعة الشغل. قطعة الشغل المثبتة بواسطة تجهيزة شدّ أو بواسطة الملزمة مثبتة بأمان أكبر مما لو تم الإمساك بها بواسطة يدك.
- ◀ انتظر إلى أن تتوقف العدة الكهربائية عن الحركة قبل أن تضعها جانباً. قد تتكبل عدة الشغل فتؤدي إلى فقدان السيطرة على العدة الكهربائية.

احم المركم من الحرارة، بما فيه التعرض لأشعة الشمس باستمرار ومن النار والماء والرطوبة. قد يتشكل خطر الانفجار.



إرشادات الأمان للمهائئ الكهربائي القابسي

- ◀ وحدة تحويل القدرة بالقابس هذه غير مخصصة لاستعمال الأطفال والأشخاص الذين يعانون من نقص في القدرات البدنية أو الحسية أو العقلية أو الذين ليست لديهم الدراية والمعرفة. لا يمكن استخدام وحدة تحويل القدرة بالقابس هذه من قبل الأطفال من 8 سنوات فأكثر، بالإضافة للأشخاص الذين يعانون من نقص في القدرات البدنية أو الحسية أو العقلية أو الذين ليست لديهم الدراية والمعرفة، إلا في حالة الإشراف عليهم من قبل شخص مسؤول عن سلامتهم أو إذا تم إرشادهم إلى كيفية التعامل الآمن مع وحدة تحويل القدرة بالقابس، وإلى الأخطار المرتبطة بها. وإلا فيسكون هناك خطر نتيجة للاستخدام بشكل خاطئ وقد يتعرضون لإصابات.

أبعد وحدة تحويل القدرة بالقابس عن الأمطار أو الرطوبة. يزداد خطر الصدمات الكهربائية إن تسرب الماء إلى داخل وحدة تحويل القدرة بالقابس.

- ◀ حافظ على نظافة وحدة تحويل القدرة بالقابس. حيث يكون هناك خطر حدوث صدمة كهربائية من جراء تعرضها للانساج.
- ◀ افحص وحدة تحويل القدرة بالقابس قبل كل استخدام. لا تستخدم وحدة تحويل القدرة بالقابس إذا اكتشفت وجود أضرار بها. لا تفتح وحدة تحويل القدرة بالقابس بنفسك ولا تقم بإصلاحها إلا لدى فنيين متخصصين مؤهلين مع الاقتصار على استخدام قطع الغيار الأصلية. تزيد وحدات تحويل القدرة بالقابس التالفة من خطر التعرض لصدمة كهربائية.

وصف المنتج والأداء

اقرأ جميع إرشادات الأمان والتعليمات. إن ارتكاب الأخطاء عند تطبيق إرشادات الأمان والتعليمات، قد يؤدي إلى حدوث صدمات الكهربائية أو إلى نشوب الحرائق و/



أو الإصابة بجروح خطيرة.
يرجى الرجوع إلى الصور الموجودة في الجزء الأول من دليل التشغيل.

الاستعمال المخصص

لقد خصصت العدة الكهربائية لربط وفك اللوالب.

الأجزاء المصورة

يشير ترقيم الأجزاء المصورة إلى رسوم العدة الكهربائية الموجودة في صفحة الرسوم التخطيطية.

- (1) لقمة مفك براغي
 - (2) حاضن العدة
 - (3) حلقة ضبط اختيار عزم الدوران مسبقاً
 - (4) مفتاح التشغيل والإطفاء
 - (5) مفتاح تحويل اتجاه الدوران
 - (6) مبيّن حالة شحن المرمك
 - (7) مقبس USB مايكرو
 - (8) مقبض (مقبض مسك معزول)
 - (9) كابل USB
 - (10) المهابئ الكهربائي القابسي^(a)
- (a) لا يتضمن إطار التوريد الاعتيادي التوابع المصورة أو المشروحة. تجد التوابع الكاملة في برنامجنا للتوابع.

البيانات الفنية

| مفك لوالب برمك | | GO |
|-----------------------------------|-------------------------|----|
| رقم الصنف | 3 601 JH2 1.. | |
| الجهد الاسمي | فلط = 3,6 | |
| عدد اللفات للاحملي ^(A) | دقيقة ⁻¹ 360 | |

| مفك لولاب بمركم | | GO |
|---|---------------|---|
| 5/2,5 | نيوتن متر | عزم الدوران الأقصى في حالة ربط لولاب قاسية/ليننة حسب المواصفة (A)ISO 5393 |
| 5 | مم | القطر الأقصى للولاب |
| 0,31 | كجم | الوزن حسب EPTA-Procedure 01:2014 |
| +5 ... +45 | م° | درجة الحرارة المحيطة الموصى بها عند الشحن |
| -20 ... +50 | م° | درجة الحرارة المحيطة المسموح به عند التشغيل ^(B) وعند التخزين |
| المركم | | أيونات الليثيوم |
| 1,5 | أمبير ساعة | السعة |
| 6 | واط ساعة | الطاقة |
| 1 | | عدد خلايا المركم |
| 1,5 | ساعة | مدة الشحن ^(A) |
| مقيس USB مايكرو | | وصلة كابل الشحن |
| 5/1000 | فلط/ملي أمبير | أجهزة الشحن الموصى بها |
| (A) مُقاس عند درجة حرارة 20 - 25 م° | | |
| (B) قدرة محدودة في درجات الحرارة > 0 م° | | |

| الشاحن | | رقم الصنف |
|---------------|-----------|----------------|
| 1 607 000 CH1 | | CN - |
| 1 600 A01 3A3 | | TW - |
| 2 609 120 718 | | UK - |
| 2 609 120 713 | | EU - |
| 2 609 120 717 | | AU - |
| 5 | فلط | جهد شحن المركم |
| 1000 | ملي أمبير | تيار الشحن |
| / II | | فئة الحماية |

التركيب

◀ **اضبط مفتاح تحويل اتجاه الدوران على الوضع الأوسط عند إجراء أية أعمال على العدة الكهربائية (مثل الصيانة، تغيير الأدوات وما شابه) وعند نقله وتخزينه.** هناك خطر إصابة في حالة التشغيل غير المقصود للعدة الكهربائية.

شحن المرمك (انظر الصورة A)

ملحوظة: يتم تسليم المرمك وهو بحالة شحن جزئي. لضمان قدرة أداء المرمك الكاملة، يتوجب شحن المرمك بشكل كامل باستخدام المهايئ الكهربائي القابسي قبل الاستعمال لأول مرة.

يمكن أن يتم شحن مرمك أيونات الليثيوم في أي وقت، دون أن يقلل ذلك من فترة صلاحيته. لا يتسبب قطع عملية الشحن في الإضرار بالمرمك. لقد تم وقاية مرمك أيونات الليثيوم من التفريغ الشديد بواسطة واقية الخلايا الإلكترونية " Electronic Cell Protection (ECP)". يتق إطفاء العدة الكهربائية بواسطة قارئة وفائية عندما يفرغ المرمك: لن تتحرك عدة الشغل عندئذ.

◀ **لا تواصل الضغط على محور الدوران بعد الفصل الأوتوماتيكي للعدة الكهربائية.** فقد يتعرض المرمك لأضرار.

◀ **لا تتابع الضغط على مفتاح التشغيل والإطفاء بعد انطفاء العدة الكهربائية بشكل الي.** فقد يتلف المرمك.

قم بتوصيل العدة الكهربائية عن طريق كابل USB (9) بالمهايئ الكهربائي القابسي (10).

يشير مبيّن حالة شحن المرمك (6) إلى مدى تقدم عملية الشحن. يومض هذا المؤشر باللون الأخضر أثناء عملية الشحن. يكون قد تم شحن المرمك بشكل كامل عندما يضيء المؤشر باللون الأخضر بشكل مستمر. أثناء الشحن يتعرض المقبض اليدوي بالعدة الكهربائية للسخونة. وهذا أمر طبيعي.

في حالة عدم الاستخدام لفترة طويلة افصل العدة الكهربائية عن مصدر الإمداد بالتيار.

لا يمكن استخدام العدة الكهربائية أثناء عملية الشحن، أي أن عدم عملها أثناء عملية الشحن لا يشير إلى وجود عطل. تراعى الإرشادات عند التخلص من العدد.

استبدال العدد

◀ **لا تستخدم شفرات مفك اللوالب المزدوجة التي يزيد طولها عن 25 مم.**

تركيب عدة الشغل

أدخل عدة الشغل في المقطع السداسي الداخلي لحاكن العدة (2) إلى أن يستقر بثبات.

فك عدة الشغل

اسحب عدة الشغل من حاكن العدة (2)، واستخدم كامشة عند اللزوم.

التشغيل**بدء التشغيل****ضبط اتجاه الدوران (انظر الصورة B)**

◀ لا تضغط على مفتاح تحويل اتجاه الدوران (5) إلا والعدة الكهربائية متوقفة، وإلا فقد تحدث أضرار.

دوران اليمين: لربط اللوالب حرك مفتاح تحويل اتجاه الدوران (5) إلى الأمام.
دوران اليسار: لحل أو فك اللوالب حرك مفتاح تحويل اتجاه الدوران (5) إلى الخلف.

تثبيت محور الدوران (انظر الصورة C)

لثبيت محور الدوران حرك مفتاح تحويل اتجاه الدوران (5) إلى الوضع الأوسط. ويسمح ذلك بربط اللوالب حتى لو كان المرمك فارغ أو باستخدام العدة الكهربائية بمثابة مفك براغي اعتيادي.

ضبط عزم الدوران مسبقا

تسمح لك حلقة ضبط اختيار عزم الدوران مسبقا (3) بضبط عزم الدوران المطلوب على 6 درجات بشكل مسبق. بمجرد الوصول إلى عزم الدوران المضبوط يتم إيقاف عدة الشغل.

الدرجة 1:

عزم دوران أصغر لربط اللوالب الصغيرة القطر أو لربطها بخامات الشغل الطرية.

الدرجة 6:

عزم دوران أكبر لربط اللوالب الكبيرة القطر أو لربطها بمواد الشغل الصلبة.

التشغيل والإطفاء

هناك إكمانيتين لتشغيل العدة الكهربائية.

- اضغط على محور الدوران واجعل الضغط رأسيا. **للإطفاء** أزل الضغط عن محور الدوران.
- اضغط على مفتاح التشغيل والإطفاء (4). **للإطفاء** اترك مفتاح التشغيل والإطفاء (4).

وسيلة حماية من التحميل الزائد المرتبطة بدرجة الحرارة

في الاستعمال المطابق للتعليمات لا يمكن تعريض العدة الكهربائية للتحميل الزائد. في حالة التحميل الزائد أو تجاوز درجة حرارة البطارية المسموح بها تقوم الوحدة الإلكترونية بفصل العدة الكهربائية إلى أن تصل مرة أخرى إلى نطاق درجة حرارة التشغيل المثالي.

واقية التفريغ العميق

لقد تم وقاية مركب أيونات الليثيوم من التفريغ الشديد بواسطة واقية الخلايا الإلكترونية , "Electronic Cell Protection (ECP)". يتم إطفاء العدة الكهربائية بواسطة قارئة وقائية عندما يفرغ المركب: لن تتحرك عدة الشغل عندئذ.

الصيانة والخدمة

الصيانة والتنظيف

- ◀ اضبط مفتاح تحويل اتجاه الدوران على الوضع الأوسط عند إجراء أية أعمال على العدة الكهربائية (مثل الصيانة، تغيير الأدوات وما شابه) وعند نقله وتخزينه. هناك خطر إصابة بجروح عند الضغط على مفتاح التشغيل والإطفاء بشكل غير مقصود.
- ◀ للعمل بشكل جيد وأمن حافظ دائمًا على نظافة العدة الكهربائية وفتحات التهوية.

يرجى التوجه إلى مركز خدمة عملاء معتمد لوكالة **Bosch** للعدد الكهربائية، إن لم يعد المركب صالحا للعمل.
إذا تطلب الأمر استبدال خط الإمداد، فينبغي أن يتم ذلك من قبل شركة **Bosch** أو من قبل مركز خدمة الزبائن المعتمد لشركة **Bosch** للعدد الكهربائية، لتجنب التعرض للمخاطر.

خدمة العملاء واستشارات الاستخدام

يجيب مركز خدمة العملاء على الأسئلة المتعلقة بإصلاح المنتج وصيانتته، بالإضافة لقطع الغيار. تجد الرسوم التفصيلية والمعلومات الخاصة بقطع الغيار في الموقع: www.bosch-pt.com
يسر فريق Bosch لاستشارات الاستخدام مساعدتك إذا كان لديك أي استفسارات بخصوص منتجاتنا وملحقاتها.
يلزم ذكر رقم الصنف ذو الخانات العشر وفقا للوحة صنع المنتج عند إرسال أية استفسارات أو طلبيات قطع غيار.

المغرب

Robert Bosch Morocco SARL
53 شارع الملازم محمد مرور

20300 الدار البيضاء
الهاتف: +212 5 29 31 43 27
البريد الإلكتروني: sav.outillage@ma.bosch.com

تجد المزيد من عناوين الخدمة تحت:
www.bosch-pt.com/serviceaddresses

النقل

تخضع مراكم أيونات الليثيوم المركبة لأحكام قانون المواد الخطيرة. يسمح للمستخدم أن يقوم بنقل المراكم على الطرقات دون التقيد بأية شروط إضافية.
عندما يتم إرسالها عن طريق طرف آخر (مثلاً: الشحن الجوي أو شركة شحن)، يتوجب التقيد بشروط خاصة بصدد التغليف ووضع العلامات. ينبغي استشارة خبير متخصص بنقل المواد الخطيرة عندما يرغب بتحضير المرمك المراد شحنه في هذه الحالة.

التخلص من العدة الكهربائية

يجب التخلص من العدة الكهربائية والمركم والتوابع والتغليف بطريقة صديقة للبيئة عن طريق النفايات القابلة لإعادة التصنيع.
لا تلق العدة الكهربائية والمراكم/البطاريات ضمن النفايات المنزلية!



المراكم/البطاريات:

مراكم أيونات الليثيوم:

يرجى مراعاة الإرشادات الواردة في جزء النقل (انظر „النقل“، الصفحة 102).

⚠ لا يجوز إخراج المراكم المدمجة للتخلص منها إلا من قبل فنيين متخصصين. فقد يتسبب فتح غطاء جسم الجهاز في إتلاف العدة الكهربائية. لإخراج المرمك من العدة الكهربائية استمر في الضغط على العدة الكهربائية إلى أن تفرغ شحنة المرمك بالكامل. قم بفك اللوالب الموجودة بجسم الجهاز واخلع غطاء جسم الجهاز لإخراج المرمك. لمنع حدوث دائرة قصر قم بفصل أطراف توصيل المرمك كل على حدة بشكل متتالي، ثم اعزل الأقطاب. حتى مع الفراغ الكامل لشحنة البطارية توجد قدرة متبقية في المرمك، يمكن أن تتحرر في حالة دائرة القصر.

فارسی

دستورات ایمنی

نکات ایمنی عمومی برای ابزارهای برقی

⚠ هشدار کلیه هشدارها، دستورالعملها، تصاویر و مشخصات ارائه شده به همراه ابزار برقی را مطالعه کنید.

اشتباهات ناشی از عدم رعایت این دستورات ایمنی ممکن است باعث برق گرفتگی، سوختگی و یا سایر جراحات های شدید شود.

کلیه هشدارهای ایمنی و راهنماییها را برای آینده خوب نگهداری کنید.

عبارت «ابزار برقی» در هشدارها به ابزارهایی که به پریز برق متصل میشوند (با سیم برق) و یا ابزارهای برقی باتری دار (بدون سیم برق) اشاره دارد.

ایمنی محل کار

◀ محیط کار را تمیز و روشن نگه دارید. محیطهای در هم ریخته یا تاریک احتمال بروز حادثه را افزایش میدهند.

◀ ابزار برقی را در محیطهایی که خطر انفجار وجود دارد و حاوی مایعات، گازها و بخارهای محترقه هستند، به کار نگیرید. ابزارهای برقی جرقههایی ایجاد میکنند که میتوانند باعث آتش گرفتن گرد و غبارهای موجود در هوا شوند.

◀ هنگام کار با ابزار برقی، کودکان و سایر افراد را از دستگاه دور نگه دارید. در صورتیکه حواس شما پرت شود، ممکن است کنترل دستگاه از دست شما خارج شود.

ایمنی الکتریکی

◀ دوشاخه ابزار برقی باید با پریز برق تناسب داشته باشد. هیچگونه تغییری در دوشاخه ایجاد نکنید. مبدل دوشاخه نباید همراه با ابزار برقی دارای اتصال زمین استفاده شود. دوشاخههای اصل و تغییر داده نشده و پریزهای مناسب، خطر برق گرفتگی را کاهش میدهند.

◀ از تماس بدنی با قطعات متصل به سیم اتصال زمین مانند لوله، شوفاز، اجاق برقی و یخچال خودداری کنید. در صورت تماس بدنی با سطوح و قطعات دارای اتصال به زمین و همچنین تماس شما با زمین، خطر برق گرفتگی افزایش می یابد.

◀ ابزارهای برقی را در معرض باران و رطوبت قرار ندهید. نفوذ آب به ابزار برقی، خطر شوک الکتریکی را افزایش میدهد.

◀ از سیم دستگاه برای مقاصد دیگر استفاده نکنید. هرگز برای حمل ابزار برقی، کشیدن آن یا خارج کردن دوشاخه از سیم دستگاه

استفاده نکنید. کابل دستگاه را از حرارت، روغن، لپه‌های تیز یا قطعات متحرک دور نگه دارید. کابلهای آسیب دیده و یا گره خورده خطر شوک الکتریکی را افزایش میدهند.

◀ **هنگام استفاده از ابزار برقی در محیطهای باز، تنها از کابل رابطی استفاده کنید که برای محیط باز نیز مناسب باشد.** کابل های رابط مناسب برای محیط باز، خطر برق گرفتگی را کم می کنند.

◀ **در صورت لزوم کار با ابزار برقی در محیط و اماکن مرطوب، باید از یک کلید حفاظتی جریان خطا و نشستی زمین (کلید قطع کننده اتصال با زمین) استفاده کنید.** استفاده از کلید حفاظتی جریان خطا و نشستی زمین خطر برق گرفتگی را کاهش می دهد.

رعایت ایمنی اشخاص

◀ **حواس خود را خوب جمع کنید، به کار خود دقت کنید و با فکر و هوشیاری کامل با ابزار برقی کار کنید.** در صورت خستگی و یا در صورتی که مواد مخدر، الکل و دارو استفاده کرده‌اید، با ابزار برقی کار نکنید. یک لحظه بی توجهی هنگام کار با ابزار برقی، میتواند جراثم های شدیدی به همراه داشته باشد.

◀ **از تجهیزات ایمنی شخصی استفاده کنید.** همواره از عینک ایمنی استفاده نمایید. استفاده از تجهیزات ایمنی مانند ماسک ضد گرد و غبار، کفشهای ایمنی ضد لغزش، کلاه ایمنی و گوشی محافظ متناسب با نوع کار با ابزار برقی، خطر مجروح شدن را کاهش میدهد.

◀ **مواظب باشید که ابزار برقی بطور ناخواسته بکار نیفتد.** قبل از وارد کردن دوشاخه دستگاه در پریز برق، اتصال آن به باتری، برداشتن آن و یا حمل دستگاه، باید دقت کنید که ابزار برقی خاموش باشد. در صورتی که هنگام حمل دستگاه انگشت شما روی دکمه قطع و وصل باشد و یا دستگاه را در حالت روشن به برق بزنید، ممکن است سوانح کاری پیش آید.

◀ **قبل از روشن کردن ابزار برقی، همه ابزارهای تنظیم کننده و آچارها را از روی دستگاه بردارید.** ابزار و آچارهایی که روی بخش های چرخنده دستگاه قرار دارند، میتوانند باعث ایجاد جراثم شوند.

◀ **وضعیت بدن شما باید در حالت عادی قرار داشته باشد.** برای کار جای مطمئنی برای خود انتخاب کرده و تعادل خود را همواره حفظ کنید. به این ترتیب میتوانید ابزار برقی را در وضعیتهای غیر منتظره بهتر تحت کنترل داشته باشید.

◀ **لباس مناسب بپوشید.** از پوشیدن لباسهای گشاد و حمل زینت آلات خودداری کنید. موها و لباس خود را از بخشهای در حال چرخش دستگاه دور نگه دارید. لباسهای گشاد، موی بلند و زینت آلات ممکن است در قسمتهای در حال چرخش دستگاه گیر کنند.

- ◀ در صورتی که تجهیزاتی برای اتصال وسائل مکش گرد و غبار و یا وسیله جمع کننده گرد و غبار ارائه شده است، باید مطمئن شوید که این وسائل درست نصب و استفاده می شوند. استفاده از وسائل مکش گرد و غبار مصونیت شما را در برابر گرد و غبار زیادتر نمیکند.
- ◀ آشنایی با ابزار به دلیل کار کردن زیاد با آن نباید باعث سهل انگاری شما و نادیده گرفتن اصول ایمنی شود. بی دقتی ممکن است باعث بروز جراحاتی در عرض کسری از ثانیه شود.

استفاده صحیح از ابزار برقی و مراقبت از آن

- ◀ از وارد کردن فشار زیاد روی دستگاه خودداری کنید. برای هر کاری، از ابزار برقی مناسب با آن استفاده کنید. بکار گرفتن ابزار برقی مناسب باعث میشود که بتوانید از توان دستگاه بهتر و با اطمینان بیشتر استفاده کنید.

- ◀ در صورت ایراد در کلید قطع و وصل ابزار برقی، از دستگاه استفاده نکنید. ابزار برقی که نمی توان آنها را قطع و وصل کرد، خطرناک بوده و باید تعمیر شوند.

- ◀ قبل از تنظیم ابزار برقی، تعویض متعلقات و یا کنار گذاشتن آن، دوشاخه را از برق بکشید و یا باتری آنرا خارج کنید. رعایت این اقدامات پیشگیری ایمنی از راه افتادن ناخواسته ابزار برقی جلوگیری می کند.

- ◀ ابزار برقی را در صورت عدم استفاده، از دسترس کودکان دور نگه دارید و اجازه ندهید که افراد ناوارد و یا اشخاصی که این دفترچه راهنما را نخواندهاند، با این دستگاه کار کنند. قرار گرفتن ابزار برقی در دست افراد ناوارد و بی تجربه خطرناک است.

- ◀ از ابزار برقی و متعلقات خوب مراقبت کنید. مواظب باشید که قسمت های متحرک دستگاه خوب کار کرده و گیر نکند. همچنین دقت کنید که قطعات ابزار برقی شکسته و یا آسیب دیده نباشند. قطعات آسیب دیده را قبل از شروع به کار تعمیر کنید. علت بسیاری از سوانح کاری، عدم مراقبت کامل از ابزارهای برقی می باشد.

- ◀ ابزار برش را تیز و تمیز نگه دارید. ابزار برشی که خوب مراقبت شده و از لبه های تیز برخوردار است، کمتر در قطعه کار گیر کرده و بهتر قابل هدایت است.

- ◀ ابزار برقی، متعلقات، متنهاى دستگاه و غیره را مطابق دستورات این جزوه راهنما به کار گیرید و به شرایط کاری و نوع کار نیز توجه داشته باشید. استفاده از ابزار برقی برای عملیاتی به جز مقاصد در نظر گرفته شده، میتواند به بروز شرایط خطرناک منجر شود.

- ◀ دستها و سطوح عایق را همواره خشک، تمیز و عاری از روغن و گریس نگه دارید. دسته های لغزنده مانع ایمنی و کنترل در کار در شرایط غیر منتظره هستند.

مراقبت و طرز استفاده از ابزارهای شارژی

- ◀ **باتریها را منحصراً توسط شارژرهایی که توسط سازنده توصیه شدهاند، شارژ کنید.** در صورتی که برای شارژ باتری، آنرا در شارژری قرار دهید که برای آن باتری ساخته نشده است، خطر آتش سوزی وجود دارد.
- ◀ **در ابزارهای برقی فقط از باتریهایی استفاده کنید که برای آن نوع ابزار برقی در نظر گرفته شدهاند.** استفاده از باتریهای متفرقه میتواند منجر به بروز جراحت و حریق گردد.
- ◀ **در صورت عدم استفاده از باتری باید آنرا از گیره های فلزی، سکه، کلید، میخ، پیچ و دیگر وسایل کوچک فلزی دور نگه دارید، زیرا این وسایل ممکن است باعث ایجاد اتصالی شوند.** ایجاد اتصالی بین دو قطب باتری (ترمینالهای باتری) میتواند باعث سوختگی و ایجاد حریق شود.
- ◀ **استفاده بی رویه از باتری میتواند باعث خروج مایعات از آن شود؛ از هر گونه تماس با این مایعات خودداری کنید.** در صورت تماس اتفاقی با آن، دست خود و یا محل تماس را با آب بشوئید. در صورت آلوده شدن چشم با این مایع، باید به پزشک مراجعه کنید. مایع خارج شده از باتری میتواند باعث التهاب پوست و سوختگی شود.
- ◀ **هرگز از باتری یا ابزار آسیب دیده یا دست کاری شده استفاده نکنید.** باتریهای آسیب دیده ممکن است کارکرد غیر منتظرهای داشته باشند و منجر به آتش سوزی، انفجار یا جراحت شوند.
- ◀ **باتری یا ابزار را در معرض آتش یا دمای زیاد قرار ندهید.** قرار گرفتن در معرض آتش یا دمای بالاتر از 130 درجه سانتیگراد میتواند باعث انفجار شود.
- ◀ **همه راهنماییهای مربوط به شارژ را رعایت کنید و باتری یا ابزار را خارج از محدوده دمای تعریف شده در دستورات شارژ نکنید.** شارژ کردن نادرست یا در دمای خارج از محدوده تعریف شده ممکن است به باتری صدمه بزند و خطر آتش سوزی را افزایش دهد.

سرویس

- ◀ **برای تعمیر ابزار برقی فقط به متخصصین حرفهای رجوع کنید و از قطعات بدکی اصل استفاده نمایید.** این باعث خواهد شد که ایمنی دستگاه شما تضمین گردد.
- ◀ **هرگز باتریهای آسیب دیده را تعمیر نکنید.** باتری باید تنها توسط متخصصین مجاز شرکت تعمیر شوند.

راهنماییهای ایمنی برای پیچگوشتیها

- ◀ **در صورت انجام کارهایی که امکان برخورد با کابلهای حامل جریان برق مفی وجود دارد، ابزار برقی را از دسته عایق بگیریید در صورت برخورد با یک کابل حامل "جریان برق" ممکن است قسمتهای فلزی ابزار**

برقی حامل "جریان برق" شوند و باعث بروز شوک الکتریکی یا برق گرفتگی گردند.

◀ برای پیدا کردن لوله ها و سیم های پنهان موجود در ساختمان و محدوده کار، از یک دستگاه ردیاب مخصوص برای یافتن لوله ها و سیمهای تأسیسات استفاده کنید و یا با شرکت های کارهای تأسیسات ساختمان و خدمات مربوطه تماس بگیرید. تماس با کابل و سیمهای برق ممکن است باعث آتشسوزی و یا برق گرفتگی شود. ایراد و آسیب دیدگی لوله گاز میتواند باعث انفجار شود. سوراخ شدن لوله آب باعث ایجاد خسارت میشود.

◀ ابزار برقی را محکم بگیرید. هنگام سفت و باز کردن پیچها ممکن است گشتاورهای بازگشتی بالایی به طور موقت ایجاد شوند.

◀ قبل از انجام هر گونه کاری با ابزار برقی (از جمله سرویس، تعویض ابزار و غیره) و همچنین به هنگام حمل و نقل و یا در انبار نگهداری کردن، کلید تغییر جهت چرخش را به وسط برانید. در صورت فشرده شدن اتفاقی کلید روشن/خاموش، خطر آسیب دیدگی وجود دارد.

◀ قطعه کار را محکم کنید. در صورتیکه قطعه کار به وسیله تجهیزات نگهدارنده و یا بوسیله گیره محکم شده باشد، قطعه کار مطمئن تر نگه داشته میشود، تا اینکه بوسیله دست نگهداشته شود.

◀ قبل از کنار گذاشتن ابزار برقی صبر کنید تا دستگاه بطور کامل از کار و حرکت بایستد. ابزار ممکن است به قطعه کار گیر کرده و کنترل ابزار برقی از دست شما خارج شود.

باتری را در برابر حرارت، از جمله در برابر تابش مداوم خورشید و همچنین در برابر آتش، آب و رطوبت محفوظ بدارید. خطر انفجار وجود دارد.



نکات ایمنی برای دوشاخه برق

◀ این دستگاه شارژ برای کودکان و سایر افراد دارای کاستیهای روحی و جسمی یا بدون تجربه یا آشنایی در نظر گرفته نشده است. کودکان بالای 8 سال و سایر افراد دارای کاستیهای روحی و جسمی یا بدون تجربه یا آشنایی که نمی توانند این دستگاه شارژ را با اطمینان بکار برند، می توانند از دستگاه شارژ با نظارت و توجیه روش کاربری و خطرات ممکن بوسیله یک فرد مسؤول استفاده کنند. در غیر اینصورت خطر کاربرد اشتباه و جراحت وجود دارد.



دستگاه شارژ را از باران و رطوبت دور نگهدارید. نفوذ آب به دستگاه شارژ، خطر شوک الکتریکی را افزایش میدهد.

◀ دستگاه شارژ را تمیز نگه دارید. آلودگی می تواند خطر ایجاد شوک الکتریکی داشته باشد.

◀ پیش از هر بار کاربری، دستگاه شارژ را کنترل کنید. در صورت تشخیص هر گونه آسیب دیدگی، از دستگاه شارژ استفاده نکنید. دستگاه شارژ را سر خود باز نکنید و برای تعمیر دستگاه فقط به متخصصین حرفه ای رجوع و از وسایل یدکی اصل استفاده کنید. دستگاه های شارژ آسب دیده، خطر برق گرفتگی را افزایش میدهند.

توضیحات محصول و کارکرد

همه دستورات ایمنی و راهنمائیها را بخوانید. اشتباهات ناشی از عدم رعایت این دستورات ایمنی ممکن است باعث برقگرفتگی، سوختگی و یا سایر جراحات های



شدید شود.

به تصویرهای واقع در بخشهای اول دفترچه راهنما توجه کنید.

موارد استفاده از دستگاه

این ابزار برقی برای باز کردن و بستن پیچ ها ساخته شده است.

تصاویر اجزاء دستگاه

شماره های اجزاء دستگاه که در تصویر مشاهده میشود، مربوط به شرح ابزار برقی می باشد که تصویر آن در این دفترچه آمده است.

- (1) سری پیچگوشتی
- (2) ابزارگری
- (3) حلقه تنظیم انتخاب گشتاور
- (4) کلید روشن/خاموش
- (5) کلید تغییر جهت چرخش
- (6) نشانگر وضعیت شارژ باتری
- (7) سوکت میکرو یو اس بی
- (8) دستگیره (دارای روکش عایق)
- (9) کابل یو اس بی
- (10) دوشاخه آداپتور^a

(a) کلیه متعلقاتی که در تصویر و یا در متن آمده است، بطور معمول همراه دستگاه ارائه نمی شود. لطفاً لیست کامل متعلقات را از فهرست برنامه متعلقات اقتباس نمایید.

مشخصات فنی

| GO | | پیچگوشی شارژی |
|----------------|-------------------|---|
| 3 601 JH2 1.. | | شماره فنی |
| 3,6 | V= | ولتاژ نامی |
| 360 | ⁻¹ min | تعداد دور در حالت بدون بار ^(A) |
| 5/2,5 | Nm | حداکثر گشتاور پیچکاری سخت/نرم بر اساس ISO 5393 ^(A) |
| 5 | mm | حداکثر قطر پیچ ها |
| 0,31 | kg | وزن مطابق استاندارد EPTA-Procedure 01:2014 |
| +5 ... +45 | °C | دمای توصیه شده محیط هنگام شارژ |
| -20 ... +50 | °C | دمای مجاز محیط هنگام کار ^(B) و هنگام انبار کردن |
| لیتیوم-یونی | | باتری قابل شارژ |
| 1,5 | Ah | ظرفیت |
| 6 | Wh | انرژی |
| 1 | | تعداد سلول های باتری قابل شارژ |
| 1,5 | h | مدت زمان شارژ ^(A) |
| میکرو یو اس بی | | اتصال کابل شارژ |
| 5/1000 | V/mA | شارژهای توصیه شده |
| | | (A) اندازه گیری شده در °C 20-25 |
| | | (B) توان محدود برای دمای °C <0 |
| | | شارژر |
| | | شماره فنی |
| 1 607 000 CH1 | | CN - |
| 1 600 A01 3A3 | | TW - |
| 2 609 120 718 | | UK - |
| 2 609 120 713 | | EU - |
| 2 609 120 717 | | AU - |
| 5 | V | ولتاژ شارژ باتری قابل شارژ |
| 1000 | mA | جریان شارژ |

نصب

◀ قبل از انجام هر گونه کاری با ابزار برقی (برای مثال سرویس، تعویض ابزار و غیره) و همچنین به هنگام حمل و نقل و یا نگهداری در انبار، کلید تغییر جهت چرخش را به وسط برانید. هنگام راه اندازی ناخواسته ابزار برقی خطر آسیب دیدگی وجود دارد.

شارژ کردن باتری (رجوع کنید به تصویر A)

نکته: باتری با شارژ نسبی ارسال می شود. جهت تضمین کارایی کامل باتری های قابل شارژ، آنها را با دوشاخه قبل از اولین استفاده بطور کامل شارژ کنید.

باتری قابل شارژ لیتیوم-یونی را می توان در هر زمانی شارژ نمود، بدون اینکه از طول عمر آن کاسته شود. قطع کردن فرایند شارژ آسیبی به باتری نمی رساند.

باتری قابل شارژ لیتیوم-یونی از طریق سیستم حفاظت الکترونیک (ECP) در برابر خالی شدن حفاظت می شود. اگر باتری قابل شارژ خالی شود، ابزار برقی از طریق سیستم حفاظتی خاموش می گردد: ابزار مورد استفاده دیگر حرکت نمی کند.

◀ **پس از خاموش شدن اتوماتیک ابزار برقی، دیگر روی محور فشار وارد نکنید.** ممکن است باتری آسیب ببیند.

◀ **پس از خاموش شدن اتوماتیک ابزار برقی، از فشار دادن مجدد کلید قطع و وصل خودداری کنید.** این میتواند باعث آسیب دیدن باتری شود.

ابزار برقی را به وسیله کابل یو اس بی (9) به دوشاخه آداپتور (10) وصل کنید.

نشانگر وضعیت شارژ باتری (6) میزان پیشرفت شارژ را نشان میدهد. طی فرایند شارژ، نشانگر به رنگ سبز چشمک میزند. در صورت روشن شدن ممتد نشانگر به رنگ سبز، باتری کاملاً شارژ شده است.

طی فرایند شارژ، دسته ابزار برقی کمی گرم میشود. این امر طبیعی است. در صورت عدم استفاده به مدت طولانی، ابزار برقی را از برق بکشید.

از ابزار برقی نمیتوان طی فرایند شارژ استفاده کرد؛ چنانچه ابزار هنگام شارژ کار نکرد، آن را خراب تلقی نکنید.

به نکات مربوط به نحوه از رده خارج کردن باتری توجه کنید.

تعویض ابزار

◀ از سر پیچگوشتی 2 طرفه با طول بیش از 25 میلیمتر استفاده نکنید.

نحوه قرار دادن و جاگذاری ابزار

ابزار را در شش گوشه درونی (آلن) ابزارگیر (2) قرار دهید تا به طور محسوس جابجا نشود.

برداشتن ابزار از روی دستگاه

ابزار را از ابزارگیر (2) در صورت لزوم به کمک یک انبردست بیرون بکشید.

طرز کار با دستگاه

راه اندازی و نحوه کاربرد دستگاه

تنظیم جهت چرخش (رجوع کنید به تصویر B)

◀ کلید تغییر جهت چرخش (5) را تنها هنگام متوقف بودن دستگاه فعال کنید. در غیر این صورت ممکن است آسیب ببیند.

راست گرد: جهت پیچاندن پیچها، کلید تغییر جهت چرخش (5) را به جلو بکشید.
چپ گرد: جهت باز کردن یا بیرون کشیدن پیچها، کلید تغییر جهت چرخش (5) را به عقب بکشید.

قفل کردن محور (رجوع کنید به تصویر C)

جهت قفل کردن محور، کلید تغییر جهت چرخش (5) را در وضعیت وسط قرار دهید.

این امر امکان پیچاندن پیچها حتی در حالت خالی بودن باتری و همچنین استفاده از ابزار برقی به عنوان پیچگوشتی را فراهم میسازد.

انتخاب گشتاور

از طریق حلقه تنظیم انتخاب گشتاور (3) میتوانید گشتاور لازم را در 6 درجه از پیش انتخاب کنید. به محض رسیدن به گشتاور تنظیم شده، ابزار مورد استفاده متوقف میشود.

درجه 1:

گشتاور کم برای پیچاندن پیچهای دارای قطر کم یا روی مواد نرم.

درجه 6:

گشتاور زیاد برای پیچاندن پیچهای دارای قطر زیاد یا روی مواد سخت.

روشن/خاموش کردن

برای به کار گرفتن ابزار برقی دو امکان وجود دارد.

– روی محور فشار بیاورید و فشار را همانطور حفظ کنید. **جهت خاموش کردن** فشار را از روی محور بردارید.

– کلید روشن/خاموش (4) را فشار دهید. جهت خاموش کردن کلید روشن/خاموش (4) را رها کنید.

کلاج ایمنی وابسته به دما

در صورت استفاده ی اصولی فشاری به ابزار برقی وارد نمی شود. در صورت فشار زیاد یا تجاوز از دمای مجاز باتری، الکترونیک ابزار خاموش می شود تا دما دوباره به محدوده کاری برسد.

حفاظت در برابر تخلیه کامل باتری

باتری های لیتیوم-یونی دارای سیستم حفاظت الکترونیک "Electronic Cell Protection (ECP)" بوده و در برابر خالی شدن حفاظت می شوند. اگر باتری خالی شود، ابزار برقی از طریق کلید حفاظتی بطور اتوماتیک خاموش میشود و دستگاه دیگر حرکت نمیکند.

مراقبت و سرویس

مراقبت، تعمیر و تمیز کردن دستگاه

- ◀ قبل از انجام هر گونه کاری با ابزار برقی (از جمله سرویس، تعویض ابزار و غیره) و همچنین به هنگام حمل و نقل و یا در انبار نگهداری کردن، کلید تغییر جهت چرخش را به وسط برانید. در صورت فشرده شدن اتفاقی کلید روشن/خاموش، خطر آسیب دیدگی وجود دارد.
- ◀ ابزار الکتریکی و شیارهای تهویه آنرا تمیز نگاه دارید، تا ایمنی شما در کار تضمین گردد.

در صورتیکه باتری دیگر قابل استفاده نباشد، لطفاً به نمایندگی مجاز و خدمات پس از فروش ابزار آلات برقی Bosch مراجعه نمایید. در صورت نیاز به یک کابل یدکی برای اتصال به شبکه برق، بایستی به شرکت Bosch و یا به نمایندگی مجاز Bosch (خدمات پس از فروش) برای ابزار آلات برقی مراجعه کنید تا از بروز خطرات ایمنی جلوگیری بعمل آید.

خدمات و مشاوره با مشتریان

خدمات مشتری، به سؤالات شما درباره تعمیرات، سرویس و همچنین قطعات یدکی پاسخ خواهد داد. نقشه‌های سه بعدی و اطلاعات مربوط به قطعات یدکی را در تارنمای زیر میبایید:

www.bosch-pt.com

گروه مشاوره به مشتریان Bosch با کمال میل به سؤالات شما درباره محصولات و متعلقات پاسخ می دهند.

برای هرگونه سؤال و یا سفارش قطعات یدکی، حتماً شماره فنی 10 رقمی کالا را مطابق برچسب روی ابزار برقی اطلاع دهید.

ایران

روبرت بوش ایران - شرکت بوش تجارت پارس
میدان ونک، خیابان شهید خدای، خیابان آفتاب
ساختمان مادیران، شماره 3، طبقه سوم.
تهران 1994834571
تلفن: 9821+ 42039000

آدرس سایر دفاتر خدماتی را در ادامه ببینید:
www.bosch-pt.com/serviceaddresses

حمل دستگاه

باتریهای لیتیوم-یونی تابع مقررات حمل کالاهای پر خطر می باشند. کاربر می تواند باتریها را بدون استفاده از روکش در خیابان حمل کند. در صورت ارسال توسط شخص ثالث (مانند: حمل و نقل هوایی یا زمینی) باید تمهیدات مربوط به بسته بندی و علامتگذاری مورد توجه قرار گیرد. در اینصورت باید حتما جهت آماده سازی قطعه ارسالی به کارشناس حمل کالاهای پر خطر مراجعه کرد.

از رده خارج کردن دستگاه

ابزارهای برقی، باتری ها، متعلقات و بسته بندی ها، باید طبق مقررات حفظ محیط زیست از رده خارج و بازیافت شوند.

ابزار برقی و باتری ها/ باتری های قابل شارژ را داخل زباله دان خانگی نیندازید!



باتریهای شارژی/قلمی: لیتیوم-یونی:

لطفاً به تذکرات بخش (رجوع کنید به „حمل دستگاه“، صفحه 113) توجه کنید.

◀ **باتریهای شارژی داخلی را فقط باید توسط متخصص بیرون آورده شود.** از طریق باز کردن درب بدنه ممکن است ابزار برقی خراب شود.

جهت درآوردن باتری از ابزار برقی، از ابزار برقی تا خالی شدن باتری استفاده کنید. پیچهای روی بدنه را درآورید و درب بدنه را جدا کنید تا باتری جدا شود. جهت جلوگیری از اتصال کوتاه، اتصالیهای باتری را به صورت تکی جدا کنید و سپس کنتاکتهای قطبها را عایق نمایید. حتی در صورت خالی بودن کامل باتری مقداری شارژ در باتری وجود دارد که ممکن است در صورت اتصال کوتاه آزاد گردد.

Licenses

Copyright © 2010-2014 ARM LIMITED

All rights reserved.

Redistribution and use in source and binary forms, with or without modification, are permitted provided that the following conditions are met:

- Redistributions of source code must retain the above copyright notice, this list of conditions and the following disclaimer.
- Redistributions in binary form must reproduce the above copyright notice, this list of conditions and the following disclaimer in the documentation and/or other materials provided with the distribution.
- Neither the name of ARM LIMITED nor the names of its contributors may be used to endorse or promote products derived from this software without specific prior written permission.

THIS SOFTWARE IS PROVIDED BY THE COPYRIGHT HOLDERS AND CONTRIBUTORS "AS IS" AND ANY EXPRESS OR IMPLIED WARRANTIES, INCLUDING, BUT NOT LIMITED TO, THE IMPLIED WARRANTIES OF MERCHANTABILITY AND FITNESS FOR A PARTICULAR PURPOSE ARE DISCLAIMED. IN NO EVENT SHALL THE COPYRIGHT OWNER OR CONTRIBUTORS BE LIABLE FOR ANY DIRECT, INDIRECT, INCIDENTAL, SPECIAL, EXEMPLARY, OR CONSEQUENTIAL DAMAGES (INCLUDING, BUT NOT LIMITED TO, PROCUREMENT OF SUBSTITUTE GOODS OR SERVICES; LOSS OF USE, DATA, OR PROFITS; OR BUSINESS INTERRUPTION) HOWEVER CAUSED AND ON ANY THEORY OF LIABILITY, WHETHER IN CONTRACT, STRICT LIABILITY, OR TORT (INCLUDING NEGLIGENCE OR OTHERWISE) ARISING IN ANY WAY OUT OF THE USE OF THIS SOFTWARE, EVEN IF ADVISED OF THE POSSIBILITY OF SUCH DAMAGE.

Copyright © 2016-2019 STMicroelectronics

Redistribution and use in source and binary forms, with or without modification, are permitted provided that the following conditions are met:

- Redistributions of source code must retain the above copyright notice, this list of conditions and the following disclaimer.
- Redistributions in binary form must reproduce the above copyright notice, this list of conditions and the following disclaimer in the documentation and/or other materials provided with the distribution.

- Neither the name of STMicroelectronics nor the names of its contributors may be used to endorse or promote products derived from this software without specific prior written permission.

THIS SOFTWARE IS PROVIDED BY THE COPYRIGHT HOLDERS AND CONTRIBUTORS "AS IS" AND ANY EXPRESS OR IMPLIED WARRANTIES, INCLUDING, BUT NOT LIMITED TO, THE IMPLIED WARRANTIES OF MERCHANTABILITY AND FITNESS FOR A PARTICULAR PURPOSE ARE DISCLAIMED. IN NO EVENT SHALL THE COPYRIGHT OWNER OR CONTRIBUTORS BE LIABLE FOR ANY DIRECT, INDIRECT, INCIDENTAL, SPECIAL, EXEMPLARY, OR CONSEQUENTIAL DAMAGES (INCLUDING, BUT NOT LIMITED TO, PROCUREMENT OF SUBSTITUTE GOODS OR SERVICES; LOSS OF USE, DATA, OR PROFITS; OR BUSINESS INTERRUPTION) HOWEVER CAUSED AND ON ANY THEORY OF LIABILITY, WHETHER IN CONTRACT, STRICT LIABILITY, OR TORT (INCLUDING NEGLIGENCE OR OTHERWISE) ARISING IN ANY WAY OUT OF THE USE OF THIS SOFTWARE, EVEN IF ADVISED OF THE POSSIBILITY OF SUCH DAMAGE.