



 **BOSCH**

GBH 18V-34 CF Professional

**HEAVY
DUTY**

Robert Bosch Power Tools GmbH
70538 Stuttgart
GERMANY

www.bosch-pt.com

1 609 92A 5JT (2020.10) PS / 129



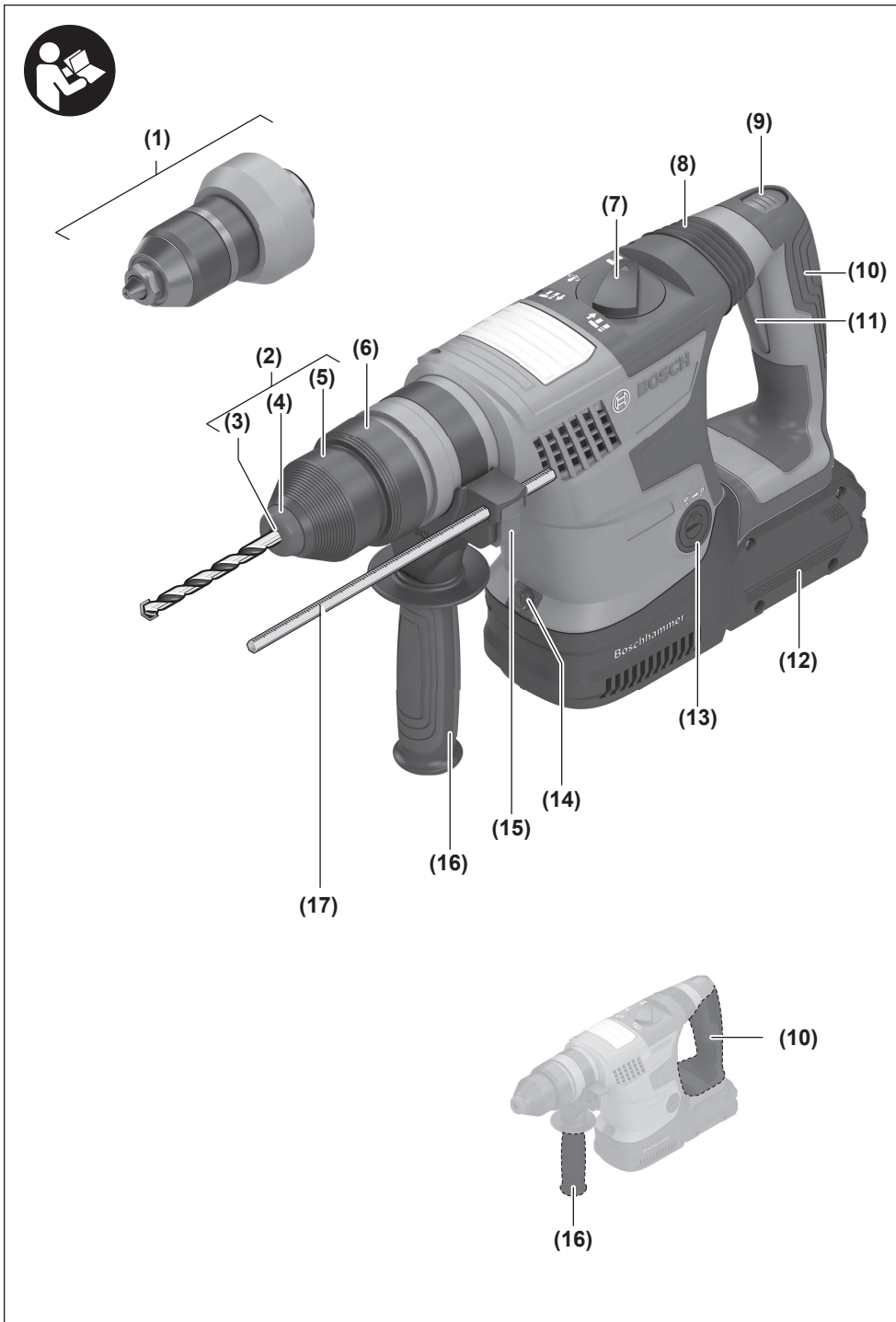
1 609 92A 5JT

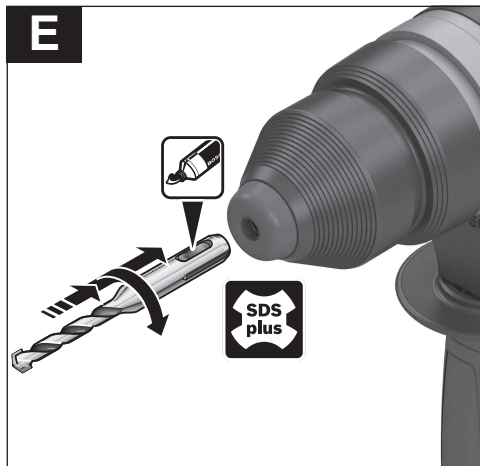
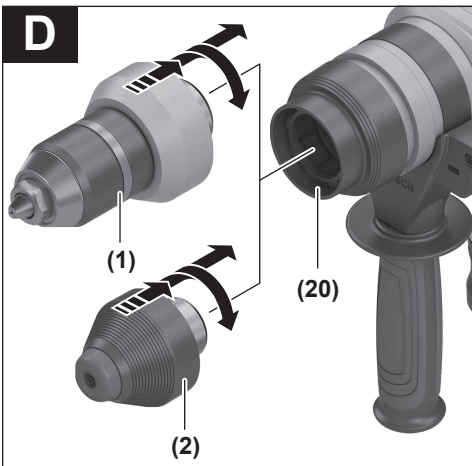
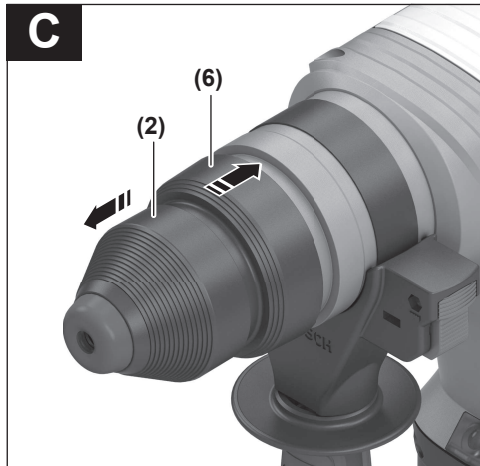
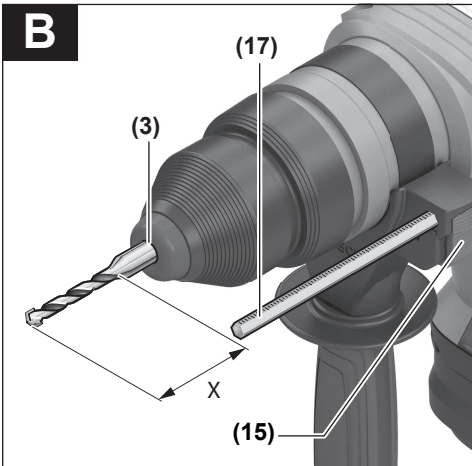
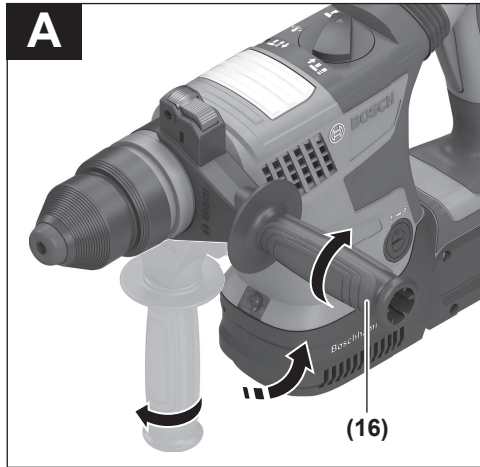
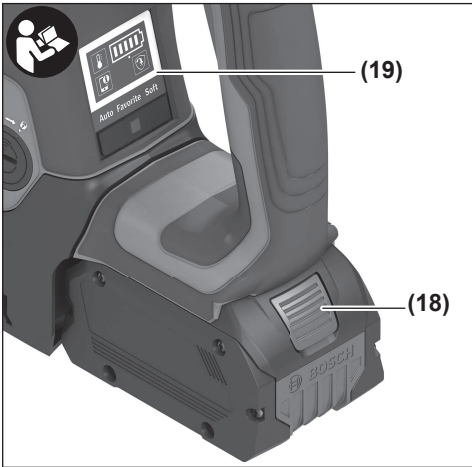


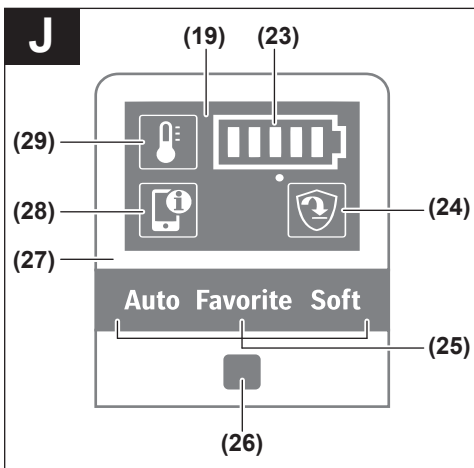
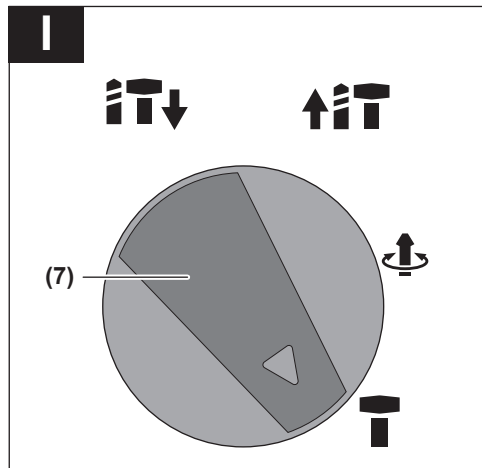
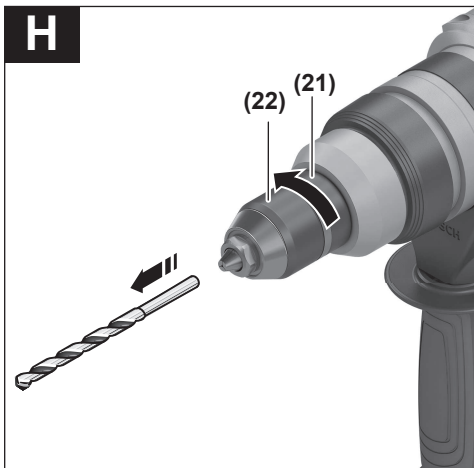
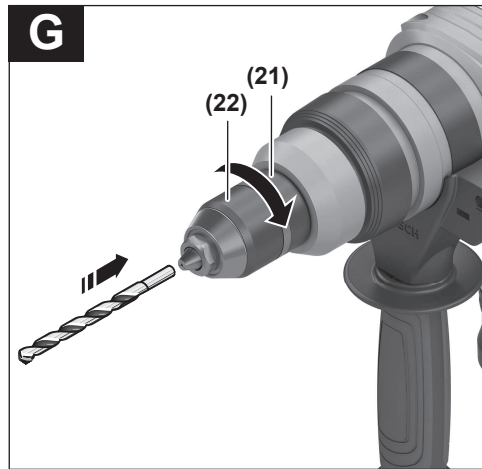
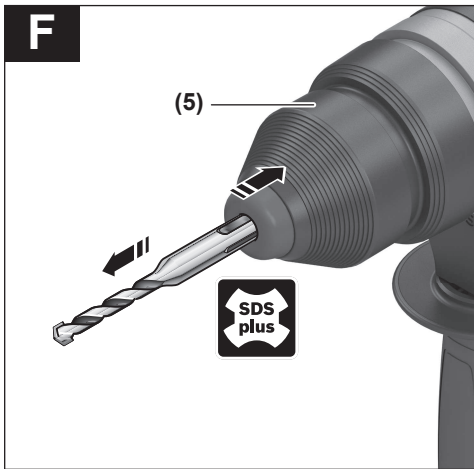
- en Original instructions
- fr Notice originale
- pt Manual original
- es Manual original
- pt Manual de instruções original
- zh 正本使用说明书
- zh 原始使用說明書
- th หนังสือคู่มือการใช้งานฉบับต้นแบบ
- id Petunjuk-Petunjuk untuk Penggunaan Orisinal
- vi Bản gốc hướng dẫn sử dụng
- ar دليل التشغيل الأصلي
- fa دفترچه راهنمای اصلی



English	Page	6
Français	Page	17
Português	Página	27
Español	Página	37
Português do Brasil	Página	48
中文	頁	58
繁體中文	頁	66
ไทย	หน้า	74
Bahasa Indonesia	Halaman	85
Tiếng Việt	Trang	94
عربي	الصفحة	105
فارسی	صفحه	116







English

Safety instructions

General Power Tool Safety Warnings

⚠ WARNING **Read all safety warnings and all instructions.** Failure to follow the warnings and instructions may result in electric shock, fire and/or serious injury.

Save all warnings and instructions for future reference.

The term "power tool" in the warnings refers to your mains-operated (corded) power tool or battery-operated (cordless) power tool.

Work area safety

- ▶ **Keep work area clean and well lit.** Cluttered or dark areas invite accidents.
- ▶ **Do not operate power tools in explosive atmospheres, such as in the presence of flammable liquids, gases or dust.** Power tools create sparks which may ignite the dust or fumes.
- ▶ **Keep children and bystanders away while operating a power tool.** Distractions can cause you to lose control.

Electrical safety

- ▶ **Power tool plugs must match the outlet. Never modify the plug in any way. Do not use any adapter plugs with earthed (grounded) power tools.** Unmodified plugs and matching outlets will reduce risk of electric shock.
- ▶ **Avoid body contact with earthed or grounded surfaces, such as pipes, radiators, ranges and refrigerators.** There is an increased risk of electric shock if your body is earthed or grounded.
- ▶ **Do not expose power tools to rain or wet conditions.** Water entering a power tool will increase the risk of electric shock.
- ▶ **Do not abuse the cord. Never use the cord for carrying, pulling or unplugging the power tool. Keep cord away from heat, oil, sharp edges or moving parts.** Damaged or entangled cords increase the risk of electric shock.
- ▶ **When operating a power tool outdoors, use an extension cord suitable for outdoor use.** Use of a cord suitable for outdoor use reduces the risk of electric shock.
- ▶ **If operating a power tool in a damp location is unavoidable, use a residual current device (RCD) protected supply.** Use of an RCD reduces the risk of electric shock.

Personal safety

- ▶ **Stay alert, watch what you are doing and use common sense when operating a power tool. Do not use a power tool while you are tired or under the influence of drugs, alcohol or medication.** A moment of inattention while operating power tools may result in serious personal injury.

- ▶ **Use personal protective equipment. Always wear eye protection.** Protective equipment such as dust mask, non-skid safety shoes, hard hat, or hearing protection used for appropriate conditions will reduce personal injuries.
- ▶ **Prevent unintentional starting. Ensure the switch is in the off-position before connecting to power source and/or battery pack, picking up or carrying the tool.** Carrying power tools with your finger on the switch or energising power tools that have the switch on invites accidents.
- ▶ **Remove any adjusting key or wrench before turning the power tool on.** A wrench or a key left attached to a rotating part of the power tool may result in personal injury.
- ▶ **Do not overreach. Keep proper footing and balance at all times.** This enables better control of the power tool in unexpected situations.
- ▶ **Dress properly. Do not wear loose clothing or jewellery. Keep your hair, clothing and gloves away from moving parts.** Loose clothes, jewellery or long hair can be caught in moving parts.
- ▶ **If devices are provided for the connection of dust extraction and collection facilities, ensure these are connected and properly used.** Use of dust collection can reduce dust-related hazards.

Power tool use and care

- ▶ **Do not force the power tool. Use the correct power tool for your application.** The correct power tool will do the job better and safer at the rate for which it was designed.
- ▶ **Do not use the power tool if the switch does not turn it on and off.** Any power tool that cannot be controlled with the switch is dangerous and must be repaired.
- ▶ **Disconnect the plug from the power source and/or the battery pack from the power tool before making any adjustments, changing accessories, or storing power tools.** Such preventive safety measures reduce the risk of starting the power tool accidentally.
- ▶ **Store idle power tools out of the reach of children and do not allow persons unfamiliar with the power tool or these instructions to operate the power tool.** Power tools are dangerous in the hands of untrained users.
- ▶ **Maintain power tools. Check for misalignment or binding of moving parts, breakage of parts and any other condition that may affect the power tool's operation. If damaged, have the power tool repaired before use.** Many accidents are caused by poorly maintained power tools.
- ▶ **Keep cutting tools sharp and clean.** Properly maintained cutting tools with sharp cutting edges are less likely to bind and are easier to control.
- ▶ **Use the power tool, accessories and tool bits etc. in accordance with these instructions, taking into account the working conditions and the work to be performed.**

formed. Use of the power tool for operations different from those intended could result in a hazardous situation.

Battery tool use and care

- ▶ **Recharge only with the charger specified by the manufacturer.** A charger that is suitable for one type of battery pack may create a risk of fire when used with another battery pack.
- ▶ **Use power tools only with specifically designated battery packs.** Use of any other battery packs may create a risk of injury and fire.
- ▶ **When battery pack is not in use, keep it away from other metal objects, like paper clips, coins, keys, nails, screws or other small metal objects, that can make a connection from one terminal to another.** Shorting the battery terminals together may cause burns or a fire.
- ▶ **Under abusive conditions, liquid may be ejected from the battery; avoid contact. If contact accidentally occurs, flush with water. If liquid contacts eyes, additionally seek medical help.** Liquid ejected from the battery may cause irritation or burns.

Service

- ▶ **Have your power tool serviced by a qualified repair person using only identical replacement parts.** This will ensure that the safety of the power tool is maintained.

Hammer Safety Warnings

- ▶ **Wear ear protectors.** Exposure to noise can cause hearing loss.
- ▶ **Use auxiliary handle(s), if supplied with the tool.** Loss of control can cause personal injury.
- ▶ **Hold power tool by insulated gripping surfaces, when performing an operation where the cutting accessory may contact hidden wiring.** Cutting accessory contacting a "live" wire may make exposed metal parts of the power tool "live" and could give the operator an electric shock.
- ▶ **Use suitable detectors to determine if there are hidden supply lines or contact the local utility company for assistance.** Contact with electric cables can cause fire and electric shock. Damaging gas lines can lead to explosion. Breaking water pipes causes property damage.
- ▶ **Always wait until the power tool has come to a complete stop before placing it down.** The application tool can jam and cause you to lose control of the power tool.
- ▶ **Secure the workpiece.** A workpiece clamped with clamping devices or in a vice is held more secure than by hand.
- ▶ **In case of damage and improper use of the battery, vapours may be emitted. The battery can set alight or explode.** Ensure the area is well ventilated and seek medical attention should you experience any adverse effects. The vapours may irritate the respiratory system.
- ▶ **Do not open the battery.** There is a risk of short-circuiting.

- ▶ **The battery can be damaged by pointed objects such as nails or screwdrivers or by force applied externally.** An internal short circuit may occur, causing the battery to burn, smoke, explode or overheat.
- ▶ **Only use the battery with products from the manufacturer.** This is the only way in which you can protect the battery against dangerous overload.



Protect the battery against heat, e.g. against continuous intense sunlight, fire, dirt, water and moisture. There is a risk of explosion and short-circuiting.

- ▶ **Hold the power tool firmly with both hands and make sure you have a stable footing.** The power tool can be more securely guided with both hands.
- ▶ **Caution! When using the power tool with Bluetooth®, a fault may occur in other devices and systems, aeroplanes and medical devices (e.g. pacemakers, hearing aids). Also, damage to people and animals in the immediate vicinity cannot be completely excluded. Do not use the power tool with Bluetooth® in the vicinity of medical devices, petrol stations, chemical plants, areas with a potentially explosive atmosphere or in blasting areas. Do not use the power tool with Bluetooth® in aircraft. Avoid using the product near your body for extended periods.**

The Bluetooth® word mark and logos are registered trademarks owned by Bluetooth SIG, Inc. and any use of such marks by Robert Bosch Power Tools GmbH is under license.

Product Description and Specifications



Read all the safety and general instructions.

Failure to observe the safety and general instructions may result in electric shock, fire and/or serious injury.

Please observe the illustrations at the beginning of this operating manual.

Intended Use

The power tool is intended for hammer drilling in concrete, masonry and stone, as well as for light and medium difficulty chiselling work.

Power tools with impact action shut-off or drill chucks for straight shank drill bits are also suitable for drilling without impact in wood, metal, ceramic and plastic.

With the Bluetooth® Low Energy Module GCY 42 inserted, power tool data and settings can be transferred between the power tool and a mobile device by means of Bluetooth® wireless technology.

Product Features

The numbering of the product features refers to the diagram of the power tool on the graphics page.

- (1) Keyless quick-change chuck with integrated impact stop
- (2) SDS plus quick-change chuck
- (3) SDS plus tool holder
- (4) Dust protection cap
- (5) Locking sleeve
- (6) Locking ring for quick-change chuck
- (7) Combi switch for operating modes and clockwise/anticlockwise rotation
- (8) Vibration damping
- (9) Lock-on button for on/off switch
- (10) Handle (insulated gripping surface)
- (11) On/off switch
- (12) Battery^{A)}
- (13) Cover for GCY 42 *Bluetooth*[®] Low Energy Module
- (14) Worklight
- (15) Button for depth stop adjustment
- (16) Auxiliary handle (insulated gripping surface)
- (17) Depth stop
- (18) Battery release button^{A)}
- (19) User interface
- (20) Drill chuck mounting
- (21) Front sleeve of the keyless quick-change chuck
- (22) Retaining ring of the keyless quick-change chuck
- (23) Battery charge indicator (user interface)
- (24) Rapid shut-off indicator (Kickback Control) (user interface)
- (25) Working modes indicator (user interface)
- (26) Button to select the working mode (user interface)
- (27) Power tool status indicator (user interface)
- (28) Smartphone indicator (user interface)
- (29) Temperature indicator (user interface)

A) **Accessories shown or described are not included with the product as standard. You can find the complete selection of accessories in our accessories range.**

Technical Data

Cordless rotary hammer		GBH 18V-34 CF
Article number		3 611 J14 0..
Rated voltage	V=	18
Rated power input	W	750
Impact rate ^{A)}	min ⁻¹	0–2900
Impact energy per stroke according to EPTA-Procedure 05:2016	J	5.8
Rated speed		
– Clockwise	min ⁻¹	0–500
– Anticlockwise	min ⁻¹	0–500

Cordless rotary hammer		GBH 18V-34 CF
Tool holder		SDS plus
Spindle collar diameter	mm	74
Max. drilling diameter:		
– Concrete	mm	32
– Masonry (with hollow core bit)	mm	40–82
– Steel	mm	13
– Wood	mm	40
Weight according to EPTA-Procedure 01:2014 ^{A)}	kg	5.2–6.3
Length	mm	430
Height	mm	250
Recommended ambient temperature during charging	°C	0 to +35
Permitted ambient temperature during operation ^{B)} and during storage	°C	–20 to +50
Compatible rechargeable batteries		GBA 18V... ProCORE18V...
Recommended rechargeable batteries for maximum performance		ProCORE18V... ≥ 5.5 Ah
Recommended battery chargers		GAL 18... GAX 18V... GAL 36...

Data transmission

<i>Bluetooth</i> [®]		<i>Bluetooth</i> [®] 4.2 (Low Energy) ^{C)}
Signal interval	s	8
Max. signal range ^{D)}	m	30

A) Depends on battery in use

B) Limited performance at temperatures <0 °C

C) The mobile terminal devices must be compatible with *Bluetooth*[®] Low Energy devices (version 4.2) and support the Generic Access Profile (GAP).

D) The signal range may vary greatly depending on external conditions, including the receiving device used. The *Bluetooth*[®] range may be significantly weaker inside closed rooms and through metallic barriers (e.g. walls, shelving units, cases, etc.).

Noise/Vibration Information

Noise emission values determined according to **EN 60745-2-6**.

Typically, the A-weighted noise level of the power tool is: Sound pressure level **89** dB(A); sound power level **100** dB(A). Uncertainty K = **3** dB.

Wear hearing protection!

Vibration total values a_h (triax vector sum) and uncertainty K determined according to **EN 60745-2-6**:

Hammer drilling into concrete: $a_h = 11$ m/s², K = **1.5** m/s²,

Chiselling: $a_h = 11$ m/s², K = **2.8** m/s²,

Drilling into metal: $a_h = 2.5$ m/s², K = **1.5** m/s²,

The vibration level given in these instructions has been measured in accordance with a standardised measuring procedure and may be used to compare power tools. It can also be used for a preliminary estimation of exposure to vibration.

The stated vibration level applies to the main applications of the power tool. However, if the power tool is used for different applications, with different application tools or poorly maintained, the vibration level may differ. This can significantly increase the exposure to vibration over the total working period.

To estimate the exposure to vibration accurately, the times when the tool is switched off or when it is running but not actually being used should also be taken into account. This can significantly reduce the exposure to vibration over the total working period.

Implement additional safety measures to protect the operator from the effects of vibration, such as servicing the power tool and application tools, keeping the hands warm, and organising workflows correctly.

Assembly

- ▶ **Before carrying out any work on the power tool (e.g. maintenance, tool change, etc.) as well as during transport and storage, press the lock-on button to lock the on/off switch.** There is risk of injury from unintentionally pressing the on/off switch.

Using the GCY 42 Bluetooth® Low Energy Module

Read the corresponding operating instructions for information about the *Bluetooth*® Low Energy Module **GCY 42**.

Battery Charging

- ▶ **Use only the chargers listed in the technical data.** Only these chargers are matched to the lithium-ion battery of your power tool.

Note: The battery is supplied partially charged. To ensure full battery capacity, fully charge the battery in the charger before using your power tool for the first time.

The lithium-ion battery can be charged at any time without reducing its service life. Interrupting the charging process does not damage the battery.

The lithium-ion battery is protected against deep discharge by the "Electronic Cell Protection (ECP)". When the battery is discharged, the power tool is switched off by means of a protective circuit. The application tool no longer rotates.

- ▶ **Do not continue to press the On/Off switch after the power tool has automatically switched off.** The battery can be damaged.

Follow the instructions on correct disposal.

Removing the battery



The battery (**12**) is equipped with two locking levels to prevent the battery from falling out if the battery release button (**18**) is pressed unintentionally. As long as the bat-

tery is inserted in the power tool, it is held in position by means of a spring.

- To remove the battery (**12**), press the release button (**18**) and pull the battery out of the power tool. **Do not use force to do this.**

Battery charge indicator

The green LEDs on the battery charge indicator indicate the state of charge of the battery. For safety reasons, it is only possible to check the state of charge when the power tool is not in operation.

Press the button for the battery charge indicator  or  to show the state of charge. This is also possible when the battery is removed.

If no LED lights up after pressing the button for the battery charge indicator, then the battery is defective and must be replaced.

Note: The state of charge of the battery is also displayed on the user interface (**19**) Status indications.

Battery model GBA 18V...



LEDs	Capacity
3 × continuous green light	60–100 %
2 × continuous green light	30–60 %
1 × continuous green light	5–30 %
1 × flashing green light	0–5 %

Battery model ProCORE18V...



LEDs	Capacity
5 × continuous green light	80–100 %
4 × continuous green light	60–80 %
3 × continuous green light	40–60 %
2 × continuous green light	20–40 %
1 × continuous green light	5–20 %
1 × flashing green light	0–5 %

Auxiliary handle

- ▶ **Do not operate your power tool without the auxiliary handle (**16**).**

Swivelling the auxiliary handle (see figure A)

You can swivel the auxiliary handle (**16**) to any angle for a safe work posture that minimises fatigue.

- Turn the lower gripping end of the auxiliary handle (**16**) anticlockwise and swivel the auxiliary handle (**16**) into the required position. Then turn the lower gripping end of the auxiliary handle (**16**) clockwise to retighten it.

Make sure that the retaining strap of the auxiliary handle slots into the corresponding groove of the housing.

Setting the drilling depth (see figure B)

You can use the depth stop **(17)** to set the required drilling depth **X**.

- Press the button for depth stop adjustment **(15)** and insert the depth stop into the auxiliary handle **(16)**. The fluting on the depth stop **(17)** must face downwards.
- Push the SDS plus application tool into the SDS plus tool holder **(3)** as far as it will go. Otherwise, the movability of the SDS-plus drilling tool can lead to incorrect adjustment of the drilling depth.
- Pull the depth stop far enough out that the distance between the drill bit tip and the edge of the depth stop corresponds to the required drilling depth **X**.

Selecting drill chucks and tools

For hammer drilling and chiselling, you will need SDS plus tools, which insert into the SDS plus drill chuck.

For drilling without impact in wood, metal, ceramic and plastic as well as for screwdriving, tools without SDS plus are used (e.g. cylindrical shank drill bits). For these tools, you will need the keyless quick-change chuck **(1)** with integrated impact stop.

Note: Using the keyless quick-change chuck **(1)** with integrated impact stop is the only way to ensure that the tools inserted are not damaged.

Removing/inserting the quick-change chuck

Removing the Quick-Change Chuck (see figure C)

- Pull back on the quick-change chuck locking ring **(6)**, hold it in this position and pull the SDS plus quick-change chuck **(2)** or the keyless quick-change chuck **(1)** out from the front.
- Once the quick-change chuck is removed, protect it from dirt.

Inserting the Quick-Change Chuck (see figure D)

- Before insertion, clean the quick-change chuck and lightly grease the shank.
- Wrap your whole hand around the SDS plus quick-change chuck **(2)** or the keyless quick-change chuck **(1)**. Use a turning motion to push the quick-change chuck into the drill chuck holder **(20)** until you hear it click into place.
- The quick-change chuck is automatically locked. Check that it is locked by pulling on the quick-change chuck.

Changing the Tool

The dust protection cap **(4)** largely prevents the penetration of drilling dust into the tool holder during operation. When inserting the tool, make sure that the dust protection cap **(4)** does not become damaged.

- ▶ **Replace a damaged dust protection cap immediately. It is recommended that you have use an after-sales service for this.**

Changing the tool (SDS plus)

Inserting the SDS plus application tool (see figure E)

The SDS-plus drill chuck enables you to change the application tool easily and conveniently without needing to use additional tools.

- Insert the SDS plus quick-change chuck **(2)**.
- Clean and lightly grease the shank of the application tool.
- Insert the application tool into the tool holder while turning it until it locks automatically.
- Check that it is locked by pulling on the tool.

As a requirement of the system, the SDS-plus application tool can move freely. This causes a certain radial run-out at no-load, which has no effect on the accuracy of the drill hole, as the drill bit centres itself upon drilling.

Removing SDS-plus application tools (see figure F)

- Push the locking sleeve **(5)** back and remove the application tool.

Changing the tool (without SDS plus)

Inserting the Application Tool (see figure G)

Note: Application tools that do not have SDS plus must not be used for hammer drilling or chiselling. Tools without SDS plus and their drill chucks are damaged by hammer drilling or chiselling.

- Insert the keyless quick-change chuck **(1)** with integrated impact stop.

Note: Only use the keyless quick-change chuck with integrated impact stop specifically designed for the **GBH 18V-34 CF**. Using this drill chuck is the only way to ensure that the pneumatic impact mechanism of the rotary hammer does not damage the application tools.

- Hold the retaining ring **(22)** of the keyless quick-change chuck firmly in place. Open the tool holder by turning the front sleeve **(21)** until the tool can be inserted. Hold the retaining ring **(22)** in place and firmly tighten the front sleeve **(21)** by turning it in the direction of the arrow until you hear it click into place.
- Check that it is seated securely by pulling on the tool.

Note: If the tool holder was unscrewed all the way, a scraping sound may be heard while retightening the tool holder and it may not fully tighten.

In this case, turn the front sleeve **(21)** in the opposite direction to the arrow by one full turn. This will allow the tool holder to be fully tightened.

- Turn the combi switch **(7)** to the "drilling" position.

Removing the application tool (see figure H)

- Hold the retaining ring **(22)** of the keyless quick-change chuck firmly in place. Open the tool holder by turning the front sleeve **(21)** in the direction of the arrow until the tool can be removed.

Dust/Chip Extraction

The dust from materials such as lead paint, some types of wood, minerals and metal can be harmful to human health.

Touching or breathing in this dust can trigger allergic reactions and/or cause respiratory illnesses in the user or in people in the near vicinity.

Certain dusts, such as oak or beech dust, are classified as carcinogenic, especially in conjunction with wood treatment additives (chromate, wood preservative). Materials containing asbestos may only be machined by specialists.

- Use a dust extraction system that is suitable for the material wherever possible.
- Provide good ventilation at the workplace.
- It is advisable to wear a P2 filter class breathing mask.

The regulations on the material being machined that apply in the country of use must be observed.

- ▶ **Avoid dust accumulation at the workplace.** Dust can easily ignite.

Operation

Start-up

- ▶ Ensure that the cover (13) of the Bluetooth® Low Energy Module GCY 42 is closed during operation. This will prevent dust from getting in.

Inserting the Battery

- ▶ **Use only original Bosch lithium-ion batteries with the voltage stated on the type plate of your power tool.**

Using other batteries can lead to injuries and pose a fire hazard.

- Push the lock-on button (9) to protect the power tool against accidental switching on.
- Slide the charged battery (12) into the power tool until the battery is securely locked.

Setting the Operating Mode (see figure 1)


You can use the combi switch (7) to select the operating mode of the power tool.


Note: Only change the operating mode when the power tool is switched off. Otherwise, the power tool may become damaged.


Note: If you switch to a different operating mode while the on/off switch is locked, the power tool will switch off.

- To change the operating mode, turn the combi switch (7) to the required position until you hear it click into place.

 Position for **hammer drilling** into concrete or stone

 **GBH 18V-34 CF** with keyless quick-change chuck (1): Position for **drilling** without impact in wood, metal, ceramic and plastic (**clockwise**)

 **Anti-clockwise** position for loosening the application tool from the workpiece

 **Vario-Lock** position for changing the chiselling position.

 Position for **chiselling**

Switching On/Off

- If necessary, release the lock-on button (9) for the on/off switch.
- To **switch on** the power tool, press the on/off switch (11).

The lamp lights up when the on/off switch (11) is lightly or fully pressed, meaning that the work area is illuminated in poor lighting conditions.

- To **switch off** the power tool, release the on/off switch (11).

Adjusting the Speed/Impact Rate

You can adjust the speed/impact rate of the power tool when it is on by pressing in the on/off switch (11) to varying extents.

Applying light pressure to the on/off switch (11) results in a low rotational speed/impact rate. Applying increasing pressure to the switch increases the speed/impact rate.

You can also control the speed on the user interface and/or via a smartphone app (see "Selecting the working mode", page 13).

Changing the chiselling position (Vario-Lock)

You can lock the chisel in 16 different positions, so you can select the optimum working position for each task.

- Insert the chisel into the tool holder.
- Turn the combi switch (7) to the "Vario-Lock" position.
- Turn the application tool to the required chisel position.
- Turn the combi switch (7) to the "chiselling" position. With this, the tool holder is locked.

Chiselling with lock function

To chisel for extended periods without pressing the on/off switch (11), lock the on/off switch in "chiselling" operating mode.

- To **lock** the power tool, press the on/off switch (11) down fully whilst simultaneously pressing the lock-on switch (9).
- To switch the lock off, press the lock-on button (9) again.

Note: If you switch to a different operating mode while the on/off switch is locked, the power tool will switch off.

Overload clutch

- ▶ **If the application tool jams or snags, the power transmission to the drill spindle will be interrupted. Always hold the power tool firmly with both hands to withstand the forces this may create and adopt a position with stable footing.**

- **Switch the power tool off immediately and remove the application tool if the power tool becomes blocked. Switching on when the drilling tool is blocked may cause high torque reactions.**

Rapid shut-off (KickBack Control)



The rapid shut-off function (KickBack Control) gives the user greater control over the power tool and offers them better protection than power tools that do not have KickBack Control. If the power tool suddenly and unforeseeably rotates around the drilling axis, it will switch off and the rapid shut-off indicator (24) will light up and the worklight (14) will flash. When rapid shut-off is activated, the status indicator (27) flashes red.

- To **switch the tool back on**, release the on/off switch (11) and then press it again.

Electronic Precision Control (EPC)

EPC assists you when working with impact by ensuring slow start-up of the operating speed for precise working.

Adaptive Speed Control in "Chiselling" Operating Mode



For better control and precise positioning, the power tool starts at a low speed and then quickly increases to the maximum speed.

Adapted Speed Control is started up automatically when the power tool is switched on.

User Interface (see figure J)

The user interface (19) is used to select the working mode and to indicate the status of the power tool.

Status indications

Battery charge indicator (user interface) (23)	Meaning/cause	Solution
Green (2 to 5 bars)	Battery charged	–
Yellow (1 bar)	Battery almost empty	Replace or charge battery soon
Red (1 bar)	Battery empty	Replace or charge battery

Temperature indicator (29)	Meaning/cause	Solution
Yellow	Operating temperature of the battery or the power tool has significantly increased, performance is reduced	Run the power tool at no load and allow it to cool down or replace the overheated battery
Red	Operating temperature of the battery or the power tool has been exceeded, power tool switches itself off as a precautionary measure	Leave the power tool to cool down or replace overheated batteries

Power tool status indicator (27)	Meaning/cause	Solution
Green	Status OK	–
Yellow	Critical temperature has been reached or battery is almost empty	Run the power tool at no load and allow it to cool down, or replace or charge the battery soon
Red	Power tool has overheated or battery is empty	Allow the power tool to cool down, or replace or charge the battery
Red	Lock-on button pressed in "hammer drilling" operating mode	Press the lock-on button again
	Combi-switch activated during operation	Turn the power tool off and on again
	Motor is jammed, battery too weak	Charge the battery or use the recommended battery type
	General error	– Switch the power tool off and on again, or remove the battery and reinsert it If the error persists: – Send the power tool to the after-sales service
Flashing red	Rapid shut-off is triggered	Turn the power tool off and on again

Power tool status indicator (27)	Meaning/cause	Solution
– In combination with the rapid shut-off indicator (24)		
Flashing blue	Power tool is connected to a mobile device or settings are being transferred	–

Smartphone status indicator (28)	Meaning/cause	Solution
Green	Additional information available (e.g. commercial information)	If you are interested in this, read the message on the smartphone
Yellow	Important information available (e.g. temperature warning)	Read the message on the smartphone
Red	Operation-critical information available (e.g. engine stop due to an error in the microcontroller unit)	Read the message on the smartphone immediately

Selecting the working mode

- Press the **(26)** button for selecting the working mode repeatedly until the working mode you require lights up.

Note: In **Favorite** working mode, the functions are configured via the smartphone app, while the functions are preset in **Auto** and **Soft** working modes.

Working mode (25) indicator	Functions
Auto lights up	In Auto working mode, the power tool reaches maximum performance. <ul style="list-style-type: none"> – "Hammer drilling" operating mode: Rapid increase in speed for controlled drilling up to 100 % of the maximum speed – "Chiselling" operating mode: Adaptive Speed Control – Rapid shut-off (KickBack control)
Soft lights up	Soft operating mode is used to machine delicate materials. <ul style="list-style-type: none"> – "Hammer drilling" operating mode: EPC active, slow increase in speed for soft starts up to 80 % of the maximum speed for hammer drilling in sensitive surfaces – "Chiselling" operating mode: Adaptive Speed Control with an even more sensitive setup – Rapid shut-off (KickBack control) with an even more sensitive setup
Favorite lights up	In Favorite working mode, the power tool can be individually configured via a smartphone app. <ul style="list-style-type: none"> – "Hammer drilling" operating mode can be configured in several steps: <ul style="list-style-type: none"> Power via speed Electronic Precision Control (EPC) via start-up speed – "Chiselling" operating mode: Adaptive Speed Control can be switched on and off – Sensitivity of rapid shut-off (KickBack control) until switch-off can be configured

Connectivity functions

In conjunction with the GCY 42 *Bluetooth*® Low Energy Module, the following connectivity functions are available for the power tool:

- Registration and personalisation
- Status check, output of warning messages
- General information and settings
- Management

Read the corresponding operating instructions for information about the *Bluetooth*® Low Energy Module **GCY 42**.

The smartphone indicator **(28)** lights up if the power tool sends information (e.g. a temperature warning) to a mobile device via *Bluetooth*® wireless technology.

Practical Advice

- ▶ **With the *Bluetooth*® Low Energy Module GCY 42, the power tool is equipped with a radio interface. Local operating restrictions, e.g. in aircraft or hospitals, must be observed.**
- ▶ **In areas where the *Bluetooth*® wireless technology is not allowed to be used, the *Bluetooth*® Low Energy Module GCY 42 and the button cell must be removed.**

Note: The cover (13) can only be securely closed if the *Bluetooth*® Low Energy Module GCY 42 and the button cell are situated in the power tool.

- To **deactivate** the *Bluetooth*® Low Energy Module GCY 42, rotate the button cell or place means of insulation between the button cell and *Bluetooth*® Low Energy Module GCY 42.
- Close the cover (13) to prevent dirt from getting in.

Vibration damping



The integrated vibration damping function reduces the generated vibration.

- ▶ **Do not continue to use the power tool if the damping element is damaged.**

Recommendations for Optimal Handling of the Battery

Protect the battery against moisture and water.

Only store the battery within a temperature range of –20 to 50 °C. Do not leave the battery in your car in the summer, for example.

Occasionally clean the ventilation slots on the battery using a soft brush that is clean and dry.

A significantly reduced operating time after charging indicates that the battery has deteriorated and must be replaced.

Follow the instructions on correct disposal.

Maintenance and Service

Maintenance and Cleaning

- ▶ **Remove the battery from the power tool before carrying out work on the power tool (e.g. maintenance, changing tool, etc.). The battery should also be removed for transport and storage.** There is risk of injury from unintentionally pressing the on/off switch.
- ▶ **To ensure safe and efficient operation, always keep the power tool and the ventilation slots clean.**
- ▶ **Replace a damaged dust protection cap immediately. It is recommended that you have use an after-sales service for this.**
- Clean the tool holder (3) after each use.
- Clean the tool holder after each use.

After-Sales Service and Application Service

Our after-sales service responds to your questions concerning maintenance and repair of your product as well as spare parts. You can find explosion drawings and information on spare parts at: www.bosch-pt.com

The Bosch product use advice team will be happy to help you with any questions about our products and their accessories.

In all correspondence and spare parts orders, please always include the 10-digit article number given on the nameplate of the product.

Cambodia

Robert Bosch (Cambodia) Co., Ltd
Unit 8BC, GT Tower, 08th Floor, Street 169,

Czechoslovakia Blvd, Sangkat Veal Vong
Khan 7 Makara, Phnom Penh
VAT TIN: 100 169 511
Tel.: +855 23 900 685
Tel.: +855 23 900 660
www.bosch.com.kh

People's Republic of China China Mainland

Bosch Power Tool (China) Co. Ltd.
Bosch Service Center
567, Bin Kang Road
Bin Kang District
Hangzhou, Zhejiang Province
China 310052
Tel.: (0571) 8887 5566 / 5588
Fax: (0571) 8887 6688 x 5566# / 5588#
E-Mail: bsc.hz@cn.bosch.com
www.bosch-pt.com.cn

HK and Macau Special Administrative Regions

Robert Bosch Co. Ltd.
21st Floor, 625 King's Road
North Point, Hong Kong
Customer Service Hotline: +852 2101 0235
Fax: +852 2590 9762
E-Mail: info@hk.bosch.com
www.bosch-pt.com.hk

India

Bosch Service Center
69, Habibullah Road, (Next to PSBB School), T. Nagar
Chennai-600077
Phone: (044) 64561816
Bosch Service Center
18, Community Center
Phase 1, Mayapuri
New Delhi-110064
Phone: (011) 43166190

Indonesia

PT Robert Bosch
Palma Tower 10th Floor
Jalan RA Kartini II-S Kaveling 6
Pondok Pinang, Kebayoran Lama
Jakarta Selatan 12310
Tel.: (21) 3005-5800
www.bosch-pt.co.id

Malaysia

Robert Bosch Sdn. Bhd.(220975-V) PT/SMY
No. 8A, Jalan 13/6
46200 Petaling Jaya
Selangor
Tel.: (03) 79663194
Toll-Free: 1800 880188
Fax: (03) 79583838
E-Mail: kiathoe.chong@my.bosch.com
www.bosch-pt.com.my

Pakistan

Robert Bosch Middle East FZE – Pakistan Liaison Office
 2nd Floor Plaza # 10, CCA Block, DHA Phase 5
 Lahore, 54810
 Phone: +92(303)4444311
 Email: Faisal.Khan@bosch.com

Philippines

Robert Bosch, Inc.
 28th Floor Fort Legend Towers,
 3rd Avenue corner 31st Street,
 Fort Bonifacio, Global City,
 1634 Taguig City
 Tel.: (632) 8703871
 Fax: (632) 8703870
 www.bosch-pt.com.ph

Singapore

Powerwell Service Centre Ptd Ltd
 Bosch Authorised Service Centre (Power Tools)
 4012 Ang Mo Kio Ave 10, #01-02 TECHplace
 Singapore 569628
 Tel.: 6452 1770
 Fax: 6452 1760
 E-Mail: ask@powerwellsc.com
 www.powerwellsc.com
 www.bosch-pt.com.sg

Thailand

Robert Bosch Ltd.
 FYI Center Tower 1, 5th Floor,
 2525 Rama IV Road, Klongtoei,
 Bangkok 10110
 Tel.: 02 0128888
 Fax: 02 0645802
 www.bosch.co.th

Bosch Service – Training Centre
 La Salle Tower Ground Floor Unit No.2
 10/11 La Salle Moo 16
 Srinakharin Road
 Bangkaew, Bang Plee
 Samutprakarn 10540
 Tel.: 02 7587555
 Fax: 02 7587525

Vietnam

Branch of Bosch Vietnam Co., Ltd in HCMC
 14th floor, Deutsches Haus, 33 Le Duan
 Ben Nghe Ward, District 1, Ho Chi Minh City
 Tel.: (028) 6258 3690
 Fax: (028) 6258 3692 - 6258 3694
 Hotline: (028) 6250 8555
 Email: tuvankhachhang-pt@vn.bosch.com
 www.bosch-pt.com.vn

Bahrain

EA Juffali and Brothers for Technical Equipment Company.
 Kingdom of Bahrain, Al Aker - Block 0624 - Road 2403 -
 Building 0055D
 Phone: +97317704537
 Fax: +973177045257
 Email: h.berjas@ejab.com.sa

Egypt

RBEG-LLC
 22 Kamal Eldin Hussein
 Sheraton Heliopolis
 11799 Cairo
 E-mail: boschegypt.powertools@eg.bosch.com

Iran

Robert Bosch Iran
 3rd Floor, No 3, Maadiran Building
 Aftab St., Khodami St., Vanak Sq.
 Tehran 1994834571
 Phone: +9821- 86092057

Iraq

Sahba Technology Group
 Al Muthana airport road
 Baghdad
 Phone Bagdad: +964 (0) 7 901 930366
 Phone Dubai: +971 (0) 4 422 1898
 Email: duraid@sahbatechnology.com

Jordan

Roots Arabia – Jordan
 Al-Hurriyah Street, Al-Muqabalein
 Amman 11623, Jordan
 P.O. Box: 110068
 Tel. : +962 6 4398990
 E-mail: bosch@rootsjordan.com

Kuwait

Shuwaikh Industrial Area, Block 1, Plot 16, Street 3rd
 P.O. Box 164 – Safat 13002
 Phone: +965 - 2496 88 88
 Fax: +965 - 2481 08 79
 E-mail: josephkr@aaalmutawa.com

Lebanon

Tehini Hana & Co. S.A.R.L.
 P.O. Box 90-449
 Jdeideh 1202 2040
 Dora-Beirut
 Phone: +9611255211
 Email: service-pt@tehini-hana.com

Libya

El Naser for Workshop Tools
 Swanee Road, Alfalah Area
 Tripoli
 Phone: +218 21 4811184

Oman

Malatan Trading & Contracting LLC
 P.O. Box 131, Ruwi, Muscat
 Postal Code: 112, Sultanate of Oman
 Phone: +968 2479 4035/4089/4901
 Mob: +968-91315465
 Fax: +968 2479 4058
 E-Mail: sudhirkumar@malatan.net

Qatar

International Construction Solutions W L L
 P. O. Box 51, Doha
 Phone: +974 40065458

Fax: +974 4453 8585
Email: csd@icsdoha.com

Saudi Arabia

Juffali Technical Equipment Co. (JTECO)
P.O.Box: 1049 – Jeddah 21431 – KSA
Jeddah: 00966 (0) 12 692 0770 – Ext 433
Riyadh: 00966 (0) 11 409 3976 – Ext-30/34/39
Dammam: 00966 (0) 13 833 9565
E-mail: M.Zreik@eajb.com.sa

Syria

Dallal Establishment for Power Tools
Damascus. Baramkeh street - Ibn Amer street,
Phone: +963112241006 or 009631122414009
Mobile: 00963991141005
Email: rita.dallal@hotmail.com

United Arab Emirates

Central Motors & Equipment,
P.O. Box 26255, Dubai
Dubai: 00971 (0) 4 3090920/3090930
Abu Dhabi: 00971 (0) 2 4017745
Sharjah: 00971 (0) 6 5932777
Al Ain: 00971 (0) 3 7157419
E-Mail: Mallappa.Madari@centralsmotors.ae

Yemen

Abu Alrejal Trading Corporation
P.O. Box : 17024 , Zubeiry St.
Sana'a, Yemen
Tel: +967-1-20 20 10
Fax: +967-1-47 19 17
E-mail: tech-tools@abualrejal.com/yahya@abualrejal.com

Ethiopia

Forever plc
Kebele 2,754, BP 4806,
Addis Ababa
Phone: +251 111 560 600
Email: foreverplc@ethionet.et

Ghana

Robert Bosch Ghana Limited
21 Kofi Annan Road Airport Residential Area Accra
Tel. +233 (0)3027 94616

Kenya

Robert Bosch East Africa Ltd
Mpaka Road P.O. Box 856
00606 Nairobi

Nigeria

Robert Bosch Nigeria Ltd.
52-54 Isaac John Street P.O. Box
GRA Ikeja – Lagos

Tanzania

Diesel & Autoelectric Service Ltd.
117 Nyerere Rd., P.O. Box 70839
Vingunguti 12109, Dar Es Salaam
Phone: +255 222 861 793/794

Republic of South Africa

Customer service

Hotline: (011) 6519600

Gauteng – BSC Service Centre

35 Roper Street, New Centre
Johannesburg
Tel.: (011) 4939375
Fax: (011) 4930126
E-Mail: bsctools@icon.co.za

KZN – BSC Service Centre

Unit E, Almar Centre
143 Crompton Street
Pinetown
Tel.: (031) 7012120
Fax: (031) 7012446
E-Mail: bsc.dur@za.bosch.com

Western Cape – BSC Service Centre

Democracy Way, Prosperity Park
Milnerton
Tel.: (021) 5512577
Fax: (021) 5513223
E-Mail: bsc@zsd.co.za

Bosch Headquarters

Midrand, Gauteng
Tel.: (011) 6519600
Fax: (011) 6519880
E-Mail: rbsa-hq.pts@za.bosch.com

Transport

The contained lithium-ion batteries are subject to the Dangerous Goods Legislation requirements. The batteries are suitable for road-transport by the user without further restrictions.

When shipping by third parties (e.g. by air transport or forwarding agency), special requirements on packaging and labelling must be observed. For preparation of the item being shipped, consulting an expert for hazardous material is required.

Dispatch battery packs only when the housing is undamaged. Tape or mask off open contacts and pack up the battery in such a manner that it cannot move around in the packaging. Please also observe the possibility of more detailed national regulations.

Disposal



Power tools, rechargeable batteries, accessories and packaging should be sorted for environmental-friendly recycling.



Do not dispose of power tools and batteries/rechargeable batteries into household waste!

Battery packs/batteries:

Li-ion:

Please observe the notes in the section on transport (see "Transport", page 16).

Français

Consignes de sécurité

Avertissements de sécurité généraux pour l'outil

AVERTISSEMENT Lire tous les avertissements de sécurité et toutes les instructions.

Ne pas suivre les avertissements et instructions peut donner lieu à un choc électrique, un incendie et/ou une blessure sérieuse.

Conservé tous les avertissements et toutes les instructions pour pouvoir s'y reporter ultérieurement.

Le terme «outil» dans les avertissements fait référence à votre outil électrique alimenté par le secteur (avec cordon d'alimentation) ou votre outil fonctionnant sur batterie (sans cordon d'alimentation).

Sécurité de la zone de travail

► Conserver la zone de travail propre et bien éclairée.

Les zones en désordre ou sombres sont propices aux accidents.

► Ne pas faire fonctionner les outils électriques en atmosphère explosive, par exemple en présence de liquides inflammables, de gaz ou de poussières.

Les outils électriques produisent des étincelles qui peuvent enflammer les poussières ou les fumées.

► Maintenir les enfants et les personnes présentes à l'écart pendant l'utilisation de l'outil.

Les distractions peuvent vous faire perdre le contrôle de l'outil.

Sécurité électrique

► Il faut que les fiches de l'outil électrique soient adaptées au socle. Ne jamais modifier la fiche de quelque façon que ce soit. Ne pas utiliser d'adaptateurs avec des outils à branchement de terre.

Des fiches non modifiées et des socles adaptés réduiront le risque de choc électrique.

► Éviter tout contact du corps avec des surfaces reliées à la terre telles que les tuyaux, les radiateurs, les cuisinières et les réfrigérateurs.

Il existe un risque accru de choc électrique si votre corps est relié à la terre.

► Ne pas exposer les outils à la pluie ou à des conditions humides.

La pénétration d'eau à l'intérieur d'un outil augmentera le risque de choc électrique.

► Ne pas maltraiter le cordon. Ne jamais utiliser le cordon pour porter, tirer ou débrancher l'outil. Maintenir le cordon à l'écart de la chaleur, du lubrifiant, des arêtes ou des parties en mouvement.

Des cordons endommagés ou emmêlés augmentent le risque de choc électrique.

► Lorsqu'on utilise un outil à l'extérieur, utiliser un prolongateur adapté à l'utilisation extérieure.

L'utilisation d'un cordon adapté à l'utilisation extérieure réduit le risque de choc électrique.

► Si l'usage d'un outil dans un emplacement humide est inévitable, utiliser une alimentation protégée par un

dispositif à courant différentiel résiduel (RCD).

L'usage d'un RCD réduit le risque de choc électrique.

Sécurité des personnes

► Rester vigilant, regarder ce que vous êtes en train de faire et faire preuve de bon sens dans votre utilisation de l'outil. Ne pas utiliser un outil lorsque vous êtes fatigué ou sous l'emprise de drogues, d'alcool ou de médicaments.

Un moment d'inattention en cours d'utilisation d'un outil peut entraîner des blessures graves des personnes.

► Utiliser un équipement de sécurité. Toujours porter une protection pour les yeux.

Les équipements de sécurité tels que les masques contre les poussières, les chaussures de sécurité antidérapantes, les casques ou les protections acoustiques utilisés pour les conditions appropriées réduiront les blessures de personnes.

► Éviter tout démarrage intempestif. S'assurer que l'interrupteur est en position arrêté avant de brancher l'outil au secteur et/ou au bloc de batteries, de le ramasser ou de le porter.

Porter les outils en ayant le doigt sur l'interrupteur ou brancher des outils dont l'interrupteur est en position marche est source d'accidents.

► Retirer toute clé de réglage avant de mettre l'outil en marche.

Une clé laissée fixée sur une partie tournante de l'outil peut donner lieu à des blessures de personnes.

► Ne pas se précipiter. Garder une position et un équilibre adaptés à tout moment.

Cela permet un meilleur contrôle de l'outil dans des situations inattendues.

► S'habiller de manière adaptée. Ne pas porter de vêtements amples ou de bijoux. Garder les cheveux, les vêtements et les gants à distance des parties en mouvement.

Des vêtements amples, des bijoux ou les cheveux longs peuvent être pris dans des parties en mouvement.

► Si des dispositifs sont fournis pour le raccordement d'équipements pour l'extraction et la récupération des poussières, s'assurer qu'ils sont connectés et correctement utilisés.

Utiliser des collecteurs de poussière peut réduire les risques dus aux poussières.

Utilisation et entretien de l'outil

► Ne pas forcer l'outil. Utiliser l'outil adapté à votre application.

L'outil adapté réalisera mieux le travail et de manière plus sûre au régime pour lequel il a été construit.

► Ne pas utiliser l'outil si l'interrupteur ne permet pas de passer de l'état de marche à arrêt et vice versa.

Tout outil qui ne peut pas être commandé par l'interrupteur est dangereux et il faut le réparer.

► Débrancher la fiche de la source d'alimentation en courant et/ou le bloc de batteries de l'outil avant tout réglage, changement d'accessoires ou avant de ranger l'outil.

De telles mesures de sécurité préventives réduisent le risque de démarrage accidentel de l'outil.

► Conserver les outils à l'arrêt hors de la portée des enfants et ne pas permettre à des personnes ne connaissant pas l'outil ou les présentes instructions de le faire fonctionner.

Les outils sont dangereux entre les mains d'utilisateurs novices.

- ▶ **Observer la maintenance de l'outil. Vérifier qu'il n'y a pas de mauvais alignement ou de blocage des parties mobiles, des pièces cassées ou toute autre condition pouvant affecter le fonctionnement de l'outil. En cas de dommages, faire réparer l'outil avant de l'utiliser.** De nombreux accidents sont dus à des outils mal entretenus.
- ▶ **Garder affûtés et propres les outils permettant de couper.** Des outils destinés à couper correctement entretenus avec des pièces coupantes tranchantes sont moins susceptibles de bloquer et sont plus faciles à contrôler.
- ▶ **Utiliser l'outil, les accessoires et les lames etc., conformément à ces instructions, en tenant compte des conditions de travail et du travail à réaliser.** L'utilisation de l'outil pour des opérations différentes de celles prévues pourrait donner lieu à des situations dangereuses.

Utilisation des outils fonctionnant sur batteries et précautions d'emploi

- ▶ **Ne recharger qu'avec le chargeur spécifié par le fabricant.** Un chargeur qui est adapté à un type de bloc de batteries peut créer un risque de feu lorsqu'il est utilisé avec un autre type de bloc de batteries.
- ▶ **N'utiliser les outils qu'avec des blocs de batteries spécifiquement désignés.** L'utilisation de tout autre bloc de batteries peut créer un risque de blessure et de feu.
- ▶ **Lorsqu'un bloc de batteries n'est pas utilisé, le maintenir à l'écart de tout autre objet métallique, par exemple trombones, pièces de monnaie, clés, clous, vis ou autres objets de petite taille qui peuvent donner lieu à une connexion d'une borne à une autre.** Le court-circuitage des bornes d'une batterie entre elles peut causer des brûlures ou un feu.
- ▶ **Dans de mauvaises conditions, du liquide peut être éjecté de la batterie; éviter tout contact. En cas de contact accidentel, nettoyer à l'eau. Si le liquide entre en contact avec les yeux, rechercher en plus une aide médicale.** Le liquide éjecté des batteries peut causer des irritations ou des brûlures.

Maintenance et entretien

- ▶ **Faire entretenir l'outil par un réparateur qualifié utilisant uniquement des pièces de rechange identiques.** Cela assurera que la sécurité de l'outil est maintenue.

Avertissements de sécurité pour les marteaux

- ▶ **Porter des protections auditives.** L'exposition aux bruits peut provoquer une perte de l'audition.
- ▶ **Utiliser la(les) poignée(s) auxiliaire(s) fournie(s) avec l'outil.** La perte de contrôle peut provoquer des blessures.
- ▶ **Tenir l'outil par les surfaces de préhension isolées, lors de la réalisation d'une opération au cours de laquelle l'organe de coupe peut entrer en contact avec un câblage non apparent.** Le contact avec un fil "sous tension" peut également mettre "sous tension" les parties

métalliques exposées de l'outil électrique et provoquer un choc électrique sur l'opérateur.

- ▶ **Utilisez un détecteur approprié pour vérifier s'il n'y a pas de conduites cachées ou contactez votre société de distribution d'eau locale.** Tout contact avec des câbles électriques peut provoquer un incendie ou un choc électrique. Tout endommagement d'une conduite de gaz peut provoquer une explosion. La perforation d'une conduite d'eau provoque des dégâts matériels.
 - ▶ **Avant de poser l'outil électroportatif, attendez que celui-ci soit complètement à l'arrêt.** L'outil risque de se coincer, ce qui entraînerait une perte de contrôle de l'outil électroportatif.
 - ▶ **Bloquez la pièce à travailler.** Une pièce à travailler serrée par des dispositifs de serrage appropriés ou dans un étau est fixée de manière plus sûre que quand elle est tenue avec une main.
 - ▶ **Si l'accu est endommagé ou utilisé de manière non conforme, des vapeurs peuvent s'échapper. L'accu peut brûler ou exploser.** Ventilez le local et consultez un médecin en cas de malaise. Les vapeurs peuvent entraîner des irritations des voies respiratoires.
 - ▶ **N'ouvrez pas l'accu.** Risque de court-circuit.
 - ▶ **Les objets pointus comme un clou ou un tournevis et le fait d'exercer une force extérieure sur le boîtier risque d'endommager l'accu.** Il peut en résulter un court-circuit interne et l'accu risque de s'enflammer, de dégager des fumées, d'exploser ou de surchauffer.
 - ▶ **N'utilisez l'accu qu'avec des produits du fabricant.** Tout risque de surcharge dangereuse sera alors exclu.
- 

Conservez la batterie à l'abri de la chaleur, en la protégeant p. ex. de l'ensoleillement direct, du feu, de la saleté, de l'eau et de l'humidité. Il existe un risque d'explosion et de courts-circuits.
- ▶ **Lors du travail, tenez fermement l'outil électroportatif des deux mains et veillez à toujours garder une position de travail stable.** Avec les deux mains, l'outil électroportatif est guidé en toute sécurité.
 - ▶ **Attention ! En cas d'utilisation de l'outil électroportatif en mode *Bluetooth*, les ondes émises risquent de perturber le fonctionnement de certains appareils et installations ainsi que le fonctionnement des avions et des appareils médicaux (par ex. stimulateurs cardiaques, prothèses auditives). Les ondes émises peuvent aussi avoir un effet nocif sur les personnes et les animaux qui se trouvent à proximité immédiate de l'outil. N'utilisez pas l'outil électroportatif en mesure en mode *Bluetooth* à proximité d'appareils médicaux, de stations-service, d'usines chimiques et lorsque vous vous trouvez dans des zones à risque d'explosion ou dans des zones de dynamitage. N'utilisez pas l'outil électroportatif en mode *Bluetooth* dans des avions. Évitez une utilisation prolongée de l'outil très près du corps.**

Le nom de marque Bluetooth® et le logo associé sont des marques déposées de la Bluetooth SIG, Inc. Toute utilisation de cette marque/de ce logo par la société Robert Bosch Power Tools GmbH s'effectue sous licence.

Description des prestations et du produit



Lisez attentivement toutes les instructions et consignes de sécurité. Le non-respect des instructions et consignes de sécurité peut provoquer un choc électrique, un incendie et/ou entraîner de graves blessures.

Référez-vous aux illustrations qui se trouvent à l'avant de la notice d'utilisation.

Utilisation conforme

Cet outil électroportatif est destiné aux travaux de perforation dans le béton, la brique et la pierre naturelle ainsi qu'aux travaux de burinage légers et moyennement exigeants. Les outils électroportatifs avec stop de frappe ou mandrin pour forets à queue cylindrique peuvent aussi être utilisés pour percer sans percussion dans le bois, le métal, la céramique et les plastiques.

En cas d'utilisation d'un module Bluetooth® Low Energy GCY 42, les données et les réglages de l'outil électroportatif peuvent être transmis à un périphérique mobile par voie radio au moyen de la technologie Bluetooth®.

Éléments constitutifs

La numérotation des éléments de l'appareil se réfère à la représentation de l'outil électroportatif sur la page graphique.

- (1) Mandrin interchangeable à serrage rapide avec stop de frappe
- (2) Mandrin interchangeable SDS-plus
- (3) Porte-outil SDS-plus
- (4) Capuchon anti-poussière
- (5) Bague de verrouillage
- (6) Bague de verrouillage du mandrin interchangeable
- (7) Sélecteur combiné pour modes de fonctionnement et réversibilité droite/gauche
- (8) Dispositif d'amortissement des vibrations
- (9) Bouton de blocage de l'interrupteur Marche/Arrêt
- (10) Poignée (surface de préhension isolée)
- (11) Interrupteur Marche/Arrêt
- (12) Accu^{A)}
- (13) Cache du module Bluetooth® Low Energy GCY 42
- (14) Éclairage LED
- (15) Bouton de réglage de butée de profondeur
- (16) Poignée supplémentaire (surface de préhension isolante)
- (17) Butée de profondeur
- (18) Bouton de déverrouillage d'accu^{A)}

- (19) Écran de contrôle
- (20) Fixation du mandrin de perçage
- (21) Douille avant du mandrin interchangeable à serrage rapide
- (22) Bague de maintien du mandrin interchangeable à serrage rapide
- (23) Indicateur d'état de charge de l'accu (écran de contrôle)
- (24) Affichage arrêt rapide (Kickback Control) (écran de contrôle)
- (25) Affichage modes de travail (écran de contrôle)
- (26) Touche de sélection de mode de travail (écran de contrôle)
- (27) Affichage État de l'outil électroportatif (écran de contrôle)
- (28) Affichage smartphone (écran de contrôle)
- (29) Affichage de température (écran de contrôle)

A) **Les accessoires décrits ou illustrés ne sont pas tous compris dans la fourniture. Vous trouverez les accessoires complets dans notre gamme d'accessoires.**

Caractéristiques techniques

Perforeur sans-fil	GBH 18V-34 CF	
Référence		3 611 J14 0..
Tension nominale	V=	18
Puissance absorbée nominale	W	750
Fréquence de frappe ^{A)}	min ⁻¹	0-2 900
Force de frappe selon EPTA-Procédure 05:2016	J	5,8
Régime nominal		
- Rotation droite	tr/min	0-500
- Rotation gauche	tr/min	0-500
Porte-outil		SDS-plus
Diamètre du collet de broche	mm	74
Diamètre de perçage maxi :		
- Béton	mm	32
- Maçonnerie (avec scie-trépan)	mm	40-82
- Acier	mm	13
- Bois	mm	40
Poids selon EPTA-Procédure 01:2014 ^{A)}	kg	5,2-6,3
Longueur	mm	430
Hauteur	mm	250
Températures ambiantes recommandées pour la charge	°C	0 ... +35
Températures ambiantes autorisées pendant l'utilisation ^{B)} et pour le stockage	°C	-20 ... +50

Perforateur sans-fil		GBH 18V-34 CF
Accus compatibles		GBA 18V... ProCORE18V...
Accus recommandés pour des performances maximales		ProCORE18V... ≥ 5,5 Ah
Chargeurs recommandés		GAL 18... GAX 18V... GAL 36...
Transmission de données		
Bluetooth®		Bluetooth® 4.2 (Low Energy) ^(C)
Rapport signal/bruit	s	8
Portée maximale du signal ^(D)	m	30

A) Dépend de l'accu utilisé

B) Performances réduites à des températures <0 °C

C) Les périphériques mobiles (smartphones, tablettes) doivent être compatibles avec la technologie Bluetooth® Low Energy (version 4.2) et prendre en charge le profil GAP (Generic Access Profile).

D) La portée peut varier sensiblement selon les conditions extérieures et le type de périphérique mobile utilisé. Dans une pièce fermée et à travers des barrières métalliques (par exemple, parois murales, étagères, coffres, etc.), la portée du Bluetooth® peut se trouver fortement réduite.

Informations sur le niveau sonore/les vibrations

Valeurs d'émissions sonores déterminées conformément à **EN 60745-2-6**.

Le niveau sonore en dB(A) typique de l'outil électroportatif est de : niveau de pression acoustique **89 dB(A)** ; niveau de puissance acoustique **100 dB(A)**. Incertitude K = **3 dB**.

Portez un casque antibruit !

Valeurs globales de vibration a_h (somme vectorielle sur les trois axes) et incertitude K conformément à **EN 60745-2-6** :

Perforation dans le béton : $a_h = 11 \text{ m/s}^2$, K = **1,5 m/s²**,

Burinage : $a_h = 11 \text{ m/s}^2$, K = **2,8 m/s²**,

Perçage dans le métal : $a_h = 2,5 \text{ m/s}^2$, K = **1,5 m/s²**,

Le niveau de vibration indiqué dans cette notice d'utilisation a été mesuré à l'aide d'un procédé de mesure normalisé et peut être utilisé pour effectuer une comparaison entre outils électroportatifs. Il est également approprié pour une estimation préliminaire de la charge vibratoire.

Le niveau de vibration s'applique pour les utilisations principales de l'outil électroportatif. En cas d'utilisation de l'outil électroportatif pour d'autres applications, avec d'autres accessoires ou bien en cas d'entretien non approprié, le niveau sonore peut être différent. Il peut en résulter une nette augmentation de la charge vibratoire pendant toute la durée de travail.

Pour une estimation précise de la charge vibratoire, il est recommandé de prendre aussi en considération les périodes pendant lesquelles l'appareil est éteint ou en fonctionnement, mais pas vraiment utilisé. Ceci peut réduire considérablement la charge vibratoire pendant toute la durée de travail.

Prévoyez des mesures de protection supplémentaires permettant de protéger l'utilisateur de l'effet des vibrations, par exemple : maintenance de l'outil électroportatif et des accessoires de travail, maintien des mains au chaud, organisation des procédures de travail.

Montage

► **Actionnez le bouton de blocage de l'interrupteur Marche/Arrêt avant d'effectuer des travaux sur l'outil électroportatif (p. ex. travaux d'entretien, changement d'accessoire, etc.) et avant de le transporter ou de le ranger.** Il y a sinon risque de blessure si vous appuyez par mégarde sur l'interrupteur Marche/Arrêt.

Mise en place du module Bluetooth® Low Energy GCY 42

Pour plus d'informations, veuillez lire la notice d'utilisation du module Bluetooth® Low Energy **GCY 42**.

Recharge de l'accu

► **N'utilisez que les chargeurs indiqués dans les Caractéristiques techniques.** Seuls ces chargeurs sont adaptés à l'accu Lithium-Ion de votre outil électroportatif.

Remarque : L'accu est fourni partiellement chargé. Pour obtenir les performances maximales, chargez l'accu jusqu'à sa pleine capacité avant la première utilisation.

L'accu Lithium-Ion peut être rechargé à tout moment, sans risque de réduire sa durée de vie. Le fait d'interrompre le processus de charge n'endommage pas l'accu.

L'accu Lithium-Ion est protégé contre une décharge complète par « Electronic Cell Protection (ECP) » (l'électronique de protection des cellules). Lorsque l'accu est déchargé, l'outil électroportatif s'arrête grâce à un dispositif d'arrêt de protection : l'accessoire de travail ne tourne plus.

► **Après l'arrêt automatique de l'outil électroportatif, n'appuyez plus sur l'interrupteur Marche/Arrêt.** L'accu pourrait être endommagé.

Respectez les indications concernant l'élimination.



Retrait de l'accu

L'accu (**12**) dispose d'un double verrouillage permettant d'éviter qu'il tombe si vous appuyez par mégarde sur le bouton de déverrouillage d'accu (**18**). Tant que l'accu est en place dans l'outil électroportatif, un ressort le maintient en position.

– Pour retirer l'accu (**12**), appuyez sur la touche de déverrouillage (**18**) et dégagez l'accu de l'outil électroportatif. **Ne forcez pas.**

Indicateur de niveau de charge de l'accu

Les LED vertes de l'indicateur d'état de charge indiquent le niveau de charge de la batterie. Pour des raisons de sécurité, il n'est possible d'afficher l'état de charge que quand l'outil électroportatif est à l'arrêt.

Pour afficher le niveau de charge, appuyez sur le bouton de l'indicateur de niveau de charge  ou . L'affichage du ni-

veau de charge est également possible après retrait de l'accu.

Si aucune LED ne s'allume après avoir appuyé sur le bouton de l'indicateur de niveau de charge, la batterie est défectueuse et doit être remplacée.

Remarque : Le niveau de charge de l'accu est également affiché sur l'écran de contrôle (19) Affichages d'état.

Batterie de type GBA 18V...



LED	Capacité
3 LED allumées en vert	60–100 %
2 LED allumées en vert	30–60 %
1 LED allumée en vert	5–30 %
Clignotement en vert d'1 LED	0–5 %

Batterie de type ProCORE18V...



LED	Capacité
5 LED allumées en vert	80–100 %
4 LED allumées en vert	60–80 %
3 LED allumées en vert	40–60 %
2 LED allumées en vert	20–40 %
1 LED allumée en vert	5–20 %
Clignotement en vert d'1 LED	0–5 %

Poignée supplémentaire

- **N'utilisez pas l'outil électroportatif sans la poignée supplémentaire (16).**

Pivotement de la poignée supplémentaire (voir figure A)

La poignée supplémentaire (16) peut être orientée dans n'importe quelle position, pour obtenir une position de travail sûre et peu fatigante.

- Tournez la poignée supplémentaire (16) dans le sens antihoraire et orientez la poignée supplémentaire (16) dans la position souhaitée. Resserrez ensuite la poignée supplémentaire (16) en la tournant dans le sens horaire. Veillez à ce que le collier de serrage de la poignée supplémentaire se trouve bien dans la rainure du carter prévue à cet effet.

Réglage de la profondeur de perçage (voir figure B)

La butée de profondeur (17) permet de régler la profondeur de perçage X désirée.

- Appuyez sur le bouton de réglage de butée de profondeur (15) et insérez la butée de profondeur dans la poignée supplémentaire (16).

Le striage de la butée de profondeur (17) doit être orienté vers le bas.

- Poussez à fond l'accessoire de travail SDS plus dans le porte-outil SDS plus (3). Si l'accessoire SDS plus n'est pas inséré à fond, le réglage de la profondeur de perçage risque d'être faussé.
- Déplacez la butée de profondeur jusqu'à ce que l'écart entre la pointe du foret et la pointe de la butée de profondeur corresponde à la profondeur de perçage X souhaitée.

Choix du mandrin et des accessoires

Pour les travaux de perforation et de burinage, il est nécessaire d'utiliser des accessoires SDS plus et le mandrin SDS plus.

Pour les travaux de perçage sans percussion dans le bois, le métal, la céramique ou les plastiques, ainsi que pour les visages, il convient d'utiliser des accessoires sans système SDS plus (p. ex. forets à queue cylindrique). Pour fixer ces accessoires, il vous faut utiliser le mandrin interchangeable à serrage rapide (1) avec stop de frappe intégré.

Remarque : Avec tout autre mandrin que le mandrin interchangeable à serrage rapide (1) avec stop de frappe intégré, les accessoires utilisés risquent d'être endommagés.

Retrait/mise en place du mandrin interchangeable

Retrait du mandrin interchangeable (voir figure C)

- Tirez fermement la bague de verrouillage du mandrin interchangeable (6) vers l'arrière, maintenez-la dans cette position et retirez le mandrin interchangeable SDS plus (2) ou le mandrin interchangeable à serrage rapide (1) vers l'avant.
- Après avoir extrait le mandrin interchangeable, protégez-le des salissures.

Mise en place du mandrin interchangeable (voir figure D)

- Avant sa mise en place, nettoyez le mandrin interchangeable et graissez légèrement son extrémité.
- Saisissez le mandrin interchangeables SDS plus (2) ou le mandrin interchangeable à serrage rapide (1) à pleine main. Engagez le mandrin interchangeable dans le mécanisme de fixation (20) en opérant un léger mouvement de rotation, jusqu'à ce qu'il s'enclenche de manière audible.
- Le mandrin interchangeable se verrouille automatiquement. Vérifiez que le mandrin interchangeable est correctement verrouillé en tirant dessus.

Changement d'accessoire

Le capuchon anti-poussière (4) empêche dans une large mesure la poussière de pénétrer dans le porte-outil pendant l'utilisation de l'outil électroportatif. Lors du montage de l'accessoire de travail, veillez à ne pas endommager le capuchon anti-poussière (4).

- **Remplacez immédiatement le capuchon anti-poussière s'il est endommagé. Il est recommandé de faire**

effectuer ce travail dans un centre de service après-vente.

Changement d'accessoire (SDS plus)

Mise en place d'un accessoire de travail SDS-plus (voir figure E)

Le mandrin SDS-plus permet de remplacer l'accessoire de travail facilement et confortablement sans avoir à utiliser de clé supplémentaire.

- Insérez le mandrin interchangeable SDS plus (2).
- Nettoyez l'extrémité de l'accessoire, et graissez-la légèrement.
- Introduisez l'accessoire de travail dans le porte-outil en le tournant jusqu'à ce qu'il se verrouille automatiquement.
- Tirez sur l'accessoire pour vérifier qu'il est bien bloqué.

Avec ce système de fixation, l'accessoire de travail SDS-plus dispose d'une certaine mobilité. Il en résulte lors de la rotation à vide une excentricité qui n'a cependant aucun effet sur l'exactitude du perçage puisque le foret se centre automatiquement pendant le perçage.

Démontage d'un accessoire de travail SDS-plus (voir figure F)

- Poussez la bague de verrouillage (5) vers l'arrière et sortez l'accessoire de travail.

Changement d'accessoire (sans SDS plus)

Mise en place d'un accessoire de travail (voir figure G)

Remarque : N'utilisez pas d'accessoires non SDS plus pour perforer ou buriner ! Les accessoires non SDS plus et leur mandrin seraient endommagés lors des travaux de perforation ou burinage.

- Mettez en place le mandrin interchangeable à serrage rapide (1) avec stop de frappe intégré.

Remarque : Utilisez exclusivement le mandrin interchangeable à serrage rapide avec stop de frappe intégré conçu pour le **GBH 18V-34 CF**. Avec tout autre mandrin, le mécanisme de frappe pneumatique du perforateur risque d'endommager les accessoires utilisés.

- Tenez fermement la bague de maintien (22) du mandrin interchangeable à serrage rapide. En tournant la bague avant (21), ouvrez le porte-outil jusqu'à ce que l'accessoire puisse être introduit. Maintenez en position la bague de maintien (22) et tournez la bague avant (21) avec force dans le sens de la flèche jusqu'à ce qu'un bruit de cliquet soit nettement audible.
- Vérifiez que l'accessoire est bien fixé en tirant dessus.

Remarque : Si le porte-outil a été ouvert à fond, il est possible qu'un bruit de cliquet soit audible lorsque vous essayez de fermer le porte-outil et que le porte-outil ne se ferme pas. Dans un tel cas, tournez la bague avant (21) une fois dans le sens opposé à la flèche. Il est ensuite possible de fermer le porte-outil normalement.

- Placez le sélecteur combiné (7) dans la position « Perçage ».

Démontage d'un accessoire de travail (voir figure H)

- Tenez fermement la bague de maintien (22) du mandrin interchangeable à serrage rapide. En tournant la bague avant (21), ouvrez le porte-outil dans le sens de la flèche jusqu'à ce que l'accessoire puisse être extrait.

Aspiration de poussières/de copeaux

Les poussières de matériaux tels que peintures contenant du plomb, certains bois, minéraux ou métaux, peuvent être nuisibles à la santé. Le contact avec les poussières ou leur inhalation peut entraîner des réactions allergiques et/ou des maladies respiratoires auprès de l'utilisateur ou des personnes se trouvant à proximité.

Certaines poussières telles que les poussières de chêne ou de hêtre sont considérées comme cancérogènes, surtout en association avec des additifs pour le traitement du bois (chromate, lasure). Les matériaux contenant de l'amiante ne doivent être travaillés que par des personnes qualifiées.

- Si possible, utilisez un dispositif d'aspiration des poussières approprié au matériau.
- Veillez à bien aérer la zone de travail.
- Il est recommandé de porter un masque respiratoire avec un niveau de filtration de classe P2.

Respectez les règlements spécifiques aux matériaux à traiter en vigueur dans votre pays.

- ▶ **Évitez toute accumulation de poussières sur le lieu de travail.** Les poussières peuvent facilement s'enflammer.

Fonctionnement

Mise en marche

- ▶ Veillez à ce que le cache (13) du module *Bluetooth*® Low Energy Module GCY 42 soit fermé pendant l'utilisation de l'outil. Vous évitez ainsi toute pénétration de poussière.

Mise en place de l'accu

- ▶ **N'utilisez que des accus Lithium-Ion Bosch d'origine dont la tension correspond à celle indiquée sur la plaque signalétique de l'outil électroportatif.** L'utilisation de tout autre accu présente des risques de blessures et d'incendie.
- Actionnez le bouton de blocage (9) afin d'éviter de mettre accidentellement l'outil électroportatif en marche.
- Insérez l'accu (12) chargé dans les contacts de charge du carter jusqu'à ce qu'il soit bien verrouillé.

Sélection d'un mode de fonctionnement (voir figure I)

La sélection des modes de fonctionnement s'effectue au moyen du sélecteur combiné (7).

Remarque : Ne changez de mode de fonctionnement que lorsque l'outil électroportatif est éteint ! Vous risqueriez sinon d'endommager l'outil électroportatif.

Remarque : Si vous changez de mode de fonctionnement alors que l'interrupteur Marche/Arrêt est bloqué, l'outil électroportatif s'arrête.

- Pour changer de mode de fonctionnement, placez le sélecteur combiné (7) dans la position souhaitée jusqu'à ce qu'il s'enclenche de manière audible.



Position pour **perforer** dans le béton et dans la pierre naturelle

GBH 18V-34 CF avec mandrin interchangeable à serrage rapide (1) : Position pour **percer** sans percussion dans le bois, le métal, la céramique et les plastiques (**rotation droite**)



Position **rotation gauche** pour extraire l'accessoire de travail d'une pièce



Position **Vario-Lock** pour changer la position du burin.



Position pour **buriner**

Mise en marche/arrêt

- Débloquez si nécessaire l'interrupteur Marche/Arrêt en actionnant le bouton de blocage (9).
- Pour **mettre en marche** l'outil électroportatif, appuyez sur l'interrupteur Marche/Arrêt (11).

La LED d'éclairage s'allume dès que l'interrupteur Marche/Arrêt (11) est actionné. Elle permet d'éclairer la zone de travail lorsque la luminosité est mauvaise.

- Pour **arrêter** l'outil électroportatif, relâchez l'interrupteur Marche/Arrêt (11).

Réglage de la vitesse de rotation/de la fréquence de frappe

Vous pouvez modifier en continu la vitesse de rotation/fréquence de frappe de l'outil électroportatif en jouant sur la pression exercée sur l'interrupteur Marche/Arrêt (11).

Une légère pression sur l'interrupteur Marche/Arrêt (11) produit une faible vitesse de rotation/fréquence de frappe. Plus l'on exerce de pression, plus la vitesse de rotation/la fréquence de frappe augmente.

Vous pouvez aussi régler la vitesse de rotation sur l'écran de contrôle ou via l'application pour smartphone dédiée (voir « Sélection du mode de travail », Page 25).

Changement de la position du burin (Vario-Lock)

Il est possible de bloquer le burin dans 16 positions. Ceci permet de toujours travailler dans une position optimale.

- Insérez le burin dans le porte-outil.
- Placez le sélecteur combiné (7) dans la position « Vario-Lock ».
- Tournez le burin jusqu'à ce qu'il se trouve dans la position souhaitée.

- Placez le sélecteur combiné (7) dans la position « Burinage ». Le porte-outil est alors bloqué.

Burinage avec fonction de blocage

Pour les travaux de burinage longs, vous avez la possibilité dans le mode « Burinage » de bloquer l'interrupteur Marche/Arrêt (11) pour ne pas avoir à le maintenir constamment actionné.

- Pour **bloquer** l'interrupteur Marche/Arrêt (11), enfoncez-le jusqu'en butée tout en appuyant sur le bouton de blocage (9).
- Pour arrêter, actionnez à nouveau le bouton de blocage (9).

Remarque : Si vous changez de mode de fonctionnement alors que l'interrupteur Marche/Arrêt est bloqué, l'outil électroportatif s'arrête.

Débrayage de sécurité

► Dès que l'accessoire de travail se coince ou qu'il s'accroche, l'entraînement de la broche est interrompu. En raison des forces intervenant, tenez toujours l'outil électroportatif fermement avec les deux mains et ayez une position ferme.

► Si l'outil électroportatif est bloqué, éteignez-le et desserrez l'outil de travail. Lorsqu'on met l'appareil en marche, l'outil de travail étant bloqué, il peut y avoir de fortes réactions.

Arrêt rapide (Kickback Control)



Le dispositif d'arrêt rapide (Kickback Control) améliore la maîtrise de l'outil électroportatif et donc la sécurité d'utilisation par rapport aux outils électroportatifs sans Kickback Control. L'outil électroportatif s'arrête immédiatement dès qu'il se met subitement, et de façon imprévisible, à tourner autour de l'axe du foret, l'affichage Arrêt rapide (Kickback Control) (24) s'allume et la LED d'éclairage (14) clignote. Quand l'arrêt rapide (Kickback Control) est actif, l'affichage d'état (27) clignote en rouge.

- Pour **remettre en marche** l'outil électroportatif, relâchez l'interrupteur Marche/Arrêt (11) et actionnez-le à nouveau.

Electronic Precision Control (EPC)

La fonction EPC facilite les perçages avec percussion grâce à un démarrage en douceur pour un travail plus précis.

Commande électronique de vitesse (Adaptive Speed Control) dans le mode « Burinage »



Pour une meilleure maîtrise et une amorce plus précise, l'outil électroportatif démarre avec un petit régime et accélère ensuite rapidement jusqu'au régime maximal.

La commande électronique de vitesse est automatiquement activée lorsque l'outil

électroportatif lors de l'amorce du burlage.

Écran de contrôle (voir figure J)

L'écran de contrôle (19) sert à la sélection du mode de travail et à l'affichage d'état de l'outil électroportatif.

Affichages d'état

Indicateur d'état de charge de l'accu (écran de contrôle) (23)	Signification/cause	Remède
--	---------------------	--------

vert (2 à 5 barres)	Accu chargé	–
jaune (1 barre)	Accu presque vide	Changer l'accu ou le recharger sans tarder
rouge (1 barre)	Accu vide	Changer d'accu ou le recharger

Affichage de température (29)	Signification/cause	Remède
-------------------------------	---------------------	--------

jaune	L'accu ou l'outil électroportatif sont en surchauffe, la puissance est réduite	Faire fonctionner l'outil électroportatif à vide et attendre qu'il refroidisse ou remplacer l'accu en surchauffe
rouge	L'accu ou l'outil électroportatif sont en surchauffe, l'outil électroportatif est arrêté par mesure de protection	Laisser refroidir l'outil électroportatif ou remplacer l'accu en surchauffe

Affichage d'état (27)	Signification/cause	Remède
-----------------------	---------------------	--------

vert	État OK	–
jaune	Température critique atteinte ou accu presque vide	Faire fonctionner l'outil électroportatif à vide et attendre qu'il refroidisse ou bien changer / recharger l'accu
rouge	Outil électroportatif en surchauffe ou accu vide	Laisser refroidir l'outil électroportatif ou bien changer / recharger l'accu
rouge	Bouton de blocage actionné dans le mode « Perforation »	Actionner à nouveau le bouton de blocage
	Interrupteur combiné actionné en cours d'utilisation	Arrêter et remettre en marche l'outil électroportatif
	Le moteur est bloqué, l'accu est trop faible	Charger l'accu ou utiliser le type d'accu recommandé
	Défaut d'ordre général	– Arrêter puis remettre en marche l'outil électroportatif ou bien retirer et réinsérer l'accu Si le problème persiste : – Envoyer l'outil électroportatif au service après-vente
rouge clignotant – en combinaison avec l'affichage arrêt rapide (24)	Entrée en action du dispositif d'arrêt rapide	Arrêter et remettre en marche l'outil électroportatif
bleu clignotant	L'outil électroportatif est connecté à un périphérique mobile ou les réglages sont en train d'être transmis	–

Affichage d'état smartphone (28)	Signification/cause	Remède
----------------------------------	---------------------	--------

vert	Des informations additionnelles sont disponibles (p. ex. informations commerciales)	Lire le message sur le smartphone si souhaité
------	---	---

Affichage d'état smartphone (28)	Signification/cause	Remède
jaune	Des informations importantes sont disponibles (p. ex. alerte de température)	Lire le message sur le smartphone
rouge	Des informations critiques sont disponibles (p. ex. arrêt du moteur pour cause de défaut dans l'unité microcontrôleur)	Lire sans tarder le message sur le smartphone

Sélection du mode de travail

- Actionnez de façon répétée la touche **(26)** jusqu'à ce que le mode de travail souhaité soit éclairé.

Remarque : Dans le mode de travail **Favorite**, les fonctions doivent être configurées sur le smartphone via une application dédiée ; dans les modes **Auto** et **Soft** les fonctions sont préréglées.

Affichage mode de travail (25)	Fonctions
Auto s'allume.	<p>Dans le mode de travail Auto, l'outil électroportatif fonctionne à pleine puissance.</p> <ul style="list-style-type: none"> – Mode de fonctionnement « Perforation » : augmentation progressive rapide de la vitesse de rotation jusqu'à 100 % du régime maximal pour une amorce de perçage maîtrisée – Mode de fonctionnement « Burinage » : commande électronique de vitesse (Adaptive Speed Control) – Dispositif d'arrêt rapide (Kickback Control)
Soft s'allume.	<p>Le mode de travail Soft est à utiliser pour les matériaux fragiles.</p> <ul style="list-style-type: none"> – Mode de fonctionnement « Perforation » : EPC actif, augmentation lente de la vitesse de rotation jusqu'à 80 % du régime maximal pour une amorce en douceur dans les surfaces fragiles – Mode de fonctionnement « Burinage » : commande électronique de vitesse (Adaptive Speed Control) réglée avec une sensibilité plus élevée – Dispositif d'arrêt rapide (Kickback Control) réglé avec une sensibilité plus élevée
Favorite s'allume.	<p>Dans le mode de travail Favorite, l'outil électroportatif peut être configuré de manière personnalisée sur un smartphone, via une application dédiée.</p> <ul style="list-style-type: none"> – Le mode de fonctionnement « Perforation » est configurable dans plusieurs positions : Puissance via la vitesse de rotation Electronic Precision Control (EPC) via la vitesse de montée en régime – Mode de fonctionnement « Burinage » : commande électronique de vitesse (Adaptive Speed Control) activable / désactivable – Sensibilité du dispositif d'arrêt rapide (Kickback Control) configurable jusqu'à l'arrêt

Fonctions de connectivité

En combinaison avec le module *Bluetooth®* Low Energy GCY 42, l'outil électroportatif dispose des fonctions de connectivité suivantes :

- Enregistrement et personnalisation
- Vérification d'état, émission d'avertissements
- Informations générales et réglages
- Gestion

Pour plus d'informations, veuillez lire la notice d'utilisation du module *Bluetooth®* Low Energy **GCY 42**.

L'affichage smartphone **(28)** s'allume lorsque l'outil électroportatif transmet une information (par ex. alerte de température) à un smartphone par voie radio au moyen de la technologie *Bluetooth®*.

Instructions d'utilisation

- ▶ **En présence du module *Bluetooth®* Low Energy GCY 42, l'outil électroportatif est doté d'une interface radio. Observez les restrictions d'utilisation locales en vigueur, par ex. dans les avions ou dans les hôpitaux.**
- ▶ **Dans les endroits où il est interdit d'utiliser la technologie *Bluetooth®*, retirez le module *Bluetooth®* Low Energy GCY 42 ainsi que la pile bouton.**

Remarque : Le cache **(13)** ne peut être fermé correctement que si le module *Bluetooth®* Low Energy GCY 42 et la pile bouton se trouvent dans l'outil électroportatif.

- Pour **désactiver** le module *Bluetooth®* Low Energy GCY 42, retournez la pile bouton ou intercalez un morceau de feuille isolante entre la pile bouton et le module *Bluetooth®* Low Energy GCY 42.
- Fermez le cache **(13)** de façon à ce qu'aucune saleté ne puisse pénétrer à l'intérieur.

Dispositif d'amortissement des vibrations



Le dispositif intégré d'amortissement des vibrations (Vibration Control) réduit les vibrations générées en cours d'utilisation.

► **Ne continuez pas à utiliser l'outil électroportatif si l'élément d'amortissement est endommagé.**

Indications pour une utilisation optimale de la batterie

Protégez l'accu de l'humidité et de l'eau.

Ne stockez l'accu que dans la plage de températures de -20 à 50 °C. Ne laissez par ex. pas l'accu dans une voiture en plein été.

Nettoyez de temps en temps les orifices de ventilation de l'accu à l'aide d'un pinceau doux, propre et sec.

Une baisse notable de l'autonomie de l'accu au fil des recharges effectuées indique que l'accu est arrivé en fin de vie et qu'il doit être remplacé.

Respectez les indications concernant l'élimination.

Entretien et Service après-vente

Nettoyage et entretien

- **Retirez l'accu de l'appareil électroportatif avant toute intervention (opérations d'entretien/de maintenance, changement d'accessoire, etc.) ainsi que lors de son transport et rangement.** Il y a sinon risque de blessure lorsqu'on appuie par mégarde sur l'interrupteur Marche/Arrêt.
- **Tenez toujours propres l'outil électroportatif ainsi que les fentes de ventilation afin d'obtenir un travail impeccable et sûr.**
- **Remplacez immédiatement le capuchon anti-poussière s'il est endommagé. Il est recommandé de faire effectuer ce travail dans un centre de service après-vente.**
 - Nettoyez le porte-outil (3) après chaque utilisation.
 - Nettoyez le porte-outil après chaque utilisation.

Service après-vente et conseil utilisateurs

Notre Service après-vente répond à vos questions concernant la réparation et l'entretien de votre produit et les pièces de rechange. Vous trouverez des vues éclatées et des informations sur les pièces de rechange sur le site : www.bosch-pt.com

L'équipe de conseil utilisateurs Bosch se tient à votre disposition pour répondre à vos questions concernant nos produits et leurs accessoires.

Pour toute demande de renseignement ou toute commande de pièces de rechange, précisez impérativement la référence à 10 chiffres figurant sur l'étiquette signalétique du produit.

Algérie

Siestal
Zone Industrielle Ihaddaden
06000 Bejaia
Tel. : +213 (0) 982 400 991/2

Fax : +213 (0) 3 420 1569

E-Mail : sav@siestal-dz.com

Maroc

Robert Bosch Morocco SARL
53, Rue Lieutenant Mahroud Mohamed
20300 Casablanca
Tel. : +212 5 29 31 43 27
E-Mail : sav.outillage@ma.bosch.com

Tunisie

Robert Bosch Tunisie SARL
7 Rue Ibn Battouta Z.I. Saint Gobain
Mégrine Riadh
2014 Ben Arous
Tél. : +216 71 427 496/879
Fax : +216 71 428 621
E-Mail : sav.outillage@tn.bosch.com

Côte d'Ivoire

Rimco
ZONE 3, 9 RUE DU CANAL
01 BP V230, Abidjan 01
Tel. : +225 21 25 93 38

Sénégal

Bernabé
Km 2,5 – Bd du Centenaire de la Commune de Dakar
B.P. 2098 DAKAR
Tel. : +221 33 849 01 01
Fax : +221 33 823 34 20

Transport

Les accus Lithium-ion sont soumis à la réglementation relative au transport de matières dangereuses. Pour le transport par voie routière, aucune mesure supplémentaire n'a besoin d'être prise.

Lors d'une expédition par un tiers (par ex. transport aérien ou entreprise de transport), des mesures spécifiques doivent être prises concernant l'emballage et le marquage. Pour la préparation de l'envoi, faites-vous conseiller par un expert en transport de matières dangereuses.

N'expédiez que des accus dont le boîtier n'est pas endommagé. Recouvrez les contacts non protégés et emballez l'accu de manière à ce qu'il ne puisse pas se déplacer dans l'emballage. Veuillez également respecter les réglementations supplémentaires éventuellement en vigueur.

Élimination des déchets



Les outils électroportatifs, les accus ainsi que leurs accessoires et emballages doivent être rapportés dans un centre de recyclage respectueux de l'environnement.



Ne jetez pas les outils électroportatifs et les accus/piles avec les ordures ménagères !

Accus/piles :

Li-Ion :

Veillez respecter les indications se trouvant dans le chapitre Transport (voir « Transport », Page 26).

Português

Instruções de segurança

Indicações gerais de advertência para ferramentas eléctricas

⚠ AVISO **Devem ser lidas todas as indicações de advertência e todas as instruções.** O desrespeito das advertências e instruções apresentadas abaixo pode causar choque eléctrico, incêndio e/ou graves lesões.

Guarde bem todas as advertências e instruções para futura referência.

O termo "ferramenta eléctrica" utilizado a seguir nas indicações de advertência, refere-se a ferramentas eléctricas operadas com corrente de rede (com cabo de rede) e a ferramentas eléctricas operadas com acumulador (sem cabo de rede).

Segurança da área de trabalho

- ▶ **Mantenha a sua área de trabalho sempre limpa e bem iluminada.** Desordem ou áreas de trabalho insuficientemente iluminadas podem levar a acidentes.
- ▶ **Não trabalhar com a ferramenta eléctrica em áreas com risco de explosão, nas quais se encontrem líquidos, gases ou pós inflamáveis.** Ferramentas eléctricas produzem faíscas, que podem inflamar pós ou vapores.
- ▶ **Manter crianças e outras pessoas afastadas da ferramenta eléctrica durante a utilização.** No caso de distração é possível que perca o controlo sobre o aparelho.

Segurança eléctrica

- ▶ **A ficha de conexão da ferramenta eléctrica deve caber na tomada. A ficha não deve ser modificada de maneira alguma. Não utilizar uma ficha de adaptação junto com ferramentas eléctricas protegidas por ligação à terra.** Fichas não modificadas e tomadas apropriadas reduzem o risco de um choque eléctrico.
- ▶ **Evitar que o corpo possa entrar em contacto com superfícies ligadas à terra, como tubos, aquecimentos, fogões e frigoríficos.** Há um risco elevado devido a choque eléctrico, se o corpo estiver ligado à terra.
- ▶ **Manter o aparelho afastado de chuva ou humidade.** A infiltração de água numa ferramenta eléctrica aumenta o risco de choque eléctrico.
- ▶ **Não deverá utilizar o cabo para outras finalidades. Nunca utilizar o cabo para transportar a ferramenta eléctrica, para pendurá-la, nem para puxar a ficha da**

tomada. Manter o cabo afastado do calor, do óleo, de arestas afiadas ou de peças em movimento. Cabos danificados ou emaranhados aumentam o risco de um choque eléctrico.

- ▶ **Se trabalhar com uma ferramenta eléctrica ao ar livre, só deverá utilizar cabos de extensão apropriados para áreas exteriores.** A utilização de um cabo de extensão apropriado para áreas exteriores reduz o risco de um choque eléctrico.
- ▶ **Se não for possível evitar o funcionamento da ferramenta eléctrica em áreas húmidas, deverá ser utilizado um disjuntor de corrente de avaria.** A utilização de um disjuntor de corrente de avaria reduz o risco de um choque eléctrico.

Segurança de pessoas

- ▶ **Esteja atento, observe o que está a fazer e tenha prudência ao trabalhar com a ferramenta eléctrica. Não utilizar uma ferramenta eléctrica quando estiver fatigado ou sob a influência de drogas, álcool ou medicamentos.** Um momento de descuido ao utilizar a ferramenta eléctrica, pode levar a lesões graves.
- ▶ **Utilizar equipamento de protecção individual. Utilizar sempre óculos de protecção.** A utilização de equipamento de protecção pessoal, como máscara de protecção contra pó, sapatos de segurança antiderrapantes, capacete de segurança ou protecção auricular, de acordo com o tipo e aplicação da ferramenta eléctrica, reduz o risco de lesões.
- ▶ **Evitar uma colocação em funcionamento involuntária. Assegure-se de que a ferramenta eléctrica esteja desligada, antes de conectá-la à alimentação de rede e/ou ao acumulador, antes de levantá-la ou de transportá-la.** Se tiver o dedo no interruptor ao transportar a ferramenta eléctrica ou se o aparelho for conectado à alimentação de rede enquanto estiver ligado, poderão ocorrer acidentes.
- ▶ **Remover ferramentas de ajuste ou chaves de boca antes de ligar a ferramenta eléctrica.** Uma ferramenta ou chave que se encontre numa parte do aparelho em movimento pode levar a lesões.
- ▶ **Evite uma posição anormal. Mantenha uma posição firme e mantenha sempre o equilíbrio.** Desta forma é mais fácil controlar a ferramenta eléctrica em situações inesperadas.
- ▶ **Usar roupa apropriada. Não usar roupa larga nem jóias. Mantenha os cabelos, roupas e luvas afastadas de partes em movimento.** Roupas frouxas, cabelos longos ou jóias podem ser agarrados por peças em movimento.
- ▶ **Se for possível montar dispositivos de aspiração ou de recolha, assegure-se de que estejam conectados e utilizados correctamente.** A utilização de uma aspiração de pó pode reduzir o perigo devido ao pó.

Utilização e manuseio cuidadoso de ferramentas eléctricas

- ▶ **Não sobrecarregue a ferramenta eléctrica. Utilize a ferramenta eléctrica apropriada para o seu trabalho.** É melhor e mais seguro trabalhar com a ferramenta eléctrica apropriada na área de potência indicada.
- ▶ **Não utilizar uma ferramenta eléctrica com um interruptor defeituoso.** Uma ferramenta eléctrica que não pode mais ser ligada nem desligada, é perigosa e deve ser reparada.
- ▶ **Puxar a ficha da tomada e/ou remover o acumulador antes de executar ajustes no aparelho, de substituir acessórios ou de guardar o aparelho.** Esta medida de segurança evita o arranque involuntário da ferramenta eléctrica.
- ▶ **Guardar ferramentas eléctricas não utilizadas fora do alcance de crianças e não permitir que as pessoas que não estejam familiarizadas com o aparelho ou que não tenham lido estas instruções utilizem o aparelho.** Ferramentas eléctricas são perigosas se forem utilizadas por pessoas inexperientes.
- ▶ **Tratar a ferramenta eléctrica com cuidado. Controlar se as partes móveis do aparelho funcionam perfeitamente e não emperram, e se há peças quebradas ou danificadas que possam prejudicar o funcionamento da ferramenta eléctrica. Permitir que peças danificadas sejam reparadas antes da utilização.** Muitos acidentes têm como causa, a manutenção insuficiente de ferramentas eléctricas.
- ▶ **Manter as ferramentas de corte afiadas e limpas.** Ferramentas de corte cuidadosamente tratadas e com cantos de corte afiados emperram com menos frequência e podem ser conduzidas com maior facilidade.
- ▶ **Utilizar a ferramenta eléctrica, acessórios, ferramentas de aplicação, etc. conforme estas instruções. Considerar as condições de trabalho e a tarefa a ser executada.** A utilização de ferramentas eléctricas para outras tarefas a não ser as aplicações previstas, pode levar a situações perigosas.

Manuseio e utilização cuidadosos de ferramentas com acumuladores

- ▶ **Só carregar acumuladores em carregadores recomendados pelo fabricante.** Há perigo de incêndio se um carregador apropriado para um certo tipo de acumuladores for utilizado para carregar acumuladores de outros tipos.
- ▶ **Só utilizar ferramentas eléctricas com os acumuladores apropriados.** A utilização de outros acumuladores pode levar a lesões e perigo de incêndio.
- ▶ **Manter o acumulador que não está sendo utilizado afastado de cliques, moedas, chaves, parafusos ou outros pequenos objectos metálicos que possam causar um curto-circuito dos contactos.** Um curto-circuito entre os contactos do acumulador pode ter como consequência queimaduras ou fogo.

- ▶ **No caso de aplicação incorrecta pode vaziar líquido do acumulador. Evitar o contacto. No caso de um contacto acidental, deverá enxaguar com água. Se o líquido entrar em contacto com os olhos, também deverá consultar um médico.** Líquido que escapa do acumulador pode levar a irritações da pele ou a queimaduras.

Serviço

- ▶ **Só permita que o seu aparelho seja reparado por pessoal especializado e qualificado e só com peças de reposição originais.** Desta forma é assegurado o funcionamento seguro do aparelho.

Indicações de segurança para martelos

- ▶ **Use protetores auditivos.** A exposição ao ruído pode provocar a perda da audição.
- ▶ **Use o(s) punho(s) auxiliar(es), caso seja(m) fornecido(s) com a ferramenta.** A perda de controlo pode resultar em ferimentos pessoais.
- ▶ **Segure a ferramenta eléctrica nas superfícies de agarrar isoladas, ao executar uma operação onde o acessório de corte possa entrar em contacto com cabos escondidos.** Se o acessório de corte entrar em contacto com um fio "sob tensão", as partes metálicas expostas da ferramenta eléctrica ficam "sob tensão" e podem produzir um choque elétrico.
- ▶ **Utilizar detetores apropriados, para encontrar cabos escondidos, ou consulte a companhia eléctrica local.** O contacto com cabos eléctricos pode provocar fogo e choques eléctricos. Danos em tubos de gás podem levar à explosão. A infiltração num cano de água provoca danos materiais.
- ▶ **Espere que a ferramenta eléctrica pare completamente, antes de depositá-la.** A ferramenta de aplicação pode emperrar e levar à perda de controlo sobre a ferramenta eléctrica.
- ▶ **Fixar a peça a ser trabalhada.** Uma peça a ser trabalhada fixa com dispositivos de aperto ou com torno de bancada está mais firme do que segurada com a mão.
- ▶ **Em caso de danos e de utilização incorreta da bateria, podem escapar vapores. A bateria pode incendiar-se ou explodir.** Areje o espaço e procure assistência médica no caso de apresentar queixas. É possível que os vapores iritem as vias respiratórias.
- ▶ **Não abrir o acumulador.** Há risco de um curto-circuito.
- ▶ **Os objetos afiados como, p. ex., pregos ou chaves de fendas, assim como o efeito de forças externas podem danificar o acumulador.** Podem causar um curto-circuito interno e o acumulador pode ficar queimado, deitar fumo, explodir ou sobreaquecer.
- ▶ **Use a bateria apenas em produtos do fabricante.** Só assim é que a bateria é protegida contra sobrecarga perigosa.



Proteger a bateria contra calor, p. ex. também contra uma permanente radiação solar, fogo, sujidade, água e humidade. Há risco de explosão ou de um curto-circuito.



- ▶ **Durante o trabalho, segure a ferramenta elétrica com as duas mãos e providencie uma estabilidade segura.** A ferramenta elétrica é conduzida com maior segurança com ambas as mãos.
- ▶ **Cuidado! A utilização da ferramenta elétrica com Bluetooth[®] pode dar origem a avarias noutros aparelhos e instalações, aviões e dispositivos médicos (p. ex. pacemakers, aparelhos auditivos). Do mesmo modo, não é possível excluir totalmente danos para pessoas e animais que se encontrem nas proximidades imediatas. Não utilize a ferramenta elétrica com Bluetooth[®] na proximidade de dispositivos médicos, postos de abastecimento de combustível, instalações químicas, áreas com perigo de explosão e zonas de demolição. Não utilize a ferramenta elétrica com Bluetooth[®] em aviões. Evite a operação prolongada em contacto direto com o corpo.**

A marca nominativa Bluetooth[®] tal como o símbolo (logótipo), são marcas registadas e propriedade da Bluetooth SIG, Inc. Qualquer utilização desta marca nominativa/deste símbolo por parte da Robert Bosch Power Tools GmbH possui a devida autorização.

Descrição do produto e do serviço



Leia todas as instruções de segurança e instruções. A inobservância das instruções de segurança e das instruções pode causar choque elétrico, incêndio e/ou ferimentos graves.

Respeite as figuras na parte da frente do manual de instruções.

Utilização adequada

A ferramenta elétrica é destinada para furar com martelo em betão, alvenaria e pedras, assim como para trabalhos de cinzelagem de dificuldade baixa e média. As ferramentas elétricas com bloqueio da função de percussão ou bucha para broca de encabadouro cilíndrico também são apropriadas para furar sem impacto em madeira, metal, cerâmica e plástico.

Os dados e as definições da ferramenta elétrica podem ser transmitidos entre ferramenta elétrica e o aparelho terminal móvel através do Bluetooth[®] Low Energy Module GCY 42 via tecnologia de radiotransmissão Bluetooth[®].

Componentes ilustrados

A numeração dos componentes ilustrados refere-se à apresentação da ferramenta elétrica na página de esquemas.

- (1) Mandril de substituição de aperto rápido com bloqueio de percussão integrado

- (2) Mandril de substituição SDS-plus
- (3) Encabadouro SDS-plus
- (4) Capa de proteção contra pó
- (5) Bucha de travamento
- (6) Anel de travamento do mandril de substituição
- (7) Interruptor combinado para modos de operação e rotação à direita/esquerda
- (8) Amortecimento das vibrações
- (9) Tecla de fixação para o interruptor de ligar/desligar
- (10) Punho (superfície do punho isolada)
- (11) Interruptor de ligar/desligar
- (12) Bateria^{A)}
- (13) Cobertura Bluetooth[®] Low Energy Module GCY 42
- (14) Luz de trabalho
- (15) Tecla para ajuste do batente de profundidade
- (16) Punho adicional (superfície do punho isolada)
- (17) Batente de profundidade
- (18) Tecla de desbloqueio da bateria^{A)}
- (19) Interface de utilizador
- (20) Fixação do mandril de brocas
- (21) Bucha dianteira do mandril de substituição de aperto rápido
- (22) Anel de fixação do mandril de substituição de aperto rápido
- (23) Indicador do nível de carga da bateria (interface de utilizador)
- (24) Indicação do desligamento rápido (Kickback Control) (interface de utilizador)
- (25) Indicação dos modos de trabalho (interface de utilizador)
- (26) Tecla para seleção do modo de trabalho (interface de utilizador)
- (27) Indicação de estado da ferramenta elétrica (interface de utilizador)
- (28) Indicação Smartphone (interface de utilizador)
- (29) Indicação temperatura (interface de utilizador)

A) **Acessórios apresentados ou descritos não pertencem ao volume de fornecimento padrão. Todos os acessórios encontram-se no nosso programa de acessórios.**

Dados técnicos

Martelo perfurador sem fio	GBH 18V-34 CF	
Número de produto		3 611 J14 0..
Tensão nominal	V=	18
Potência nominal absorvida	W	750
N.º de impactos ^{A)}	i.p.m.	0–2900
Intensidade de impacto individual conforme EPTA-Procedure 05:2016	J	5,8

Martelo perfurador sem fio		GBH 18V-34 CF
Número de rotações nominal		
– Rotação à direita	r.p.m.	0–500
– Rotação à esquerda	r.p.m.	0–500
Encabadouro		SDS-plus
Diâmetro da gola do veio	mm	74
Diâmetro máx. de perfuração:		
– Betão	mm	32
– Alvenaria (com broca de coroa oca)	mm	40–82
– Aço	mm	13
– Madeira	mm	40
Peso conforme EPTA-Procedure 01:2014 ^{A)}	kg	5,2–6,3
Comprimento	mm	430
Altura	mm	250
Temperatura ambiente recomendada durante o carregamento	°C	0 ... +35
Temperatura ambiente admissível em funcionamento ^{B)} e durante o armazenamento	°C	–20 ... +50
Baterias compatíveis		GBA 18V... ProCORE18V...
Baterias recomendadas para potência máxima		ProCORE18V... ≥ 5,5 Ah
Carregadores recomendados		GAL 18... GAX 18V... GAL 36...
Transmissão de dados		
Bluetooth®		Bluetooth® 4.2 (Low Energy) ^{C)}
Distância do sinal	s	8
Alcance máximo do sinal ^{D)}	m	30

A) dependendo da bateria utilizada

B) potência limitada com temperaturas <0 °C

C) Os aparelhos terminais móveis têm de ser compatíveis com os aparelhos Low Energy Bluetooth® (versão 4.2) e suportar o Generic Access Profile (GAP).

D) O raio de ação pode variar substancialmente em função das condições externas, incluindo do aparelho recetor utilizado. Dentro de recintos fechados e através de barreiras metálicas (p. ex. paredes, prateleiras, malas, etc.) o raio de ação do Bluetooth® pode ser claramente menor.

Informação sobre ruídos/vibrações

Os valores de emissão de ruído foram determinados de acordo com **EN 60745-2-6**.

O nível sonoro avaliado como A da ferramenta elétrica é normalmente de: nível de pressão sonora **89 dB(A)**; nível de potência sonora **100 dB(A)**. Incerteza K = **3 dB**.

Utilizar proteção auditiva!

Valores totais de vibração a_h (soma dos vetores das três direções) e incerteza K determinada segundo

EN 60745-2-6:

Furar com martelo em betão: $a_h = 11 \text{ m/s}^2$, $K = 1,5 \text{ m/s}^2$,

Cinzelar: $a_h = 11 \text{ m/s}^2$, $K = 2,8 \text{ m/s}^2$,

Furar metal: $a_h = 2,5 \text{ m/s}^2$, $K = 1,5 \text{ m/s}^2$,

O nível de vibrações indicado nestas instruções de serviço foi medido de acordo com um processo de medição normalizado e pode ser utilizado para a comparação de aparelhos. Ele também é apropriado para uma avaliação provisória da carga de vibrações.

O nível de vibrações indicado representa as aplicações principais da ferramenta elétrica. Se a ferramenta elétrica for utilizada para outras aplicações, com outras ferramentas de trabalho ou com manutenção insuficiente, é possível que o nível de vibrações seja diferente. Isso pode aumentar consideravelmente a carga de vibrações durante o período completo de trabalho.

Para uma avaliação exata da carga de vibrações, também deveriam ser considerados os períodos nos quais a ferramenta está desligada ou funciona, mas não está sendo utilizado. Isto pode reduzir consideravelmente a carga de vibrações durante o período completo de trabalho.

Além disso também deverão ser estipuladas medidas de segurança para proteger o operador contra o efeito de vibrações, como por exemplo: manutenção de ferramentas elétricas e acessórios, manter as mãos quentes e organização dos processos de trabalho.

Montagem

- ▶ **Prima a tecla de fixação para fixar o interruptor de ligar/desligar antes de qualquer trabalho na ferramenta elétrica (p. ex. manutenção, troca de acessório, etc.), assim como para transporte e armazenamento.** Há perigo de ferimentos se o interruptor de ligar/desligar for acionado involuntariamente.

Colocar o Bluetooth® Low Energy Module GCY 42

Para informações acerca do Bluetooth® Low Energy Module GCY 42 leia as respetivas instruções de utilização.

Carregar a bateria

- ▶ **Utilize apenas os carregadores listados nos dados técnicos.** Só estes carregadores são apropriados para os baterias de lítio utilizadas para a sua ferramenta elétrica.

Nota: A bateria é fornecida parcialmente carregada. Para assegurar a completa potência da bateria, a bateria deverá ser carregada completamente no carregador antes da primeira utilização.

A bateria de lítio pode ser carregada a qualquer altura, sem que a sua vida útil seja reduzida. Uma interrupção do processo de carga não danifica a bateria.

O acumulador de iões de lítio está protegido contra descarga completa pelo sistema "Electronic Cell Protection (ECP)". A

ferramenta elétrica é desligada através de um disjuntor de proteção, logo que o acumulador estiver descarregado. A ferramenta de trabalho não se movimenta mais.

► **Não continuar a premir o interruptor de ligar/desligar após o desligamento automático da ferramenta elétrica.** A bateria pode ser danificada.

Observe as indicações sobre a eliminação de forma ecológica.


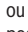
Retirar a bateria

A bateria (12) possui dois níveis de travamento, que devem evitar, que a bateria caia, caso a tecla de desbloqueio da bateria (18) seja premida por acaso. Enquanto a bateria estiver dentro da ferramenta elétrica, ela é mantida em posição por uma mola.

- Para retirar a bateria (12) prima a tecla de desbloqueio (18) e puxe a bateria para a retirar da ferramenta elétrica. **Não empregar força.**

Indicador do nível de carga da bateria

Os LEDs verdes do indicador do nível de carga da bateria indicam o nível de carga da bateria. Por motivos de segurança, a consulta do nível de carga só é possível com a ferramenta elétrica parada.

Prima a tecla para o indicador do nível de carga da bateria  ou  para visualizar o nível de carga. Isto também é possível com a bateria removida.

Se, depois de premir a tecla para o indicador do nível de carga da bateria, não se acender qualquer LED, a bateria tem defeito e tem de ser substituída.

Nota: O nível de carga da bateria é indicado na interface do utilizador (19) Indicadores de estado.

Tipo de bateria GBA 18V...



LEDs	Capacidade
Luz permanente 3 × verde	60–100 %
Luz permanente 2 × verde	30–60 %
Luz permanente 1 × verde	5–30 %
Luz intermitente 1 × verde	0–5 %

Tipo de bateria ProCORE18V...



LEDs	Capacidade
Luz permanente 5 × verde	80–100 %
Luz permanente 4 × verde	60–80 %
Luz permanente 3 × verde	40–60 %
Luz permanente 2 × verde	20–40 %
Luz permanente 1 × verde	5–20 %
Luz intermitente 1 × verde	0–5 %

Punho adicional

► **Utilize a ferramenta elétrica apenas com o punho adicional (16).**

Virar o punho adicional (ver figura A)

Pode virar o punho adicional (16) à sua vontade, para obter uma posição de trabalho segura e sem fadiga.

- Rode a peça do punho do punho adicional (16) para a esquerda e vire o punho adicional (16) para a posição desejada. A seguir, volte a apertar a peça de punho inferior do punho adicional (16) para a direita.

Observe que a cinta de aperto do punho adicional esteja na ranhura prevista para tal, que se encontra na carcaça da ferramenta.

Ajustar a profundidade de perfuração (ver figura B)

Com o batente de profundidade (17) é possível definir a profundidade de perfuração desejada X.

- Prima a tecla para o ajuste do batente de profundidade (15) e coloque o batente de profundidade no punho adicional (16). As estrias no batente de profundidade (17) têm de ficar viradas para baixo.
- Empurre a ponta de aparafusar SDS-plus até ao batente no encabadoiro SDS-plus (3). Caso contrário, a mobilidade do acessório SDS-plus pode causar um ajuste errado da profundidade de perfuração.
- Puxe o batente de profundidade para fora até a distância entre a ponta da broca e a ponta do batente de profundidade corresponder à profundidade de perfuração X desejada.

Selecionar bucha e ferramentas

Para furar com martelo e para cinzelar, são necessárias ferramentas SDS-plus, que são encaixadas na bucha SDS-plus.

Para furar sem impacto em madeira, metal, cerâmica e plástico, assim como para aparafusar, são utilizadas ferramentas sem SDS-plus (p. ex. brocas com encabadoiro cilíndrico). Para estas ferramentas necessita do mandril de substituição de aperto rápido (1) com bloqueio de percussão integrado.

Nota: Apenas com o mandril de substituição de aperto rápido (1) com bloqueio de percussão integrado se garante que as ferramentas utilizadas não são danificadas.

Retirar/colocar o mandril de substituição

Retirar o mandril de substituição (ver figura C)

- Puxe o anel de travamento do mandril de substituição (6) para trás, segure-o nessa posição e puxe o mandril de substituição SDS-plus (2) ou o mandril de substituição de aperto rápido (1) para a frente.
- Após ser retirado, o mandril de substituição deve ser protegido contra sujidade.

Introduzir o mandril de substituição (ver figura D)

- Limpe o mandril de substituição antes de o colocar e lubrifique ligeiramente a haste de encaixe.
- Agarre o mandril de substituição SDS-plus (2) ou o mandril de substituição de aperto rápido (1) com a mão toda. Introduza o mandril de substituição rodando-o no encaixe da bucha (20), até se ouvir claramente um som de encaixe.
- O mandril de substituição trava-se automaticamente. Puxar o mandril de substituição para controlar o travamento.

Troca de ferramenta

A capa de proteção contra pó (4) evita consideravelmente que penetre pó de perfuração no encabadouro durante o funcionamento. Ao introduzir a ferramenta, certifique-se de que a capa de proteção contra pó (4) não é danificada.

- ▶ **Uma capa de proteção contra pó danificada deve ser substituída imediatamente. Recomendamos que o faça no Serviço de Assistência Técnica.**

Troca de ferramenta (SDS-plus)**Introduzir a ponta de aparafusar SDS-plus (ver figura E)**

Com o mandril de substituição SDS-plus é possível trocar fácil e confortavelmente as ferramentas de trabalho, sem ter que utilizar outras ferramentas.

- Introduza o mandril de substituição SDS-plus (2).
- Limpe a haste de encaixe da ferramenta de trabalho e lubrifique levemente.
- Introduza a ferramenta de trabalho no encabadouro, girando até travar-se automaticamente.
- Puxe a ferramenta para controlar o travamento.

A ferramenta de trabalho SDS-plus pode ser movida livremente condicionada pelo sistema. Por causa disso, ocorre um desvio de rotação em vazio. Isto não tem qualquer influência na precisão do furo, uma vez que a broca se autocentra ao furar.

Retirar a ponta de aparafusar SDS-plus (ver figura F)

- Empurre a bucha de travamento (5) para trás e retire a ponta de aparafusar.

Troca de ferramenta (sem SDS-plus)**Introduzir a ferramenta de trabalho (ver figura G)**

Nota: Não use ferramentas sem SDS-plus para furar com martelo ou cinzelar! As ferramentas sem SDS-plus e as respetivas buchas são danificadas ao furar com martelo e a cinzelar.

- Introduza o mandril de substituição de aperto rápido (1) com bloqueio de percussão integrado.

Nota: Utilize exclusivamente o mandril de substituição de aperto rápido específico para o **GBH 18V-34 CF** com bloqueio de percussão integrado. Apenas com esta bucha se garante que o mecanismo pneumático de percussão do martelo perfurador não danifica as ferramentas de trabalho.

- Segure o anel de fixação (22) do mandril de substituição de aperto rápido. Abra o encabadouro rodando a bucha dianteira (21) até ser possível introduzir a ferramenta. Segure o anel de fixação (22) e rode a bucha dianteira (21) com força no sentido da seta, até que sejam audíveis ruídos de catraca.
- Puxar a ferramenta para verificar se está firme.

Nota: Se o encabadouro tiver sido aberto até ao batente, é possível que se oiça um ruído de catraca ao fechar o encabadouro e o encabadouro não se fecha.

Nesse caso, rode uma vez a bucha dianteira (21) no sentido oposto ao da seta. Em seguida será possível fechar o encabadouro.

- Rode o interruptor combinado (7) para a posição "Furar".

Retirar a ponta de aparafusar (ver figura H)

- Segure o anel de fixação (22) do mandril de substituição de aperto rápido. Abra o encabadouro rodando a bucha dianteira (21) no sentido da seta até ser possível remover a ferramenta.

Aspiração de pó/de aparas

Pós de materiais como por exemplo, tintas que contém chumbo, alguns tipos de madeira, minerais e metais, podem ser nocivos à saúde. O contacto ou a inalação dos pós pode provocar reações alérgicas e/ou doenças nas vias respiratórias do utilizador ou das pessoas que se encontrem por perto.

Certos pós, como por exemplo pó de carvalho e faia são considerados como sendo cancerígenos, especialmente quando juntos com substâncias para o tratamento de madeiras (cromato, produtos de proteção da madeira). Material que contém asbesto só deve ser processado por pessoal especializado.

- Se possível deverá usar um dispositivo de aspiração de pó apropriado para o material.
- Assegurar uma boa ventilação do local de trabalho.
- É recomendável usar uma máscara de proteção respiratória com filtro da classe P2.

Observe as diretivas para os materiais a serem processados, vigentes no seu país.

- ▶ **Evite a acumulação de pó no local de trabalho.** Pós podem entrar levemente em ignição.

Funcionamento**Colocação em funcionamento**

- ▶ Certifique-se de que a cobertura (13) do *Bluetooth® Low Energy Module GCY 42* está fechada durante o funcionamento. Deste modo, evitará a entrada de pó.

Colocar a bateria

- ▶ **Só utilizar baterias de lítio Bosch com a tensão indicada na placa de características da sua ferramenta elétrica.** A utilização de outras baterias pode levar a lesões e perigo de incêndio.

- Prima a tecla de fixação (9), para proteger a ferramenta elétrica contra uma ligação inadvertida.
- Insira a bateria (12) carregada nos contactos de carga da carcaça, até que a bateria fique bloqueada de forma segura.

Ajustar o meu modo de operação (ver figura I)

Com o interruptor combinado (7) seleciona o modo de operação da ferramenta elétrica.

Nota: Mude o modo de operação apenas com a ferramenta elétrica desligada! Caso contrário a ferramenta elétrica pode ficar danificada.


Nota: Se mudar para outro modo de operação enquanto o interruptor de ligar/desligar está travado, a ferramenta elétrica desliga-se.

- Rode o interruptor combinado (7) para a posição desejada até ele engatar de forma audível para mudar o modo de operação.

 Posição para **furar com martelo** em betão ou pedra



GBH 18V-34 CF com mandril de substituição de aperto rápido (1): posição para **furar** sem impacto em madeira, metal, cerâmica e plástico (**rotação à direita**)

 Posição para **rotação à esquerda** para soltar a ferramenta de trabalho da peça



 Posição **Vario-Lock** para ajustar a posição de cinzelamento.



 Posição para **cinzelar**



Ligar/desligar

- Se necessário, solte a tecla de fixação (9) para o interruptor de ligar/desligar.
- Para **ligar** a ferramenta elétrica, prima o interruptor de ligar/desligar (11).

A lâmpada acende-se com o interruptor de ligar/desligar (11) ligeira ou completamente premido e permite iluminar o local de trabalho em caso de condições de luminosidade desfavoráveis.

- Para **desligar** a ferramenta elétrica, liberte o interruptor de ligar/desligar (11).

Ajustar o número de rotações/impactos

Pode regular o número de rotações/impactos da ferramenta elétrica ligada de forma contínua, consoante a pressão que faz no interruptor de ligar/desligar (11).

Uma leve pressão sobre o interruptor de ligar/desligar (11) proporciona um número de rotações/impactos baixo.

Aumentando a pressão, é aumentado o n.º de rotações/impactos.

Também pode regular o número de rotações na interface de utilizador ou através da aplicação para smartphone (ver "Selecionar o modo de trabalho", Página 35).

Alterar a posição do cinzel (Vario-Lock)

Pode fixar o cinzel em 16 posições. Desta forma pode escolher a melhor posição de trabalho para si.

- Introduzir o cinzel no encabadouro.
- Rode o interruptor combinado (7) para a posição "Vario-Lock".
- Rode a ferramenta de trabalho para a posição do cinzel desejada.
- Rode o interruptor combinado (7) para a posição "Cinzelar". Desta forma o encabadouro fica bloqueado.

Cinzelar com função de travamento

Para cinzelar por mais tempo sem premir permanentemente o interruptor de ligar/desligar (11), fixe o interruptor de ligar/desligar no modo de operação "Cinzelar".

- Para **fixar** prima o interruptor de ligar/desligar (11) até ao batente e prima simultaneamente a tecla de fixação (9).
- Para desligar, prima novamente a tecla de fixação (9).

Nota: Se mudar para outro modo de operação enquanto o interruptor de ligar/desligar está travado, a ferramenta elétrica desliga-se.

Acoplamento de sobrecarga

- ▶ **Se o acessório emperrar ou pender, a força motriz do veio da broca é interrompida. Devido às forças que se formam, segure sempre a ferramenta elétrica bem com as duas mãos e coloque-se sobre uma base estável.**
- ▶ **Desligue a ferramenta elétrica e solte o acessório se a ferramenta elétrica encravar. Ao ligar o aparelho com uma broca bloqueada são produzidos altos momentos de reação.**

Desligamento rápido (Kickback Control)



O desligamento rápido (Kickback Control) oferece um melhor controlo sobre a ferramenta elétrica e aumenta assim a proteção do utilizador comparativamente a ferramentas elétricas sem Kickback Control. Em caso de uma rotação repentina e imprevista da ferramenta elétrica sobre o eixo de perfuração, a ferramenta elétrica desliga-se, a indicação do desligamento rápido (24) acende-se e a luz de trabalho (14) pisca. Com o desligamento rápido ativo, pisca a indicação de estado (27) a vermelho.

- Para **voltar a colocar em funcionamento** solte o interruptor de ligar/desligar (11) e volte a acioná-lo.

Electronic Precision Control (EPC)

O sistema EPC dá-lhe apoio em trabalhos com impacto através de um arranque lento da velocidade de trabalho para um trabalho preciso.

Controlo das rotações elétrico (Adaptive Speed Control) no modo de operação "Cinzelar"

Para um melhor controlo e uma aplicação precisa, a ferramenta elétrica inicia com um número de rotações reduzido, aumentando-o depois de forma rápida

até ao número de rotações máximo. O controlo das rotações elétrico é ativado automaticamente com a aplicação da ferramenta elétrica.

Interface de utilizador (ver figura J)

A interface de utilizador (19) é utilizada para a seleção do modo de trabalho bem como para a indicação do estado da ferramenta elétrica.

Indicadores de estado

Indicador do nível de carga da bateria (interface de utilizador) (23)	Significado/Causa	Solução
verde (2 a 5 barras)	Bateria carregada	–
amarelo (1 barra)	Bateria quase vazia	Trocar ou carregar bateria em breve
vermelho (1 barra)	Acumulador vazio	Trocar ou carregar bateria

Indicação da temperatura (29)	Significado/Causa	Solução
amarelo	A temperatura de serviço da bateria ou da ferramenta elétrica aumenta claramente, a potência é reduzida	Deixar a ferramenta elétrica funcionar em vazio e arrefecer ou substituir a bateria sobreaquecida
vermelho	A temperatura de serviço da bateria ou da ferramenta elétrica foi ultrapassada. Como medida de proteção, a ferramenta elétrica é desligada	Deixar a ferramenta elétrica arrefecer ou substituir a bateria sobreaquecida

Indicação de estado da ferramenta elétrica (27)	Significado/Causa	Solução
verde	Estado OK	–
amarelo	Temperatura crítica atingida ou bateria quase vazia	Deixar a ferramenta elétrica funcionar em vazio e arrefecer ou trocar ou carregar bateria em breve
vermelho	A ferramenta elétrica está sobreaquecida ou a bateria está vazia	Deixar a ferramenta elétrica arrefecer ou trocar ou carregar a bateria
vermelho	Tecla de fixação no modo de operação "Furar com martelo" acionada	Premir novamente a tecla de fixação
	Interruptor combinado acionado durante o funcionamento	Desligar e voltar a ligar a ferramenta elétrica
	O motor está bloqueado, bateria demasiado fraca	Carregar a bateria ou utilizar o tipo de bateria recomendado
	Erro geral	– Desligar e voltar a ligar a ferramenta elétrica ou remover e voltar a colocar a bateria O erro persiste: – enviar a ferramenta elétrica ao Serviço de Assistência Técnica
piscar a vermelho	O desligamento rápido ativou-se	Desligar e voltar a ligar a ferramenta elétrica

Indicação de estado da ferramenta elétrica (27)	Significado/Causa	Solução
– em combinação com a indicação do desligamento rápido (24)		
pisar a azul	A ferramenta elétrica está ligada ao aparelho terminal móvel ou as definições estão a ser transferidas	–

Indicação de estado do smartphone (28)	Significado/Causa	Solução
verde	Informações adicionais disponíveis (p. ex. informações comerciais)	Se estiver interessado, leia a mensagem no smartphone
amarelo	Informações importantes disponíveis (p. ex. aviso de temperatura)	Ler a mensagem no smartphone
vermelho	Informações críticas para a operação disponíveis (p. ex. parada do motor devido a erro na unidade do microcontrolador)	Ler a mensagem no smartphone de imediato

Selecionar o modo de trabalho

- Prima a tecla (26) para escolher o modo de trabalho o número de vezes necessárias até acender o modo de trabalho desejado.

Nota: No modo de trabalho **Favorite** são configuradas as funções através da aplicação para smartphone, nos modos de trabalho **Auto** e **Soft** as funções estão predefinidas.

Indicação do modo de trabalho (25)	Funções
Auto <small>aceso</small>	<p>No modo de trabalho Auto, a ferramenta elétrica atinge a potência máxima.</p> <ul style="list-style-type: none"> – Modo de operação "Furar com martelo": aumento rápido do número de rotações para uma centragem prévia da broca controlada até 100 % do número de rotações máximo – Modo de operação "Cinzelar": controlo das rotações elétrico (Adaptive Speed Control) – Desligamento rápido (Kickback Control)
Soft <small>aceso</small>	<p>O modo de trabalho Soft é utilizado para processar materiais sensíveis.</p> <ul style="list-style-type: none"> – Modo de operação "Furar com martelo": EPC ativo, aumento lento do número de rotações para começar a furar com suavidade até 80 % do número de rotações máximo para furar com martelo em superfícies sensíveis – Modo de operação "Cinzelar": controlo das rotações elétrico (Adaptive Speed Control) com uma regulação ainda mais sensível – Desligamento rápido (Kickback Control) com uma regulação ainda mais sensível
Favorite <small>aceso</small>	<p>No modo de trabalho Favorite, é possível configurar individualmente a ferramenta elétrica através da aplicação para smartphone.</p> <ul style="list-style-type: none"> – Modo de operação "Furar com martelo" configurável em vários níveis: Potência através de rotações Electronic Precision Control (EPC): velocidade de arranque – Modo de operação "Cinzelar": controlo das rotações elétrico (Adaptive Speed Control) ativável e desativável – Sensibilidade do desligamento rápido (Kickback Control) configurável até ao desligamento

Funções Connectivity

Combinado com o *Bluetooth*® Low Energy Module GCY 42 estão disponíveis as seguintes funções Connectivity para a ferramenta elétrica:

- Registo e personalização
- Verificação do estado, emissão de mensagens de aviso

- Informações gerais e ajustes
- Gestão

Para informações acerca do *Bluetooth*® Low Energy Module **GCY 42** leia as respetivas instruções de utilização.

A indicação Smartphone (28) acende-se, se a ferramenta elétrica enviar uma informação (p. ex. aviso de temperatura)

via tecnologia de radiotransmissão *Bluetooth*® a um aparelho terminal móvel.

Instruções de trabalho

- ▶ **A ferramenta elétrica com *Bluetooth*® Low Energy Module GCY 42 colocado está equipada com uma interface de comunicações. Devem ser respeitadas as limitações de utilização locais, p. ex. em aviões ou hospitais.**
- ▶ **Nas áreas onde a tecnologia de radiotransmissão *Bluetooth*® não pode ser usada, têm de ser retirados o *Bluetooth*® Low Energy Module GCY 42 e a pilha botão.**

Nota: A cobertura (13) só pode ser fechada em segurança se o *Bluetooth*® Low Energy Module GCY 42 e a pilha botão se encontrarem na ferramenta elétrica.

- Para **desativar** o *Bluetooth*® Low Energy Module GCY 42 rodar a pilha botão ou colocar um isolamento entre a pilha botão e o *Bluetooth*® Low Energy Module GCY 42.
- Feche a cobertura (13), para que não entre sujidade.

Amortecimento das vibrações



O amortecimento das vibrações integrado reduz a ocorrência de vibrações.

- ▶ **Não continue a usar a ferramenta elétrica se o elemento amortecedor estiver danificado.**

Indicações sobre o manuseio ideal da bateria

Proteger a bateria contra humidade e água.

Armazene a bateria apenas na faixa de temperatura de -20 °C a 50 °C. Por exemplo, não deixe a bateria dentro do automóvel no verão.

Limpar de vez em quando as aberturas de ventilação da bateria com um pincel macio, limpo e seco.

Um tempo de funcionamento reduzido após o carregamento indica que a bateria está gasta e que deve ser substituída.

Observe as indicações sobre a eliminação de forma ecológica.

Manutenção e assistência técnica

Manutenção e limpeza

- ▶ **A bateria deverá ser retirada antes de todos os trabalhos na ferramenta elétrica (p. ex. manutenção, troca de ferramenta etc.) e antes de transportar ou de armazenar a mesma.** Há perigo de ferimentos se o interruptor de ligar/desligar for acionado involuntariamente.
- ▶ **Manter a ferramenta elétrica e as aberturas de ventilação sempre limpas, para trabalhar bem e de forma segura.**
- ▶ **Uma capa de proteção contra pó danificada deve ser substituída imediatamente. Recomendamos que o faça no Serviço de Assistência Técnica.**
 - Limpar o encabadouro (3) depois de cada utilização.
 - Limpar o encabadouro depois de cada utilização.

Serviço pós-venda e aconselhamento

O serviço pós-venda responde às suas perguntas a respeito de serviços de reparação e de manutenção do seu produto, assim como das peças sobressalentes. Desenhos explodidos e informações acerca das peças sobressalentes também em:

www.bosch-pt.com

A nossa equipa de consultores Bosch esclarece com prazer todas as suas dúvidas a respeito dos nossos produtos e acessórios.

Indique para todas as questões e encomendas de peças sobressalentes a referência de 10 dígitos de acordo com a placa de características do produto.

Brasil

Robert Bosch Ltda. – Divisão de Ferramentas Elétricas
Rodovia Anhanguera, Km 98 - Parque Via Norte
13065-900, CP 1195
Campinas, São Paulo
Tel.: 0800 7045 446
www.bosch.com.br/contato

Angola

Robert Bosch Ltd
Divisão de Ferramentas Elétricas
Estrada de Cacucaco 288
Luanda
Tel. : +244 927 584 446
<http://www.bosch-professional.com/ao/pt/>

Transporte

As baterias de íões de lítio, contidas, estão sujeitas ao direito de materiais perigosos. As baterias podem ser transportadas na rua pelo utilizador, sem mais obrigações.

Na expedição por terceiros (por ex: transporte aéreo ou expedição), devem ser observadas as especiais exigências quanto à embalagem e à designação. Neste caso é necessário consultar um especialista de materiais perigosos ao preparar a peça a ser trabalhada.

Só enviar baterias se a carcaça não estiver danificada. Colar contactos abertos e embalar a bateria de modo que não possa se movimentar dentro da embalagem. Por favor observe também eventuais diretivas nacionais suplementares.

Eliminação



As ferramentas elétricas, as baterias, os acessórios e as embalagens devem ser enviados a uma reciclagem ecológica de matéria prima.



Não deitar ferramentas elétricas e baterias/pilhas no lixo doméstico!

Baterias/pilhas:

Lítio:

Observar as indicações no capítulo Transporte (ver "Transporte", Página 36).

Español

Indicaciones de seguridad

Advertencias de peligro generales para herramientas eléctricas

⚠️ ADVERTENCIA Lea íntegramente estas advertencias de peligro e instrucciones. En caso de no atenerse a las advertencias de peligro e instrucciones siguientes, ello puede ocasionar una descarga eléctrica, un incendio y/o lesión grave.

Guardar todas las advertencias de peligro e instrucciones para futuras consultas.

El término "herramienta eléctrica" empleado en las siguientes advertencias de peligro se refiere a herramientas eléctricas de conexión a la red (con cable de red) y a herramientas eléctricas accionadas por acumulador (sin cable de red).

Seguridad en el área de trabajo

- ▶ **Mantenga el área de trabajo limpia y bien iluminada.** Las áreas desordenadas u oscuras pueden provocar accidentes.
- ▶ **No utilice herramientas eléctricas en un entorno con peligro de explosión, en el que se encuentren combustibles líquidos, gases o material en polvo.** Las herramientas eléctricas producen chispas que pueden llegar a inflamar los materiales en polvo o vapores.
- ▶ **Mantenga alejados a los niños y otras personas de su puesto de trabajo al emplear la herramienta eléctrica.** Una distracción le puede hacer perder el control sobre la herramienta eléctrica.

Seguridad eléctrica

- ▶ **El enchufe de la herramienta eléctrica debe corresponder a la toma de corriente utilizada. No es admisible modificar el enchufe en forma alguna. No emplear adaptadores en herramientas eléctricas dotadas con una toma de tierra.** Los enchufes sin modificar adecuados a las respectivas tomas de corriente reducen el riesgo de una descarga eléctrica.
- ▶ **Evite que su cuerpo toque partes conectadas a tierra como tuberías, radiadores, cocinas y refrigeradores.** El riesgo a quedar expuesto a una sacudida eléctrica es mayor si su cuerpo tiene contacto con tierra.
- ▶ **No esponga la herramienta eléctrica a la lluvia o a condiciones húmedas.** Existe el peligro de recibir una descarga eléctrica si penetran líquidos en la herramienta eléctrica.
- ▶ **No abuse del cable de red. No utilice el cable de red para transportar la herramienta eléctrica, ni tire de él para sacar el enchufe de la toma de corriente. Mantenga el cable de red alejado del calor, aceite, esquinas cortantes o piezas móviles.** Los cables de red dañados o enredados pueden provocar una descarga eléctrica.

- ▶ **Al trabajar con la herramienta eléctrica a la intemperie utilice solamente cables de prolongación apropiados para su uso al aire libre.** La utilización de un cable de prolongación adecuado para su uso al aire libre reduce el riesgo de una descarga eléctrica.
- ▶ **Si fuese imprescindible utilizar la herramienta eléctrica en un entorno húmedo, es necesario conectarla a través de un dispositivo de corriente residual (RCD) de seguridad (fusible diferencial).** La aplicación de un dispositivo de corriente residual (RCD) reduce el riesgo a exponerse a una descarga eléctrica.

Seguridad de personas

- ▶ **Esté atento a lo que hace y emplee sentido común cuando utilice una herramienta eléctrica. No utilice la herramienta eléctrica si estuviese cansado, ni tampoco después de haber consumido drogas, alcohol o medicamentos.** Un momento de inatención durante el uso de la herramienta eléctrica puede provocar serias lesiones.
- ▶ **Utilice un equipo de protección personal. Utilice siempre una protección para los ojos.** El riesgo a lesionarse se reduce considerablemente si, dependiendo del tipo y la aplicación de la herramienta eléctrica empleada, se utiliza un equipo de protección adecuado como una mascarilla antipolvo, zapatos de seguridad con suela antideslizante, casco o protectores auditivos.
- ▶ **Evite una puesta en marcha involuntaria. Asegúrese de que la herramienta eléctrica esté desconectada antes de conectarla a la toma de corriente y/o al montar el acumulador, al recogerla o al transportarla.** Si transporta la herramienta eléctrica sujetándola por el interruptor de conexión/desconexión o si alimenta la herramienta eléctrica estando ésta conectada, ello puede dar lugar a un accidente.
- ▶ **Retire las herramientas de ajuste o llaves fijas antes de conectar la herramienta eléctrica.** Una herramienta de ajuste o llave fija colocada en una pieza rotante puede producir lesiones al poner en funcionamiento la herramienta eléctrica.
- ▶ **Evite posturas arriesgadas. Trabaje sobre una base firme y mantenga el equilibrio en todo momento.** Ello le permitirá controlar mejor la herramienta eléctrica en caso de presentarse una situación inesperada.
- ▶ **Lleve puesta una vestimenta de trabajo adecuada. No utilice vestimenta amplia ni joyas. Mantenga su pelo, vestimenta y guantes alejados de las piezas móviles.** La vestimenta suelta, las joyas o los pelos largos pueden ser atrapados por las piezas en movimiento.
- ▶ **Si se proporcionan dispositivos para la conexión de las instalaciones de extracción y recogida de polvo, asegúrese que éstos estén conectados y que sean utilizados correctamente.** El empleo de estos equipos reduce los riesgos derivados del polvo.

Uso y trato cuidadoso de herramientas eléctricas

- ▶ **No sobrecargue la herramienta eléctrica. Utilice la herramienta eléctrica adecuada para su aplicación.** Con

la herramienta eléctrica adecuada podrá trabajar mejor y más seguro dentro del margen de potencia diseñado.

- ▶ **No utilice la herramienta eléctrica si el interruptor está defectuoso.** Las herramientas eléctricas que no se puedan conectar o desconectar son peligrosas y deben repararse.
- ▶ **Saque el enchufe de la red y/o desmonte el acumulador antes de realizar un ajuste en la herramienta eléctrica, cambiar de accesorio o al guardar la herramienta eléctrica.** Esta medida preventiva reduce el riesgo a conectar accidentalmente la herramienta eléctrica.
- ▶ **Guarde las herramientas eléctricas fuera del alcance de los niños. No permita la utilización de la herramienta eléctrica a aquellas personas que no estén familiarizadas con su uso o que no hayan leído estas instrucciones.** Las herramientas eléctricas utilizadas por personas inexpertas son peligrosas.
- ▶ **Mantenga las herramientas eléctricas. Controle la alineación de las piezas móviles, rotura de piezas y cualquier otra condición que pudiera afectar el funcionamiento de la herramienta eléctrica. En caso de daño, la herramienta eléctrica debe repararse antes de su uso.** Muchos de los accidentes se deben a herramientas eléctricas con un mantenimiento deficiente.
- ▶ **Mantenga los útiles limpios y afilados.** Las herramientas de corte adecuadamente mantenidas con filos afilados se dejan guiar y controlar mejor.
- ▶ **Utilice la herramienta eléctrica, los accesorios, los útiles, etc. de acuerdo a estas instrucciones, considerando en ello las condiciones de trabajo y la tarea a realizar.** El uso de herramientas eléctricas para trabajos diferentes de aquellos para los que han sido concebidas puede resultar peligroso.

Trato y uso cuidadoso de herramientas accionadas por acumulador

- ▶ **Solamente recargue los acumuladores con los cargadores especificados por el fabricante.** Existe un riesgo de incendio al intentar cargar acumuladores de un tipo diferente al previsto para el cargador.
- ▶ **Utilice las herramientas eléctricas sólo con los acumuladores específicamente designados.** El uso de otro tipo de acumuladores puede provocar daños e incluso un incendio.
- ▶ **Si no utiliza el acumulador, guárdelo separado de objetos metálicos, como clips de papel, monedas, llaves, clavos, tornillos u otros objetos metálicos pequeños que pudieran puentear sus contactos.** El cortocircuito de los contactos del acumulador puede causar quemaduras o un incendio.
- ▶ **La utilización inadecuada del acumulador puede provocar fugas de líquido. Evite el contacto con él. En caso de un contacto accidental, enjuagar el área afectada con abundante agua. En caso de un contacto con los ojos, recurra además inmediatamente a ayuda médica.** El líquido del acumulador puede irritar la piel o producir quemaduras.

Servicio

- ▶ **Únicamente deje reparar su herramienta eléctrica por un experto cualificado, empleando exclusivamente piezas de repuesto originales.** Solamente así se mantiene la seguridad de la herramienta eléctrica.

Indicaciones de seguridad para martillos

- ▶ **Use protectores auriculares.** La exposición al ruido puede causar una pérdida auditiva.
- ▶ **Utilice el(los) mango(s) auxiliar(es), si se suministra(n) con la herramienta.** La pérdida del control puede causar lesiones personales.
- ▶ **Sujete la herramienta eléctrica por las superficies de agarre aisladas al realizar trabajos en los que el accesorio de corte pueda llegar a tocar conductores eléctricos ocultos.** En el caso del contacto del accesorio de corte con conductores "bajo tensión", las partes metálicas expuestas de la herramienta eléctrica pueden quedar "bajo tensión" y dar al operador una descarga eléctrica.
- ▶ **Utilice unos aparatos de exploración adecuados para detectar conductores o tuberías ocultas, o consulte a sus compañías abastecedoras.** El contacto con conductores eléctricos puede provocar un incendio o una electrocución. Al dañar una tubería de gas puede producirse una explosión. La perforación de una tubería de agua puede causar daños materiales.
- ▶ **Espere a que se haya detenido la herramienta eléctrica antes de depositarla.** El útil puede engancharse y hacerle perder el control sobre la herramienta eléctrica.
- ▶ **Asegure la pieza de trabajo.** Una pieza de trabajo fijada con unos dispositivos de sujeción, o en un tornillo de banco, se mantiene sujeta de forma mucho más segura que con la mano.
- ▶ **En caso de daño y uso inapropiado del acumulador pueden emanar vapores. El acumulador se puede quemar o explotar.** En tal caso, busque un entorno con aire fresco y acuda a un médico si nota molestias. Los vapores pueden llegar a irritar las vías respiratorias.
- ▶ **No intente abrir el acumulador.** Podría provocar un cortocircuito.
- ▶ **Mediante objetos puntiagudos, como p. ej. clavos o destornilladores, o por influjo de fuerza exterior se puede dañar el acumulador.** Se puede generar un cortocircuito interno y el acumulador puede arder, humear, explotar o sobrecalentarse.
- ▶ **Utilice el acumulador únicamente en productos del fabricante.** Solamente así queda protegido el acumulador contra una sobrecarga peligrosa.



Proteja la batería del calor excesivo, además de, p. ej., una exposición prolongada al sol, la suciedad, el fuego, el agua o la humedad. Existe riesgo de explosión y cortocircuito.

- ▶ **Durante el trabajo, sostenga firmemente la herramienta eléctrica con ambas manos y cuide una posición segura.** Utilizando ambas manos la herramienta eléctrica es guiada de forma más segura.

- **¡Cuidado! El uso de la herramienta eléctrica con Bluetooth® puede provocar anomalías en otros aparatos y equipos, en aviones y en aparatos médicos (p. ej. marcapasos, audífonos, etc.). Tampoco puede descartarse por completo el riesgo de daños en personas y animales que se encuentren en un perímetro cercano. No utilice la herramienta eléctrica con Bluetooth® cerca de aparatos médicos, gasolineras, instalaciones químicas, zonas con riesgo de explosión ni en zonas con atmósfera potencialmente explosiva. No utilice tampoco la herramienta eléctrica con Bluetooth® a bordo de aviones. Evite el uso prolongado de este aparato en contacto directo con el cuerpo.**

La marca de palabra Bluetooth® como también los símbolos (logotipos) son marcas registradas y propiedad de Bluetooth SIG, Inc. Cada utilización de esta marca de palabra/símbolo por Robert Bosch Power Tools GmbH tiene lugar bajo licencia.

Descripción del producto y servicio



Lea íntegramente estas indicaciones de seguridad e instrucciones. Las faltas de observación de las indicaciones de seguridad y de las instrucciones pueden causar descargas eléctricas, incendios y/o lesiones graves.

Por favor, observe las ilustraciones en la parte inicial de las instrucciones de servicio.

Utilización reglamentaria

La herramienta eléctrica ha sido diseñada para taladrar con percusión en hormigón, mampostería y piedra, así como para realizar ligeros y medianos trabajos de cincelado.

Las herramientas eléctricas con desconexión de percusión o portabrocas para brocas de vástago redondo también son adecuadas para perforar sin percusión en madera, metal, cerámica y plástico.

Los datos y las configuraciones de la herramienta eléctrica se pueden transmitir con el módulo Bluetooth® Low Energy Module GCY 42 colocado, mediante la tecnología de radio-comunicación Bluetooth®, entre la herramienta eléctrica y un aparato móvil final.

Componentes principales

La numeración de los componentes está referida a la imagen de la herramienta eléctrica en la página ilustrada.

- (1) Portabrocas intercambiable de sujeción rápida con desconexión de percusión integrada
- (2) Portabrocas intercambiable SDS-plus
- (3) Portaútiles SDS-plus
- (4) Caperuza guardapolvo
- (5) Casquillo de enclavamiento
- (6) Anillo de enclavamiento de portabrocas intercambiable
- (7) Interruptor combinado para modos de operación y rotación a la derecha/a la izquierda
- (8) Amortiguador de vibraciones
- (9) Tecla de enclavamiento del interruptor de conexión/desconexión
- (10) Empuñadura (zona de agarre aislada)
- (11) Interruptor de conexión/desconexión
- (12) Acumulador^{A)}
- (13) Cubierta del módulo Bluetooth® Low Energy Module GCY 42
- (14) Luz de trabajo
- (15) Botón de ajuste del tope de profundidad
- (16) Empuñadura adicional (zona de agarre aislada)
- (17) Tope de profundidad
- (18) Tecla de desenclavamiento del acumulador^{A)}
- (19) Interfaz de usuario
- (20) Alojamiento del portabrocas
- (21) Manguito delantero del portabrocas intercambiable de sujeción rápida
- (22) Anillo de sujeción del portabrocas intercambiable de sujeción rápida
- (23) Indicador del estado de carga del acumulador (interfaz de usuario)
- (24) Indicador de desconexión rápida (Kickback Control) (interfaz de usuario)
- (25) Indicador de modo de trabajo (interfaz de usuario)
- (26) Tecla para la selección del modo de trabajo (interfaz de usuario)
- (27) Indicador del estado de la herramienta eléctrica (interfaz de usuario)
- (28) Indicador de teléfono inteligente (interfaz de usuario)
- (29) Indicador de temperatura (interfaz de usuario)

A) **Los accesorios descritos e ilustrados no corresponden al material que se adjunta de serie. La gama completa de accesorios opcionales se detalla en nuestro programa de accesorios.**

Datos técnicos

Martillo perforador accionado por acumulador	GBH 18V-34 CF	
Número de artículo	3 611 J14 0..	
Tensión nominal	V=	18
Potencia absorbida nominal	W	750
Número de impactos ^{A)}	min ⁻¹	0-2900
Energía por percusión según EPTA-Procedure 05:2016	J	5,8
Número de revoluciones nominal		
- Giro a derechas	min ⁻¹	0-500
- Giro a izquierdas	min ⁻¹	0-500
Portaútiles	SDS-plus	

Martillo perforador accionado por acumulador		GBH 18V-34 CF
Diámetro del cuello del husillo	mm	74
Diámetro máx. de taladro en:		
– Hormigón	mm	32
– Ladrillo (con corona perforadora hueca)	mm	40–82
– Acero	mm	13
– Madera	mm	40
Peso según EPTA-Procedure 01:2014 ^{A)}	kg	5,2–6,3
Longitud	mm	430
Altura	mm	250
Temperatura ambiente recomendada durante la carga	°C	0 ... +35
Temperatura ambiente permitida durante el servicio ^{B)} y en el almacenamiento	°C	–20 ... +50
Acumuladores compatibles		GBA 18V... ProCORE18V...
Acumuladores recomendados para plena potencia		ProCORE18V... ≥ 5,5 Ah
Cargadores recomendados		GAL 18... GAX 18V... GAL 36...
Transmisión de datos		
Bluetooth®		Bluetooth® 4.2 (Low Energy) ^{C)}
Distancia de señal	s	8
Máximo alcance de señal ^{D)}	m	30

A) dependiente del acumulador utilizado

B) potencia limitada a temperaturas <0 °C

C) Los aparatos finales móviles deben ser compatibles con aparatos Bluetooth® -Low-Energy (versión 4.2) y asistir el Generic Access Profile (GAP).

D) El alcance puede variar fuertemente según las condiciones exteriores, inclusive el receptor utilizado. En el interior de espacios cerrados y por barreras metálicas (p. ej. paredes, estanterías, maletas, etc.), el alcance de Bluetooth® puede ser menor.

Información sobre ruidos y vibraciones

Valores de emisión de ruidos determinados según EN 60745-2-6.

El nivel de ruidos valorado con A de la herramienta eléctrica asciende típicamente a: nivel de presión acústica **89 dB(A)**; nivel de potencia acústica **100 dB(A)**. Inseguridad K = **3 dB**.

¡Llevar orejeras!

Valores totales de vibraciones a_h (suma de vectores de tres direcciones) e inseguridad K determinados según EN 60745-2-6:

Taladrado de percusión en hormigón: $a_h = 11 \text{ m/s}^2$, $K = 1,5 \text{ m/s}^2$,

Cinzelado: $a_h = 11 \text{ m/s}^2$, $K = 2,8 \text{ m/s}^2$,

Taladrado en metal: $a_h = 2,5 \text{ m/s}^2$, $K = 1,5 \text{ m/s}^2$,

El nivel de vibraciones indicado en estas instrucciones ha sido determinado según un procedimiento de medición normalizado y puede servir como base de comparación con otras herramientas eléctricas. También es adecuado para estimar provisionalmente la solicitación experimentada por las vibraciones.

El nivel de vibraciones indicado ha sido determinado para las aplicaciones principales de la herramienta eléctrica. Por ello, el nivel de vibraciones puede ser diferente si la herramienta eléctrica se utiliza para otras aplicaciones, con útiles diferentes, o si el mantenimiento de la misma fuese deficiente. Ello puede suponer un aumento drástico de la solicitación por vibraciones durante el tiempo total de trabajo.

Para determinar con exactitud la solicitación experimentada por las vibraciones, es necesario considerar también aquellos tiempos en los que el aparato esté desconectado, o bien, esté en funcionamiento, pero sin ser utilizado realmente. Ello puede suponer una disminución drástica de la solicitación por vibraciones durante el tiempo total de trabajo.

Fije unas medidas de seguridad adicionales para proteger al usuario de los efectos por vibraciones, como por ejemplo: Mantenimiento de la herramienta eléctrica y de los útiles, conservar calientes las manos, organización de las secuencias de trabajo.

Montaje

► **Antes de realizar cualquier trabajo en la herramienta eléctrica (p. ej. mantenimiento, cambio de útil, etc.), así como al transportarlo y guardarlo, presione la tecla de enclavamiento para bloquear el interruptor de conexión/desconexión.** En caso contrario podría accidentarse al accionar fortuitamente el interruptor de conexión/desconexión.

Colocar el módulo Bluetooth® Low Energy Module GCY 42

Lea las correspondientes instrucciones de servicio respecto a las informaciones del módulo Bluetooth® Low Energy Module GCY 42.

Carga del acumulador

► **Utilice únicamente los cargadores que se enumeran en los datos técnicos.** Solamente estos cargadores han sido especialmente adaptados a los acumuladores de iones de litio empleados en su herramienta eléctrica.

Indicación: El acumulador se suministra parcialmente cargado. Con el fin de obtener la plena potencia del acumulador, antes de su primer uso, cárguelo completamente en el cargador.

El acumulador de iones de litio puede recargarse siempre que se quiera, sin que ello merme su vida útil. Una interrupción del proceso de carga no afecta al acumulador.

El acumulador de iones de litio está protegido contra descarga total gracias al sistema de protección electrónica de cel-

das "Electronic Cell Protection (ECP)". Si el acumulador está descargado, un circuito de protección se encarga de desconectar la herramienta eléctrica. El útil deja de moverse.

► **En caso de una desconexión automática de la herramienta eléctrica no mantenga accionado el interruptor de conexión/desconexión.** El acumulador podría dañarse.

Observe las indicaciones referentes a la eliminación.


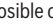
Desmontaje del acumulador

El acumulador (12) dispone de dos etapas de enclavamiento para evitar que se salga en el caso de un accionamiento accidental de la tecla de desenclavamiento del acumulador (18). Mientras el acumulador está montado en la herramienta eléctrica, permanece retenido en esa posición por un resorte.

- Para la extracción del acumulador (12), presione la tecla de desenclavamiento (18) y retire el acumulador de la herramienta eléctrica. **No proceda con brusquedad.**

Indicador del estado de carga del acumulador

Los LEDs verdes del indicador del estado de carga del acumulador indican el estado de carga del acumulador. Por motivos de seguridad, la consulta del estado de carga es solo posible con la herramienta eléctrica parada.

Presione la tecla del indicador de estado de carga  o , para indicar el estado de carga. Esto también es posible con el acumulador desmontado.

Si tras presionar la tecla del indicador de estado de carga no se enciende ningún LED, significa que el acumulador está defectuoso y debe sustituirse.

Indicación: El estado de carga del acumulador también se indica en la interfaz de usuario (19) Indicadores de estado.

Tipo de acumulador GBA 18V...



LEDs	Capacidad
Luz permanente 3 × verde	60–100 %
Luz permanente 2 × verde	30–60 %
Luz permanente 1 × verde	5–30 %
Luz intermitente 1 × verde	0–5 %

Tipo de acumulador ProCORE18V...



LEDs	Capacidad
Luz permanente 5 × verde	80–100 %
Luz permanente 4 × verde	60–80 %
Luz permanente 3 × verde	40–60 %
Luz permanente 2 × verde	20–40 %
Luz permanente 1 × verde	5–20 %

LEDs	Capacidad
Luz intermitente 1 × verde	0–5 %

Empuñadura adicional

► **Utilice su herramienta eléctrica sólo con la empuñadura adicional (16).**

Girar la empuñadura adicional (ver figura A)

La empuñadura adicional (16) la puede girar a voluntad, para lograr una postura de trabajo segura y libre de fatiga.

- Gire la parte inferior de la empuñadura adicional (16) en sentido antihorario y gire la empuñadura adicional (16) a la posición deseada. Luego, vuelva a apretar de nuevo la empuñadura adicional (16) en sentido horario. Observe que la abrazadera de la empuñadura adicional quede alojada en la ranura de la carcasa prevista para tal fin.

Ajustar la profundidad de taladrado (ver figura B)

Con el tope de profundidad (17) se puede fijar la profundidad de taladrado **X** deseada.

- Presione la tecla para el ajuste del tope de profundidad (15) y coloque el tope de profundidad en la empuñadura adicional (16). La acanaladura en el tope de profundidad (17) debe señalar hacia abajo.
- Desplace el útil SDS-plus hasta el tope en el portaútiles SDS-plus (3). En caso contrario, el movimiento del útil SDS-plus puede conducir a un ajuste incorrecto de la profundidad de perforación.
- Extraiga el tope de profundidad, hasta que la distancia entre la punta de la broca y la punta del tope de profundidad corresponda a la profundidad de taladrado **X** deseada.

Selección del portabrocas y de los útiles

Para taladrar con percusión y para cincelar se precisan útiles SDS-plus, que se montan en el portabrocas SDS-plus.

Para taladrar sin percusión en madera, metal, cerámica y plástico, así como para atornillar se utilizan útiles sin vástago SDS-plus (p. ej. brocas de vástago cilíndrico). Para estos útiles se precisa un portabrocas intercambiable de sujeción rápida (1) con desconexión de percusión integrada.

Indicación: Sólo con el portabrocas intercambiable de sujeción rápida (1) con desconexión de percusión integrada está garantizado que no se dañen los útiles colocados.

Montaje/desmontaje del portabrocas intercambiable

Retirar el portabrocas intercambiable (ver figura C)

- Tire el anillo de enclavamiento del portabrocas intercambiable (6) hacia detrás, sujételo en esta posición y retire el portabrocas intercambiable SDS-plus (2) o el portabrocas intercambiable de sujeción rápida (1) hacia delante.

- Proteja convenientemente el portabrocas intercambiable desmontado para evitar que se ensucie.

Montaje del portabrocas intercambiable (ver figura D)

- Limpie el portabrocas intercambiable antes de montarlo y engrase ligeramente el extremo de inserción.
- Agarre el portabrocas intercambiable SDS-plus (2) o el portabrocas intercambiable de sujeción rápida (1) con toda la mano. Deslice el portabrocas intercambiable con un movimiento giratorio sobre el alojamiento del portabrocas (20), hasta que escuche claramente un sonido de encastre.
- El portabrocas intercambiable se enclava automáticamente. Tire del portabrocas intercambiable para asegurarse de que ha quedado correctamente sujeto.

Cambio de útil

La caperuza guardapolvo (4) evita en gran medida la penetración de polvo de perforación en el portaútiles durante el funcionamiento. Al insertar el útil, asegúrese de que la caperuza guardapolvo (4) no esté dañada.

- **Una caperuza guardapolvo dañada debe ser reemplazada inmediatamente. Se recomienda que este trabajo sea realizado por un servicio técnico.**

Cambio de útil (SDS-plus)

Montaje del útil SDS-plus (ver figura E)

El portaútiles SDS-plus le permite cambiar el útil de forma sencilla y cómoda sin precisar para ello una herramienta.

- Coloque el portabrocas intercambiable SDS-plus (2).
- Limpie primero y aplique a continuación una capa ligera de grasa al extremo de inserción del útil.
- Inserte girando el útil en el portaútiles de manera que éste quede sujeto automáticamente.
- Tire del útil para asegurarse de que ha quedado correctamente sujeto.

Condicionado por el sistema, el útil SDS-plus puede moverse libremente. Por ello, en la marcha en vacío se genera una excentricidad radial. Esto no tiene repercusión sobre la precisión del orificio taladrado, ya que la broca se centra por sí misma al taladrar.

Desmontaje del útil SDS-plus (ver figura F)

- Deslice el casquillo de enclavamiento (5) hacia detrás y saque el útil.

Cambio de útil (sin SDS-plus)

Colocar el útil (ver figura G)

Indicación: ¡No utilice el útil sin SDS-plus para el taladrado de percusión o el cincelado! Al taladrar con percusión o cincelar ello perjudicaría a los útiles sin SDS-plus y al portabrocas.

- Coloque el portabrocas intercambiable de sujeción rápida (1) con desconexión de percusión integrada.

Indicación: Utilice únicamente el portabrocas intercambiable de sujeción rápida con tope de impacto integrado específico para el **GBH 18V-34 CF**. Sólo este portabrocas garan-

tiza que el mecanismo neumático de percusión del martillo perforador no dañe los útiles.

- Sujete el anillo de sujeción (22) del portabrocas intercambiable de sujeción rápida. Abra el portaútiles girando el casquillo anterior (21), hasta que se pueda colocar el útil. Sujete el anillo de sujeción (22) y gire vigorosamente el casquillo anterior (21) en dirección de la flecha, hasta que se escuchen ruidos claros de trinquete.
- Verifique la sujeción firme del útil tirando del mismo.

Indicación: Si el portaútiles se abrió hasta el tope, al cerrar el portaútiles se puede poder escuchar un ruido de trinquete y el portaútiles no se cierra.

En este caso, gire el casquillo anterior (21) una vez en contra de la dirección de la flecha. A continuación es posible cerrar el portaútiles.

- Gire el y interruptor combinado (7) a la posición "Tala-drar".

Retirar el útil (ver figura H)

- Sujete el anillo de sujeción (22) del portabrocas intercambiable de sujeción rápida. Abra el portaútiles girando el casquillo anterior (21) en dirección de la flecha, hasta que se pueda sacar el útil.

Aspiración de polvo y virutas

El polvo de ciertos materiales como, pinturas que contengan plomo, ciertos tipos de madera y algunos minerales y metales, puede ser nocivo para la salud. El contacto y la inspiración de estos polvos pueden provocar en el usuario o en las personas circundantes reacciones alérgicas y/o enfermedades respiratorias.

Ciertos polvos como los de roble, encina y haya son considerados como cancerígenos, especialmente en combinación con los aditivos para el tratamiento de la madera (cromatos, conservantes de la madera). Los materiales que contengan amianto solamente deberán ser procesados por especialistas.

- A ser posible utilice un equipo para aspiración de polvo apropiado para el material a trabajar.
- Observe que esté bien ventilado el puesto de trabajo.
- Se recomienda una mascarilla protectora con un filtro de la clase P2.

Observe las prescripciones vigentes en su país sobre los materiales a trabajar.

- **Evite acumulaciones de polvo en el puesto de trabajo.** Los materiales en polvo se pueden inflamar fácilmente.

Funcionamiento

Puesta en marcha

- Preste atención, a que la cubierta (13) del módulo Bluetooth® Low Energy Module GCY 42 esté cerrada durante el servicio. Así evita la entrada de polvo.

Montaje del acumulador

- **Utilice solamente Bosch acumuladores de iones de litio originales de la tensión indicada en la placa de ca-**

racterísticas de su herramienta eléctrica. El uso de otro tipo de acumuladores puede provocar daños e incluso un incendio.

- Presione la tecla de enclavamiento (9), para proteger la herramienta eléctrica ante una conexión involuntaria.
- Inserte el acumulador cargado (12) en el contacto de carga de la caja, hasta que el acumulador quede bien bloqueado.

Ajuste del modo de operación (ver figura 1)

Con el interruptor combinado (7) puede seleccionar el modo de operación de la herramienta eléctrica.

Indicación: ¡Modifique el modo de operación solamente con la herramienta desconectada! En caso contrario podría dañarse la herramienta eléctrica.


Indicación: Si cambia a otro modo de operación mientras el interruptor de conexión/desconexión está bloqueado, la herramienta eléctrica se desconecta.

- Para modificar el modo de operación, gire el interruptor combinado (7) a la posición deseada, hasta que encastre de forma audible.

 Posición para **Taladrar con percusión** en hormigón o piedra



T GBH 18V-34 CF con portabrocas intercambiable de sujeción rápida (1): Posición para **Taladrar** sin percusión en madera, metal, cerámica y plástico (**rotación a la derecha**)

 Posición para **rotación a la izquierda** para soltar el útil de la pieza de trabajo



 Posición **Vario-Lock** para ajustar la posición del cincel.



 Posición para **cincelar**



Conexión/desconexión

- En caso dado, suelte la tecla de enclavamiento (9) del interruptor de conexión/desconexión.
- Para **conectar** la herramienta eléctrica, presione el interruptor de conexión/desconexión (11).

La lámpara se enciende con el interruptor de conexión/desconexión (11) leve o totalmente oprimido y posibilita la iluminación de la zona de trabajo con condiciones de luz desfavorables.

- Para **desconectar** la herramienta eléctrica, suelte el interruptor de conexión/desconexión (11).

Ajuste de las revoluciones/frecuencia de percusión

Puede regular en forma continua el número de revoluciones/la frecuencia de percusión de la herramienta eléctrica conec-

tada, según la presión ejercida sobre el interruptor de conexión/desconexión (11).

Una ligera presión en el interruptor de conexión/desconexión (11) causa bajo número de revoluciones/frecuencia de percusión. Aumentando paulatinamente la presión se van aumentando en igual medida el número de revoluciones/la frecuencia de percusión.

También puede regular el número de revoluciones en la interfaz de usuario o utilizando la aplicación del teléfono inteligente (ver "Seleccionar el modo de trabajo", Página 45).

Modificación de la posición para cincelar (Vario-Lock)

Puede bloquear el cincel en 16 posiciones. Ello le permite adoptar en cada caso una posición de trabajo óptima.

- Monte el cincel en el portaútiles.
- Gire el interruptor combinado (7) a la posición "Vario-Lock".
- Gire el portaútiles hasta conseguir la posición del cincel deseada.
- Gire el interruptor combinado (7) a la posición "Cincelado". El portaherramientas queda bloqueado.

Cincelar con función de enclavamiento

Para cincelar durante un tiempo prolongado sin presionar constantemente el interruptor de conexión/desconexión (11), bloquee el interruptor de conexión/desconexión en el modo de operación "Cincelado".

- Para **bloquear** el interruptor de conexión/desconexión (11), presiónelo hasta el tope y oprima simultáneamente la tecla de enclavamiento (9).
- Para la desconexión, presione de nuevo la tecla de enclavamiento (9).

Indicación: Si cambia a otro modo de operación mientras el interruptor de conexión/desconexión está bloqueado, la herramienta eléctrica se desconecta.

Embrague limitador de par

- ▶ **En caso de engancharse o bloquearse el útil se desacopla el husillo de la unidad de accionamiento. Debido a las fuerzas generadas en ello, siempre sostenga firmemente la herramienta eléctrica con ambas manos y tome una posición firme.**
- ▶ **Desconecte la herramienta eléctrica y suelte el útil, si se bloquea la herramienta eléctrica. Si la herramienta eléctrica se conecta estando bloqueado el útil de taladrar se producen unos pares de reacción muy elevados.**

Desconexión rápida (Kickback Control)



La desconexión rápida (Kickback Control) ofrece un mejor control sobre la herramienta eléctrica y aumenta así la protección del usuario, en comparación a las herramientas eléctricas sin Kickback Control. Si la herramienta eléctrica gira de forma repentina e imprevisible alrededor del eje de la broca, la herramienta se desconecta, el indicador de parada rápi-

da (24) se enciende y la luz de trabajo (14) parpadea. Con la desconexión rápida activada, el indicador de estado (27) parpadea en color rojo.

- Para la **nueva puesta en servicio** suelte el interruptor de conexión/desconexión (11) y accíonelo de nuevo.

Electronic Precision Control (EPC)

El EPC le ayuda a trabajar con percusión aumentando lentamente la velocidad de trabajo para un trabajo preciso.

Control eléctrico del número de revoluciones (Adaptive Speed Control) en el modo de operación "Cincelado"



Para un mejor control y una aplicación precisa, la herramienta eléctrica arranca a bajo número de revoluciones y luego lo aumenta rápidamente hasta alcanzar el número de revoluciones máximo.

El control eléctrico del número de revoluciones se activa automáticamente al aplicar la herramienta eléctrica.

Interfaz del usuario (ver figura J)

La interfaz de usuario (19) sirve para la selección del modo de trabajo así como para la indicación del estado de la herramienta eléctrica.

Indicadores de estado

Indicador del estado de carga del acumulador (interfaz de usuario) (23)	Significado/causa	Solución
verde (2 hasta 5 barras)	Acumulador cargado	–
amarillo (1 barra)	Acumulador casi vacío	Acumulador, sustituir o cargar pronto
rojo (1 barra)	Acumulador vacío	Acumulador, sustituir o cargar

Indicador de temperatura (29)	Significado/causa	Solución
amarillo	La temperatura de servicio del acumulador o de la herramienta eléctrica ha aumentado significativamente, el rendimiento se reduce	La herramienta eléctrica se debe dejar funcionar al ralentí y dejar enfriar o sustituir el acumulador sobrecalentado
rojo	La temperatura de servicio del acumulador o de la herramienta eléctrica se ha sobrepasado, la herramienta eléctrica se desconecta para su protección	La herramienta eléctrica se debe dejar enfriar o sustituir el acumulador sobrecalentado

Indicador de estado de herramienta eléctrica (27)	Significado/causa	Solución
verde	Estado OK	–
amarillo	Se ha alcanzado la temperatura crítica o el acumulador está casi vacío	La herramienta eléctrica se debe dejar funcionar al ralentí y dejar enfriar o sustituir respectivamente cargar pronto el acumulador
rojo	La herramienta eléctrica está sobrecalentada o el acumulador está vacío	Dejar enfriar la herramienta eléctrica o sustituir respectivamente cargar el acumulador
rojo	Accionar la tecla de enclavamiento en el modo de operación "Taladrado de percusión"	Apretar de nuevo la tecla de enclavamiento
	Accionar el interruptor combinado durante el servicio	Desconectar y conectar de nuevo la herramienta eléctrica
	El motor está bloqueado, el acumulador está muy débil	Cargar el acumulador o utilizar el tipo de acumulador recomendado
	Errores generales	– Desconectar y conectar de nuevo la herramienta eléctrica o retirar y colocar de nuevo el acumulador
		Si persiste la avería:

Indicador de estado de herramienta eléctrica (27)	Significado/causa	Solución
rojo parpadeante	La desconexión rápida se ha activado	Desconectar y conectar de nuevo la herramienta eléctrica
– en combinación con la indicación desconexión rápida (24)		– Enviar la herramienta eléctrica al servicio de atención al cliente
luz intermitente azul	La herramienta eléctrica está conectada con el aparato final portátil o la configuración se está transmitiendo	–

Indicador de estado del teléfono inteligente (28)	Significado/causa	Solución
verde	Informaciones adicionales disponibles (p. ej. informaciones comerciales)	En caso de interés, leer el mensaje en el teléfono inteligente
amarillo	Informaciones importantes disponibles (p. ej. advertencia de temperatura)	Leer el mensaje en el teléfono inteligente
rojo	Informaciones críticas para el servicio disponibles (p. ej. parada del motor por causa de error en la unidad de microcontrolador)	Leer sin demoras el mensaje en el teléfono inteligente

Seleccionar el modo de trabajo

- Presione varias veces la tecla (26) para seleccionar el modo de trabajo, hasta que se ilumine el modo de trabajo deseado.

Indicación: En el modo de trabajo **Favorite**, las funciones se configuran utilizando la aplicación del teléfono inteligente, en el modo de trabajo **Auto y Soft**, las funciones están pre-configuradas.

Indicador de modo de trabajo (25)	Funciones
Auto iluminado	<p>En el modo de trabajo Auto, la herramienta eléctrica alcanza la máxima potencia.</p> <ul style="list-style-type: none"> – Modo de operación "Taladrar con percusión": rápido aumento del número de revoluciones para el taladrado controlado hasta el 100 % del número de revoluciones máximo – Modo de operación "Cincelar": control eléctrico del número de revoluciones (Adaptive Speed Control) – Desconexión rápida (Kickback Control)
Soft iluminado	<p>El modo de trabajo Soft se utiliza para el mecanizado de materiales delicados.</p> <ul style="list-style-type: none"> – Modo de operación "Taladrar con percusión": EPC activo, aumento lento del número de revoluciones para un taladrado suave, hasta un 80 % del número de revoluciones máximo, para el taladrado de percusión en superficies delicadas – Modo de operación "Cincelar": control eléctrico del número de revoluciones (Adaptive Speed Control) ajustado aún más sensible – Desconexión rápida (Kickback Control) ajustada aún más sensible
Favorite iluminado	<p>En el modo de trabajo Favorite, la herramienta eléctrica se puede configurar individualmente mediante la aplicación del teléfono inteligente.</p> <ul style="list-style-type: none"> – Modo de operación "Taladrar con percusión" configurable en varios escalones: Potencia con número de revoluciones Control electrónico de potencia (Electronic Precision Control (EPC)) con velocidad de arranque – Modo de operación "Cincelar": control eléctrico del número de revoluciones (Adaptive Speed Control) conectable y desconectable – Sensibilidad de la desconexión rápida (Kickback Control) configurable hasta la desconexión

Funciones de conectividad

En combinación con el módulo *Bluetooth*® Low Energy Module GCY 42 están a disposición las siguientes funciones de conectividad para la herramienta eléctrica:

- Registro y personalización
- Comprobación de estado, emisión de mensaje de advertencia
- Informaciones generales y configuraciones
- Administración

Lea las correspondientes instrucciones de servicio respecto a las informaciones del módulo *Bluetooth*® Low Energy Module **GCY 42**.

El indicador del teléfono inteligente **(28)** está encendido, si la herramienta eléctrica envía una información (p. ej., advertencia de temperatura) a un aparato final a través de la tecnología de radiocomunicación inalámbrica *Bluetooth*®.

Instrucciones de trabajo

- ▶ **La herramienta eléctrica con el módulo *Bluetooth*® Low Energy Module GCY 42 montado está equipado con una radiointerfaz. Observar las limitaciones locales de servicio, p. ej. en aviones o hospitales.**
- ▶ **En las zonas, en las cuales no está permitido utilizar la tecnología de radiocomunicación *Bluetooth*®, se deben extraer el módulo *Bluetooth*® Low Energy Module GCY 42 y la pila en forma de botón.**

Indicación: La cubierta **(13)** sólo puede cerrarse de forma segura, si el módulo *Bluetooth*® Low Energy Module GCY 42 y la pila en forma de botón se encuentran en la herramienta eléctrica.

- Para **desactivar** el módulo *Bluetooth*® Low Energy Module GCY 42, de vuelta la pila en forma de botón o coloque un aislamiento entre la pila en forma de botón y el módulo *Bluetooth*® Low Energy Module GCY 42.
- Cierre la cubierta **(13)**, para que no penetre suciedad.

Amortiguador de vibraciones



La amortiguación de vibraciones integrada reduce las vibraciones que se producen.

- ▶ **No siga utilizando la herramienta eléctrica si estuviese dañado el elemento amortiguador.**

Indicaciones para el trato óptimo del acumulador

Proteja el acumulador de la humedad y del agua.

Únicamente almacene el acumulador en el margen de temperatura desde -20 °C hasta 50 °C. P.ej., no deje el acumulador en el coche en verano.

Limpie de vez en cuando las rejillas de refrigeración del acumulador con un pincel suave, limpio y seco.

Si después de una recarga, el tiempo de funcionamiento del acumulador fuese muy reducido, ello es señal de que éste está agotado y deberá sustituirse.

Observe las indicaciones referentes a la eliminación.

Mantenimiento y servicio

Mantenimiento y limpieza

- ▶ **Desmante el acumulador antes de manipular la herramienta eléctrica (p. ej. en el mantenimiento, cambio de útil, etc.) así como al transportarla y guardarla.** En caso contrario podría accidentarse al accionar fortuitamente el interruptor de conexión/desconexión.
- ▶ **Mantenga limpia la herramienta eléctrica y las rejillas de refrigeración para trabajar con eficacia y seguridad.**
- ▶ **Una caperuza guardapolvo dañada debe ser reemplazada inmediatamente. Se recomienda que este trabajo sea realizado por un servicio técnico.**
 - Limpie el portaútiles **(3)** tras cada uso.
 - Limpie el portaútiles tras cada uso.

Servicio técnico y atención al cliente

El servicio técnico le asesorará en las consultas que pueda Ud. tener sobre la reparación y mantenimiento de su producto, así como sobre piezas de recambio. Las representaciones gráficas tridimensionales e informaciones de repuestos se encuentran también bajo: **www.bosch-pt.com**

El equipo asesor de aplicaciones de Bosch le ayuda gustosamente en caso de preguntas sobre nuestros productos y sus accesorios.

Para cualquier consulta o pedido de piezas de repuesto es imprescindible indicar el nº de artículo de 10 dígitos que figura en la placa de características del producto.

Argentina

Robert Bosch Argentina Industrial S.A.
Calle Blanco Encalada 250 – San Isidro
B1642AMQ
Ciudad Autónoma de Buenos Aires
Tel.: (54) 11 5296 5200
E-Mail: herramientas.bosch@ar.bosch.com
www.argentina.bosch.com.ar

Chile

Robert Bosch Chile S.A.
Calle El Cacique, 0258 Providencia
7750000
Santiago de Chile
Tel.: (56) 02 782 0200
www.bosch.cl

Colombia

Robert Bosch Ltda
Av. Cra 45, # 108A-50, piso 7
Bogotá D.C.
Tel.: (57) 1 658 5010
www.colombia.bosch.com.co

Ecuador

Robert Bosch Sociedad Anónima
Av. Rodrigo Chávez Gonzalez, Parque Empresarial Colón,
Edif. Colconcorp Piso 1 Local 101-102
Guayaquil

Tel.: (593) 371 9100 ext. 214-215
E-mail: herramientas.bosch4@ec.bosch.com
www.boschherramientas.com.ec

México

Robert Bosch S. de R.L. de C.V.
Calle Robert Bosch No. 405
C.P. 50071 Zona Industrial, Toluca - Estado de México
Tel.: (52) 55 528430-62
Tel.: 800 6271286
www.bosch-herramientas.com.mx

Panamá

Robert Bosch Panamá, S.A.
Punta Pacifica, Av 8va Sur y Calle 56 Est Ed Paitilla
Of. Tower
Ciudad de Panamá
Tel.: (507) 301-0960
www.boschherramientas.com.pa

Perú

Robert Bosch S.A.C.
Av. Primavera 781 Piso 2, Urb. Chacarilla
San Borja Lima
Tel.: (51) 1 706 1100
www.bosch.com.pe

Venezuela

Robert Bosch S.A.
Calle Vargas con Buen Pastor, Edif. Alba, P-1, Boleita Norte,
Caracas 1071
Tel.: (58) 212 207-4511
www.boschherramientas.com.py

Bolivia

Hansa
Calle Yanacocha esp. Mercado # 1004
Casilla 10800. La Paz.
Tel. Hansa: (591) 2 240 7777
Tel. Bosch: 800 10 0014
www.hansaindustria.com.bo

Costa Rica

Cofersa
Pozos de Santa Ana, de Hules Técnicos 200 metros este
San José
Tel.: (506) 2205 2525
www.bosch.co.cr

Republica Dominicana

MDH SRL
Entre Privada y Caonabo lado Norte
Santo Domingo, Distrito Nacional
Tel.: (1) 534-3020
www.bosch.do

El Salvador

Proyesa
Calle Gerardo Barrios y 27 Av. Sur, # 1507
San Salvador
Tel.: (503) 2559 9999
www.bosch.com.sv

Guatemala

Edisa
8a. Calle 6-60, Zona 4
1004
Cuidad de Guatemala
Tel.: (502) 2494 0000
www.bosch.com.gt

Honduras

Indufesa
Av. Juan Pablo II cont. a Casa Presidencial
Tegucigalpa, Francisco Morazán
Tel.: (504) 0 239 9953
www.bosch.hn

Nicaragua

MADINISA
Km 3 Carretera Norte, Edificio Armando Guido 3c. abajo
Managua
Tel.: (505) 2249 8152
Tel.: (505) 2249 8153
www.bosch.nom.ni

Paraguay

Robert Bosch Sociedad Anonima
Av. General José de San Martín esq. Austria, Piso 8, oficina 5
1585
Asuncion
Tel.: (595) 994 972 168
www.bosch.com.py

Uruguay

Robert Bosch Uruguay S.A.
Av. Italia 7519, local A 004 (esq. Barradas)
11500
Montevideo
Tel.: (598) 2604 7010
E-mail: herramientas.bosch@uy.bosch.com
www.bosch.uy.com

Transporte

Los acumuladores de iones de litio incorporados están sujetos a los requerimientos estipulados en la legislación sobre mercancías peligrosas. Los acumuladores pueden ser transportados por carretera por el usuario sin más imposiciones. En el envío por terceros (p.ej., transporte aéreo o por agencia de transportes) deberán considerarse las exigencias especiales en cuanto a su embalaje e identificación. En este caso deberá recurrirse a los servicios de un experto en mercancías peligrosas al preparar la pieza para su envío.

Únicamente envíe acumuladores si su carcasa no está dañada. Si los contactos no van protegidos cúbralos con cinta adhesiva y embale el acumulador de manera que éste no se pueda mover dentro del embalaje. Observe también las prescripciones adicionales que pudieran existir al respecto en su país.

Eliminación



Las herramientas eléctricas, acumuladores, accesorios y embalajes deberán someterse a un proceso de recuperación que respete el medio ambiente.



¡No arroje las herramientas eléctricas, acumuladores o pilas a la basura!

Acumuladores/pilas:

iones de Litio:

Por favor, observe las indicaciones en el apartado Transporte (ver "Transporte", Página 47).



El símbolo es solamente válido, si también se encuentra sobre la placa de características del producto/fabricado.

Português do Brasil

Indicações de segurança

Avisos de segurança para ferramentas em geral

AVISO

Leia todos os avisos de segurança e todas as instruções. Falha em

seguir todos os avisos e instruções listados abaixo pode resultar em choque elétrico, fogo e/ou em ferimento sério.

Guarde todos os avisos e instruções para futura consultas.

O termo "ferramenta elétrica" em todos os avisos listados abaixo referem-se a ferramenta alimentada através de seu cordão de alimentação ou a ferramenta operada a bateria (sem cordão).

Segurança da área de trabalho

- ▶ **Mantenha a área de trabalho limpa e iluminada.** As áreas desorganizadas e escuras são um convite aos acidentes.
- ▶ **Não opere ferramentas em atmosferas explosivas, como na presença de líquidos inflamáveis gases ou poeira.** As ferramentas criam faíscas que podem inflamar a poeira ou os vapores.
- ▶ **Mantenha crianças e visitantes afastados ao operar uma ferramenta.** As distrações podem fazer você perder o controle.

Segurança elétrica

- ▶ **Os plugues da ferramenta devem ser compatíveis com as tomadas. Nunca modifique o plugue. Não use plugues de adaptador com ferramentas aterradas.** Os plugues sem modificações aliados a utilização de tomadas compatíveis reduzem o risco de choque elétrico.
- ▶ **Evite o contato do corpo com superfícies ligadas à terra ou aterradas tais como tubulações, radiadores, fornos e refrigeradores.** Há um aumento no risco de choque elétrico se seu corpo for ligado à terra ou aterramento.
- ▶ **Não exponha a ferramenta à chuva ou às condições úmidas.** A água entrando na ferramenta aumenta o risco de choque elétrico.
- ▶ **Não force o cordão de alimentação. Nunca use o cordão de alimentação para carregar, puxar ou para desconectar a ferramenta da tomada. Mantenha o cabo elétrico longe do calor, óleo, bordas afiadas ou de partes em movimento.** Os cabos danificados ou emaranhados aumentam o risco de choque elétrico.
- ▶ **Ao operar uma ferramenta ao ar livre, use um cabo de extensão apropriado para o uso ao ar livre.** O uso de um cabo de extensão apropriado ao ar livre reduz o risco de choque elétrico.
- ▶ **Se não for possível evitar o funcionamento da ferramenta elétrica em áreas úmidas, utilizar uma alimentação protegida por um dispositivo de corrente diferencial residual (DR).** O uso de um DR reduz o risco de um choque elétrico.

Segurança pessoal

- ▶ **Fique atento, olhe o que está fazendo e use o bom senso ao operar uma ferramenta. Não use a ferramenta quando estiver cansado ou sob a influência de drogas, álcool ou de medicamentos.** Um momento de desatenção enquanto opera uma ferramenta pode resultar em graves ferimento pessoal.
- ▶ **Use equipamento de segurança. Sempre use óculos de segurança.** O equipamento de segurança tal como a máscara de contra a poeira, sapatos de segurança antiderrapantes, capacete de segurança ou protetor auricular, utilizados em condições apropriadas reduzirão os riscos de ferimentos pessoais.
- ▶ **Evite a partida não intencional. Assegure-se de que o interruptor está na posição de desligado antes de conectar o plugue na tomada e/ou bateria, pegar ou carregar a ferramenta.** Carregar as ferramentas com o seu dedo no interruptor ou conectar as ferramentas que apresentam interruptor na posição "ligado", são convites a acidentes.
- ▶ **Remova qualquer chave de ajuste antes de ligar a ferramenta.** Uma chave de boca ou de ajuste conectada a uma parte rotativa da ferramenta pode resultar em ferimento pessoal.
- ▶ **Não force além do limite. Mantenha o apoio e o equilíbrio adequado toda vez que utilizar a**

ferramenta. Isto permite melhor controle da ferramenta em situações inesperadas.

- ▶ **Vista-se apropriadamente. Não use roupas demasiadamente largas nem joias. Mantenha seus cabelos, roupas e luvas longe das peças móveis.** A roupa folgada, joias ou cabelos longos podem ser presos pelas partes em movimento.
- ▶ **Se os dispositivos são fornecidos com conexão para extração e coleta de pó, assegure-se de que estes estão conectados e utilizados corretamente.** O uso destes dispositivos pode reduzir os riscos relacionados a poeiras.

Uso e cuidados da ferramenta

- ▶ **Não force a ferramenta. Use a ferramenta correta para a sua aplicação.** A ferramenta elétrica correta faz o trabalho melhor e mais seguro se utilizada dentro daquilo para a qual foi projetada.
- ▶ **Não use a ferramenta se o interruptor não ligar e desligar.** Qualquer ferramenta que não pode ser controlada com o interruptor é perigosa e deve ser reparada.
- ▶ **Desconecte o plugue da tomada e/ou remova a bateria da ferramenta antes de fazer qualquer tipo de ajuste, mudança de acessórios ou armazenamento de ferramenta.** Tais medidas de segurança preventivas reduzem o risco de se ligar a ferramenta acidentalmente.
- ▶ **Guarde as ferramentas fora do alcance das crianças e não permita que pessoas não familiarizadas com a ferramenta ou com estas instruções operem a ferramenta.** As ferramentas são perigosas nas mãos de usuários não treinados.
- ▶ **Manutenção das ferramentas. Cheque o desalinhamento ou coesão das partes móveis, rachaduras e qualquer outra condição que possa afetar a operação da ferramenta. Se danificada, a ferramenta deve ser reparada antes do uso.** Muitos acidentes são causados pela inadequada manutenção das ferramentas.
- ▶ **Mantenha as ferramentas de corte afiadas e limpas.** A manutenção apropriada das ferramentas de corte com lâminas afiadas tornam estas menos prováveis ao emperramento e são mais fáceis de controlar.
- ▶ **Use a ferramenta, acessórios, suas partes etc. de acordo com instruções e na maneira designada para o tipo particular da ferramenta levando em consideração as condições de trabalho a ser desempenhado.** O uso da ferramenta em operações diferentes das designadas podem resultar em uma situação de risco.

Uso e cuidados para ferramenta alimentadas por bateria

- ▶ **Recarregar somente com o carregador especificado pelo fabricante.** Um carregador que é adequado para um tipo de bateria pode gerar risco de fogo quando utilizado com outro tipo de bateria.

- ▶ **Use as ferramentas somente com as baterias especificamente designadas.** O uso de outro tipo de bateria pode gerar risco de ferimento e fogo.
- ▶ **Quando a bateria não estiver em uso, mantenha-o afastado de objetos metálicos como clips, moedas, chaves, pregos, parafusos ou outros objetos metálicos pequenos que podem fazer a ligação de um terminal com o outro.** O curto-circuito dos terminais da bateria pode gerar queimaduras ou fogo.
- ▶ **Sob condições abusivas, líquidos podem vaziar ser expelidos pela bateria; evite o contato. Se o contato acidental ocorrer, lave com água. Se estes líquidos entrarem em contato com os olhos, procure ajuda médica.** Líquido expelido pela bateria podem causar irritação ou queimaduras.

Reparos

- ▶ **Tenha sua ferramenta reparada por um agente de reparos qualificado e que use somente peças originais.** Isto irá assegurar que a segurança da ferramenta seja mantida.

Avisos de segurança para martelos

- ▶ **Use protetores auriculares.** A exposição ao ruído pode causar perda de audição.
- ▶ **Use a(s) empunhadoreira(s) auxiliar(es), se fornecida(s) com a ferramenta.** A perda de controle pode causar danos pessoais.
- ▶ **Segure a ferramenta elétrica pelas superfícies isoladas de manuseio, ao realizar uma operação na qual o acessório de corte possa entrar em contato com a fiação não aparente.** O contato do acessório de corte a um fio "vivo" pode tornar "vivas" as partes metálicas expostas da ferramenta e pode resultar ao operador um choque elétrico.
- ▶ **Utilizar detectores apropriados, para encontrar cabos escondidos, ou consultar a companhia elétrica local.** O contato com cabos elétricos pode provocar fogo e choques elétricos. Danos em tubos de gás podem levar a explosões. A penetração em um cano de água causa danos materiais.
- ▶ **Espere a ferramenta elétrica parar completamente, antes de depositá-la.** O acessório acoplável pode emperrar e levar à perda de controle sobre a ferramenta elétrica.
- ▶ **Fixar a peça a ser trabalhada.** Uma peça a ser trabalhada fixa com dispositivos de aperto ou com um torno de bancada está mais firme do que segurada com a mão.
- ▶ **Em caso de danos e de utilização incorreta da bateria, podem escapar vapores. A bateria pode incendiar-se ou explodir.** Arejar bem o local de trabalho e consultar um médico se forem constatados quaisquer sintomas. Os vapores podem irritar as vias respiratórias.
- ▶ **Não abra a bateria.** Existe perigo de curto-circuito.
- ▶ **A bateria pode ser danificada com objetos pontiagudos como p. ex. prego ou chave de parafusos**

ou devido à influência de força externa. Pode ocorrer um curto-circuito interno e a bateria pode arder, deitar fumo, explodir ou sobreaquecer.

- **Usar a bateria apenas em produtos do fabricante.** Só assim é que a bateria fica protegida contra sobrecarga perigosa.



Proteja a bateria do calor, p. ex. radiação solar permanente, fogo, sujeira, água e umidade. Há risco de explosão ou de um curto-circuito.



- **Durante o trabalho, segure a ferramenta elétrica com as duas mãos e providencie uma estabilidade segura.** A ferramenta elétrica se deixa conduzir de forma segura com as duas mãos.
- **Cuidado! Durante a utilização da ferramenta elétrica com Bluetooth® podem ocorrer falhas noutros aparelhos e instalações, aviões e aparelho médicos (p. ex. marca-passos, aparelhos auditivos. Também não é possível excluir lesões em pessoas e animais nas imediações. Não utilize a ferramenta elétrica com Bluetooth® nas proximidades de aparelhos médicos, estações de serviço, instalações químicas, áreas com perigo de explosão e em áreas de detonação. Não utilize a ferramenta elétrica com Bluetooth® em aviões. Evite o funcionamento durante um longo período de tempo junto ao corpo.**

A marca nominativa *Bluetooth®* bem como os símbolos gráficos (logótipos) são marcas registradas e propriedade da Bluetooth SIG, Inc. Qualquer utilização destes símbolos gráficos/marca nominativa pela Robert Bosch Power Tools GmbH é feita ao abrigo de licença.

Descrição do produto e especificações



Ler todas as indicações de segurança e instruções. O desrespeito das advertências e das instruções de segurança apresentadas abaixo pode causar choque elétrico, incêndio e/ou graves lesões.

Respeite as ilustrações na parte da frente do manual de instruções.

Utilização adequada

A ferramenta elétrica se destina a furar com impacto em concreto, alvenaria e pedra, assim como trabalhos de cinzelagem ligeiros a médios.

As ferramentas elétricas com bloqueio da função de impacto ou mandril para broca de perfuração também se adequam para furar sem impacto em madeira, metal, cerâmica e plástico.

Os dados e ajustes da ferramenta elétrica podem ser transferidos entre a ferramenta elétrica e um aparelho terminal móvel com o *Bluetooth®* Low Energy Module GCY 42 inserido através de tecnologia de radiotransmissão *Bluetooth®*.

Componentes ilustrados

A numeração dos componentes ilustrados refere-se à apresentação da ferramenta elétrica na página de esquemas.

- (1) Mandril substituível de aperto rápido com bloqueio de percussão integrado
- (2) Bucha substituível SDS-plus
- (3) Mandril SDS-plus
- (4) Tampa contra o pó
- (5) Anel de travamento
- (6) Anel de travamento bucha substituível
- (7) Interruptor combinado para os modos de operação e rotação à direita/à esquerda
- (8) Amortecedor de vibrações
- (9) Botão de segurança do interruptor de ligar/desligar
- (10) Punho (superfície de aderência isolada)
- (11) Interruptor de ligar/desligar
- (12) Bateria^{A)}
- (13) Cobertura do *Bluetooth®* Low Energy Module GCY 42
- (14) Luz de trabalho
- (15) Tecla para ajuste do limitador de profundidade
- (16) Punho adicional (superfície de aderência isolada)
- (17) Limitador de profundidade
- (18) Botão de destravamento da bateria^{A)}
- (19) Interface de usuário
- (20) Encaixe da bucha
- (21) Soquete dianteiro do mandril substituível de aperto rápido
- (22) Anel de fixação do mandril substituível de aperto rápido
- (23) Indicador do nível de carga da bateria (interface de usuário)
- (24) Indicação do desligamento rápido (Kickback Control) (interface de usuário)
- (25) Indicação dos modos de trabalho (interface de usuário)
- (26) Botão para seleção do modo de trabalho (interface de usuário)
- (27) Indicação de estado da ferramenta elétrica (interface de usuário)
- (28) Indicação Smartphone (interface de usuário)
- (29) Indicação de temperatura (interface de usuário)

A) **Acessórios apresentados ou descritos não pertencem ao volume de fornecimento. Todos os acessórios encontram-se no nosso catálogo de acessórios.**

Dados técnicos

Martelo perfurador sem fio (Cordless)	GBH 18V-34 CF
Nº do produto	3 611 J14 0..

Martelo perfurador sem fio (Cordless) GBH 18V-34 CF

Tensão nominal	V=	18
Potência nominal consumida	W	750
Número de impactos ^{A)}	min ⁻¹	0–2900
Intensidade de impacto individual de acordo com EPTA-Procedure 05:2016	J	5,8
Velocidade Nominal		
– Rotação à direita (sentido horário)	min ⁻¹	0–500
– Rotação à esquerda	min ⁻¹	0–500
Mandril		SDS-plus
Diâmetro do fuso	mm	74
Diâmetro máx. de perfuração:		
– Concreto	mm	32
– Alvenaria (com broca de coroa oca)	mm	40–82
– Aço	mm	13
– Madeira	mm	40
Peso conforme EPTA-Procedure 01:2014 ^{A)}	kg	5,2–6,3
Comprimento	mm	430
Altura	mm	250
Temperatura ambiente recomendada ao carregar	°C	0 ... +35
Temperatura ambiente admissível durante o funcionamento ^{B)} e durante armazenamento	°C	-20 ... +50
Baterias compatíveis		GBA 18V... ProCORE18V...
Baterias recomendadas para desempenho total		ProCORE18V... ≥ 5,5 Ah
Carregadores recomendados		GAL 18... GAX 18V... GAL 36...

Transferência de dados

<i>Bluetooth</i> [®]		<i>Bluetooth</i> [®] 4.2 (Low Energy) ^{C)}
Distância do sinal	s	8
Alcance máximo do sinal ^{D)}	m	30

A) depende da bateria utilizada

B) potência limitada a temperaturas <0 °C

C) Os aparelhos terminais móveis devem ser compatíveis com aparelhos *Bluetooth*-Low-Energy (versão 4.2) e suportar o Generic Access Profile (GAP).

D) O alcance pode variar muito em função das condições exteriores, incluindo o aparelho de recepção utilizado. No interior de recintos fechados e devido a barreiras metálicas (p. ex. paredes, estantes, malas, etc.) o alcance do sinal *Bluetooth*[®] pode ser nitidamente mais baixo.

Informação sobre ruídos/vibrações

Os valores de emissão de ruído foram determinados de acordo com **EN 60745-2-6**.

O nível sonoro avaliado A da ferramenta elétrica é normalmente: nível de pressão sonora **89 dB(A)**; nível de potência sonora **100 dB(A)**. Incerteza K = **3 dB**.

Use proteção auditiva!

Valores totais de vibração a_{h} (soma vetorial nas três direções) e incerteza K determinada em função da **EN 60745-2-6**:

Furar com martelo em concreto: $a_{\text{h}} = 11 \text{ m/s}^2$, K = **1,5** m/s^2 ,

Cinzelar: $a_{\text{h}} = 11 \text{ m/s}^2$, K = **2,8** m/s^2 ,

Furar metal: $a_{\text{h}} = 2,5 \text{ m/s}^2$, K = **1,5** m/s^2 .

O nível de vibrações indicado nestas instruções foi medido de acordo com um método de medição padronizado e pode ser usado para comparar ferramentas elétricas entre si. Ele também é apropriado para uma avaliação provisória da carga de vibrações.

O nível de vibrações indicado representa as aplicações principais da ferramenta elétrica. No entanto, se a ferramenta elétrica for usada para outras aplicações, com diferentes acessórios acopláveis ou com manutenção insuficiente, o nível de vibrações pode ser diferente. Isto pode aumentar a carga de vibrações durante o completo período de trabalho.

Para uma estimativa exata da carga de vibrações, também deveriam ser considerados os períodos nos quais o aparelho está desligado ou funciona sem estar sendo utilizado. Isto pode reduzir a carga de vibrações durante o completo período de trabalho.

Além disso também deverão ser estipuladas medidas de segurança para proteger o operador contra o efeito de vibrações, como por exemplo: a manutenção das ferramentas elétricas e dos acessórios acopláveis, mãos quentes durante o trabalho e a organização dos processos de trabalho.

Montagem

- ▶ **Antes de qualquer trabalho na ferramenta elétrica (p. ex. manutenção, troca de acessório, etc.), assim como para transporte e armazenamento, pressione o botão de segurança para bloquear o interruptor de ligar/desligar.** Em caso de acionamento inadvertido do interruptor de ligar/desligar existe perigo de ferimentos.

Colocar o **Bluetooth® Low Energy Module GCY 42**

Para informações sobre **Bluetooth® Low Energy Module GCY 42**, leia o guia de usuário associado.

Carregar a bateria

- ▶ **Utilize somente os carregadores indicados nos dados técnicos.** Somente estes carregadores são adequados para a bateria de íons de lítio utilizada na sua ferramenta elétrica.

Nota: A bateria é fornecida parcialmente carregada. Para assegurar a completa potência da bateria, a bateria deverá ser carregada completamente no carregador antes da primeira utilização.

A bateria de íons de lítio pode ser carregada a qualquer momento, sem que a sua vida útil seja reduzida. Uma interrupção do processo de carga não danifica a bateria.

A bateria de íons de lítio está protegida contra descarga profunda através da "Electronic Cell Protection (ECP)". Quando a bateria fica descarregada, a ferramenta elétrica se desliga através do desligamento de proteção: a ferramenta de trabalho não se move mais.

- ▶ **Depois do desligamento automático da ferramenta elétrica, não continue pressionando o interruptor de ligar/desligar.** Isso pode danificar a bateria.

Observar a indicação sobre a eliminação de forma ecológica.



Remover a bateria

A bateria **(12)** dispõe de dois níveis de bloqueio que devem evitar que a bateria caia se for pressionado inadvertidamente o botão de destravamento da bateria **(18)**. Enquanto a bateria estiver na ferramenta elétrica, ele será mantido em posição por meio de uma mola.

- Para retirar a bateria **(12)** pressione o botão de destravamento **(18)** e puxe a bateria para fora da ferramenta elétrica. **Ao fazê-lo, não aplique força.**

Indicador do nível de carga da bateria

Os LEDs verdes do indicador do nível de carga da bateria mostram o nível de carga da bateria. Por motivos de segurança, a consulta do nível de carga só é possível com a ferramenta elétrica parada.

Pressione a tecla para o indicador do nível de carga  ou  para exibir o nível de carga. Isto também é possível com a bateria removida.

Se depois de pressionar a tecla para o indicador do nível de carga não acender nenhum LED, a bateria tem defeito ou tem de ser substituída.

Nota: O nível de carga da bateria também é exibido na interface de usuário **(19)** Indicadores de estado.

Tipo de bateria GBA 18V...



LEDs	Capacidade
Luz permanente 3 x verde	60-100 %
Luz permanente 2 x verde	30-60 %
Luz permanente 1 x verde	5-30 %
Luz intermitente 1 x verde	0-5 %

Tipo de bateria ProCORE18V...

LEDs	Capacidade
Luz permanente 5 x verde	80–100 %
Luz permanente 4 x verde	60–80 %
Luz permanente 3 x verde	40–60 %
Luz permanente 2 x verde	20–40 %
Luz permanente 1 x verde	5–20 %
Luz intermitente 1 x verde	0–5 %

Punho adicional

- Use sua ferramenta elétrica apenas com o punho adicional (16).

Rodar o punho adicional (ver figura A)

É possível rodar o punho adicional (16) em posições diferentes se desejar, para obter uma posição de trabalho segura sem fazer esforço.

- Rode a parte de pegar do punho adicional (16) contra o sentido dos ponteiros do relógio e oscile o punho adicional (16) para a posição desejada. A seguir rode a parte de pegar do punho adicional (16) para a direita para voltar a apertar.
Se certifique de que a cinta de aperto do punho adicional se encontra na ranhura prevista na carcaça.

Ajustar a profundidade de furação (ver figura B)

Com o limitador de profundidade (17) pode ser ajustada a profundidade de furação X desejada.

- Pressione o botão para o ajuste do limitador de profundidade (15) e coloque o limitador de profundidade no punho adicional (16).
As estrias no limitador de profundidade (17) têm de apontar para baixo.
- Coloque a ferramenta de trabalho SDS-plus até o batente no mandril SDS-plus (3). A movimentação do mandril SDS-plus pode originar um ajuste errado da profundidade de perfuração.
- Puxe o limitador de profundidade para fora até a distância entre a ponta da broca e a ponta do limitador de profundidade corresponda à profundidade de furação X desejada.

Selecionar o mandril e ferramentas

Para furar com martelo e cinzelar necessita de ferramentas SDS-plus, que são colocados no mandril SDS-plus.

Para furar sem impacto em madeira, metal, cerâmica e plástico, assim como para parafusar são usadas ferramentas sem SDS-plus (p. ex. broca com mandril cilíndrico). Para estas ferramentas necessita do mandril substituível de aperto rápido (1) com bloqueio de percussão integrado.

Nota: Apenas com o mandril substituível de aperto rápido (1) com bloqueio de percussão integrado se garante que as ferramentas utilizadas não são danificadas.

Retirar/colocar mandril de broca substituível**Retirar o mandril substituível (ver figura C)**

- Puxe o anel de travamento do mandril substituível (6) para trás, mantenha-o na posição e puxe o mandril substituível SDS-plus (2) ou o mandril substituível de aperto rápido (1) para a frente para o retirar.
- Proteja contra sujeira o mandril substituível depois de o retirar.

Colocar o mandril substituível (ver figura D)

- Limpe o mandril substituível antes de o usar e lubrifique ligeiramente a haste de encaixe.
- Segure o mandril substituível SDS-plus (2) ou o mandril substituível de aperto rápido (1) com a mão toda. Deslize o mandril substituível girando-o no encaixe (20), até se ouvir claramente o engate.
- O mandril substituível se autobloqueia. Verifique o travamento, puxando o mandril substituível.

Troca de ferramenta

A tampa contra o pó (4) evita a penetração de pó de furação no mandril durante o funcionamento. Ao inserir a ferramenta, se certifique de que a tampa contra o pó (4) não fica danificada.

- Uma tampa contra o pó danificada deve ser imediatamente substituída. Essa substituição deve ser feita pelo Serviço de Assistência Técnica.

Troca de ferramenta (SDS-plus)**Inserir a ferramenta de trabalho SDS-plus (ver figura E)**

Com o mandril SDS-plus pode substituir de forma fácil e confortável a ferramenta de trabalho sem necessidade chave.

- Coloque o mandril substituível SDS-plus (2).
- Limpe a haste de encaixe da ferramenta de trabalho e lubrifique ligeiramente.
- Introduza a ferramenta de trabalho no mandril girando-o até este se travar automaticamente.
- Puxe a ferramenta para verificar o travamento.

A ferramenta de trabalho SDS-plus, condicionada pelo sistema, se move livremente. Assim surge um desvio da rotação na marcha em vazio. Isto não tem qualquer efeito na exatidão do furo, uma vez que a broca se centra sozinha ao perfurar.

Retirar a ferramenta de trabalho SDS-plus (ver figura F)

- Deslize o anel de travamento (5) para trás e retire a ferramenta de trabalho.

Troca de ferramenta (sem SDS-plus)

Introduzir a ferramenta de trabalho (ver figura G)

Nota: Não use ferramentas sem SDS-plus para furar com martelo ou cinzelar! As ferramentas sem SDS-plus e o mandril são danificados ao furar com martelo e cinzelar.

- Coloque o mandril substituível de aperto rápido (1) com o bloqueio de percussão integrado.

Nota: Use exclusivamente o mandril substituível de aperto rápido específico para o **GBH 18V-34 CF** com bloqueio de percussão integrado. Apenas com este mandril se garante que o mecanismo pneumático de percussão do martelo perfurador não danifica as ferramentas de trabalho.

- Segure o anel de fixação (22) do mandril substituível de aperto rápido. Abra o mandril girando o anel da frente (21) até que seja possível inserir a ferramenta. Segure o anel de fixação (22) e gire o anel da frente (21) com força no sentido da seta, até que se consiga ouvir claramente ruídos de matraqueamento.
- Verifique o assento correto, puxando na ferramenta.

Nota: Se o mandril tiver sido aberto até o batente, se pode ouvir um ruído de matraqueamento ao fechar o mandril e o mesmo não se fecha.

Nesse caso, gire o anel da frente (21) uma vez no sentido oposto ao da seta. A seguir já se pode fechar o mandril.

- Gire o interruptor (7) para a posição "Furar".

Retirar a ferramenta de trabalho (ver figura H)

- Segure o anel de fixação (22) do mandril substituível de aperto rápido. Abra o mandril girando o anel da frente (21) no sentido da seta, até que seja possível remover a ferramenta.

Aspiração de pó/de aparas

Pós de materiais, como por exemplo, tintas que contêm chumbo, alguns tipos de madeira, minerais e metais, podem ser nocivos à saúde. O contato com o pó ou sua inalação pode provocar reações alérgicas e/ou doenças nas vias respiratórias do utilizador ou das pessoas que se encontrem por perto.

Certos pós, como por exemplo pó de carvalho e faia são considerados cancerígenos, especialmente quando juntos com substâncias para o tratamento de madeiras (cromato, preservadores de madeira). Material que contem amianto só deve ser processado por pessoal especializado.

- Se possível, deverá utilizar uma aspiração de pó.
- Assegurar uma boa ventilação do local de trabalho.
- É recomendável usar uma máscara de proteção respiratória com filtro da classe P2.

Observe as diretrizes, vigentes no seu país, relativas aos materiais a serem trabalhados.

- ▶ **Evitar acúmulos de pó no local de trabalho.** Pós podem se inflamar levemente.

Funcionamento

Colocando em funcionamento

- ▶ Se certifique de que a cobertura (13) do *Bluetooth*[®] Low Energy Module GCY 42 está fechada durante o funcionamento. Dessa forma se evita a entrada de pó.

Colocar a bateria

- ▶ **Use apenas baterias de íons de lítio originais Bosch com a tensão indicada na placa de características da sua ferramenta elétrica.** O uso de outras baterias pode causar ferimentos ou perigo de incêndio.
- Pressione o botão de segurança (9), para proteger a ferramenta elétrica de ser ligada acidentalmente.
- Insira a bateria (12) carregada nos contatos de carga da carcaça, até que bloqueie de forma segura.

Ajustar o modo de operação (ver figura I)


Com o interruptor combinado (7) selecione o modo de operação da ferramenta elétrica.

Nota: Altere o modo de operação apenas com a ferramenta elétrica desligada! Caso contrário, a ferramenta elétrica pode ser danificada.

Nota: Se alterar o modo de operação enquanto o interruptor de ligar/desligar está travado, a ferramenta elétrica se desliga.

- Para alterar o modo de operação, gire o interruptor combinado (7) para a posição desejada, até que este encaixe de forma audível.

 Posição para **furar com martelo** em concreto ou pedra

 **GBH 18V-34 CF** com mandril substituível de aperto rápido (1): posição para **furar** sem impacto em madeira, metal, cerâmica e plástico (**rotação à direita**)

 Posição para **rotação à esquerda** para soltar a ferramenta de trabalho da peça

 Posição **Vario-Lock** para ajustar a posição de cinzelamento.

 Posição para **cinzelar**

Ligar e desligar

- Se necessário, solte o botão de segurança (9) para o interruptor de ligar/desligar.
- Para **ligar** a ferramenta elétrica, pressione o interruptor de ligar/desligar (11).

A lâmpada acende com o interruptor de ligar/desligar **(11)** ligeira ou totalmente pressionado e permite iluminar o local de trabalho com condições de luminosidade desfavoráveis.

- Para **desligar** a ferramenta elétrica, solte o interruptor de ligar/desligar **(11)**.

Ajustar número de rotações/impactos

É possível regular o número de rotações/impactos da ferramenta elétrica ligada, dependendo do quanto o interruptor de ligar/desligar **(11)** é pressionado.

Uma leve pressão no interruptor de ligar/desligar **(11)** origina um número de rotações/impactos baixo.

Aumentando a pressão aumenta o número de rotações/impactos.

Também é possível ajustar o número de rotações na interface de usuário ou através da aplicação para smartphone (ver "Selecionar o modo de trabalho", Página 56).

Alteração do ajuste do cinzel (Vario-Lock)

É possível fixar o cinzel em **16** várias posições. Desta forma você consegue sempre a posição de trabalho ideal.

- Coloque o cinzel no mandril.
- Gire o interruptor combinado **(7)** para a posição "Vario-Lock".
- Gire a ferramenta de trabalho para a posição de cinzelagem desejada.
- Gire o interruptor combinado **(7)** para a posição "Cinzelar". Desta forma, o mandril está bloqueado.

Cinzelar com função de travamento

Para cinzelar por mais tempo sem pressionar permanentemente o interruptor de ligar/desligar **(11)** fixe o interruptor de ligar/desligar no modo de operação "Cinzelar".

- Para **fixar** pressione o interruptor de ligar/desligar **(11)** pressione o interruptor de ligar/desligar até o batente e pressione simultaneamente o botão de segurança **(9)**.
- Para desligar, pressione novamente o botão de segurança **(9)**.

Nota: Se alterar o modo de operação enquanto o interruptor de ligar/desligar está travado, a ferramenta elétrica se desliga.

Embraiagem de segurança contra sobrecarga

- ▶ **Se a ferramenta de trabalho ficar presa, o acionamento do veio da broca é interrompido. Segure,**

Indicadores de estado

Indicador do nível de carga da bateria (interface de usuário) (23)	Significado/causa	Solução
verde (2 a 5 barras)	Bateria carregada	–
amarelo (1 barra)	Bateria quase vazia	Substituir ou carregar a bateria em breve
vermelho (1 barra)	Bateria vazia	Substituir ou carregar a bateria

devido às forças que ocorrem, a ferramenta elétrica sempre bem com ambas as mãos e mantenha uma postura firme.

- ▶ **Desligue a ferramenta elétrica e solte a ferramenta de trabalho, quando a ferramenta elétrica bloqueia. Ao ligar com a ferramenta para furar bloqueada, ocorrem torques de reação elevados.**

Desligamento rápido (Kickback Control)



O desligamento rápido (Kickback Control) oferece um melhor controle sobre a ferramenta elétrica e aumenta assim a proteção do usuário em comparação à ferramentas elétricas sem o controle de recuo. Em caso de uma rotação repentina e imprevista da ferramenta elétrica sobre o eixo de perfuração, a ferramenta elétrica se desliga, a indicação do desligamento rápido **(24)** se acende e a luz de trabalho **(14)** pisca. Com o desligamento rápido ativo, pisca a indicação de estado **(27)** em vermelho.

- Para a **recolocação em funcionamento** solte o interruptor de ligar/desligar **(11)** e pressione-o de novo.

Electronic Precision Control (EPC)

O sistema EPC o apoia em trabalhos com impacto através de uma partida lenta das rotações de trabalho para um trabalho preciso.

Controle das rotações elétrico (Adaptive Speed Control) no modo de operação "Cinzelar"



Para um melhor controle e uma aplicação precisa, a ferramenta elétrica inicia com um número de rotações reduzido, aumentando-o depois de forma rápida até o número de rotações máximo. O controle das rotações elétrico é ativado automaticamente com a aplicação da ferramenta elétrica.

Interface de usuário (ver figura J)

A interface de usuário **(19)** é utilizada para a seleção do modo de trabalho bem como para a indicação do estado da ferramenta elétrica.

Indicação de temperatura (29)	Significado/causa	Solução
amarelo	A temperatura de serviço da bateria ou da ferramenta elétrica aumenta significativamente, o desempenho é reduzido	Deixar a ferramenta elétrica funcionar ociosamente para esfriar ou substituir a bateria sobreaquecida
vermelho	A temperatura de serviço da bateria ou da ferramenta elétrica foi ultrapassada. Como medida de segurança, a ferramenta elétrica é desligada	Deixar a ferramenta elétrica esfriar ou substituir a bateria sobreaquecida

Indicação de estado da ferramenta elétrica (27)	Significado/causa	Solução
verde	Estado OK	–
amarelo	Temperatura crítica atingida ou bateria quase vazia	Deixar a ferramenta elétrica funcionar ociosamente para esfriar ou trocar ou carregar bateria em breve
vermelho	A ferramenta elétrica está superaquecida ou a bateria está vazia	Deixar a ferramenta elétrica esfriar ou troque ou carregue a bateria
vermelho	Botão de segurança no modo de operação "Furar com martelo" acionado	Pressionar novamente o botão de segurança
	Interruptor combinado acionado durante o funcionamento	Desligar e ligar a ferramenta elétrica
	O motor está bloqueado, bateria muito fraca	Carregar a bateria ou utilizar o tipo de bateria recomendado
vermelho intermitente – em combinação com a indicação do desligamento rápido (24)	Erro geral	– Desligar e ligar a ferramenta elétrica ou remover e voltar a colocar a bateria Se o erro persistir: – enviar a ferramenta elétrica ao Serviço de Assistência Técnica
	O desligamento rápido se ativou	Desligar e ligar a ferramenta elétrica
azul intermitente	A ferramenta elétrica está ligada ao aparelho terminal móvel ou as configurações estão sendo transferidas	–

Indicação de estado do smartphone (28)	Significado/causa	Solução
verde	Informações adicionais disponíveis (p. ex. informações comerciais)	Se estiver interessado, leia a mensagem no smartphone
amarelo	Informações importantes disponíveis (p. ex. aviso de temperatura)	Leia a mensagem no smartphone
vermelho	Informações críticas para a operação disponíveis (p. ex. parada do motor devido a erro na unidade do microcontrolador)	Ler a mensagem no smartphone de imediato

Selecionar o modo de trabalho

- Pressione a tecla (26) para escolher o modo de trabalho o número de vezes necessárias até acender o modo de trabalho desejado.

Nota: No modo de trabalho **Favorite** são configuradas as funções através do aplicativo para smartphone, nos modos de trabalho **Auto** e **Soft** as funções estão predefinidas.

Indicação do modo de trabalho (25)	Funções
Auto <small>aceso</small>	<p>No modo de trabalho Auto, a ferramenta elétrica atinge a potência máxima.</p> <ul style="list-style-type: none"> – Modo de operação "Furar com martelo": aumento rápido do número de rotações para uma centragem prévia da broca controlada até 100 % do número de rotações máximo – Modo de operação "Cinzelar": controle das rotações elétrico (Controle adaptativo de velocidade) – Desligamento rápido (Kickback Control)
Soft <small>aceso</small>	<p>O modo de trabalho Soft é utilizado para processar materiais sensíveis.</p> <ul style="list-style-type: none"> – Modo de operação "Furar com martelo": EPC ativo, aumento lento do número de rotações para começar a furar com suavidade até 80 % do número de rotações máximo para furar com martelo em superfícies sensíveis – Modo de operação "Cinzelar": controle das rotações elétrico (Controle adaptativo de velocidade) com uma regulagem ainda mais sensível – Desligamento rápido (Kickback Control) com uma regulagem ainda mais sensível
Favorite <small>aceso</small>	<p>No modo de trabalho Favorite, é possível configurar individualmente a ferramenta elétrica através da aplicação para smartphone.</p> <ul style="list-style-type: none"> – Modo de operação "Furar com martelo" configurável em vários níveis: Desempenho através do número de rotações Electronic Precision Control (EPC): velocidade de arranque – Modo de operação "Cinzelar": controle das rotações elétrico (Controle adaptativo de velocidade) pode ser ligado e desligado – Sensibilidade do desligamento rápido (Kickback Control) configurável até o desligamento

Funções Connectivity

Juntamente com o *Bluetooth*® Low Energy Module GCY 42 são disponibilizadas as seguintes funções Connectivity para a ferramenta elétrica:

- Registro e personalização
- Verificação do estado, emissão de mensagens de aviso
- Informações gerais e ajustes
- Gestão

Para informações sobre *Bluetooth*® Low Energy Module GCY 42, leia o guia de usuário associado.

A indicação Smartphone **(28)** se acende, se a ferramenta elétrica enviar uma informação (p. ex. aviso de temperatura) via tecnologia de radiotransmissão *Bluetooth*® a um aparelho terminal móvel.

Indicações de trabalho

- ▶ **A ferramenta elétrica com *Bluetooth*® Low Energy Module GCY 42 inserido, está equipada com uma interface de comunicação. Devem ser observadas as restrições de operação locais, p. ex. em aviões ou hospitais.**
- ▶ **Nas áreas onde a tecnologia de radiotransmissão *Bluetooth*® não pode ser usada, têm de ser retirados o *Bluetooth*® Low Energy Module GCY 42 e a bateria de botão.**

Nota: A cobertura **(13)** só pode ser fechada em segurança se o *Bluetooth*® Low Energy Module GCY 42 e a bateria de botão se encontrarem na ferramenta elétrica.

- Para **desativar** o *Bluetooth*® Low Energy Module GCY 42 rode a pilha de botão ou coloque um isolamento entre a

pilha de botão e o *Bluetooth*® Low Energy Module GCY 42.

- Feche a tampa **(13)**, para que não entre sujeira.

Amortecimento das vibrações

 O amortecimento das vibrações integrado reduz a ocorrência de vibrações.

- ▶ **Não continue a usar a ferramenta elétrica se o elemento amortecedor estiver danificado.**

Indicações para o manuseio ideal da bateria

Proteja a bateria de umidade e água.

Armazene a bateria apenas numa faixa de temperatura de – 20 °C até 50 °C. Não deixe a bateria p. ex. dentro de um veículo no verão.

Limpe ocasionalmente as aberturas de ventilação da bateria com um pincel macio, limpo e seco.

Uma autonomia consideravelmente inferior após um carregamento, indica que a bateria está gasta e tem de ser substituída.

Observar a indicação sobre a eliminação de forma ecológica.

Manutenção e serviço

Manutenção e limpeza

- ▶ **Retire a bateria da ferramenta elétrica antes de qualquer trabalho na ferramenta elétrica (p. ex. manutenção, troca de acessório, etc.), assim como para transporte e armazenamento da mesma.** Em caso de acionamento inadvertido do interruptor de ligar/desligar existe perigo de ferimentos.

- ▶ **Manter a ferramenta elétrica e as aberturas de ventilação sempre limpas, para trabalhar bem e de forma segura.**
- ▶ **Uma tampa contra o pó danificada deve ser imediatamente substituída. Essa substituição deve ser feita pelo Serviço de Assistência Técnica.**
 - Limpe o suporte da ferramenta(3) após cada utilização.
 - Limpe o suporte da ferramenta após cada utilização.

Serviço pós-venda e assistência ao cliente

O serviço pós-venda responde às suas perguntas a respeito de serviços de reparação e de manutenção do seu produto, assim como das peças sobressalentes. Desenhos explodidos e informações sobre peças sobressalentes também em:

www.bosch-pt.com

A nossa equipe de consultores Bosch esclarece com prazer todas as suas dúvidas a respeito dos nossos produtos e acessórios.

Indique em todas as questões ou encomendas de peças sobressalentes impreterivelmente a referência de 10 dígitos de acordo com a placa de características do produto.

Brasil

Robert Bosch Ltda. – Divisão de Ferramentas Elétricas
Rodovia Anhanguera, Km 98 - Parque Via Norte
13065-900, CP 1195
Campinas, São Paulo
Tel.: 0800 7045 446
www.bosch.com.br/contato

Angola

Robert Bosch Ltd
Divisão de Ferramentas Elétricas
Estrada de Cacucaco 288
Luanda
Tel. : +244 927 584 446
<http://www.bosch-professional.com/ao/pt/>

Transporte

As baterias de lítio incluídas estão em conformidade com os requisitos da regulamentação do transporte de mercadorias perigosas. Os acumuladores podem ser transportados pelo utilizador, nas vias públicas, sem mais nenhuma obrigação.

No caso de envio através de terceiros (p. ex.: transporte aéreo ou transitário) é necessário respeitar os requisitos especiais para a embalagem e identificação. Neste caso, para a preparação da embalagem é necessário consultar um perito no transporte de mercadorias perigosas.

Só enviar acumuladores se a carcaça não estiver danificada. Colar contatos abertos e embalar o acumulador de modo que não possa se movimentar dentro da embalagem. Por favor observe também eventuais diretrizes nacionais suplementares.

Descarte



Ferramentas elétricas, baterias, acessórios e embalagens devem ser enviados a uma reciclagem ecológica de matérias primas.



Não descarte as ferramentas elétricas e as baterias/pilhas no lixo doméstico!

Baterias/pilhas:

Lítio:

Por favor, observe as instruções na seção de transporte (ver "Transporte", Página 58).

中文

安全规章

电动工具通用安全警告

警告！ 阅读所有警告和所有说明！不遵照以下警告和说明会导致电

击、着火和 / 或严重伤害。

保存所有警告和说明书以备查阅。

在所有下列的警告中术语"电动工具"指市电驱动（有线）电动工具或电池驱动（无线）电动工具。

工作场地的安全

- ▶ **保持工作场地清洁和明亮。** 混乱和黑暗的场地会引发事故。
- ▶ **不要在易爆环境，如有易燃液体、气体或粉尘的环境下操作电动工具。** 电动工具产生的火花会点燃粉尘或气体。
- ▶ **让儿童和旁观者离开后操作电动工具。** 注意力不集中会使操作者失去对工具的控制。

电气安全

- ▶ **电动工具插头必须与插座相配。** 绝不能以任何方式改装插头。需接地的电动工具不能使用任何转换插头。未经改装的插头和相配的插座将减少电击危险。
- ▶ **避免人体接触接地表面，如管道、散热片和冰箱。** 如果你身体接地会增加电击危险。
- ▶ **不得将电动工具暴露在雨中或潮湿环境中。** 水进入电动工具将增加电击危险。
- ▶ **不得滥用电线。** 绝不能用电线搬运、拉动电动工具或拔出其插头。使电线远离热源、油、锐边或运动部件。受损或缠绕的软线会增加电击危险。
- ▶ **当在户外使用电动工具时，使用适合户外使用的外接软线。** 适合户外使用的软线将减少电击危险。
- ▶ **如果在潮湿环境下操作电动工具是不可避免的，应使用剩余电流动作保护器（RCD）。** 使用RCD可减小电击危险。

人身安全

- ▶ **保持警觉，当操作电动工具时关注所从事的操作并保持清醒。** 当你感到疲倦，或在有药物、酒精或治疗反应时，不要操作电动工具。在操作电动工具时瞬间的疏忽会导致严重人身伤害。

- ▶ **使用个人防护装置。**始终佩戴护目镜。安全装置，诸如适当条件下使用防尘面具、防滑安全鞋、安全帽、听力防护等装置能减少人身伤害。
- ▶ **防止意外启动。**确保开关在连接电源和/或电池盒、拿起或搬运工具时处于关闭位置。手指放在已接通电源的开关上或开关处于接通时插入插头可能会导致危险。
- ▶ **在电动工具接通之前，拿掉所有调节钥匙或扳手。**遗留在电动工具旋转零件上的扳手或钥匙会导致人身伤害。
- ▶ **手不要伸展得太长。**时刻注意立足点和身体平衡。这样在意外情况下能很好地控制电动工具。
- ▶ **着装适当。**不要穿宽松衣服或佩戴饰品。让衣服、手套和头发远离运动部件。宽松衣服、配饰或长发可能会卷入运动部件中。
- ▶ **如果提供了与排屑、集尘设备连接用的装置，要确保他们连接完好且使用得当。**使用这些装置可减少尘屑引起的危险。

电动工具使用和注意事项

- ▶ **不要滥用电动工具，根据用途使用适当的电动工具。**选用适当设计的电动工具会使你工作更有效、更安全。
- ▶ **如果开关不能接通或关闭工具电源，则不能使用该电动工具。**如果开关不能接通或关闭工具电源，则不能使用该电动工具。
- ▶ **在进行任何调节、更换附件或贮存电动工具之前，必须从电源上拔掉插头和/或使电池盒与工具脱开。**这种防护性措施将减少工具意外启动的危险。
- ▶ **将闲置不用的电动工具贮存在儿童所及范围之外，并且不要让不熟悉电动工具或对这些说明不了解的人操作电动工具。**电动工具在未经培训的用户手中是危险的。
- ▶ **保养电动工具。**检查运动件是否调整到位或卡住，检查零件破损情况和影响电动工具运行的其它状况。如有损坏，电动工具应在使用前修理好。许多事故由维护不良的电动工具引发。
- ▶ **保持切割刀具锋利和清洁。**保养良好的有锋利切削刃的刀具不易卡住而且容易控制。
- ▶ **按照使用说明书，考虑作业条件和进行的作业来使用电动工具、附件和工具的刀头等。**将电动工具用于那些与其用途不符的操作可能会导致危险。

电池式工具使用和注意事项

- ▶ **只用制造商规定的充电器充电。**将适用于某种电池盒的充电器用到其他电池盒时会发生着火危险。
- ▶ **只有在配有专用电池盒的情况下才使用电动工具。**使用其他电池盒会发生损坏和着火危险。
- ▶ **当电池盒不用时，将它远离其他金属物体，例如回形针、硬币、钥匙、钉子、螺钉或其他小金属物体，以防一端与另一端连接。**电池端部短路会引起燃烧或火灾。
- ▶ **在滥用条件下，液体会从电池中溅出；避免接触。**如果意外碰到了，用水冲洗。如果液体碰到

了眼睛，还要寻求医疗帮助。从电池中溅出的液体会发生腐蚀或燃烧。

维修

- ▶ **让专业维修人员使用相同的备件维修电动工具。**这将保证所维修的电动工具的安全。

锤类工具的安全警告

- ▶ **戴好耳罩。**暴露在噪声中会引起听力损伤。
- ▶ **使用随工具提供的辅助手柄。**操作失手会引起人身伤害。
- ▶ **在切割附件可能触及暗线进行操作时，要通过绝缘握持面来握持工具。**切割附件碰到带电导线会使工具外露金属零件带电从而使操作者受到电击。
- ▶ **使用合适的侦测装置侦察隐藏的电线，或者向当地的相关单位寻求支援。**接触电线可能引起火灾并让操作者触电。损坏了瓦斯管会引起爆炸。如果水管被刺穿了会导致财物损失。
- ▶ **等待电动工具完全静止后才能够放下机器。**机器上的工具可能在工作中被夹住，而令您无法控制电动工具。
- ▶ **固定好工件。**使用固定装置或老虎钳固定工件，会比用手持握工件更牢固。
- ▶ **如果充电电池损坏或者未按照规定使用，充电电池中会散发出有毒蒸汽。充电电池可能会燃烧或爆炸。**工作场所必须保持空气流通，如果身体有任何不适必须马上就医。蒸汽会刺激呼吸道。
- ▶ **切勿打开充电电池。**可能造成短路。
- ▶ **钉子、螺丝刀等尖锐物品或外力作用可能会损坏充电电池。**有可能出现内部短路、蓄电池燃烧、发出烟雾、爆炸或过热。
- ▶ **只能将此充电电池用在制造商的产品中。**这样才能确保充电电池不会过载。



保护充电电池免受高温（例如长期阳光照射）、火焰、脏污、水和湿气的侵害。有爆炸和短路的危险。



- ▶ **工作时使用双手握紧电动工具并确保站稳。**使用双手才能够稳定地操作电动工具。
- ▶ **注意！在使用有蓝牙功能的电动工具时，其他装置和设备、飞机和医疗器械（例如心脏起搏器、助听器）可能会出现故障。同样不能完全排除周围的人 and 动物会受到伤害。请不要在医疗设备、加油站、化工厂、有爆炸危险的地区附近和在爆破区内使用有蓝牙功能的电动工具。请勿在飞机上使用有蓝牙功能的电动工具。请避免在身体附近较长时间使用。**

蓝牙®文字标记和图形符号（标志）是Bluetooth SIG公司的注册商标和财产。Robert Bosch Power Tools GmbH根据许可可使用这些文字标记/图形符号。

产品和性能说明



请阅读所有安全规章和指示。不遵照以下警告和说明可能导致电击、着火和/或严重伤害。

请注意本使用说明书开头部分的图示。

按照规定使用

本电动工具可以在混凝土、砖墙和石材上进行锤钻，而且也可用于轻型和中型的凿打作业。如果电动工具配备冲击关闭功能或用于圆柄钻头的钻夹头，也适合在木材、金属、陶瓷和塑料上进行无冲击钻孔。

装入 Bluetooth® (蓝牙) 低功耗模块 GCY 42 后，可以借助 Bluetooth® (蓝牙) 无线技术在电动工具和移动终端设备之间传输电动工具的数据和设置。

插图上的机件

机件的编号和电动工具详解图上的编号一致。

- (1) 内置有冲击挡块的快速可换式钻夹头
- (2) SDS-plus 可换式钻夹头
- (3) SDS-plus 工具夹头
- (4) 防尘盖
- (5) 锁定套筒
- (6) 夹头固定环
- (7) 运行模式和正/逆转功能的组合开关
- (8) 减震装置
- (9) 电源开关的锁定按钮
- (10) 手柄 (绝缘握柄)
- (11) 电源开关
- (12) 充电电池^{A)}
- (13) Bluetooth® (蓝牙) Low Energy Module GCY 42 的盖板
- (14) 工作灯
- (15) 限深器调节键
- (16) 辅助手柄 (绝缘握柄)
- (17) 限深器
- (18) 充电电池解锁键^{A)}
- (19) 用户界面
- (20) 夹头的接头
- (21) 快速可换式钻夹头的前套筒
- (22) 快速可换式钻夹头的止动环
- (23) 充电电池电量指示灯 (用户界面)
- (24) 快速关闭功能 (踢回控制) 指示灯 (用户界面)
- (25) 工作模式指示灯 (用户界面)
- (26) 工作模式选择键 (用户界面)
- (27) 电动工具状态指示灯 (用户界面)
- (28) 智能手机指示灯 (用户界面)
- (29) 温度指示灯 (用户界面)

A) 图表或说明上提到的附件，并不包含在基本的供货范围中。本公司的附件清单中有完整的附件供应项目。

技术参数

无绳电锤		GBH 18V-34 CF
物品代码		3 611 J14 0..
额定电压	V=	18
额定输入功率	瓦	750
冲击次数 ^{A)}	min ⁻¹	0-2900
单一冲击强度符合 EPTA-Procedure 05:2016 的规定	J	5.8
额定转速		
- 正转	转/分钟	0-500
- 反转	转/分钟	0-500
工具夹头		SDS-plus
主轴颈直径	毫米	74
最大钻孔直径:		
- 混凝土	毫米	32
- 砖墙 (使用空心钻头)	毫米	40-82
- 钢	毫米	13
- 木材	毫米	40
重量符合 EPTA-Procedure 01:2014 ^{A)}	公斤	5.2-6.3
长度	毫米	430
高度	毫米	250
充电时建议的环境温度	摄氏度	0 ... +35
工作时允许的环境温度 ^{B)} 和存放时功率受限	摄氏度	-20 ... +50
兼容的充电电池		GBA 18V... ProCORE18V...
推荐的确保全功率的充电电池		ProCORE18V... ≥ 5.5 安培小时
推荐的充电器		GAL 18... GAX 18V... GAL 36...

数据传输

Bluetooth® (蓝牙)		Bluetooth® (蓝牙) 4.2 (Low Energy) ^{C)}
信号间隔	秒	8
信号最大作用距离 ^{D)}	米	30

A) 视所使用的充电电池而定

B) 温度 < 0 摄氏度时功率受限

C) 移动终端设备必须可与蓝牙® 低功耗装置 (版本 4.2) 兼容并支持通用访问配置 (GAP)。

D) 根据外部条件包括所用接收设备的不同，覆盖范围会有很大差别。在封闭的室内以及由于金属障碍物 (如墙壁、台架、箱子等)，蓝牙® (蓝牙) 覆盖范围可能明显缩小。

安装

- ▶ 对电动工具执行任何操作（例如保养、更换刀具等）前以及运输和存储过程中，**按压锁定键以将电源开关锁定**。意外操作电源开关可能会造成伤害。

装入Bluetooth®（蓝牙）低能耗模块 GCY 42

有关蓝牙®Low Energy Module（低能耗模块）GCY 42的信息请见相应的使用说明。

为充电电池充电

- ▶ **请只使用在技术参数中列出的充电器**。只有这些充电器才适用于本电动工具上的锂离子电池。

提示：充电电池在交货时只完成部分充电。首度使用电动工具之前，必须先充足充电电池的电量以确保充电电池的功率。

可以随时为锂离子电池充电，不会缩短电池的使用寿命。如果充电过程突然中断，也不会损坏电池。本锂离子电池配备了电池电子保护装置“Electronic Cell Protection (ECP)”，可以防止电池过度放电。电池的电量如果用尽了，保护开关会自动关闭电动工具：安装在机器上的工具刀头会停止转动。

- ▶ **电动工具被关闭之后，切勿继续按住起停开关**。否则可能会损坏电池。

请注意有关作废处理的规定。

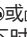
取出充电电池

本充电电池(12)具有双重锁定功能，即使无意中按压了充电电池的解锁键(18)，充电电池也不会从机器中掉出。只要充电电池安装在电动工具中，就会被弹簧固定在其位置上。

- 要取出充电电池(12)时，**按压解锁键(18)**，将充电电池从电动工具中拉出。**在此过程中请勿过度用力。**

充电电池电量指示灯

充电电池电量指示灯的绿色LED灯显示充电电池的电量。基于安全原因，只能在电动工具静止时检查充电电池的电量。

按压充电电量指示灯按键或，来显示充电电量。也可以在充电电池取下时操作。

如果按压充电电量指示灯按键后没有LED灯亮起，则说明充电电池损坏，必须进行更换。

提示：用户界面(19)上也会显示充电电池的电量状态指示灯。

充电电池型号GBA 18V...



LED指示灯	电量
3个绿灯常亮	60-100 %
2个绿灯常亮	30-60 %
1个绿灯常亮	5-30 %

LED指示灯	电量
1个绿灯闪烁	0-5 %

充电电池型号ProCORE18V...



LED指示灯	电量
5个绿灯常亮	80-100 %
4个绿灯常亮	60-80 %
3个绿灯常亮	40-60 %
2个绿灯常亮	20-40 %
1个绿灯常亮	5-20 %
1个绿灯闪烁	0-5 %

辅助手柄

- ▶ **操作电动工具时务必使用辅助手柄 (16)。**

摆动辅助手柄（见图片A）

可以任意翻转辅助手柄(16)，由此可在工作中采用安全且不易疲劳的姿势。

- 逆时针旋转辅助手柄(16)的下半部，并将辅助手柄(16)转到需要的位置。然后顺时针重新拧紧辅助手柄(16)的下半部。
注意，辅助手柄的固定套圈必须位于机壳上的固定套圈专属凹槽中。

调整钻孔深度（见图片B）

利用限深器(17)可以确定所需的钻深X。

- 按压限深器调节键(15)，并将限深器装入辅助手柄(16)。
限深器(17)的槽纹必须朝下。
- 将SDS-plus工具刀头推入SDS-plus工具夹头(3)，直至极限位置。如果未安装好SDS-plus工具，会影响设定深度的准确性。
- 尽可能地拉出限深器，使钻尖与限深器尖端之间的距离等于所需的钻孔深度X。

选择钻夹头和刀具

在进行锤钻和凿削时，需要已插有SDS-max钻夹头的SDS-max刀具。

在木材、金属、陶材和塑料上以及拧转螺丝进行无冲击式钻孔时，可使用不带SDS-plus的刀具（例如圆柱柄钻头）。对于这些工具，需要内置有冲击挡块的快速可换式钻夹头(1)。

提示：使用内置有冲击挡块的快速可换式钻夹头(1)才能确保，插入的刀具不会损坏。

拆卸/安装可换式钻夹头

取出可换式钻夹头（参见插图C）

- 向后拉出可换式钻夹头锁环(6)，将其保持在这个位置，然后向前拉下SDS-plus可换式钻夹头(2)或快速可换式钻夹头(1)。
- 保护被拆下的可换式钻夹头，不要弄脏。

插入可换式钻夹头 (参见插图D)

- 先清洁夹头然后再安装，必须在接头柄的末端涂抹少许油脂。
- 用整只手握住SDS-plus可换式钻夹头**(2)**或快速可换式钻夹头**(1)**。将可换式钻夹头拧在钻夹头刀柄**(20)**上，直至听到清晰的卡止声。
- 此时可换式钻夹头已经自动锁定。抽拉可换式钻夹头检查其是否已经锁定。

更换刀具

防尘盖**(4)**可以防止工作时钻屑进入工具夹头中。插入刀具时请注意不要损坏防尘盖**(4)**。

- ▶ **损坏的防尘盖必须立即更换。推荐由本公司的售后服务部门进行操作。**

更换刀具 (SDS-plus)**安装SDS-plus工具刀头 (参见插图E)**

使用SDS-plus钻夹头可以简单方便地更换工具刀头，无需使用辅助工具。

- 插入SDS-plus可换式钻夹头**(2)**。
- 清洁工具刀头的末端并涂抹少许油脂。
- 把工具刀头拧入工具夹头中，必须拧转至工具自动锁定为止。
- 抽拉工具以确定它是否正确锁紧了。

SDS-plus系统的工具刀头是活动的。因此在空转时会产生径向跳动偏差。该偏差对钻孔的精度没影响，因为钻孔时钻头自定心。

拆卸SDS-plus工具刀头 (见图片F)

- 向后推动锁定套筒**(5)**，取下工具刀头。

更换刀具 (无SDS-plus)**插入工具刀头 (参见插图G)**

提示：切勿使用不带SDS-plus的工具来锤钻或凿削！没有SDS-plus的工具和夹头会在进行锤钻和凿削时受损。

- 插入内置有冲击挡块的快速可换式钻夹头**(1)**。

提示：只使用专门用于GBH 18V-34 CF的内置有冲击挡块的快速可换式钻夹头。使用这种钻夹头才能确保，电锤的气动冲击机构不会损坏工具刀头。

- 固定快速可换式钻夹头的止动环**(22)**。通过转动前套筒**(21)**打开工具夹头，直至可以插入刀具。固定止动环**(22)**，然后沿箭头方向用力转动前套筒**(21)**，直至听到清晰的咔嗒声。
- 以抽拉的方式检查刀具是否装牢。

提示：如果工具夹头被打开到极限位置，那么在拧紧工具夹头时，就能听见咔嗒声，且工具夹头不能关闭。

在这种情况下逆箭头方向转动前套筒**(21)**一次。然后，工具夹头才能关闭。

- 将组合开关**(7)**转到“钻孔”位置。

取出工具刀头 (参见插图H)

- 固定快速可换式钻夹头的止动环**(22)**。通过沿箭头方向转动前套筒**(21)**打开工具夹头，直至能够取出刀具。

吸锯尘/吸锯屑

含铅的颜料以及某些木材、矿物和金属的加工废尘有害健康。机器操作者或者工地附近的人如果接触、吸入这些废尘，可能会有过敏反应或者感染呼吸道疾病。

某些尘埃（例如加工橡木或山毛榉的废尘）可能致癌，特别是和处理木材的添加剂（例如木材的防腐剂等）结合之后。只有经过专业训练的人才能够加工含石棉的物料。

- 尽可能使用适合物料的吸尘装置。
- 工作场所要保持空气流通。
- 最好佩戴P2滤网等级的口罩。

请留心并遵守贵国和加工物料有关的法规。

- ▶ **避免让工作场所堆积过多的尘垢。**尘埃容易被点燃。

操作**操作机器**

- ▶ 请确保，Bluetooth® (蓝牙) 低功耗模块GCY 42的盖板**(13)**在运行过程中处于关闭状态。从而防止灰尘进入。

安装充电电池

- ▶ **只能使用Bosch原厂的锂离子充电电池，电池电压必须和机器铭牌上规定的电压一致。**使用其他充电电池会发生损坏并有着火危险。

- 按压锁定键**(9)**，以防电动工具被无意中接通。
- 将充好电的充电电池**(12)**推入外壳的充电接触器中，直至充电电池牢牢锁定。

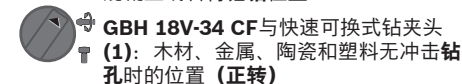
调整运行模式 (参见插图I)

用组合开关**(7)**选择电动工具的运行模式。

提示：仅可在电动工具关闭的情况下更改运行模式！否则可能会损坏电动工具。

提示：如果在电源开关已锁定期间切换到另一种运行模式，则电动工具会自动关闭。

- 如要切换运行模式，将组合开关**(7)**转到所需位置，直至听到卡止声。

TIW ↑TT 混凝土或石材锤钻位置**TIW ↑TT 用于从工件中松开工具刀头的逆转位置****TIW ↑TT 用于调节钻头位置的Vario-Lock位置。**

钻头位置



接通/关闭

- 如有必要，松开电源开关的锁定键(9)。
- 如要接通电动工具，按压电源开关(11)。轻按或将电源开关(11)按到底时，灯会亮起，在照明状态不佳的环境中可以借此照亮工作范围。
- 如要关闭电动工具，请松开电源开关(11)。

调整转速 / 冲击次数

可以无级调节已接通电动工具的转速/冲击次数，视按压电源开关(11)的力道程度决定。

以较小的力按压电源开关(11)时，转速/冲击次数较低。增强施加在起停开关上的压力，可以提高机器的转速 / 冲击次数。

您也可以在用户界面上或通过智能手机App调节转速(参见“选择工作模式”，页 64)。

改变钻头位置 (Vario-Lock)

您可以将钻头锁定在16的位置。如此可确保最佳的工作姿势。

- 把钻头装入工具夹头中。
- 将组合开关(7)转到“Vario-Lock”位置。
- 把钻头旋转到需要的工作位置上。
- 将组合开关(7)转到“钻头”位置。这样就能锁定工具夹头。

带锁定功能的钻头

为了较长时间凿切而不必始终按着电源开关(11)，将电源开关锁定在运行模式“凿切”中。

- 锁定时将电源开关(11)按压至极限位置，同时按压锁定键(9)。
- 关闭时再次按压锁定键(9)。

状态指示灯

充电电池电量指示灯 (用户界面) (23)	含义/原因	解决方案
绿色 (2至5格)	充电电池已充电	-
黄色 (1格)	充电电池的电量几乎耗尽	尽快更换充电电池或为其充电
红色 (1格)	充电电池的电量用尽了	更换充电电池或为其充电

温度显示(29)	含义/原因	解决方案
黄色	充电电池或电动工具的工作温度明显提高，功率因此降低	让电动工具空转、冷却或更换过热的充电电池
红色	超出充电电池或电动工具的工作温度，电动工具出于自我保护机制自动关闭	让电动工具冷却或更换过热的充电电池

电动工具状态指示灯(27)	含义/原因	解决方案
绿色	状态正常	-
黄色	已达到临界温度或充电电池的电量几乎耗尽	让电动工具空转、冷却或尽快更换充电电池或为其充电

提示: 如果在电源开关已锁定期间切换到另一种运行模式，则电动工具会自动关闭。

过载离合器

- ▶ 如果工具卡住了，传往主轴的动力会中断。由于会产生力，请用双手牢牢握住电动工具并站稳。
- ▶ 当电动工具卡住时，请关闭电动工具并松开工具刀头。开动机器时如果安装在机器上的钻头被卡住了，会产生很高的反作用扭力。

快速关断功能 (踢回控制)



快速关断功能 (踢回控制) 让用户能更好地控制电动工具，这与不带踢回控制的电动工具相比，能更好地保护用户。在电动工具围绕钻头突然且不可预测地旋转时，电动工具会关闭，快速关断功能指示灯(24)亮起，并且工作灯(14)闪烁。在快速关断功能激活后，状态指示灯(27)呈红色闪烁。

- 如要重新使用工具，松开电源开关(11)，然后再操作。

电子精密控制 (EPC)

EPC通过缓慢加快转速来为精确的锤击操作提供支持。

“凿切”运行模式中的电动转速控制 (Adaptive Speed Control)



为实现更好的控制和精确安放，电动工具以低转速启动，然后快速提高到最大转速。在安放电动工具时，电动转速控制会自动激活。

用户界面 (参见插图J)

用户界面(19)用于选择工作模式以及显示电动工具的状态。

电动工具状态指示灯(27)	含义/原因	解决方案
红色	电动工具过热或充电电池电量耗尽	让电动工具冷却或更换充电电池或为其充电
红色	在“锤钻”运行模式中按下了锁定键	再次按压锁定键
	在运行过程中已操纵组合开关	关闭并再次接通电动工具
	发动机卡住, 充电电池电量过低	给充电电池充电或使用推荐的充电电池类型
	一般故障	<ul style="list-style-type: none"> 关闭电动工具并再次接通或取出充电电池并再次装入 如果故障依旧存在: <ul style="list-style-type: none"> 将电动工具寄给客户服务部门
闪红光	快速关断功能已触发	关闭并再次接通电动工具
- 同时带有快速关断功能指示(24)		
闪蓝光	电动工具已与移动终端设备连接或正在传输设置	

智能手机状态指示灯(28)	含义/原因	解决方案
绿色	辅助信息可用 (例如商业信息)	如果感兴趣, 请在智能手机上阅读信息
黄色	重要信息可用 (例如温度警告)	在智能手机上阅读信息
红色	关键运行信息可用 (例如电机由于MCU故障而停止运转)	立即在智能手机上阅读信息

选择工作模式

- 在选择工作模式时, 反复按压键(26), 直到所需的工作模式亮起为止。

提示: 在工作模式**Favorite**中可通过智能手机App来配置功能, 在工作模式**Auto**和**Soft**中功能已预设好。

工作模式指示灯(25)	功能
Auto 亮起	在工作模式 Auto 中, 电动工具达到最大功率。 <ul style="list-style-type: none"> - 运行模式“锤钻”: 将受控钻孔的转速迅速提高至最大转速的100 % - 运行模式“凿切”: 电动转速控制 (Adaptive Speed Control) - 快速关断功能 (Kickback Control)
Soft 亮起	工作模式 Soft 用于加工敏感的材料。 <ul style="list-style-type: none"> - 运行模式“锤钻”: EPC激活, 为在敏感表面上锤钻而缓慢提高柔和钻孔的速度至最大转速的80 % - 运行模式“凿切”: 电动转速控制 (Adaptive Speed Control) 设置得更加灵敏 - 快速关断功能 (Kickback Control) 设置得更加灵敏
Favorite 亮起	在工作模式 Favorite 中可以通过智能手机App对电动工具进行个性化配置。 <ul style="list-style-type: none"> - 运行模式“锤钻”可以分多档配置: <ul style="list-style-type: none"> 功率: 转速 Electronic Precision Control (EPC): 启动速度 - 运行模式“凿切”: 电动转速控制 (Adaptive Speed Control) 可接通和关闭 - 快速关断功能 (踢回控制) 的灵敏度可配置至完全关闭

连接功能

搭配Bluetooth® (蓝牙) 低能耗模块GCY 42, 可为电动工具提供以下连接功能:

- 注册和个性化设置
- 状态检查, 警告信息输出

- 通用信息和设置
- 管理有关蓝牙®Low Energy Module (低能耗模块) **GCY 42**的信息请见相应的使用说明。

当电动工具借助 Bluetooth® (蓝牙) 无线技术向某个移动终端设备发送一条信息 (例如温度警告) 时, 智能手机指示灯(28)亮起。


工作提示

- ▶ 装入了 Bluetooth® (蓝牙) 低能耗模块 GCY 42 的电动工具配有一个无线接口。必须注意本地运行限制, 例如在飞机上或医院里。
- ▶ 在不允许使用 Bluetooth® (蓝牙) 无线技术的区域内, 必须取出 Bluetooth® 低能耗模块 GCY 42 和纽扣电池。

提示: 只有在蓝牙® Low Energy Module (低能耗模块) GCY 42 和纽扣电池位于电动工具中时, 才可以关闭盖板(13)。

- 要禁用蓝牙® Low Energy Module (低能耗模块) GCY 42, 请翻转纽扣电池或在纽扣电池和蓝牙® Low Energy Module (低能耗模块) GCY 42 之间放置绝缘件。
- 关闭盖板(13), 以免污物进入。

减震装置

 内置减震装置可减轻出现的振动。

- ▶ 如果减震装置损坏了, 勿继续使用电动工具。

如何正确地使用充电电池

保护充电电池, 避免湿气和水分渗入。

充电电池必须储存在 -20 °C 至 50 °C 的环境中。夏天不得将充电电池搁置在汽车中。

不定时地使用柔软, 清洁而且干燥的毛刷清洁充电电池的通气孔。

充电后如果充电电池的使用时间明显缩短, 代表充电电池已经损坏, 必须更换新的充电电池。

请注意有关作废处理的规定。

维修和服务

保养和清洁

- ▶ 在电动工具上进行任何维护的工作 (例如维修, 更换工具等等), 以及搬运、保存电动工具之前都必须从机器中取出蓄电池。无意间操作开关可能会造成伤害。
- ▶ 电动工具和通气孔必须随时保持清洁, 以确保工作效率和工作安全。
- ▶ 必须立即更换损坏的防尘盖。最好委托本公司的顾客服务处换装。
 - 每次使用后请清洁工具夹头(3)。
 - 每次使用后请清洁工具夹头。

客户服务和应用咨询

本公司顾客服务处负责回答有关本公司产品的修理、维护和备件的问题。备件的展开图纸和信息也可查看: www.bosch-pt.com

产品中有害物质的名称及含量

博世应用咨询团队乐于就我们的产品及其附件问题提供帮助。

询问和订购备件时, 务必提供机器铭牌上标出的10位数物品代码。

香港和澳门特别行政区

罗伯特博世有限公司
香港北角英皇道625号, 21楼
客户服务热线: +852 2101 0235
传真: +852 2590 9762
电子邮件: info@hk.bosch.com
www.bosch-pt.com.hk

中国大陆

博世电动工具 (中国) 有限公司
中国 浙江省 杭州市
滨江区 滨康路567号
102/1F 服务中心
邮政编码: 310052
电话: (0571)8887 5566 / 5588
传真: (0571)8887 6688 x 5566# / 5588#
电邮: bsc.hz@cn.bosch.com
www.bosch-pt.com.cn

制造商地址:

Robert Bosch Power Tools GmbH
罗伯特·博世电动工具有限公司
70538 Stuttgart / GERMANY
70538 斯图加特 / 德国

搬运

随着机器一起供货的锂离子充电电池必须符合危险物品法规。使用者无须另外使用保护包装便可以运送该充电电池。

但是如果将它交由第三者运送 (例如: 寄空运或委托运输公司) 则要使用特殊的包装和标示。此时必须向危险物品专家请教有关寄送危险物品的相关事宜。

确定充电电池的外壳未受损后, 才可以寄送充电电池。粘好未加盖的触点并包装好充电电池, 不可以让充电电池在包装中晃动。必要时也得注意各国有关的法规。

处理废弃物



必须以符合环保的方式, 回收再利用损坏的电动工具、充电电池、附件和废弃的包装材料。



不可以把电动工具和充电电池/蓄电池丢入一般的家庭垃圾中!

充电电池/电池:

锂离子:

请注意“搬运”段落中的指示 (参见“搬运”, 页 65) 确认设置。

部件名称	有害物质					
	铅 (Pb)	汞 (Hg)	镉 (Cd)	六价铬 (Cr ⁶⁺)	多溴联苯 (PBB)	多溴二苯醚 (PBDE)
外壳的金属部分	○	○	○	○	○	○
外壳的非金属部分	○	○	○	○	○	○
机械传动机构	X	○	○	○	○	○
电机组件	X	○	○	○	○	○
控制组件	X	○	○	○	○	○
附件	○	○	○	○	○	○
配件	○	○	○	○	○	○
连接件	X	○	○	○	○	○
电源线* ①	○	○	○	○	○	○
电池系统* ②	X	○	○	○	○	○

本表格依据SJ/T11364 的规定编制。

○: 表示该有害物质在该部件所有均质材料中的含量均在GB/T 26572 规定的限量要求以下。

X: 表示该有害物质至少在该部件的某一均质材料中的含量超出GB/T 26572 规定的限量要求。且目前业界没有成熟的替代方案，符合欧盟RoHS 指令环保要求。

① 适用于采用电源线连接供电的产品。

② 适用于采用充电电池供电的产品。

产品环保使用期限内的使用条件参见产品说明书。

有关中国的更多信息

CMIIT ID显示在蓝牙设备铭牌上

繁體中文

安全注意事項

電動工具通用安全警告

警告 閱讀所有警告和所有說明。不遵照以下警告和說明會導致電擊、著火和/或嚴重傷害。

保存所有警告和說明書以備查閱。

在所有警告中，「電動工具」此一名詞泛指：以市電驅動的（有線）電動工具或是以電池驅動的（無線）電動工具。

工作場地的安全

- ▶ 保持工作場地清潔和明亮。雜亂和黑暗的場地會引發事故。
- ▶ 不要在易爆環境，如有易燃液體、氣體或粉塵的環境下操作電動工具。電動工具產生的火花會點燃粉塵或氣體。
- ▶ 讓兒童和旁觀者離開後操作電動工具。注意力不集中會使您失去對工具的控制。

電氣安全

- ▶ 電動工具插頭必須與插座相配。絕不能以任何方式改裝插頭。需接地的電動工具不能使用任何轉換插頭。未經改裝的插頭和相配的插座將減少電擊危險。
- ▶ 避免人體接觸接地表面，如管道、散熱片和冰箱。如果您身體接地會增加電擊危險。
- ▶ 不得將電動工具暴露在雨中或潮濕環境中。水進入電動工具將增加電擊危險。
- ▶ 不得濫用電線。絕不能用電線搬運、拉動電動工具或拔出其插頭。將電線遠離熱源、油、銳利邊緣或移動零件。受損或纏繞的軟線會增加電擊危險。
- ▶ 當在戶外使用電動工具時，使用適合戶外使用的延長線。適合戶外使用的軟線，將減少電擊危險。
- ▶ 如果在潮濕環境下操作電動工具是不可避免的，應使用剩餘電流動作保護器（RCD）。使用RCD可降低電擊危險。

人身安全

- ▶ 保持警覺，當操作電動工具時關注所從事的操作並保持清醒。當您感到疲倦，或在有藥物、酒精或治療反應時，不要操作電動工具。在操作電動工具時瞬間的疏忽會導致嚴重人身傷害。
- ▶ 使用個人防護裝置。務必佩戴護目鏡。安全裝置，諸如適當條件下使用防塵面具、防滑安全鞋、安全帽、聽力防護等裝置能減少人身傷害。
- ▶ 防止意外起動。確保開關在連接電源和/或電池組、拿起或搬運工具時處於關閉位置。手指放在

已接通電源的開關上或開關處於接通時插入插頭可能會導致危險。

- ▶ 在電動工具接通之前，拿掉所有調節鑰匙或扳手。遺留在電動工具旋轉零件上的扳手或鑰匙會導致人身傷害。
- ▶ 手不要伸展得太長。時刻注意立足點和身體平衡。這樣在意外情況下能很好地控制電動工具。
- ▶ 著裝適當。不要穿著寬鬆衣服或佩戴飾品。衣服、手套和頭髮請遠離移動零件。寬鬆衣服、佩飾或長髮可能會捲入移動零件中。
- ▶ 如果有排屑、集塵設備連接用的裝置，請確保其連接完好且使用得當。使用這些裝置可減少塵屑引起的危險。

電動工具使用和注意事項

- ▶ 請勿濫用電動工具，根據用途使用適當的電動工具。選用適當設計的電動工具會使您工作更有效、更安全。
- ▶ 如果開關不能開啟或關閉工具電源，則不能使用該電動工具。不能用開關來控制的電動工具是危險的且必須進行修理。
- ▶ 在進行任何調整、更換附件或貯存電動工具之前，必須從電源上拔掉插頭和/或將電池組拆下。這種防護性措施將減少工具意外起動的危險。
- ▶ 將閒置不用的電動工具貯存在兒童所及範圍之外，不得讓不熟悉電動工具或對這些說明不瞭解的人操作電動工具。由未經訓練的人員使用電動工具相當危險。
- ▶ 保養電動工具。檢查移動零件是否調整到位或卡住，檢查零件破損情況和影響電動工具運轉的其他狀況。如有損壞，電動工具應在使用前修理完成。許多事故由維護不良的電動工具引發。
- ▶ 保持切削刀具鋒利和清潔。保養良好的有鋒利切削刃的刀具不易卡住而且容易控制。
- ▶ 按照使用說明書，考慮作業條件和進行的作業來使用電動工具、配件和工具的尖端等。將電動工具用於那些與其用途不符的操作可能會導致危險。

電池式工具使用和注意事項

- ▶ 只用製造商規定的充電器充電。將適用於某種電池組的充電器用到其他電池組時會發生著火危險。
- ▶ 只有在配有專用電池組的情況下才使用電動工具。使用其他電池組會發生損壞和著火危險。
- ▶ 當電池組不用時，請遠離其他金屬物體，例如迴紋針、硬幣、鑰匙、釘子、螺絲或其他小金屬物體，以防一端與另一端連接。電池接點短路會引起燃燒或火災。
- ▶ 在誤用的情況下，液體會從電池中濺出；請避免接觸。如果意外接觸，應立刻用水沖洗。如果液體碰到了眼睛，務必就醫。從電池中濺出的液體會發生腐蝕或燃燒。

檢修

- ▶ 將您的電動工具送交專業維修人員，必須使用同樣的備件進行更換。這樣將確保所維修的電動工具的安全性。

鎚鑽安全警告

- ▶ 請戴上耳罩。暴露在噪音下會造成聽力喪失。
- ▶ 請使用工具的輔助把手（若有配備）。失去控制可能會造成人員受傷。
- ▶ 進行作業時，負責進行切割的配件可能會碰觸到隱藏的配線，請從絕緣處把握拿持電動工具。負責進行切割的配件若是觸及「導電」電線，可能導致電動工具外露的金屬部件「導電」，進而使操作人員遭受電擊。
- ▶ 使用合適的偵測裝置偵察隱藏的電線，或者向當地的相關單位尋求支援。接觸電線可能引起火災並讓操作者觸電。若損壞瓦斯管會引起爆炸。如果水管被刺穿會導致財物損失。
- ▶ 必須等待電動工具完全靜止後才能將它放下。嵌件工具可能卡住而使電動工具失控。
- ▶ 固定好工件。使用固定裝置或老虎鉗固定工件，會比用手持握工件更牢固。
- ▶ 如果充電電池損壞了，或者未按照規定使用充電電池，充電電池中會散發出有毒蒸氣。充電電池可能起火或爆炸。工作場所必須保持空氣流通，如果身體有任何不適必須馬上就醫。充電電池散發的蒸氣會刺激呼吸道。
- ▶ 切勿拆開充電電池。可能造成短路。
- ▶ 尖銳物品（例如釘子或螺絲起子）或是外力皆有可能造成充電電池損壞。進而導致內部短路而發生電池起火、冒煙、爆炸或過熱等事故。
- ▶ 僅可使用產品的原廠充電電池。如此才可依照產品提供過載保護。



保護充電電池免受高溫（例如長期日照）、火焰、污垢、水液和濕氣的侵害。有爆炸及短路之虞。



- ▶ 作業期間請用雙手牢牢握緊電動工具並保持穩固。使用雙手才能夠更穩定地操作電動工具。
- ▶ 小心！使用電動工具時若開啟 Bluetooth® 功能，將可能對其他裝置或設備、飛機以及醫療器材（例如心律調節器、助聽器等）產生干擾。同樣亦無法完全排除對鄰近之人員或動物造成身體危害的可能性。請勿在醫療器材、加油站、化學設備、爆炸危險場所以及易爆環境等處附近，使用電動工具的 Bluetooth® 功能。請勿在飛機上使用電動工具的 Bluetooth® 功能。應避免直接貼靠在身體部位旁的長時間持續操作。

Bluetooth® 一詞及其標誌（商標）為 Bluetooth SIG, Inc. 所擁有之註冊商標。Robert Bosch Power Tools GmbH 對於此詞彙/標誌之任何使用均已取得授權。

產品和功率描述



請詳讀所有安全注意事項和指示。如未遵守安全注意事項與指示，可能導致火災、人員遭受電擊及/或重傷。

請留意操作說明書中最前面的圖示。

依規定使用機器

本電動工具適合在混凝土、砌牆及石材進行鎚擊鑽孔，亦適用於輕負載和中級負載的鑿削作業。

電動工具若有配備衝擊斷電功能或圓柄鑽頭適用的夾頭，那麼同樣也可以用無震動之方式在木材、金屬、陶瓷或塑膠等材質上進行鑽孔加工。

電動工具若有搭載 *Bluetooth*® Low Energy Module GCY 42，即可透過 *Bluetooth*® 無線技術，與終端行動裝置傳輸資料和設定。

插圖上的機件

機件的編號和電動工具詳解圖上的編號一致。

- (1) 內建停鎚功能的快換夾頭
- (2) SDS-plus (四坑系統) 夾頭
- (3) SDS-plus (四坑系統) 工具夾座
- (4) 防塵蓋
- (5) 鎖定套筒
- (6) 夾頭固定環
- (7) 設定操作模式和正逆轉功能的複合式開關
- (8) 減震裝置
- (9) 起停開關鎖止按鈕
- (10) 把手 (絕緣握柄)
- (11) 起停開關
- (12) 充電電池^{A)}
- (13) 藍牙® Low Energy Module GCY 42 的護蓋
- (14) 工作燈
- (15) 限深擋塊調整按鈕
- (16) 輔助手柄 (絕緣握柄)
- (17) 限深擋塊
- (18) 充電電池解鎖按鈕^{A)}
- (19) 使用者介面
- (20) 夾頭的接頭
- (21) 快換夾頭的前端套筒
- (22) 快換夾頭的固定環
- (23) 充電電池的電量指示器 (使用者介面)
- (24) 快關功能指示器 (Kickback Control) (使用者介面)
- (25) 工作模式指示器 (使用者介面)
- (26) 工作模式選擇鈕 (使用者介面)
- (27) 電動工具狀態指示器 (使用者介面)
- (28) 智慧型手機指示器 (使用者介面)
- (29) 溫度指示器 (使用者介面)

A) 圖表或說明上提到的配件，並不包含在基本的供貨範圍中。本公司的配件清單中有完整的配件供應項目。

技術性數據

充電式鎚擊電鑽		GBH 18V-34 CF
產品機號		3 611 J14 0..
額定電壓	V=	18
額定輸入功率	W	750
衝擊次數 ^{A)}	min ⁻¹	0-2900
單次鎚擊強度符合 EPTA-Procedure 05:2016	J	5.8
額定轉速		
- 正轉	次 / 分	0-500
- 逆轉	次 / 分	0-500
工具夾座		SDS-plus
軸頭直徑	mm	74
最大鑽孔直徑：		
- 混凝土	mm	32
- 砌牆 (使用空心鑽頭)	mm	40-82
- 鋼材	mm	13
- 木材	mm	40
重量符合 EPTA-Procedure 01:2014 ^{A)}	kg	5.2-6.3
長度	mm	430
高度	mm	250
充電狀態下的建議環境溫度	°C	0 ... +35
操作狀態下的容許環境溫度 ^{B)} 以及存放狀態下	°C	-20 ... +50
相容的充電電池		GBA 18V... ProCORE18V...
為確保最大效能而建議使用的充電電池		ProCORE18V... ≥ 5.5 Ah
建議使用的充電器		GAL 18... GAX 18V... GAL 36...

資料傳輸

藍牙®		藍牙 4.2 (低功率) ^{C)}
訊號間隔時間	秒	8
訊號最遠傳送範圍 ^{D)}	m	30

A) 視所使用的充電蓄電池而定

B) 溫度 <0 °C 時，性能受限

C) 終端行動裝置必須與 *Bluetooth*® (藍牙) 低功耗設備 (4.2 版) 相容，並支援 Generic Access Profile (GAP)。

D) 此傳送範圍受外在環境條件 (包含您所使用之接收裝置) 的影響而有極大差異。在密閉空間內，諸如牆面、置物櫃、提箱等物品中的金屬部件會阻礙藍牙® 功能的傳輸，而使訊號傳送範圍明顯縮小。

安裝

- ▶ 對電動工具進行任何維護的工作（例如維修、更換工具等等），以及搬運、存放本裝置之前，請按壓鎖止按鈕，以便鎖定起停開關的位置。若是不小心觸動起停開關，可能造成人員受傷。

安裝 Bluetooth® Low Energy Module GCY 42

如需 Bluetooth® Low Energy Module GCY 42 的相關資訊，請詳讀其操作說明書。

為充電電池進行充電

- ▶ 只能選用技術性數據裡所列出的充電器。僅有這些充電器適用於電動工具所使用的鋰離子充電電池。

提示：出貨時充電電池已部分充電。首度使用電動工具之前，請先用充電器將充電電池充飽電以確保充電電池蓄滿電力。

鋰離子充電電池可隨時充電，不會縮短電池的使用壽命。如果突然中斷充電，電池也不會損壞。

鋰離子充電電池配備了電池保護裝置「Electronic Cell Protection (ECP)」，可以防止充電電池過度放電。充電電池的電量如果用盡了，保護開關會自動關閉電動工具：嵌件工具會停止轉動。

- ▶ 電動工具自動關機後，請勿再按壓電源開關。否則充電電池可能會損壞。

請您遵照廢棄物處理相關指示。

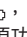
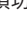
取出充電電池

本充電電池 (12) 具備了雙重鎖定功能，即使不小心按壓了充電電池解鎖按鈕 (18)，充電電池也不會從機器中掉落出來。固定彈簧會把充電電池夾緊在機器中。

- 若要取出充電電池 (12)，請按壓解鎖按鈕 (18)，然後將充電電池抽出電動工具。不可以強行拉出充電電池。

充電電池的電量指示器

充電電池的電量指示器透過綠色 LED 燈告知充電電池的目前電量。基於安全顧慮，務必在電動工具完全靜止時才能檢查充電電池的電量。

按一下電量指示器按鈕  或 ，即可顯示目前的電量。即使已取出充電電池，此項功能仍可正常運作。

按壓電量顯示按鈕後，LED 燈若未亮起，即表示充電電池故障，必須予以更換。

提示：充電電池目前的電量也會顯示在使用者介面 (19) 上顯示目前狀態。

充電電池型號 GBA 18V...



LED 燈	容量
3 顆綠燈持續亮起	60-100 %
2 顆綠燈持續亮起	30-60 %

LED 燈	容量
1 顆綠燈持續亮起	5-30 %
1 顆綠燈呈閃爍狀態	0-5 %

充電電池型號 ProCORE18V...



LED 燈	容量
5 顆綠燈持續亮起	80-100 %
4 顆綠燈持續亮起	60-80 %
3 顆綠燈持續亮起	40-60 %
2 顆綠燈持續亮起	20-40 %
1 顆綠燈持續亮起	5-20 %
1 顆綠燈呈閃爍狀態	0-5 %

輔助手柄

- ▶ 操作電動工具時務必使用輔助手柄 (16)。

翻轉輔助手柄 (請參考圖 A)

輔助手柄 (16) 可隨意翻轉，以便採取一個穩固而不容易感到疲勞的工作姿勢。

- 逆時針旋轉輔助手柄 (16) 的下方握把處，以便將輔助手柄 (16) 轉至所需位置。然後再順時針旋轉輔助手柄 (16) 的下方握把處，將它重新鎖緊。注意，輔助手柄的固定套圈必須位於機殼上的固定套圈專屬凹槽中。

調整鑽孔深度 (請參考圖 B)

您可利用限深擋塊 (17) 設定所需鑽孔深度 X。

- 請按壓限深擋塊調整按鈕 (15) 然後將限深擋塊安裝到輔助手柄 (16) 上。限深擋塊 (17) 上的刻紋必須朝下。
- 將 SDS-plus 嵌件工具往 SDS-plus 工具夾頭 (3) 推入到底。如果未安裝好工具，會影響設定深度的準確性。
- 將限深擋塊拉出至，鑽頭尖端與限深擋塊尖端之間的距離等於所需的鑽孔深度 X。

選用夾頭和工具

進行銼擊鑽孔和鑿削時，必須使用能夠安裝在 SDS-plus 夾頭上的 SDS-plus 工具。

若要以無震動之方式在木材、金屬、陶瓷及塑膠等材質上進行鑽孔，或是想要拆裝螺栓，請使用非 SDS-plus 系統的工具（例如具有圓柱柄的鑽頭）。使用此類工具時，您需要用到內建停銼功能的快換夾頭 (1)。

提示：必須搭配內建停銼功能的快換夾頭 (1) 一起使用才能確保您所安裝的工具不會受損。

拆卸/安裝夾頭

卸下更換式夾頭 (請參考圖 C)

- 將更換式夾頭鎖止環 (6) 往後拉並讓它固定在這個位置上，然後將 SDS-plus 更換式夾頭 (2) 或快換夾頭 (1) 往前拔下。
- 更換式夾頭取下後需妥善保護，以免受污。

裝上更換式夾頭 (請參考圖 D)

- 更換式夾頭需先進行清潔然後才可安裝，必須在接頭柄的插入端塗上少許油脂。
- 用整個手掌環握住 SDS-plus 更換式夾頭 (2) 或快換夾頭 (1)。將更換式夾頭一邊旋轉一邊推至夾頭轉接頭 (20) 上，直到清楚聽見卡上的聲音。
- 此時更換式夾頭已經自動鎖定。但是仍需拉動更換式夾頭，以檢查是否已確實鎖止。

更換工具

防塵蓋 (4) 可阻止鑽孔時所產生的大部份粉塵侵入工具夾座。安裝工具時要小心，請勿損壞防塵蓋 (4)。

- ▶ 防塵蓋若有受損，應立即更換。最好委託本公司的顧客服務處換裝。

更換工具 (SDS-plus)

裝上 SDS-plus 嵌件工具 (請參考圖 E)

夾頭採 SDS-plus (四坑系統) 設計，能夠簡便地更換嵌件工具，無需借助其它輔助工具。

- 直接將 SDS-plus 更換式夾頭 (2) 裝入即可。
- 清潔嵌件工具的插入端並且塗上少許潤滑油脂。
- 把嵌件工具轉進工具夾座中，必須轉至嵌件工具自動鎖定為止。
- 拉動工具以確認它是否已正確鎖止。

SDS-plus 嵌件工具是活動的，因此在無負載狀態下此類工具會偏心旋轉。開始鑽孔時此工具便會自動置中，因此上述現象並不會影響鑽孔準確度。

取出 SDS-plus 嵌件工具 (請參考圖 F)

- 將鎖定套筒 (5) 往後推，然後便可取出嵌件工具。

更換工具 (非 SDS-plus 系統)

安裝嵌件工具 (請參考圖 G)

提示：請勿使用非 SDS-plus 系統的工具進行銼擊鑽孔或鑿削！非 SDS-plus 系統的工具和夾頭會在進行銼擊鑽孔和鑿削時受損。

- 請裝上內建停銼功能的快換夾頭 (1)。

提示：僅可使用內建停銼功能的 GBH 18V-34 CF 專用快換夾頭。必須搭配此種夾頭才能確保銼擊電鑽的氣動式撞擊裝置不會造成嵌件工具受損。

- 必須握好快換夾頭的固定環 (22)，讓它留在原位不動。旋轉前端套筒 (21)，以便工具夾座打開至能夠裝入工具的程度。請將固定環 (22) 握住不動，然後沿箭頭方向用力轉緊前端套筒 (21)，此時必須清楚聽見軋軋聲。
- 透過拉動，確認工具是否已裝牢。

提示：如果工具夾座先前已完全開啟至極限位置，那麼旋轉工具夾座使之閉合時，即使聽見軋軋聲也不代表工具夾座已鎖上。

這時候請您再沿著箭頭的相反方向轉一下前端套筒 (21)。然後工具夾座便能確實閉合。

- 請將複合式開關 (7) 轉至「鑽孔」位置。

取出嵌件工具 (請參考圖 H)

- 必須握好快換夾頭的固定環 (22)，讓它留在原位不動。沿著箭頭方向旋轉前端套筒 (21)，以便將工具夾座打開至能夠取下工具的程度。

吸除廢塵/料屑

含鉛顏料、部分木材種類、礦石和金屬的加工廢塵有害健康。機器操作者或施工現場附近的人員如果接觸、吸入這些廢塵，可能會引發過敏反應或感染呼吸道疾病。

某些塵埃 (例如加工橡木或山毛櫸的廢塵) 可能致癌，特別是與處理木材的添加劑 (例如木材的防腐劑等) 結合之後。唯有受過專業訓練的人才能夠進行含石棉物料的加工。

- 儘可能使用適合物料的吸塵裝置。
- 工作場所要保持空氣流通。
- 建議佩戴 P2 過濾等級的口罩。

請留意並遵守貴國的物料加工相關法規。

- ▶ 避免讓工作場所堆積過多的塵垢。塵埃容易被點燃。

操作

操作機器

- ▶ 請注意：機器運作期間，Bluetooth® Low Energy Module GCY 42 的護蓋 (13) 應為關閉狀態。防止粉塵跑進機內。

安裝充電電池

- ▶ 只能使用 Bosch 原廠的鋰離子充電電池，電池的電壓必須和電動工具產品銘牌上提供的電壓值一致。若使用其他充電電池，可能導致人員受傷和造成起火。

- 按壓鎖止按鈕 (9)，即可防止電動工具意外啟動。
- 請將充好電的充電電池 (12) 推至機殼的充電接點，讓充電電池確實卡上。

設定操作模式 (請參考圖 I)

您可利用複合式開關 (7) 選擇電動工具的操作模式。

提示：請務必在電動工具關閉電源時才變更操作模式！否則可能造成電動工具損壞。

提示：如果您在起停開關處於鎖定狀態下時切換至其他操作模式，電動工具將因此關機。

- 將複合式開關 (7) 轉至所需位置 (此時應要聽見卡上的聲音)，即可變更操作模式。

鎚擊鑽孔位置，適用於混凝土或石材



配備快換夾頭 (1) 的

GBH 18V-34 CF：鑽孔位置是用來在木材、金屬、陶瓷及塑膠等材質上以無震動之方式進行鑽孔 (正轉)

逆轉位置是用來鬆開嵌件工具，使之從工件裡退出來



Vario-Lock 位置是用來調整鑿頭位置。



鑿削位置



啟動／關閉

- 必要時可解開起停開關的鎖止按鈕 (9)。
 - 若要啟動電動工具：按下起停開關 (11)。
- 輕按起停開關 (11) 或完全按下時，照明燈隨即亮起，可照亮光線不足的工作區域。
- 放開起停開關 (11)，即可讓電動工具停止運轉。

調整轉速／鎚擊次數

您可為已啟動的電動工具無段調控轉速／衝擊次數，轉速是由按壓起停開關 (11) 的深度決定。輕按起停開關 (11) 時，轉速／衝擊次數較低。逐漸在開關上加壓，轉速／衝擊次數也會跟著提高。您也可以到使用者介面上或利用智慧型手機 App 來調控轉速 (參見「選擇工作模式」，頁 72)。

改變鑿頭位置 (Vario-Lock)

鑿頭可固定在 16 個不同的位置上。藉此，您可採取最佳的工作姿勢。

- 把鑿頭插進工具夾座中。
- 請將複合式開關 (7) 轉至「Vario-Lock」位置。
- 把鑿頭旋轉到所需的工作位置上。
- 請將複合式開關 (7) 轉至「挖鑿」位置。工具夾座隨之鎖定。

顯示目前狀態

充電電池的電量指示器 (使用者介面) (23)	代表意義／原因	解決辦法
綠色 (2 至 5 格)	仍有足夠電力	-
黃色 (1 格)	充電電池的電量即將用盡	儘快更換充電電池或為其充電
紅色 (1 格)	充電電池的電量耗盡	更換充電電池或為其充電

挖鑿時使用鎖定功能

長時間挖鑿時，可將起停開關的位置鎖定在「挖鑿」操作模式上，於是您就不必一直按著起停開關 (11)。

- 若要鎖定起停開關 (11) 的位置，請將它完全按壓到底，然後同時按壓鎖止按鈕 (9)。
- 再按一次鎖止按鈕 (9) 即可關閉此項功能。

提示：如果您在起停開關處於鎖定狀態下時切換至其他操作模式，電動工具將因此關機。

過載離合器

- ▶ 如果工具卡住了，傳往主軸的動力會中斷。請務必用雙手握穩電動工具並採取穩固站姿，以隨時承受此時出現的作用力。
- ▶ 如果電動工具卡死，請關閉電動工具的電源，然後鬆開嵌件工具。啟動機器時如果安裝在機器上的鑽孔工具被卡住了，會產生高的反作用扭力。

快關功能 (Kickback Control)



與未配備 KickBack Control 的電動工具相較之下，快關功能 (KickBack Control) 可讓您更容易掌控電動工具，因此操作人員的安全性也就隨之獲得更多保障。電動工具的鑽孔轉軸只要一有非預期性的突發旋轉動作，將立即停機，此時快關功能指示器 (24) 將隨之亮起且工作燈 (14) 也會閃爍。快關功能啟用時，狀態指示器 (27) 呈紅色閃爍狀態。

- 此時若想繼續操作，則須將起停開關 (11) 放開後再重新按壓。

電子精密控制功能 (Electronic Precision Control)

電子精密控制功能可支援您在進行衝擊加工時，讓機器延緩全速啟動的時間以便您精準地進行加工。

「挖鑿」操作模式下的電子式轉速調控功能 (Adaptive Speed Control)



本電動工具是以低轉速啟動，然後再快速拉高至最大轉速，這樣的設計可方便您掌控機器並精準對位。電動工具只要一抵住，便會立刻自動啟用電子式轉速調控功能。

使用者介面 (請參考圖 J)

使用者介面 (19) 可用來選擇工作模式以及示意電動工具的目前狀態。

溫度指示器 (29)	代表意義／原因	解決辦法
黃色	充電電池或電動工具的操作溫度明顯提高，但功率下降	讓電動工具空轉並降溫冷卻或更換過熱的充電電池
紅色	已超過充電電池或電動工具的操作溫度，將關閉以保護電動工具	讓電動工具降溫冷卻或更換過熱的充電電池

電動工具狀態指示器 (27)	代表意義／原因	解決辦法
綠色	正常狀態	–
黃色	已達到臨界溫度或充電電池的電量即將用盡	讓電動工具空轉並降溫冷卻，或是儘快更換充電電池／為其充電
紅色	電動工具過熱或充電電池的電量耗盡	讓電動工具降溫冷卻，或是更換充電電池／為其充電
紅色	在「鎚擊鑽孔」操作模式下按下了鎖止按鈕	再按一次鎖止按鈕
	在操作期間按下了複合式開關	先將電動工具關機，然後再重新啟動
	馬達卡住，充電電池電力不足	為充電電池充電或使用建議的充電電池
	一般性的錯誤	– 將電動工具關閉然後重新開啟，或取下充電電池再重新裝入 – 將電動工具送交顧客服務處
紅色閃爍 – 連同快關功能指示器 (24)	快關功能已觸發	先將電動工具關機，然後再重新啟動
藍色閃爍	電動工具已與行動終端裝置連線，或正在傳輸設定	–

智慧型手機狀態指示器 (28)	代表意義／原因	解決辦法
綠色	通知您現在有額外資訊（例如商業廣告資訊）	若感興趣請到智慧型手機上進一步詳讀訊息內容
黃色	通知您現在有重要資訊（例如溫度警告）	請到智慧型手機上進一步詳讀訊息內容
紅色	通知您現在有攸關機器運轉的重大資訊（例如馬達因微控制器單元發生錯誤而停止運轉）	請立即到智慧型手機上詳讀訊息內容

選擇工作模式

- 反覆按壓工作模式選擇鈕 (26)，直到出現您想使用的工作模式。

提示：使用 **Favorite** 工作模式時，是透過智慧型手機 App 來設定各項功能；使用 **Auto** 和 **Soft** 工作模式時，則是系統已預設好各項功能。

工作模式指示器 (25)	功能
Auto 亮起	電動工具在 Auto 工作模式下可發揮最高性能。 <ul style="list-style-type: none"> – 「鎚擊鑽孔」操作模式：轉速快速拉高至 100 % 最高轉速，可讓您穩當地進行鑽孔 – 「挖鑿」操作模式：電子式轉速調控功能 (Adaptive Speed Control) – 快關功能 (Kickback Control)
Soft 亮起	Soft 工作模式是專門用來加工脆弱材質。 <ul style="list-style-type: none"> – 「鎚擊鑽孔」操作模式：EPC 啟用，轉速和緩地拉高至最高轉速的 80 %，可讓您溫和地進行鑽孔，此操作模式適合用來在脆弱表面上鎚擊鑽孔 – 「挖鑿」操作模式：電子式轉速調控功能 (Adaptive Speed Control) 設定得更加靈敏

工作模式指示器 (25) 功能

- 快關功能 (Kickback Control) 設定得更加靈敏

Favorite 亮起

使用 **Favorite** 工作模式時，可透過智慧型手機 App 自訂電動工具的功能。

- 「銼擊鑽孔」操作模式可設定成多段檔位：
功率透過轉速
電子精密控制功能 (Electronic Precision Control) 透過起轉速度
- 「挖鑿」操作模式：可選擇開啟或關閉電子式轉速調控功能 (Adaptive Speed Control)
- 可調整快關功能 (Kickback Control) 一直到機器關閉為止的靈敏度

連線後支援的功能

搭配使用 *Bluetooth*® Low Energy Module GCY 42 時，電動工具連線後提供以下功能：

- 註冊及植入個人化設置
- 狀態檢測、發送警告訊息
- 提供一般資訊、設定工具
- 管理

如需 *Bluetooth*® Low Energy Module **GCY 42** 的相關資訊，請詳讀其操作說明書。

電動工具透過 *Bluetooth*® 無線技術傳送資訊 (例如溫度警告) 至行動終端裝置時，將出現智慧型手機指示器 (28)。

作業注意事項

- ▶ 搭載 *Bluetooth*® Low Energy Module **GCY 42** 的電動工具配備無線介面。請您務必遵守不同場所的使用限制條件，例如在飛機或醫院內。
- ▶ 進入禁止使用 *Bluetooth*® 無線技術的區域時，*Bluetooth*® Low Energy Module **GCY 42** 以及鈕扣電池必須取下。

提示：電動工具內如有 *Bluetooth*® Low Energy Module GCY 42 和鈕扣電池時，務必確實關上護蓋 (13)。

- 若要關閉 *Bluetooth*® Low Energy Module GCY 42，請轉動鈕扣電池或在鈕扣電池和 *Bluetooth*® Low Energy Module GCY 42 之間置放一個絕緣件。
- 關上護蓋 (13)，讓灰塵無法侵入。

減震裝置

 內建減震裝置，可減緩震動。

- ▶ 如果減震裝備損壞了，勿繼續使用電動工具。

如何正確地使用充電電池

妥善保護充電電池，避免濕氣和水分滲入。
充電電池必須儲存在 -20 °C 至 50 °C 的環境中。
夏天不可以把充電電池擱置在汽車中。
偶爾用柔軟、乾淨且乾燥的毛刷清潔充電電池的通氣孔。
充電後如果充電電池的使用時間明顯縮短，代表充電電池已經損壞，必須更換新的充電電池。
請您遵照廢棄物處理相關指示。

維修和服務**保養與清潔**

- ▶ 在電動工具上進行任何維護的工作 (例如維修，更換工具等) 以及搬運和儲存電動工具之前，都必須電動工具中取出充電電池。若是不小心觸動起停開關，可能造成人員受傷。
- ▶ 電動工具和通風口都必須保持清潔，這樣才能夠提高工作品質和安全性。
- ▶ 防塵蓋若有受損，應立即更換。最好委託本公司的顧客服務處換裝。
- 每次使用後，請清潔工具夾座 (3)。
- 每次使用後，請清潔工具夾座。

顧客服務處和顧客諮詢中心

本公司顧客服務處負責回答有關本公司產品的維修、維護和備用零件的問題。以下的網頁中有分解圖和備用零件相關資料：www.bosch-pt.com
如果對本公司產品及其配件有任何疑問，博世應用諮詢小組很樂意為您提供協助。
當您需要諮詢或訂購備用零件時，請務必提供本產品型號銘牌上 10 位數的產品機號。

中國香港和澳門特別行政區

羅伯特·博世有限公司
香港北角英皇道625號21樓
客戶服務熱線：+852 2101 0235
傳真：+852 2590 9762
電子郵件：info@hk.bosch.com
www.bosch-pt.com.hk

台灣

台灣羅伯特博世股份有限公司
建國北路一段90號6樓
台北市10491
電話：(02) 7734 2588
傳真：(02) 2516 1176
www.bosch-pt.com.tw

製造商地址：

Robert Bosch Power Tools GmbH
羅伯特·博世電動工具有限公司
70538 Stuttgart / GERMANY
70538 斯圖加特/德國

搬運

隨貨附上的鋰離子充電電池受危險物品法的規範。使用者無須另外使用保護包裝便可運送該充電電池。

但是如果將它交由第三者運送（例如：寄空運或委託運輸公司），則應遵照包裝與標示的相關要求。此時必須向危險物品專家請教有關寄送危險物品的相關事宜。

確定充電電池的外殼未受損後，才可以寄送充電電池。用膠帶貼住裸露的接點並妥善包裝充電電池，不可以讓充電電池在包裝材料中晃動。同時也應留意各國相關法規。

廢棄物處理



必須以符合環保的方式，將損壞的電動工具、充電電池、配件和包裝材料進行回收再利用。



不可以把電動工具和充電電池／拋棄式電池丟入一般家庭垃圾中！

充電電池／拋棄式電池：

鋰離子：

請注意「搬運」段落中的指示（參見「搬運」，頁 74）。

ไทย

คำเตือนเพื่อความปลอดภัย

คำเตือนเพื่อความปลอดภัยทั่วไปในการใช้เครื่องมือไฟฟ้า

⚠ คำเตือน

อ่านคำเตือนเพื่อความปลอดภัยและคำสั่งทั้งหมด การไม่ปฏิบัติตามคำ

เตือนและคำสั่งอาจเป็นสาเหตุให้ถูกไฟฟ้าดูด เกิดไฟไหม้ และ/หรือได้รับบาดเจ็บอย่างร้ายแรง

เก็บรักษาคำเตือนและคำสั่งทั้งหมดสำหรับเปิดอ่านในภายหลัง

คำว่า "เครื่องมือไฟฟ้า" ในคำเตือนหมายถึง เครื่องมือไฟฟ้าของท่านที่ทำงานด้วยพลังงานไฟฟ้าจากแหล่งจ่ายไฟหลัก (มีสายไฟฟ้า) และเครื่องมือไฟฟ้าที่ทำงานด้วยพลังงานไฟฟ้าจากแบตเตอรี่ (ไร้สาย)

ความปลอดภัยในสถานที่ทำงาน

- ▶ รักษาสถานที่ทำงานให้สะอาดและมีไฟส่องสว่างดี สถานที่ที่มีมืดหรือรกรุงรังนำมาซึ่งอุบัติเหตุ

- ▶ อย่าใช้เครื่องมือไฟฟ้าทำงานในสภาพบรรยากาศที่จุดติดไฟได้ เช่น ในที่ที่มีช่องของเหลวไวไฟ ก๊าซ หรือฝุ่น เมื่อใช้เครื่องมือ

มือไฟฟ้าจะเกิดประกายไฟซึ่งอาจจุดฝุ่นหรือไอให้ลุกเป็นไฟได้

- ▶ ขณะใช้เครื่องมือไฟฟ้าทำงาน ต้องกั้นเด็กและผู้ยืนดูให้ออกห่าง

การหันเหความสนใจอาจทำให้ท่านขาดการควบคุมเครื่องมือ

ความปลอดภัยเกี่ยวกับไฟฟ้า

- ▶ ปลั๊กของเครื่องมือไฟฟ้าต้องเหมาะสมพอดีกับเต้าเสียบ

อย่าตัดแปลงปลั๊กไม่ว่าในลักษณะใดๆ อย่างเด็ดขาด อย่าใช้ปลั๊กฟ่วงต่อใดๆ กับเครื่องมือไฟฟ้าที่มีสายดิน ปลั๊กที่ไม่ตัดแปลงและเต้าเสียบที่เข้ากันช่วยลดความเสี่ยงจากการถูกไฟฟ้าดูด

- ▶ หลีกเลี่ยงอย่าให้ร่างกายสัมผัสกับพื้นผิวที่ต่อสายดินหรือลงกราวด์ไว้ เช่น ท่อ เครื่องทำความร้อน เต้า และตู้เย็น จะเสี่ยงอันตรายจากการถูกไฟฟ้าดูดมากขึ้นหากกระแสไฟฟ้าวิ่งผ่านร่างกายของท่านลงดิน

- ▶ อย่าให้เครื่องมือไฟฟ้าถูกฝนหรืออยู่ในสภาพเปียกชื้น หากน้ำเข้าในเครื่องมือไฟฟ้า จะเพิ่มความเสี่ยงจากการถูกไฟฟ้าดูด

- ▶ อย่าใช้สายไฟฟ้าในทางที่ผิด อย่าใช้สายไฟฟ้าเพื่อยก ดึง หรือถอดปลั๊กเครื่องมือไฟฟ้า กั้นสายไฟฟ้าออกห่างจากความร้อน น้ำมัน ขอบแหลมคม หรือชิ้นส่วนที่เคลื่อนที่ สายไฟฟ้าที่ชำรุดหรือพันกันยุ่งเพิ่มความเสี่ยงจากการถูกไฟฟ้าดูด

- ▶ เมื่อใช้เครื่องมือไฟฟ้าทำงานกลางแจ้ง ให้ใช้สายไฟต่อที่เหมาะสมสำหรับการใช้งานกลางแจ้ง การใช้สายไฟต่อที่เหมาะสมสำหรับงานกลางแจ้งช่วยลดอันตรายจากการถูกไฟฟ้าดูด

- ▶ หากไม่สามารถหลีกเลี่ยงการใช้เครื่องมือไฟฟ้าทำงานในสถานที่เปียกชื้นได้ ให้ใช้สวิตช์ตัดวงจรเมื่อเกิดการรั่วไหลของไฟฟ้าจากสายดิน (RCD) การใช้สวิตช์ตัดวงจรเมื่อเกิดการรั่วไหลของไฟฟ้าจากสายดินช่วยลดความเสี่ยงต่อการถูกไฟฟ้าดูด

ความปลอดภัยของบุคคล

- ▶ ท่านต้องอยู่ในสภาพเตรียมพร้อม ระมัดระวังในสิ่งที่ท่านกำลังทำอยู่ และมีสติขณะใช้เครื่องมือไฟฟ้าทำงาน อย่าใช้เครื่องมือไฟฟ้าขณะที่ท่านกำลังเหนื่อยหรืออยู่ภายใต้การครอบงำของฤทธิ์ของยาเสพติด แอลกอฮอล์ และยา เมื่อใช้เครื่องมือไฟฟ้าทำงาน

ในช่วงเวลาที่ท่านขาดความเอาใจใส่อาจทำให้บุคคลบาดเจ็บอย่างรุนแรงได้

- ▶ **ใช้อุปกรณ์ปกป้องร่างกาย สวมแว่นตาป้องกันเสมอ** อุปกรณ์ปกป้อง เช่น หน้ากากกันฝุ่น รองเท้านิรภัย หมวกแข็ง หรือประคบหูกันเสียงดัง ที่เลือกใช้ตามความเหมาะสมกับสภาพการทำงาน สามารถลดอันตรายต่อบุคคลได้
- ▶ **ป้องกันการติดเครื่องโดยไม่ตั้งใจ** ตรวจสอบให้แน่ใจว่าสวิตช์อยู่ในตำแหน่งปิดก่อนเชื่อมต่อเข้ากับแหล่งจ่ายไฟ และ/หรือแบตเตอรี่แพ็ค ยกหรือถือเครื่องถือเครื่องโดยใช้นิ้วหัวที่สวิตช์ หรือเสียบปลั๊กไฟในขณะที่สวิตช์เปิดอยู่ อาจนำไปสู่อุบัติเหตุที่ร้ายแรงได้
- ▶ **นำเครื่องมือปรับแต่งหรือประแจปากตายออกก่อนเปิดสวิตช์เครื่องมือไฟฟ้า** เครื่องมือหรือประแจปากตายที่วางอยู่กับส่วนของเครื่องที่กำลังหมุนจะทำให้บุคคลบาดเจ็บได้

- ▶ **อย่าเอื้อมไกลเกินไป** ตั้งหาชิ้นที่มั่นคงและวางน้ำหนักให้สมดุลตลอดเวลา

ในลักษณะนี้ท่านสามารถควบคุมเครื่องมือไฟฟ้าในสถานการณ์ที่ไม่คาดคิดได้ดีกว่า

- ▶ **แต่งกายอย่างเหมาะสม** อย่าใส่เสื้อผ้าหลวมหรือสวมเครื่องประดับ เอาหมวก เสื้อผ้า และถุงมือ ออกจากชิ้นส่วนที่กำลังหมุน เสื้อผ้าหลวม เครื่องประดับ และผมยาวอาจเข้าไปติดในส่วนของเครื่องที่กำลังหมุนได้
- ▶ **หากเครื่องมือไฟฟ้ามีข้อเชื่อมต่อกับเครื่องดูดฝุ่นหรือเครื่องเก็บผง ให้ตรวจสอบให้แน่ใจว่าได้เชื่อมต่อและใช้งานอย่างถูกต้อง** การใช้อุปกรณ์ดูดฝุ่นช่วยลดอันตรายที่เกิดจากฝุ่นได้

การใช้และการดูแลรักษาเครื่องมือไฟฟ้า

- ▶ **อย่างฝืนกำลังเครื่องมือไฟฟ้า** ใช้เครื่องมือไฟฟ้าที่ถูกต้องตรงตามลักษณะงานของท่าน เครื่องมือไฟฟ้าที่ถูกต้องจะทำงานได้ดีกว่าและปลอดภัยกว่าในระดับสมรรถภาพที่ออกแบบไว้
- ▶ **อย่าใช้เครื่องมือไฟฟ้าถ้าสวิตช์ไม่สามารถเปิดปิดได้** เครื่องมือไฟฟ้าที่ไม่สามารถควบคุมการเปิดปิดด้วยสวิตช์ได้ เป็นเครื่องมือไฟฟ้าที่ไม่ปลอดภัยและต้องส่งซ่อมแซม
- ▶ **ก่อนปรับแต่งเครื่อง** เปลี่ยนอุปกรณ์ประกอบ หรือเก็บเครื่องมือไฟฟ้าเข้าที่ ต้องถอดปลั๊กไฟออกจากแหล่งจ่ายไฟ และ/หรือถอดแบตเตอรี่แพ็คออกจากเครื่องมือไฟฟ้า มาตรการป้องกันเพื่อความปลอดภัยนี้ช่วยลดความเสี่ยงจากการติดเครื่องโดยไม่ตั้งใจ
- ▶ **เมื่อเลิกใช้งานเครื่องมือไฟฟ้า** ให้เก็บเครื่องมือไว้ในที่ที่เด็กหยิบไม่ถึง และไม่อนุญาตให้บุคคลที่ไม่คุ้นเคยกับ

เครื่องหรือบุคคลที่ไม่ได้อ่านคำแนะนำเหล่านี้ใช้เครื่องมือเครื่องมือไฟฟ้าเป็นของอันตรายหากตกอยู่ในมือของผู้ใช้ที่ไม่ได้รับการฝึกฝน

- ▶ **บำรุงรักษาเครื่องมือไฟฟ้า** ตรวจสอบชิ้นส่วนที่เคลื่อนที่ว่าวางไม่ตรงแนวหรือติดขัดหรือไม่ ตรวจสอบการแตกหักของชิ้นส่วนและสภาพอื่นใดที่อาจมีผลต่อการทำงานของเครื่องมือไฟฟ้า หากชำรุดต้องส่งเครื่องมือไฟฟ้าไปซ่อมแซมก่อนใช้งาน อุบัติเหตุหลายอย่างเกิดขึ้นเนื่องจากดูแลรักษาเครื่องมือไม่ดีพอ
- ▶ **รักษาเครื่องมือตัดให้คมและสะอาด** หากบำรุงรักษาเครื่องมือที่มีขอบตัดแหลมคมอย่างถูกต้องจะสามารถตัดได้สั้นไม่ติดขัดและควบคุมได้ง่ายกว่า
- ▶ **ใช้เครื่องมือไฟฟ้า อุปกรณ์ประกอบ เครื่องมือ และอุปกรณ์อื่นๆ** ตรงตามคำแนะนำเหล่านี้ โดยคำนึงถึงเงื่อนไขการทำงานและงานที่จะทำ การใช้เครื่องมือไฟฟ้าทำงานที่ต่างไปจากวัตถุประสงค์การใช้งานของเครื่องมือ อาจนำไปสู่สถานการณ์ที่เป็นอันตรายได้

การใช้และการดูแลรักษาเครื่องที่ใช้แบตเตอรี่

- ▶ **ชาร์จไฟใหม่ด้วยเครื่องชาร์จที่บริษัทผู้ผลิตระบุไว้เท่านั้น**

เครื่องชาร์จที่เหมาะสมสำหรับชาร์จแบตเตอรี่แพ็คประเภทหนึ่ง หากนำไปชาร์จแบตเตอรี่แพ็คประเภทอื่น อาจเกิดไฟไหม้ได้

- ▶ **ใช้เครื่องมือไฟฟ้าเฉพาะกับแบตเตอรี่แพ็คที่กำหนดไว้เท่านั้น** การใช้แบตเตอรี่แพ็คประเภทอื่นเสี่ยงต่อการเกิดไฟไหม้หรือบาดเจ็บ

- ▶ **เมื่อไม่ใช้งานแบตเตอรี่แพ็ค** ให้เก็บไว้ห่างวัตถุที่เป็นโลหะอื่นๆ เช่น คลิปหนีบกระดาษ เหรียญ กุญแจ ตะปู สกรู หรือวัตถุที่เป็นโลหะขนาดเล็กอื่นๆ ที่สามารถเชื่อมต่อชั่วคราวไปยังอีกข้างหนึ่งได้ การลัดวงจรของขั้วแบตเตอรี่อาจทำให้เกิดการไหม้หรือฟลุคได้

- ▶ **หากใช้แบตเตอรี่อย่างอาจมีของเหลวไหลออกมาจากแบตเตอรี่ได้** ให้หลีกเลี่ยงการสัมผัส หากสัมผัสโดยบังเอิญ ให้ใช้น้ำล้าง หากของเหลวเข้าตา ให้ขอความช่วยเหลือจากแพทย์ด้วย ของเหลวที่ไหลออกมาจากแบตเตอรี่อาจทำให้เกิดอาการคันหรือแสบผิวหนังได้

การบริการ

- ▶ **ส่งเครื่องมือไฟฟ้าของท่านเข้ารับบริการจากช่างซ่อมที่มีคุณสมบัติเหมาะสม** โดยใช้อะไหล่ที่เหมือนกันเท่านั้น ในลักษณะนี้ท่านจะแน่ใจได้ว่าเครื่องมือไฟฟ้าอยู่ในสภาพที่ปลอดภัย

คำเตือนเพื่อความปลอดภัยสำหรับส่วนกระแทก

- ▶ **สวมปรอทป้องกันเสียงดัง** การรับฟังเสียงดังอาจทำให้สูญเสียการได้ยิน
- ▶ **ใช้ตามจับเพิ่มหากจัดส่งมาพร้อมกับเครื่องการสูญเสียการควบคุม** อาจทำให้บุคคลได้รับบาดเจ็บ
- ▶ **เมื่อทำงานในบริเวณที่เครื่องมือตัดอาจสัมผัสสายไฟฟ้าที่ซ่อนอยู่** ต้องจับเครื่องมือไฟฟ้าตรงพื้นผิวจับที่หุ้มฉนวน หากเครื่องมือตัดสัมผัสสายที่ "มีกระแสไฟฟ้า" ไหลผ่าน จะทำให้ชิ้นส่วนโลหะที่ไม่ได้หุ้มฉนวนของเครื่องมือไฟฟ้าเกิด "มีกระแสไฟฟ้า" ด้วย และส่งผลให้ผู้ใช้งานเครื่องถูกไฟฟ้าดูดได้
- ▶ **ใช้เครื่องตรวจจับที่เหมาะสมเพื่อตรวจสอบหาสายไฟฟ้าหรือท่อสาธารณูปโภคที่อาจซ่อนอยู่ในบริเวณทำงานหรือติดต่อบริษัทสาธารณูปโภคในพื้นที่เพื่อขอความช่วยเหลือ** การสัมผัสกับสายไฟฟ้าอาจทำให้เกิดไฟไหม้หรือถูกไฟฟ้าดูด การทำให้ท่อแก๊สเสียหายอาจทำให้เกิดระเบิด การเจาะเข้าไปในท่อน้ำ ทำให้ทรัพย์สินเสียหาย
- ▶ **รอให้เครื่องมือไฟฟ้าหยุดสนิทก่อนวางเครื่องลงบนพื้น** เครื่องมือที่ใส่อยู่อาจติดขัดและทำให้สูญเสียการควบคุมเครื่องมือไฟฟ้า
- ▶ **ยึดชิ้นงานให้แน่น** การยึดชิ้นงานด้วยเครื่องมือหรือแท่นจับจะมั่นคงกว่าการยึดด้วยมือ
- ▶ **เมื่อแบตเตอรี่ชาร์จและนำไปใช้งานอย่างไม่ถูกต้อง อาจมีไอระเหยออกมาได้** แบตเตอรี่อาจเผาไหม้หรือระเบิดได้ ให้สูดอากาศบริสุทธิ์และไปพบแพทย์ในกรณีเจ็บปวด ไอระเหยอาจทำให้ระบมหายใจระคายเคือง
- ▶ **อย่าเปิดแบตเตอรี่** อันตรายจากการลัดวงจร
- ▶ **วัตถุที่แหลมคม ต. ย. เช่น ตะปูหรือไขควง หรือแรงกระทำภายนอก** อาจทำให้แบตเตอรี่เสียหายได้ สิ่งเหล่านี้ อาจทำให้เกิดการลัดวงจรภายในและแบตเตอรี่ใหม่ มีควัน ระเบิด หรือร้อนเกินไป
- ▶ **ใช้แบตเตอรี่แพ็คเกจเฉพาะในผลิตภัณฑ์ของผู้ผลิตเท่านั้น** ในลักษณะนี้ แบตเตอรี่แพ็คเกจได้รับการปกป้องจากการใช้งานเกินกำลังซึ่งเป็นอันตราย



ปกป้องแบตเตอรี่จากความร้อน รวมทั้ง ต. ย. เช่น จากการถูกแสงแดดส่องต่อเนื่อง จากไฟลิ่งสปริง น้ำ และความชื้น อันตรายจากการระเบิดและการลัดวงจร



- ▶ **จับเครื่องมือไฟฟ้าให้แน่นด้วยมือทั้งสองข้างและตั้งท่ายืนใหม่** ณ ขณะทำงาน ท่านจะสามารถนำทางเครื่องมือไฟฟ้าได้ปลอดภัยกว่าเมื่อจับเครื่องมือด้วยมือทั้งสองข้าง
- ▶ **ระวัง!** การใช้เครื่องมือไฟฟ้าพร้อม Bluetooth® อาจรบกวนอุปกรณ์และเครื่องมืออื่นๆ เครื่องบิน และ

อุปกรณ์ทางการแพทย์ (เช่น เครื่องกระตุ้นหัวใจ เครื่องช่วยฟัง) นอกจากนี้ยังอาจเกิดความเสียหายต่อคนและสัตว์ในบริเวณใกล้เคียงด้วย อย่าใช้เครื่องมือไฟฟ้าพร้อม Bluetooth® ใกล้อุปกรณ์ทางการแพทย์ สถานีบริการน้ำมัน โรงงานสารเคมี พื้นที่ที่มีบรรยากาศเสี่ยงต่อการระเบิด และพื้นที่ปฏิบัติการระเบิด อย่าใช้เครื่องมือไฟฟ้าพร้อม Bluetooth® ในเครื่องบิน หลีกเลี่ยงการทำงานเป็นระยะเวลานานตรงบริเวณใกล้ร่างกายโดยตรง

เครื่องหมายข้อความ Bluetooth® และยี่ห้อเป็นเครื่องหมายการค้าจดทะเบียนและเป็นกรรมสิทธิ์ของ Bluetooth SIG, Inc. บริษัท Robert Bosch Power Tools GmbH ได้รับใบอนุญาตใช้งานเครื่องหมายข้อความ/โลโก้ดังกล่าว

รายละเอียดผลิตภัณฑ์และข้อมูล

จำเพาะ



อ่านคำเตือนเพื่อความปลอดภัยและคำแนะนำทั้งหมด การไม่ปฏิบัติตามคำเตือนและคำสั่งอาจเป็นสาเหตุให้ถูกไฟฟ้าดูด เกิดไฟไหม้ และ/หรือได้รับบาดเจ็บอย่างร้ายแรง

กรุณาดูภาพประกอบในส่วนหน้าของคู่มือการใช้งาน

ประโยชน์การใช้งานของเครื่อง

เครื่องมือไฟฟ้านี้ใช้สำหรับเจาะตอกในคอนกรีต งานก่ออิฐและหิน และสำหรับงานสกัดเบาๆ และปานกลาง เครื่องมือไฟฟ้าที่มีระบบหยุดกระแสหรือหัวจับตอกสำหรับตอกสว่านก้านกลมยังเหมาะสำหรับใช้เจาะโดยไม่กระแสตกในไม้ โลหะ เซรามิก และพลาสติกอีกด้วย

เมื่อมี Bluetooth® Low Energy Module GCY 42 ใส่อยู่ท่านจะสามารถถ่ายโอนข้อมูลและการตั้งค่าของเครื่องมือไฟฟ้าระหว่างเครื่องมือไฟฟ้าและอุปกรณ์เคลื่อนที่ปลายทางผ่านเทคโนโลยีไร้สาย Bluetooth®

ส่วนประกอบที่แสดงภาพ

ลำดับเลขของส่วนประกอบผลิตภัณฑ์อ้างอิงถึงส่วนประกอบของเครื่องที่แสดงในหน้าภาพประกอบ

- (1) หัวจับดอกแบบเปลี่ยนเร็วหนีบเร็วพร้อมระบบหยุดกระแสตัดเสถียร
- (2) หัวจับดอกชนิดเปลี่ยนเร็ว SDS-plus
- (3) ตามจับเครื่องมือ SDS-plus
- (4) ฝาครอบกันฝุ่น
- (5) ปลอกสำหรับล้อ

- (6) แหวนล็อกสำหรับหัวจับดอกชนิดเปลี่ยนเร็ว
- (7) สวิตช์รวมสำหรับโหมดทำงานและการหมุนทางซ้าย/ขวา
- (8) ตัวหน่วงการสั่นสะเทือน
- (9) ปุ่มล็อกสวิตช์เปิด-ปิด
- (10) ด้ามจับ (พื้นผิวจับหุ้มฉนวน)
- (11) สวิตช์เปิด-ปิด
- (12) แบตเตอรี่^{A)}
- (13) ฝาครอบ Bluetooth® Low Energy Module GCY 42
- (14) ไฟส่องบริเวณทำงาน
- (15) ปุ่มสำหรับปรับก้านวัดความลึก
- (16) ด้ามจับเพิ่ม (พื้นผิวจับหุ้มฉนวน)
- (17) ก้านวัดความลึก
- (18) แป้นปลดล็อกแบตเตอรี่^{A)}
- (19) อินเทอร์เน็ตผู้ใช้งาน
- (20) ขอรืบทันหัวจับดอก
- (21) ปลอกหน้าของหัวจับดอกชนิดเปลี่ยนเร็ว
- (22) แหวนกันของหัวจับชนิดเปลี่ยนเร็ว
- (23) ไฟแสดงสถานะการชาร์จแบตเตอรี่ (อินเทอร์เน็ตผู้ใช้งาน)
- (24) ไฟแสดงการปิดระบอบอย่างรวดเร็ว (Kickback Control) (อินเทอร์เน็ตผู้ใช้งาน)
- (25) ไฟแสดงโหมดงาน (อินเทอร์เน็ตผู้ใช้งาน)
- (26) ปุ่มสำหรับเลือกโหมดงาน (อินเทอร์เน็ตผู้ใช้งาน)
- (27) ไฟแสดงสถานะเครื่องมือไฟฟ้า (อินเทอร์เน็ตผู้ใช้งาน)
- (28) ไฟแสดงสมาร์ทโฟน (อินเทอร์เน็ตผู้ใช้งาน)
- (29) ไฟแสดงอุณหภูมิ (อินเทอร์เน็ตผู้ใช้งาน)

A) อุปกรณ์ประกอบที่แสดงภาพหรืออธิบายไม่รวมอยู่ในการจัดส่งมาตรฐาน กรุณาดูอุปกรณ์ประกอบทั้งหมดในรายการแสดงอุปกรณ์ประกอบของเรา

ข้อมูลทางเทคนิค

ส่วนกระแทกไร้สาย	GBH 18V-34 CF	
หมายเลขสินค้า		3 611 J140..
แรงดันไฟฟ้าพิกัด	V=	18
กำลังไฟฟ้าพิกัดด้านเข้า	วัตต์	750
อัตรากระแทก ^{A)}	min ⁻¹	0-2900

ส่วนกระแทกไร้สาย		GBH 18V-34 CF	
พลังงานกระแทกต่อครั้งตามระเบียบการ EPTA-Procedure 05:2016	จูล		5,8
อัตราความเร็วพิกัด			
- การหมุนทางขวา	รอบ/นาที		0-500
- การหมุนทางซ้าย	รอบ/นาที		0-500
ด้ามจับเครื่องมือ			SDS-plus
เส้นผ่าศูนย์กลางปลอกแกน	มม.		74
เส้นผ่าศูนย์กลางเจาะสูงสุด:			
- คอนกรีต	มม.		32
- งานก่ออิฐ (ด้วยดอกเจาะคว้าน)	มม.		40-82
- เหล็กกล้า	มม.		13
- ไม้	มม.		40
น้ำหนักตามระเบียบการ EPTA-Procedure 01:2014 ^{A)}	กก.		5.2-6.3
ความยาว	มม.		430
ความสูง	มม.		250
อุณหภูมิโดยรอบที่แนะนำเมื่อชาร์จ	°C		0 ... +35
อุณหภูมิโดยรอบที่อนุญาตเมื่อใช้งาน ^{B)} และระหว่างการเก็บรักษา	°C		-20 ... +50
แบตเตอรี่ที่ใช้งานร่วมกันได้			GBA 18V... ProCORE18V...
แบตเตอรี่ที่แนะนำให้ใช้อย่างเต็มประสิทธิภาพ			ProCORE18V... ≥ 5.5 Ah
เครื่องชาร์จที่แนะนำ			GAL 18... GAX 18V... GAL 36...
การถ่ายโอนข้อมูล			
Bluetooth®			Bluetooth® 4.2 (Low Energy) ^{C)}
ระยะทางสัญญาณ	วินาที		8

ส่วนการแพคเกจ	GBH 18V-34 CF
ช่วงสัญญาณสูงสุด ^{D)}	ม. 30

- A) ขึ้นอยู่กับแบตเตอรี่แพ็คเกจที่ใช้
- B) สมรรถภาพจะน้อยลงที่อุณหภูมิ <0 °C
- C) อุปกรณ์เคลื่อนที่ปลายทางต้องเข้ากันได้กับอุปกรณ์ Bluetooth®-Low-Energy (รุ่น 4.2) และรองรับ Generic Access Profile (GAP)
- D) ช่วงสัญญาณอาจแตกต่างกันมาก ทั้งนี้ขึ้นอยู่กับเงื่อนไขภายนอก รวมทั้งอุปกรณ์รับสัญญาณที่ใช้ ภายในพื้นที่ปิดและเมื่อผ่านสิ่งกีดขวางที่เป็นโลหะ (ต. ย. เช่น ผนัง ชั้นวางของ กระเป๋าเดินทาง ฯลฯ) ช่วงสัญญาณ Bluetooth® อาจลดลงอย่างชัดเจน

การติดตั้ง

- ▶ ก่อนปรับแต่งเครื่องมือไฟฟ้า (เช่น บำรุงรักษา เปลี่ยนเครื่องมือ ฯลฯ) และเมื่อขนย้ายและเก็บรักษาให้กดปุ่มล็อคเพื่อล็อคสวิตช์เปิด-ปิด อันตรายจากการบาดเจ็บหากสวิตช์เปิด-ปิดติดขึ้นโดยไม่ตั้งใจ

การใส่ Bluetooth® Low Energy Module GCY 42

สำหรับข้อมูลเกี่ยวกับโมดูล Bluetooth[®]GCY 42[®] Low Energy Module กรุณาอ่านหนังสือคู่มือการใช้งานที่เกี่ยวข้อง

การชาร์จแบตเตอรี่

- ▶ ใช้เฉพาะเครื่องชาร์จแบตเตอรี่ที่ระบุในข้อมูลทางเทคนิคเท่านั้น เฉพาะเครื่องชาร์จแบตเตอรี่เหล่านี้เท่านั้นที่เข้าชุดกับแบตเตอรี่ลิเธียม ไอออน ของเครื่องมือไฟฟ้าของท่าน

หมายเหตุ: แบตเตอรี่แพ็คเกจที่จัดส่งมาถูกชาร์จมาแล้วบางส่วน เพื่อให้แบตเตอรี่แพ็คเกจทำงานได้เต็มประสิทธิภาพ ต้องชาร์จแบตเตอรี่แพ็คเกจ

ในเครื่องชาร์จแบตเตอรี่ให้เต็มก่อนใช้งานเครื่องมือไฟฟ้าของท่านเป็นครั้งแรก

แบตเตอรี่ลิเธียม ไอออน

สามารถชาร์จได้ตลอดเวลาโดยอายุการใช้งานจะไม่ลดลง การขัดจังหวะกระบวนการชาร์จไม่ทำให้แบตเตอรี่แพ็คเกจเสียหาย “Electronic Cell Protection (ECP)” ช่วยป้องกันไม่ให้แบตเตอรี่ลิเธียม ไอออน จ่ายกระแสไฟออกอีกเมื่อแบตเตอรี่แพ็คเกจหมดไฟ วงจรป้องกันจะดับสวิตช์เครื่องมือไฟฟ้าที่ใส่อยู่จะไม่หมุนต่อ

- ▶ เมื่อเครื่องมือไฟฟ้าปิดสวิตช์ลงโดยอัตโนมัติ อย่างคสวิตช์เปิด-ปิด อีกต่อไป แบตเตอรี่แพ็คเกจอาจชาร์จได้อ่านและปฏิบัติตามข้อสังเกตสำหรับการกำจัดขยะ

การถอดแบตเตอรี่

แบตเตอรี่ (12) มีการล็อคสองระดับเพื่อป้องกันไม่ให้แบตเตอรี่ร่วงหล่นออกมากหากกดแป้นปลดล็อคแบตเตอรี่ (18) โดยไม่ตั้งใจ เมื่อแบตเตอรี่ถูกรวบรวมอยู่ในเครื่องมือไฟฟ้า สปริงจะยึดแบตเตอรี่ให้เข้าตำแหน่ง

– เมื่อต้องการถอดแบตเตอรี่ (12) ออกให้กดแป้นปลดล็อคแบตเตอรี่ (18) และดึงแบตเตอรี่ออกจากเครื่องมืออย่าใช้กำลังดึง

ไฟแสดงสถานะการชาร์จแบตเตอรี่

ไฟ LED สีเขียวของการแสดงสถานะการชาร์จแบตเตอรี่แสดงสถานะการชาร์จของแบตเตอรี่ ด้วยเหตุผลด้านความปลอดภัยที่ท่านสามารถตรวจสอบสถานะการชาร์จเฉพาะเมื่อเครื่องมือไฟฟ้าหยุดสนิทเท่านั้น

กดปุ่มสำหรับไฟแสดงสถานะการชาร์จแบตเตอรี่ ☺ หรือ ☹ เพื่อแสดงสถานะการชาร์จ ท่านสามารถกดได้แม้เมื่อได้ถอดแบตเตอรี่ออกแล้ว

หลังจากกดปุ่มสำหรับไฟแสดงสถานะการชาร์จแบตเตอรี่แล้วไฟ LED ไม่ติดขึ้น แสดงว่าแบตเตอรี่พร้อมและต้องเปลี่ยนใหม่

หมายเหตุ: สถานะการชาร์จแบตเตอรี่จะปรากฏบน user interface (19) ด้วย ไฟแสดงสถานะ

แบตเตอรี่-ชนิด GBA 18V...



LED	ความจุ
ส่องสว่างต่อเนื่อง 3× สีเขียว	60–100 %
ส่องสว่างต่อเนื่อง 2× สีเขียว	30–60 %
ส่องสว่างต่อเนื่อง 1× สีเขียว	5–30 %
ไฟกะพริบ 1× สีเขียว	0–5 %

แบตเตอรี่-ชนิด ProCORE18V...



LED	ความจุ
ส่องสว่างต่อเนื่อง 5× สีเขียว	80–100 %
ส่องสว่างต่อเนื่อง 4× สีเขียว	60–80 %
ส่องสว่างต่อเนื่อง 3× สีเขียว	40–60 %
ส่องสว่างต่อเนื่อง 2× สีเขียว	20–40 %
ส่องสว่างต่อเนื่อง 1× สีเขียว	5–20 %
ไฟกะพริบ 1× สีเขียว	0–5 %

ด้ามจับเพิ่ม

▶ ใช้เครื่องมือไฟฟ้าร่วมกับด้ามจับเพิ่ม (16) เสมอ

การหมุนด้ามจับเพิ่ม (ดูภาพประกอบ A)

ท่านสามารถจับด้ามจับเพิ่ม (16) หนีไปยังตำแหน่งใดก็ได้ เพื่อให้ได้ท่าทำงานที่มั่นคงและเหนียวแน่น

- หมุนก้านจับด้านล่างของด้ามจับเพิ่ม (16) ทวนเข็มนาฬิกา และหันด้ามจับเพิ่ม (16) ไปยังตำแหน่งที่ต้องการ จากนั้นจึงหมุนก้านจับด้านล่างของด้ามจับเพิ่ม (16) ในทิศทางเข็มนาฬิกากลับเข้าที่ให้แน่น ตรวจสอบให้แน่ใจว่าสายรัดปรับความตึงของด้ามจับเพิ่มอยู่ในร่องที่ตัวเครื่อง

การปรับความลึกการเจาะ (ดูภาพประกอบ B)

ท่านสามารถใช้ก้านวัดความลึก (17) เพื่อตั้งความลึกการเจาะ X ที่ต้องการ

- กดปุ่มสำหรับปรับก้านวัดความลึก (15) และใส่ก้านวัดความลึกเข้าไปในด้ามจับเพิ่ม (16) ต้องหันพื้นผิวที่เป็นร่องบนก้านวัดความลึก (17) ลงด้านล่าง
- ดันเครื่องมือ SDS-plus เข้าในด้ามจับเครื่องมือ SDS-plus (3) จนสุด หากเครื่องมือ SDS-plus เคลื่อนไหว อาจทำให้ปรับความลึกการเจาะได้ไม่ถูกต้อง
- ดึงก้านวัดความลึกออกมาจนระยะห่างระหว่างปลายดอกสว่านและปลายก้านวัดความลึกเท่ากับความลึกการเจาะที่ต้องการ X

การเลือกหัวจับดอกและเครื่องมือ

สำหรับการเจาะดอกและการสกัดต้องใช้เครื่องมือ SDS-plus ที่ใส่ในหัวจับดอก SDS-plus

สำหรับการเจาะโดยไม่กระทบแก๊สในไม้ โลหะ เซรามิก และพลาสติก รวมทั้งการขันสกรู ต้องใช้เครื่องมือที่ไม่มี SDS-plus (ต. ย. เช่น ดอกสว่านที่มีก้านทรงกระบอก) สำหรับเครื่องมือเหล่านี้ต้องใช้หัวจับดอกแบบเปลี่ยนเร็วหนีบเร็ว (1) พร้อมระบบหยุดกระแทกเบ็ดเสร็จ

หมายเหตุ: เฉพาะหัวจับดอกแบบเปลี่ยนเร็วหนีบเร็ว (1) พร้อมระบบหยุดกระแทกเบ็ดเสร็จเท่านั้นที่จะทำให้อุ่นใจได้ว่าเครื่องมือที่ใส่อยู่จะไม่เสียหาย

การถอด/การใส่หัวจับดอกชนิดเปลี่ยนเร็ว

การถอดหัวจับดอกแบบเปลี่ยนเร็ว (ดูภาพประกอบ C)

- ดึงแหวนล็อกสำหรับหัวจับดอกแบบเปลี่ยนเร็ว (6) ไปด้านหลัง จับแหวนล็อกให้อยู่ในตำแหน่งนี้ และดึงหัวจับดอกแบบเปลี่ยนเร็ว SDS-plus (2) หรือหัวจับดอกแบบเปลี่ยนเร็วหนีบเร็ว (1) ออกจากด้านหน้า

- เมื่อถอดดอกแล้ว ต้องป้องกันหัวจับดอกไม่ให้เอนสกปรก

การใส่หัวจับดอกแบบเปลี่ยนเร็ว (ดูภาพประกอบ D)

- ทำความสะอาดหัวจับดอกแบบเปลี่ยนเร็วก่อนใส่ และเคลือบจาระบีบางๆ ที่ปลายก้าน
- จับหัวจับดอกแบบเปลี่ยนเร็ว SDS-plus (2) หรือหัวจับดอกแบบเปลี่ยนเร็วหนีบเร็ว (1) เต็มๆ มือ ดันหัวจับดอกแบบเปลี่ยนเร็วหมุนใส่บนข้อรับหัวจับดอก (20) จนได้ยินเสียงขบเข้าล็อคอย่างชัดเจน
- หัวจับดอกแบบเปลี่ยนเร็วจะล็อคโดยอัตโนมัติ ดึงหัวจับดอกแบบเปลี่ยนเร็วเพื่อตรวจสอบการล็อค

การเปลี่ยนเครื่องมือ

ฝาครอบกันฝุ่น (4) ส่วนใหญ่จะป้องกันไม่ให้อุ่นที่เกิดจากการเจาะลอดเข้าไปในด้ามจับเครื่องมือในระหว่างการใช้งาน เมื่อใส่เครื่องมือต้องระวังอย่าให้ฝาครอบกันฝุ่น (4) เสียหาย

▶ **ต้องเปลี่ยนฝาครอบกันฝุ่นที่ชำรุดโดยทันที**
เราขอแนะนำว่า ควรส่งให้ศูนย์บริการหลังการขายเปลี่ยนให้

การเปลี่ยนเครื่องมือ (SDS-plus)

การใส่เครื่องมือ SDS-plus (ดูภาพประกอบ E)

หัวจับดอก SDS-plus ทำให้เปลี่ยนเครื่องมือเจาะได้ง่ายและสะดวกโดยไม่ต้องใช้เครื่องมืออื่นๆ ช่วย

- ใส่หัวจับดอกแบบเปลี่ยนเร็ว SDS-plus (2)
- ทำความสะอาดและทาจาระบีบางๆ ที่ปลายก้านเครื่องมือ
- จับเครื่องมือหมุนใส่ในด้ามจับเครื่องมือจนเข้าล็อคโดยอัตโนมัติ
- ดึงเครื่องมือเพื่อตรวจสอบการล็อค

ตามเงื่อนไขของระบบ เครื่องมือ SDS-plus สามารถเคลื่อนไหวได้อย่างอิสระ ดังนั้นเมื่อเดินตัวเปล่า เครื่องมือจะวิ่งลื่นจากแนวรัศมี ซึ่งจะไม่มีผลต่อความเที่ยงตรงของการเจาะ ดอกสว่านจะตั้งตัวให้อยู่ตรงกลางเองระหว่างการเจาะ

การถอดเครื่องมือ SDS-plus (ดูภาพประกอบ F)

- ดันปลอกสำหรับล็อก (5) ไปด้านหลังและถอดเครื่องมือออก

การเปลี่ยนเครื่องมือ (ไม่มี SDS-plus)

การใส่เครื่องมือ (ดูภาพประกอบ G)

หมายเหตุ: อย่าใช้เครื่องมือที่ไม่มี SDS-plus สำหรับเจาะดอกหรือสกัด! เครื่องมือที่ไม่มี SDS-plus และหัวจับดอกของเครื่องมืออาจชำรุดจากการเจาะดอกหรือสกัด

- ใส่หัวจับดอกแบบเปลี่ยนเร็วหนีบเร็ว (1) พร้อมระบบหยุดกระแทกเบ็ดเสร็จ

หมายเหตุ: ใช้หัวจับดอกแบบเปลี่ยนเร็วหนีบเร็วพร้อมระบบหยุดกระแทกเบ็ดเสร็จเฉพาะสำหรับ **GBH 18V-34 CF** เท่านั้น หัวจับดอกนี้นั้นจะช่วยให้มั่นใจได้ว่ากลไกกระแทกแบบลมอัดจะไม่ทำให้เครื่องมือเสียหาย

– จับแหวนยึด (22) ของหัวจับดอกแบบเปลี่ยนเร็วหนีบเร็วให้แน่น เปิดตามจับเครื่องมือโดยหมุนปลอกหน้า (21) จนสามารถใส่เครื่องมือเข้าไปได้ จับแหวนยึด (22) ให้แน่น และหมุนปลอกหน้า (21) ไปในทิศทางลูกศรจนได้ยินเสียงขบเข้าล็อกอย่างชัดเจน

– ดึงเครื่องมือเพื่อตรวจสอบการเข้าในตำแหน่งอย่างแน่นหนา

หมายเหตุ: หากด้ามจับเครื่องมือถูกเปิดออกจนสุด อาจได้ยินเสียงขบเข้าล็อกขณะหมุนด้ามจับเครื่องมือให้ปิด และด้ามจับเครื่องมือไม่บิดลง

ในกรณีนี้ให้หมุนปลอกหน้า (21) ไปในทิศทางตรงข้ามกับทิศทางลูกศรหนึ่งครั้ง จากนั้นด้ามจับเครื่องมือจะสามารถปิดได้

– หมุนสวิตช์รวม (7) ไปที่ตำแหน่ง "การเจาะ"

การถอดเครื่องมือ (ดูภาพประกอบ H)

– จับแหวนยึด (22) ของหัวจับดอกแบบเปลี่ยนเร็วหนีบเร็วให้แน่น เปิดตามจับเครื่องมือโดยหมุนปลอกหน้า (21) ไปตามทิศทางลูกศรจนสามารถถอดเครื่องมือออกมาได้

การดูแลผู้/ชีเลือก

ผู้คนที่ได้จ้าวัด เช่น เคลือบผิวที่มีสารตะกั่ว ไม้ยางประเภทแร้อาตุ และโลหะ อาจเป็นอันตรายต่อสุขภาพ การสัมผัสหรือการหายใจเอาฝุ่นเข้าไปอาจทำให้เกิดปฏิกิริยาแพ้ฝุ่น และ/หรือนำมาซึ่งโรคติดเชื้อระบบหายใจแก่ผู้ใช้เครื่องมือหรือผู้ที่ยืนอยู่ใกล้เคียง

ผู้บางประเภท เช่น ฝุ่นไม้โอ๊ก หรือไม้บีช นับเป็นสารที่ทำให้เกิดมะเร็ง โดยเฉพาะอย่างยิ่งเมื่อผสมกับสารเติมแต่งเพื่อยับยั้ง (โครเมต ผลิตภัณฑ์รักษาเนื้อไม้) สำหรับวัสดุที่มีแอลเบสทอสต้องให้ผู้เชี่ยวชาญทำงานเท่านั้น

– ใช้ระบบดูดฝุ่นออกที่เหมาะสมกับประเภทวัสดุ มากเท่าที่จะทำได้

– จัดสถานที่ทำงานให้มีการระบายอากาศที่ดี

– ขอแนะนำให้สวมหน้ากากป้องกันกาติดต่อที่มีระดับ-ใส่กรอง P2

ปฏิบัติตามกฎข้อบังคับสำคัญอื่นๆ ที่เกี่ยวกับวัสดุชิ้นงานที่บังคับใช้ในประเทศของท่าน

▶ ป้องกันการสะสมของฝุ่นในสถานที่ทำงาน

ผู้สามารถลุกโหมอย่างง่ายตาย

การปฏิบัติงาน

การเริ่มต้นปฏิบัติงาน

▶ ตรวจสอบให้แน่ใจว่าฝาครอบ (13) ของ *Bluetooth*[®] Low Energy Module GCY 42 ถูกปิดระหว่างการใช้งาน ทั้งนี้เพื่อป้องกันไม่ให้ฝุ่นเข้า

การใส่แบตเตอรี่

▶ ใช้เฉพาะแบตเตอรี่แพ็คลิเทียมไอออนของแท้ของ **Bosch** ที่มีแรงดันไฟฟ้าที่ระบุไว้บนแผ่นป้ายติดของเครื่องมือไฟฟ้าของท่าน การใช้แบตเตอรี่แพ็คประเภทอื่นเสี่ยงต่อการเกิดไฟไหม้หรือบาดเจ็บ

– กดปุ่มล็อก (9) เพื่อป้องกันไม่ให้เครื่องมือไฟฟ้าติดขึ้นโดยไม่ตั้งใจ

– เลื่อนแบตเตอรี่ที่ชาร์จแล้ว (12) เข้าในจุดชาร์จของตัวเรือนจนแบตเตอรี่ล็อกเข้าอย่างแน่นหนา

การตั้งโหมดทำงาน (ดูภาพประกอบ I)

ท่านสามารถเลือกโหมดทำงานของเครื่องมือไฟฟ้าด้วยสวิตช์รวม (7)

หมายเหตุ: เปลี่ยนโหมดทำงานเฉพาะเมื่อเครื่องมือไฟฟ้าปิดสวิตช์อยู่เท่านั้น! มิฉะนั้นเครื่องมือไฟฟ้าอาจชำรุดได้

หมายเหตุ: หากท่านสัมผัสสวิตช์ไปที่โหมดทำงานอื่นในขณะที่สวิตช์เปิด-ปิดล็อกอยู่ เครื่องมือไฟฟ้าจะปิดสวิตช์

– เมื่อต้องการเปลี่ยนโหมดทำงาน ให้หมุนสวิตช์รวม (7) ไปยังตำแหน่งที่ต้องการจนได้ยินเสียงเข้าล็อก

Ti **↑Ti** ตำแหน่งสำหรับการเจาะตอกในคอนกรีตหรือ



หิน

GBH 18V-34 CF ที่มีหัวจับดอกแบบเปลี่ยนเร็วหนีบเร็ว (1): ตำแหน่งสำหรับการเจาะโดยไม่กระแทกในไม้ โลหะ เซรามิก และพลาสติก (การหมุนทางขวา)

Ti **↑Ti** ตำแหน่งสำหรับการหมุนทางซ้ายเพื่อคลาย



เครื่องมือออกจากชิ้นงาน

Ti **↑Ti** ตำแหน่ง **Vario-Lock** สำหรับปรับตำแหน่ง



สกัด

Ti **↑Ti** ตำแหน่งสำหรับการสกัด



การเปิด-ปิดเครื่อง

- ปลดปุ่มลอค (9) สำหรับสวิตช์เปิด-ปิด หากจำเป็น
- เมื่อต้องการเปิดสวิตช์เครื่องมือไฟฟ้าให้กดสวิตช์เปิด-ปิด (11)

ไฟจะสว่างสว่างขึ้นเมื่อกดสวิตช์เปิด-ปิด (11) เบาๆ หรือเต็มที่ และให้ความสว่างบริเวณทำงานภายใต้สภาพแสงที่ไม่เอื้ออำนวย

- เมื่อต้องการปิดสวิตช์เครื่องมือไฟฟ้าให้ปล่อยนิ้วจากสวิตช์เปิด-ปิด (11)

การตั้งอัตราความเร็ว/อัตรากระแทก

ท่านสามารถปรับอัตราความเร็ว/อัตรากระแทกของเครื่องมือไฟฟ้าที่เปิดสวิตช์ทำงานได้อย่างต่อเนื่อง ทั้งนี้ขึ้นอยู่กับแรงที่กดลงบนสวิตช์เปิด-ปิด (11)

กดสวิตช์เปิด-ปิด (11) เบาๆ จะได้อัตราความเร็ว/อัตรากระแทกต่ำ กดสวิตช์แรงยิ่งขึ้นจะได้อัตราความเร็ว/อัตรากระแทกเพิ่มขึ้น

ท่านสามารถควบคุมอัตราความเร็วได้ที่ user interface หรือผ่าน App บนสมาร์ตโฟน (ดู "การเลือกโหมดงาน", หน้า 83)

การเปลี่ยนตำแหน่งสกัด (Vario-Lock)

ท่านสามารถล๊อคคอกสกัดได้ 16 ตำแหน่ง ในลักษณะนี้ท่านสามารถตั้งท่าทำงานที่เหมาะสมที่สุดสำหรับแต่ละรูปแบบการทำงาน

- ใส่คอกสกัดเข้าในค้ำจับเครื่องมือ
- หมุนสวิตช์รวม (7) ไปที่ตำแหน่ง "Vario-Lock"
- หมุนเครื่องมือไปยังตำแหน่งการสกัดที่ต้องการ
- หมุนสวิตช์รวม (7) ไปที่ตำแหน่ง "การสกัด" ด้วยวิธีนี้ค้ำจับเครื่องมือจะถูกล๊อคไว้

การสกัดด้วยฟังก์ชันล๊อค

เมื่อต้องการล๊อคเป็นเวลาโดยไม่ต้องกดสวิตช์เปิด-ปิด (11) อย่างต่อเนื่องให้ล๊อคสวิตช์เปิด-ปิดในโหมดทำงาน "การสกัด"

- เมื่อต้องการล๊อคให้กดสวิตช์เปิด-ปิด (11) ไปจนสุดและในขณะที่เดียวกันให้กดปุ่มล๊อค (9)
- เมื่อต้องการปิดสวิตช์ให้กดปุ่มล๊อค (9) อีกครั้ง

หมายเหตุ: หากท่านกลับสวิตช์ไปที่โหมดทำงานอื่นในขณะที่สวิตช์เปิด-ปิดล๊อคอยู่ เครื่องมือไฟฟ้าจะปิดสวิตช์

คลัตช์ตัดการทำงานเกินกำลัง

- ▶ หากเครื่องมือที่ใส่อยู่เกิดขัดหรือติดแน่น แรงขับไปยิ่งเพลาสว่างจะสะดุดหยุด เนื่องจากแรงบิดที่เกิดขึ้นต้องถือเครื่องมือไฟฟ้าให้แน่นด้วยมือทั้งสองข้างและหาที่ยืนที่มั่นคงเสมอ
- ▶ หากเครื่องมือไฟฟ้าติดขัด ให้ปิดสวิตช์เครื่องและปลดเครื่องมือที่ใส่อยู่ออก หากเปิดสวิตช์โดยที่เครื่องมือเจาะติดชดอยู่ อาจเกิดแรงปฏิกิริยาบิดสูง

การบิดระบอบอย่างรวดเร็ว (Kickback Control)



การบิดระบอบอย่างรวดเร็ว (Kickback Control) ช่วยให้สามารถควบคุมเครื่องมือไฟฟ้าได้ดียิ่งขึ้นและปกป้องผู้ใช้มากยิ่งขึ้นเมื่อเทียบกับเครื่องมือไฟฟ้าที่ไม่มี Kickback Control เมื่อเครื่องมือไฟฟ้าหมุนรอบแกนส่วนอย่างฉับพลันและไม่คาดคิด เครื่องมือไฟฟ้าจะปิดสวิตช์ ไฟแสดงการปิดเครื่องอย่างรวดเร็ว (24) สว่างขึ้นและไฟแสดงการทำงาน (14) กะพริบ เมื่อการบิดระบอบอย่างรวดเร็วเปิดใช้งาน ไฟแสดงสถานะ (27) จะกะพริบสีแดง

- เมื่อต้องการเริ่มต้นทำงานอีกครั้ง ให้ปล่อยนิ้วจากสวิตช์เปิด-ปิด (11) และกดสวิตช์อีกครั้ง

Electronic Precision Control (EPC)

EPC ช่วยคุณในการทำงานด้วยแรงกระแทกโดยค่อยๆ เพิ่มความเร็วในการทำงานเพื่อการดำเนินงานที่แม่นยำ

ระบบควบคุมความเร็วด้วยไฟฟ้า (Adaptive Speed Control) ในโหมดทำงาน "การสกัด"



เครื่องมือไฟฟ้าจะสตาร์ทด้วยความเร็วต่ำ จากนั้นจะเพิ่มความเร็วขึ้นอย่างรวดเร็ว จนถึงความเร็วสูงสุด ซึ่งจะช่วยให้ควบคุมได้ดียิ่งขึ้นและเริ่มทำงานได้อย่างแม่นยำ ระบบควบคุมความเร็วด้วยไฟฟ้าจะถูกเรียกใช้งานโดยอัตโนมัติเมื่อเครื่องมือไฟฟ้าเริ่มทำงาน

User interface (ดูภาพประกอบ J)

User interface (19) ใช้สำหรับเลือกโหมดงานและสำหรับแสดงสถานะของเครื่องมือไฟฟ้า

ไฟแสดงสถานะ

ไฟแสดงสถานะการชาร์จแบตเตอรี่ (user interface) (23)	ความหมาย/สาเหตุ	วิธีแก้ปัญหา
สีเขียว (2 ถึง 5 แถบ)	ชาร์จแบตเตอรี่แล้ว	–
สีเหลือง (1 แถบ)	แบตเตอรี่ใกล้หมด	เปลี่ยนหรือชาร์จแบตเตอรี่ใหม่ซ้ำ
สีแดง (1 แถบ)	แบตเตอรี่หมดประจุ	เปลี่ยนหรือชาร์จแบตเตอรี่

ไฟแสดงอุณหภูมิ (29)	ความหมาย/สาเหตุ	วิธีแก้ปัญหา
สีเหลือง	หากอุณหภูมิในการทำงานของแบตเตอรี่หรือเครื่องมือไฟฟ้าเพิ่มขึ้นอย่างมาก ประสิทธิภาพจะลดลง	ให้เครื่องมือไฟฟ้าวิ่งตัวเปล่าและปล่อยให้เย็นลงหรือเปลี่ยนแบตเตอรี่ที่ร้อนเกิน
สีแดง	หากอุณหภูมิในการทำงานของแบตเตอรี่หรือเครื่องมือไฟฟ้าสูงเกิน เครื่องมือไฟฟ้าจะปิดเพื่อป้องกัน	ปล่อยให้เครื่องมือไฟฟ้าเย็นลงหรือเปลี่ยนแบตเตอรี่ที่ร้อนเกิน

ไฟแสดงสถานะเครื่องมือไฟฟ้า (27)	ความหมาย/สาเหตุ	วิธีแก้ปัญหา
สีเขียว	สถานะ OK	–
สีเหลือง	อุณหภูมิถึงขั้นวิกฤติหรือแบตเตอรี่ใกล้หมด	ให้เครื่องมือไฟฟ้าวิ่งตัวเปล่าและปล่อยให้เย็นลง หรือเปลี่ยนหรือชาร์จแบตเตอรี่ใหม่ซ้ำ
สีแดง	เครื่องมือไฟฟ้าร้อนเกินไปหรือแบตเตอรี่หมดประจุ	ปล่อยให้เครื่องมือไฟฟ้าเย็นลง หรือเปลี่ยนหรือชาร์จแบตเตอรี่
สีแดง	ปุ่มล็อคถูกกดในโหมดทำงาน "การเจาะตอก"	กดปุ่มล็อคอีกครั้ง
	กดสวิตช์ผสมในระหว่างการทำงาน	ปิดสวิตช์เครื่องมือไฟฟ้าและเปิดสวิตช์อีกครั้ง
	มอเตอร์หยุดชะงัก แบตเตอรี่ร้อนเกินไป	ชาร์จแบตเตอรี่หรือใช้แบตเตอรี่ชนิดที่แนะนำ
	ความผิดพลาดทั่วไป	– ปิดสวิตช์เครื่องมือไฟฟ้าและเปิดสวิตช์อีกครั้ง หรือถอดแบตเตอรี่แล้วใส่เข้าอีกครั้ง หากยังคงเกิดความผิดพลาดอยู่: – ส่งเครื่องมือไฟฟ้าไปยังฝ่ายบริการลูกค้า
กะพริบสีแดง – ใช้ร่วมกับจอแสดงผลปิดอย่างรวดเร็ว (24)	การปิดระบบอย่างรวดเร็วถูกเรียกใช้งาน	ปิดสวิตช์เครื่องมือไฟฟ้าและเปิดสวิตช์อีกครั้ง
กะพริบสีฟ้า	เครื่องมือไฟฟ้าเชื่อมต่อกับอุปกรณ์เคลื่อนที่ปลายทางหรือกำลังถ่ายโอนการตั้งค่า	–

ไฟแสดงสมาร์ตโฟน (28)	ความหมาย/สาเหตุ	วิธีแก้ปัญหา
สีเขียว	มีข้อมูลเพิ่มเติม (ต. ย. เช่น ข้อมูลเชิงพาณิชย์)	อ่านข้อความบนสมาร์ตโฟนหากสนใจ
สีเหลือง	มีข้อมูลสำคัญ (ต. ย. เช่น การแจ้งเตือน อุณหภูมิ)	อ่านข้อความบนสมาร์ตโฟน

ไฟแสดงสมาร์ตโฟน (28)	ความหมาย/สาเหตุ	วิธีแก้ปัญหา
สีแดง	มีข้อมูลสำคัญเกี่ยวกับการทำงาน (เช่น มอเตอร์หยุดเนื่องจาก MCU ผิดพลาดในหน่วยไมโครคอนโทรลเลอร์)	อ่านข้อความบนสมาร์ตโฟนทันที

การเลือกโหมดงาน

- กดปุ่ม (26) ซ้ำๆ เพื่อเลือกโหมดงานจนโหมดงานที่ต้องการส่องสว่างขึ้น

หมายเหตุ: ในโหมดงาน **Favorite** ฟังก์ชันจะถูกกำหนดค่าผ่าน App บนสมาร์ตโฟน ในโหมดงาน **Auto** และ **Soft** ฟังก์ชันจะถูกตั้งไว้ล่วงหน้า

ไฟแสดงโหมดงาน (25)	ฟังก์ชัน
Auto ส่องสว่าง	<p>ในโหมดงาน Auto เครื่องมือไฟฟ้าถึงกำลังสูงสุด</p> <ul style="list-style-type: none"> – โหมดทำงาน "การเจาะตอก": การเพิ่มขึ้นอย่างรวดเร็วของอัตราความเร็วสำหรับการเจาะที่ควบคุมได้ถึง 100 % ของความเร็วสูงสุด – โหมดทำงาน "การสกัด": ระบบควบคุมความเร็วด้วยไฟฟ้า (Adaptive Speed Control) – การปิดระบบอย่างรวดเร็ว (Kickback Control)
Soft ส่องสว่าง	<p>โหมดงาน Soft ใช้สำหรับวัสดุที่มีความไวตัวสูง</p> <ul style="list-style-type: none"> – โหมดทำงาน "การเจาะตอก": EPC ทำงานอยู่ การเพิ่มขึ้นอย่างช้าๆ ของอัตราความเร็วสำหรับการเจาะแบบนุ่มถึง 80 % ของความเร็วสูงสุดสำหรับการเจาะตอกในพื้นที่ที่มีความไวตัวสูง – โหมดทำงาน "การสกัด": ระบบควบคุมความเร็วด้วยไฟฟ้า (Adaptive Speed Control) ปรับค่าไวยิ่งขึ้น – การปิดระบบอย่างรวดเร็ว (Kickback Control) ปรับค่าไวยิ่งขึ้น
Favorite ส่องสว่าง	<p>ในโหมดงาน Favorite เครื่องมือไฟฟ้าสามารถกำหนดค่าแต่ละรายการผ่าน App บนสมาร์ตโฟน</p> <ul style="list-style-type: none"> – สามารถกำหนดโหมดทำงาน "การเจาะตอก" ได้หลายระดับ: กำลังไฟ: ความเร็วเริ่มต้น Electronic Precision Control (EPC) ความเร็วเริ่มต้น – โหมดทำงาน "การสกัด": ระบบควบคุมความเร็วด้วยไฟฟ้า (Adaptive Speed Control) เปิดและปิดได้ – ความไวการปิดระบบอย่างรวดเร็ว (Kickback Control) สามารถกำหนดค่าจนถึงการปิดได้

ฟังก์ชันการเชื่อมต่อ

เมื่อใช้ร่วมกับ *Bluetooth® Low Energy Module GCY 42* จะมีฟังก์ชันการเชื่อมต่อต่อไปนี้สำหรับเครื่องมือไฟฟ้า:

- การลงทะเบียนและตั้งค่าส่วนบุคคล
- การตรวจสอบสถานะและการส่งออกข้อความแจ้งเตือน
- ข้อมูลทั่วไปและการตั้งค่า
- การจัดการ

สำหรับข้อมูลเพิ่มเติมเกี่ยวกับโมดูล *Bluetooth GCY 42® Low Energy Module* กรุณาอ่านหนังสือคู่มือการใช้งานที่เกี่ยวข้อง

ไฟแสดงสมาร์ตโฟน (28) จะส่องสว่างขึ้นเมื่อเครื่องมือไฟฟ้าส่งข้อมูล (ต. ย. เช่น การแจ้งเตือนอุณหภูมิ) ไปยังอุปกรณ์เคลื่อนที่ปลายทางผ่านเทคโนโลยีไร้สาย *Bluetooth®*

ข้อแนะนำในการทำงาน

- ▶ เครื่องมือไฟฟ้าที่มี *Bluetooth® Low Energy Module GCY 42* ใ้ที่อยู่จะมีส่วนต่อประสานทางคลื่นวิทยุ ต้องปฏิบัติตามข้อจำกัดในการใช้งานในท้องถิ่น ต. ย. เช่น ในเครื่องบิน หรือโรงพยาบาล
- ▶ ในบริเวณที่ไม่อนุญาตให้ใช้เทคโนโลยีไร้สาย *Bluetooth®* ต้องถอด *Bluetooth® Low Energy Module GCY 42* และถ่านกระดุมออก

หมายเหตุ: สามารถปิดฝาครอบ (13) ได้แน่น เมื่อโมดูล Bluetooth® Low Energy Module GCY 42 และเซลล์ปั๊มอยู่ในเครื่องมือไฟฟ้าเท่านั้น

- ในการ **ปิดใช้งาน** โมดูล Bluetooth® Low Energy Module GCY 42 ให้หมุนเซลล์ปั๊มหรือใส่ฉนวนระหว่างเซลล์ปั๊มและโมดูล Bluetooth® Low Energy Module GCY 42
- ปิดฝาครอบ (13) เพื่อป้องกันสิ่งสกปรก

ตัวแทนการสั่นสะเทือน



ตัวแทนการสั่นสะเทือนเม็ดเสิร์จช่วยลดการสั่นสะเทือนที่เกิดขึ้น

► หากองค์กรประกอบตัวแทนการสั่นสะเทือนชำรุดอย่าใช้เครื่องมือไฟฟ้าทำงานต่อไป

ข้อแนะนำในการปฏิบัติต่อแบตเตอรี่อย่างเหมาะสมที่สุด
ปกป้องแบตเตอรี่จากความชื้นและน้ำ

เก็บรักษาแบตเตอรี่แพ็คในอุณหภูมิ -20 °C ถึง 50 °C เท่านั้น อย่าปล่อยให้วางแบตเตอรี่แพ็คไว้ในรถยนต์ในช่วงฤดูร้อน

ทำความสะอาดช่องระบายอากาศเป็นครั้งคราวโดยใช้แปรงขนอ่อนที่แห้งและสะอาด

หลังจากชาร์จแบตเตอรี่แล้ว หากแบตเตอรี่แพ็คมีช่วงเวลาทำงานสั้นมาก แสดงว่าแบตเตอรี่แพ็คเสื่อมและต้องเปลี่ยนใหม่

อ่านและปฏิบัติตามข้อสังเกตสำหรับการกำจัดขยะ

การบำรุงรักษาและการบริการ

การบำรุงรักษาและการทำความสะอาด

- ถอดแบตเตอรี่ออกจากเครื่องมือไฟฟ้าก่อนทำการปรับแต่งใดๆ ที่เครื่องมือไฟฟ้า (ต. ย. เช่น บำรุงรักษา เปลี่ยนเครื่องมือ ฯลฯ) รวมทั้งเมื่อขนย้ายและเก็บรักษาอันตรายจากการบาดเจ็บหากสวิตช์เปิด-ปิดติดขึ้นอย่างไม่ตั้งใจ
- เพื่อให้ทำงานได้อย่างถูกต้องและปลอดภัย ต้องรักษาเครื่องและช่องระบายอากาศให้สะอาดอยู่เสมอ
- ต้องเปลี่ยนฝาครอบกันฝุ่นที่ชำรุดโดยทันที เราขอแนะนำว่าควรส่งให้ศูนย์บริการหลังการขายเปลี่ยนให้
 - ทำความสะอาดตามจับเครื่องมือ (3) ทุกครั้งหลังใช้งาน
 - ทำความสะอาดตามจับเครื่องมือ ทุกครั้งหลังใช้งาน

การบริการหลังการขายและการให้คำปรึกษาการใช้งาน

ศูนย์บริการหลังการขายของเรายินดีตอบคำถามของท่านที่เกี่ยวกับการบำรุงรักษาและการซ่อมแซมผลิตภัณฑ์รวมทั้งเรื่องอะไหล่ ภาพเขียนแบบการประกอบและข้อมูลเกี่ยวกับอะไหล่ กรุณาดูใน: **www.bosch-pt.com** ทีมงานที่ปรึกษาของ บอช ยินดีให้ข้อมูลเกี่ยวกับผลิตภัณฑ์ของเราและอุปกรณ์ประกอบต่างๆ

เมื่อต้องการสอบถามและสั่งซื้ออะไหล่ กรุณาแจ้งหมายเลขสินค้า 10 หลักบนแผ่นป้ายรุ่นของผลิตภัณฑ์ทุกครั้ง

ไทย

ไทย บริษัท โรเบิร์ต บอช จำกัด

เอพวยไอ เซ็นเตอร์ อาคาร 1 ชั้น 5

เลขที่ 2525 ถนนพระราม 4

แขวงคลองเตย เขตคลองเตย กรุงเทพฯ 10110

โทร: +66 2012 8888

แฟกซ์: +66 2064 5800

www.bosch.co.th

ศูนย์บริการซ่อมและฝึกอบรม บอช

อาคาร ลานชาลาทาวเวอร์ ชั้น G ห้องเลขที่ 2

บ้านเลขที่ 10/11 หมู่ 16

ถนนศรีนครินทร์ ตำบลบางแก้ว อำเภอบางพลี

จังหวัดสมุทรปราการ 10540

ประเทศไทย

โทรศัพท์ 02 7587555

โทรสาร 02 7587525

การขนส่ง

แบตเตอรี่ลิเธียม ไอออน ที่บรรจุอยู่ภายใน

ได้ข้อกำหนดแห่งกฎหมายสินค้าอันตราย ผู้

ใช้สามารถขนส่งแบตเตอรี่แพ็คโดย

ทางถนนโดยไม่มีข้อบังคับอื่นหากขนส่งโดยบุคคลที่สาม

(เช่น : การขนส่งทางอากาศ หรือตัวแทนขนส่งสินค้า)

ต้องปฏิบัติตามข้อกำหนดพิเศษเกี่ยวกับการบรรจุ

ภัณฑ์และการติดฉลาก สำหรับการจัดเตรียมสิ่งของที่จะจัดส่ง

จำเป็นต้องปรึกษาผู้เชี่ยวชาญด้านวัตถุอันตราย

ส่งแบตเตอรี่แพ็คเมื่อตัวหุ้มไม่ชำรุดเสียหายเท่านั้น ใช้แถบ

กาวพันปิดหน้าสัมผัสที่เปิดอยู่ และนำแบตเตอรี่แพ็ค

ใส่กล่องบรรจุโดยไม่ให้เคลื่อนไปมาในกล่องได้ นอกจากนี้

นี้กรุณาปฏิบัติตามกฎระเบียบของประเทศซึ่งอาจมีรายละเอียดเพิ่มเติม

การกำจัตขยะ



เครื่องมือไฟฟ้า แบตเตอรี่แพค อุปกรณ์ประกอบ และที่บห่อ ต้องนำ

ไปแยกประเภทวัสดุเพื่อนำกลับมาใช้ใหม่โดยไม่ทำลายสภาพแวดล้อม



อย่าทิ้งเครื่องมือไฟฟ้าและแบตเตอรี่แพค/แบตเตอรี่ที่นำกลับมาชาร์จใหม่ได้ ลงในขยะบ้าน!

แบตเตอรี่แพค/แบตเตอรี่:

ลิเธียม ไอออน:

กรุณาทปฏิบัติตามคำแนะนำในบทการขนส่ง (ดู "การขนส่ง", หน้า 84)

Bahasa Indonesia

Petunjuk Keselamatan

Petunjuk Keselamatan Umum Perkakas Listrik

⚠ PERINGATAN Bacalah semua petunjuk keselamatan dan semua petunjuk penggunaan. Kesalahan dalam menjalankan petunjuk keselamatan dan petunjuk penggunaan dapat mengakibatkan sengatan listrik, kebakaran, dan/atau cedera serius.

Simpanlah semua petunjuk keselamatan dan petunjuk penggunaan untuk acuan di masa mendatang.

Istilah "perkakas listrik" dalam petunjuk keselamatan mengacu pada perkakas listrik yang dioperasikan dengan listrik (menggunakan kabel) atau perkakas listrik yang dioperasikan dengan baterai (tanpa kabel).

Keamanan tempat kerja

- ▶ **Jaga kebersihan dan pencahayaan area kerja.** Area yang berantakan atau gelap dapat memicu kecelakaan.
- ▶ **Jangan mengoperasikan perkakas listrik di lingkungan yang dapat memicu ledakan, seperti adanya cairan, gas, atau debu yang mudah terbakar.** Perkakas listrik dapat memancarkan bunga api yang kemudian mengakibatkan debu atau uap terbakar.
- ▶ **Jauhkan dari jangkauan anak-anak dan pengamat saat mengoperasikan perkakas listrik.** Gangguan dapat menyebabkan hilangnya kendali.

Keamanan listrik

- ▶ **Steker perkakas listrik harus sesuai dengan stopkontak. Jangan pernah memodifikasi steker. Jangan menggunakan steker adaptor bersama dengan perkakas listrik yang terhubung dengan sistem grounding.** Steker yang tidak dimodifikasi dan

stopkontak yang cocok akan mengurangi risiko sengatan listrik.

- ▶ **Hindari kontak badan dengan permukaan yang terhubung dengan sistem grounding, seperti pipa, radiator, kompor, dan lemari es.** Terdapat peningkatan risiko terjadinya sengatan listrik jika badan Anda terhubung dengan sistem grounding.
- ▶ **Perkakas listrik tidak boleh terpapar hujan atau basah.** Air yang masuk ke dalam perkakas listrik menambah risiko terjadinya sengatan listrik.
- ▶ **Jangan menyalahgunakan kabel. Jangan gunakan kabel untuk membawa, menarik, atau melepas steker perkakas listrik. Jauhkan kabel dari panas, minyak, tepi yang tajam, atau komponen yang bergerak.** Kabel listrik yang rusak atau tersangkut menambah risiko terjadinya sengatan listrik.
- ▶ **Saat mengoperasikan perkakas listrik di luar ruangan, gunakan kabel ekstensi yang sesuai untuk penggunaan di luar ruangan.** Penggunaan kabel yang cocok untuk pemakaian di luar ruangan mengurangi risiko terjadinya sengatan listrik.
- ▶ **Jika perkakas listrik memang harus dioperasikan di tempat yang lembap, gunakan pemutus arus listrik residu (RCD).** Penggunaan RCD akan mengurangi risiko terjadinya sengatan listrik.

Keselamatan personel

- ▶ **Tetap waspada, perhatikan aktivitas yang sedang dikerjakan, dan gunakan akal sehat saat mengoperasikan perkakas listrik. Jangan gunakan perkakas listrik saat mengalami kelelahan atau di bawah pengaruh narkoba, alkohol, atau obat-obatan.** Jika perkakas listrik dioperasikan dengan daya konsentrasi yang rendah, hal tersebut dapat menyebabkan cedera serius.
- ▶ **Gunakan peralatan pelindung diri. Selalu kenakan pelindung mata.** Dengan memakai pakaian dan sarana pelindung, misalnya masker anti debu, sepatu tertutup yang tidak licin, helm pelindung, atau pemalut telinga sesuai dengan pekerjaan yang dilakukan, hal tersebut dapat mengurangi risiko cedera.
- ▶ **Hindari start yang tidak disengaja. Pastikan switch berada di posisi off sebelum perkakas listrik dihubungkan ke sumber daya listrik dan/atau baterai, diangkat, atau dibawa.** Membawa perkakas listrik dengan jari menempel pada tombol atau perkakas listrik dalam keadaan hidup dapat memicu kecelakaan.
- ▶ **Singkirkan kunci penyetel atau kunci pas sebelum menghidupkan perkakas listrik.** Perkakas atau kunci pas yang masih menempel pada komponen perkakas listrik yang berputar dapat menyebabkan cedera.
- ▶ **Jangan melampaui batas. Berdirilah secara mantap dan selalu jaga keseimbangan.** Hal ini akan memberikan kontrol yang lebih baik terhadap perkakas listrik pada situasi yang tak terduga.
- ▶ **Kenakan pakaian dengan wajar. Jangan mengenakan perhiasan atau pakaian yang longgar. Jauhkan**

rambut, pakaian, dan sarung tangan dari bagian-bagian perkakas yang bergerak. Pakaian yang longgar, rambut panjang atau perhiasan dapat tersangkut dalam bagian perkakas yang bergerak.

- ▶ **Jika disediakan perangkat untuk sambungan pengisapan debu dan alat pengumpulan, pastikan perangkat tersebut terhubung dan digunakan dengan benar.** Penggunaan alat pengumpulan dapat mengurangi bahaya yang disebabkan oleh debu.

Penggunaan dan pemeliharaan perkakas listrik

- ▶ **Jangan memaksakan perkakas listrik. Gunakan perkakas listrik yang sesuai untuk pekerjaan yang dilakukan.** Perkakas listrik yang sesuai akan bekerja dengan lebih baik dan aman sesuai tujuan penggunaan.
- ▶ **Jangan gunakan perkakas listrik dengan switch yang tidak dapat dioperasikan.** Perkakas listrik yang switchnya tidak berfungsi dapat menimbulkan bahaya dan harus diperbaiki.
- ▶ **Tariklah steker dari stopkontak dan/atau keluarkan baterai sebelum melakukan penyetelan pada perkakas listrik, penggantian aksesoris atau sebelum menyimpan perkakas listrik.** Tindakan keselamatan kerja ini mengurangi risiko perkakas listrik beroperasi secara tiba-tiba.
- ▶ **Jauhkan dan simpan perkakas listrik dari jangkauan anak-anak dan jangan biarkan orang-orang yang tidak mengetahui cara menggunakan perkakas listrik, mengoperasikan perkakas listrik.** Perkakas listrik dapat membahayakan jika digunakan oleh orang-orang yang tidak terlatih.
- ▶ **Rawatlah perkakas listrik. Periksa komponen yang bergerak apabila tidak lurus atau terikat, kerusakan komponen, dan kondisi lain yang dapat mengganggu pengoperasian perkakas listrik. Apabila rusak, perbaiki perkakas listrik sebelum digunakan.** Banyak kecelakaan terjadi karena perkakas listrik tidak dirawat dengan seksama.
- ▶ **Jaga ketajaman dan kebersihan alat.** Alat pemotong dengan pisau pemotong yang tajam dan dirawat dengan baik tidak akan mudah tersangkut dan lebih mudah dikendalikan.
- ▶ **Gunakan perkakas listrik, aksesoris, dan komponen perkakas dll sesuai dengan petunjuk ini, dengan mempertimbangkan kondisi kerja dan pekerjaan yang akan dilakukan.** Penggunaan perkakas listrik untuk tujuan berbeda dari fungsinya dapat menyebabkan situasi yang berbahaya.

Penggunaan dan pemeliharaan perkakas baterai

- ▶ **Isi ulang daya hanya dengan pengisi daya yang ditentukan oleh produsen.** Pengisi daya yang sesuai untuk satu jenis set baterai dapat menyebabkan risiko kebakaran apabila digunakan dengan set baterai lain.
- ▶ **Hanya gunakan perkakas listrik dengan set baterai yang dirancang khusus.** Penggunaan set baterai lain dapat menyebabkan risiko cedera dan kebakaran.

- ▶ **Apabila set baterai tidak digunakan, jauhkan dari benda logam lainnya, seperti klip kertas, koin, kunci, paku, sekrup, atau benda logam kecil lainnya yang dapat membuat sambungan dari satu terminal ke terminal lainnya.** Memendekkan terminal baterai dapat menyebabkan kebakaran atau api.
- ▶ **Cairan dapat keluar dari baterai jika baterai tidak digunakan dengan benar; hindari kontak. Jika terjadi kontak secara tidak disengaja, bilas dengan air. Jika cairan mengenai mata, segera hubungi bantuan medis.** Cairan yang keluar dari baterai dapat menyebabkan iritasi atau luka bakar.

Servis

- ▶ **Minta teknisi berkualifikasi untuk menyervis perkakas listrik dengan hanya menggunakan suku cadang yang identik.** Dengan demikian, hal ini akan memastikan keamanan perkakas listrik.

Peringatan Keselamatan Hammer

- ▶ **Kenakan sumbat telinga.** Suara bising alat dapat menyebabkan berkurangnya pendengaran.
- ▶ **Gunakan handle tambahan, jika tersedia.** Kehilangan kendali dapat menyebabkan cedera.
- ▶ **Pegang perkakas listrik pada permukaan gagang isolator saat digunakan, karena aksesoris pemotong dapat saja bersentuhan dengan kabel yang tidak terlihat.** Aksesoris pemotong yang bersentuhan dengan kabel yang dialiri listrik dapat menyebabkan bagian logam perkakas listrik yang terbuka dialiri listrik sehingga berisiko mengakibatkan sengatan listrik pada operator.
- ▶ **Gunakanlah alat detektor logam yang cocok untuk mencari kabel dan pipa yang tidak terlihat atau hubungi perusahaan pengadaan setempat.** Sentuhan dengan kabel-kabel listrik dapat mengakibatkan api dan kontak listrik. Pipa gas yang dirusak dapat mengakibatkan ledakan. Pipa air yang dirusak mengakibatkan barang-barang menjadi rusak.
- ▶ **Sebelum meletakkan perkakas listrik, tunggulah hingga perkakas berhenti berputar.** Alat kerja dapat tersangkut dan menyebabkan perkakas listrik tidak dapat dikendalikan.
- ▶ **Gunakan alat kerja dengan aman.** Benda yang ditahan dalam alat pemegang atau bais lebih aman daripada benda yang dipegang dengan tangan.
- ▶ **Asap dapat keluar apabila terjadi kerusakan atau penggunaan yang tidak tepat pada baterai. Baterai dapat terbakar atau meledak.** Biarkan udara segar mengalir masuk dan kunjungi dokter apabila mengalami gangguan kesehatan. Asap tersebut dapat mengganggu saluran pernafasan.
- ▶ **Jangan membuka baterai.** Ada bahaya terjadinya korsleting.
- ▶ **Baterai dapat rusak akibat benda-benda lancip, seperti jarum, obeng, atau tekanan keras dari luar.** Hal ini dapat menyebabkan terjading hubungan singkat

internal dan baterai dapat terbakar, beresap, meledak, atau mengalami panas berlebih.

- ▶ **Hanya gunakan baterai pada produk yang dibuat oleh produsen.** Hanya dengan cara ini, baterai dapat terlindungi dari kelebihan muatan.



Lindungi baterai dari panas, misalnya juga dari paparan sinar matahari dalam waktu yang lama, api, kotoran, air dan kelembapan. Terdapat risiko ledakan dan korsleting.



- ▶ **Pegang erat perkakas listrik dengan kedua tangan selama mengoperasikannya dan pastikan Anda berdiri di posisi aman.** Gunakan perkakas listrik dengan kedua tangan secara hati-hati.
- ▶ **Waspada! Ketika menggunakan perkakas listrik dengan Bluetooth®, gangguan dapat muncul pada perangkat dan instalasi lain, pesawat terbang, dan perangkat medis (misalnya alat pacu jantung, alat bantu dengar. Selain itu, cedera pada manusia dan binatang di area sekitar tidak dapat seluruhnya dihindari. Jangan menggunakan alat pengukur dengan Bluetooth® di dekat perangkat medis, pusat pengisian bahan bakar, instalasi kimia, area dengan bahaya ledakan, dan percikan api. Jangan menggunakan perkakas listrik dengan Bluetooth® di dalam pesawat terbang. Hindari pengoperasian di dekat kepala secara langsung dalam waktu yang lama.**

Istilah merek *Bluetooth®* serta gambar simbol (logo) merupakan merek dagang terdaftar dan kepemilikan dari *Bluetooth SIG, Inc.* Setiap penggunaan istilah merek/ gambar simbol ini berada di bawah lisensi *Robert Bosch Power Tools GmbH.*

Spesifikasi produk dan performa



Bacalah semua petunjuk keselamatan dan petunjuk penggunaan. Kesalahan dalam menjalankan petunjuk keselamatan dan petunjuk penggunaan dapat mengakibatkan kontak listrik, kebakaran, dan/atau luka-luka

yang berat.

Perhatikan ilustrasi yang terdapat pada sisi sampul panduan pengoperasian.

Tujuan penggunaan

Perkakas listrik ini cocok untuk mengebor benda keras pada beton, tembok dan batu serta untuk pekerjaan memahat yang ringan dan sedang.

Perkakas listrik dengan penghenti getaran atau chuck bor untuk mata bor juga cocok untuk pengeboran tanpa getaran pada kayu, logam, keramik dan material sintetis.

Data dan pengaturan perkakas listrik dapat dikirim dengan modul *Bluetooth®* Low Energy GCY 42 menggunakan teknologi nirkabel *Bluetooth®* antara perkakas listrik dengan perangkat seluler.

Ilustrasi komponen

Nomor-nomor dari bagian-bagian perkakas pada gambar sesuai dengan gambar perkakas listrik pada halaman bergambar.

- (1) Chuck bor penggantian cepat dengan penghenti getaran yang terintegrasi
- (2) Chuck bor penggantian SDS plus
- (3) Dudukan alat kerja SDS plus
- (4) Kap pelindung debu
- (5) Selongsong pengunci
- (6) Ring pengunci chuck bor penggantian
- (7) Switch kombi untuk mode pengoperasian dan putaran arah ke kanan/kiri
- (8) Peredaman getaran
- (9) Tombol pengunci untuk tombol on/off
- (10) Gagang (permukaan genggam berisolator)
- (11) Tombol on/off
- (12) Baterai^{A)}
- (13) Penutup modul *Bluetooth®* Low Energy GCY 42
- (14) Lampu kerja
- (15) Tombol untuk pengaturan pembatas kedalaman
- (16) Gagang tambahan (permukaan genggam berisolator)
- (17) Pembatas kedalaman
- (18) Tombol pelepas baterai^{A)}
- (19) User Interface
- (20) Dudukan chuck bor
- (21) Selongsong depan chuck bor penggantian cepat
- (22) Ring penahan chuck bor penggantian cepat
- (23) Indikator level pengisian daya baterai (User Interface)
- (24) Display penonaktifan cepat (Kickback Control) (User Interface)
- (25) Display mode pengoperasian (User Interface)
- (26) Tombol untuk memilih mode pengoperasian (User Interface)
- (27) Display status perkakas listrik (User Interface)
- (28) Display smartphone (User Interface)
- (29) Display suhu (User Interface)

- A) **Aksesori yang ada pada gambar atau yang dijelaskan tidak termasuk dalam lingkup pengiriman standar. Semua aksesori yang ada dapat Anda lihat dalam program aksesori kami.**

Data teknis

Hammer bor berdaya baterai		GBH 18V-34 CF
Nomor seri		3 611 J140..
Tegangan nominal	V=	18
Input daya nominal	W	750
Tingkat getaran ^{A)}	min ⁻¹	0–2900
Daya tiap getaran sesuai dengan EPTA-Procedure 05:2016	J	5,8
Kecepatan nominal		
– Putaran ke kanan	min ⁻¹	0–500
– Putaran ke kiri	min ⁻¹	0–500
Dudukan alat kerja		SDS plus
Diameter leher spindel	mm	74
Diameter mata bor maks.:		
– Beton	mm	32
– Tembok (dengan mata bor pipa)	mm	40–82
– Baja	mm	13
– Kayu	mm	40
Berat sesuai dengan EPTA-Procedure 01:2014 ^{A)}	kg	5,2–6,3
Panjang	mm	430
Tinggi	mm	250
Suhu sekitar yang direkomendasikan saat pengisian daya	°C	0 ... +35
Suhu sekitar yang diizinkan saat pengoperasian ^{B)} dan saat disimpan	°C	–20 ... +50
Baterai yang kompatibel		GBA 18V... ProCORE18V...
Baterai yang direkomendasikan untuk performa penuh		ProCORE18V... ≥ 5,5 Ah
Perangkat pengisian daya yang direkomendasikan		GAL 18... GAX 18V... GAL 36...
Pengiriman data		
Bluetooth®		Bluetooth® 4.2 (Low Energy) ^{C)}
Jarak sinyal	s	8

Hammer bor berdaya baterai **GBH 18V-34 CF**

Jangkauan sinyal maksimal^{D)} m 30

- A) tergantung pada baterai yang digunakan
 B) daya terbatas pada suhu <0 °C
 C) Perangkat seluler harus kompatibel dengan perangkat Bluetooth® Low Energy (versi 4.2) dan mendukung Generic Access Profile (GAP).
 D) Jangkauan sinyal dapat berbeda-beda, bergantung pada kondisi di luar serta transmisi perangkat yang digunakan. Jangkauan Bluetooth® dapat melemah jika berada di dalam ruangan tertutup dan melewati penghalang yang mengandung logam (contoh: dinding, rak, koper, dll.).

Pemasangan

- **Tekan tombol pengunci untuk mengunci tombol on/off sebelum memulai segala pengerjaan pada perkakas listrik (misalnya perawatan, penggantian alat, dll) serta saat mengangkat dan menyimpan.** Terdapat risiko cedera apabila switch on/off ditekkan tanpa sengaja.

Memasang modul Bluetooth® Low Energy GCY 42

Untuk informasi mengenai modul Bluetooth® Low Energy GCY 42, baca panduan pengoperasian terkait.

Mengisi daya baterai

- **Hanya gunakan pengisi daya yang tercantum pada data teknis.** Hanya pengisi daya ini yang sesuai dengan baterai li-ion yang digunakan pada perkakas listrik Anda.

Catatan: Baterai dikirim dalam keadaan terisi sebagian. Untuk memastikan kinerja penuh baterai, isi penuh daya baterai ke pengisi daya sebelum menggunakannya untuk pertama kali.

Daya baterai li-ion dapat diisi setiap saat tanpa mengurangi masa pakainya. Penghentian proses pengisian daya tidak merusak baterai.

Baterai li-ion terlindung dari pengosongan daya total dengan "Electronic Cell Protection (ECP)". Jika baterai habis, perkakas listrik dimatikan oleh pengaman: Alat sisipan berhenti beroperasi.

- **Jangan menekan kembali tombol on/off jika perkakas listrik mati secara otomatis.** Baterai dapat rusak.

Perhatikan petunjuk untuk membuang.



Mengeluarkan baterai

Baterai (12) memiliki dua level penguncian untuk mencegah baterai terlepas saat tombol pelepas baterai (18) ditekan secara tidak sengaja. Selama baterai berada di dalam perkakas listrik, baterai ditahan dalam dudukannya dengan pegas.

- Untuk melepas baterai (12), tekan tombol pelepas (18) dan tarik baterai dari perkakas listrik. **Jangan melepas baterai dengan paksa.**

Indikator level pengisian daya baterai

LED berwarna hijau dari indikator level pengisian daya baterai menampilkan level pengisian daya baterai. Atas dasar keselamatan, permintaan level pengisian daya baterai hanya dapat dilakukan saat perkakas listrik dalam keadaan berhenti.

Tekan tombol indikator level pengisian daya baterai  atau  untuk menampilkan level pengisian baterai. Hal ini juga dapat dilakukan saat baterai dilepas.

Apabila LED tidak menyala setelah menekan tombol indikator level pengisian daya, terdapat kerusakan pada baterai dan baterai harus diganti.

Catatan: Level pengisian daya baterai juga ditampilkan pada User Interface **(19)** Display status.

Tipe baterai GBA 18V...



LED	Kapasitas
Lampu permanen 3 × hijau	60–100 %
Lampu permanen 2 × hijau	30–60 %
Lampu permanen 1 × hijau	5–30 %
Lampu berkedip 1 × hijau	0–5 %

Tipe baterai ProCORE18V...



LED	Kapasitas
Lampu permanen 5 × hijau	80–100 %
Lampu permanen 4 × hijau	60–80 %
Lampu permanen 3 × hijau	40–60 %
Lampu permanen 2 × hijau	20–40 %
Lampu permanen 1 × hijau	5–20 %
Lampu berkedip 1 × hijau	0–5 %

Gagang tambahan

- ▶ Hanya gunakan perkakas listrik dengan gagang tambahan **(16)**.

Memutar gagang tambahan (lihat gambar A)

Gagang tambahan **(16)** dapat digerakkan ke arah mana pun untuk memungkinkan posisi kerja yang aman dan tidak melelahkan.

- Putar bagian bawah gagang tambahan **(16)** berlawanan arah jarum jam dan gerakkan gagang tambahan **(16)** ke posisi yang diinginkan. Setelah itu, putar dan kencangkan kembali bagian bawah gagang tambahan **(16)** searah jarum jam.
Pastikan tali pengencang gagang tambahan berada dalam alur yang tersedia di housing.

Mengatur kedalaman pengeboran (lihat gambar B)

Dengan pembatas kedalaman **(17)**, kedalaman lubang **X** yang diinginkan dapat ditetapkan.

- Tekan tombol untuk mengatur pembatas kedalaman **(15)** dan pasang pembatas kedalaman ke gagang tambahan **(16)**.
Permukaan yang menonjol pada pembatas kedalaman **(17)** harus menghadap ke bawah.
- Masukkan alat sisipan SDS plus ke dalam dudukan alat kerja SDS plus **(3)** hingga maksimal. Alat kerja SDS plus yang goyah dapat menyebabkan kesalahan dalam penyetelan kedalaman bor.
- Tarik pembatas kedalaman hingga jarak antara ujung mata bor dan ujung pembatas kedalaman sesuai dengan kedalaman pengeboran **X** yang diinginkan.

Memilih chuck bor dan perkakas

Untuk mengebor benda keras dan memahat, diperlukan perkakas SDS plus yang dipasang ke dalam chuck bor SDS plus.

Perkakas tanpa SDS plus (misalnya bor dengan batang berbentuk silinder) digunakan untuk pengeboran tanpa getaran pada kayu, logam, keramik dan bahan sintetis serta untuk penyekrupan. Untuk perkakas ini, diperlukan chuck bor penggantian pengencangan cepat **(1)** dengan penghenti getaran yang terintegrasi.

Catatan: Chuck bor penggantian pengencangan cepat **(1)** dengan penghenti getaran yang terintegrasi akan menjamin perkakas yang terpasang tidak mengalami kerusakan.

Melepaskan/memasang chuck bor penggantian

Melepaskan chuck bor penggantian (lihat gambar C)

- Tarik ring pengunci chuck bor penggantian **(6)** ke belakang, tahan ring pengunci pada posisi ini dan tarik chuck bor penggantian SDS plus **(2)** atau chuck bor penggantian pengencangan cepat **(1)** ke depan hingga terlepas.
- Jaga kebersihan chuck bor penggantian setelah dilepaskan.

Memasang chuck bor penggantian (lihat gambar D)

- Bersihkan chuck bor penggantian sebelum dipasang dan lumasi ujungnya dengan sedikit minyak.
- Pegang chuck bor penggantian SDS plus **(2)** atau chuck bor penggantian pengencangan cepat **(1)** dengan seluruh tangan. Dorong chuck bor penggantian dengan diputar ke dudukan chuck bor **(20)** hingga terdengar bunyi mengunci yang jelas.
- Chuck bor penggantian mengunci secara otomatis. Periksa penguncian dengan menarik chuck bor.

Mengganti perkakas

Tutup pelindung debu **(4)** mencegah masuknya debu pengeboran ke dalam dudukan alat kerja selama

pengoperasian. Saat menggunakan perkakas, pastikan tutup pelindung debu (4) tidak rusak.

- **Tutup pelindung debu yang rusak harus segera diganti. Disarankan untuk melakukannya di layanan pelanggan Bosch.**

Mengganti perkakas (SDS plus)

Memasang alat sisipan SDS plus (lihat gambar E)

Dengan chuck bor SDS-plus, alat sisipan dapat diganti dengan mudah dan cepat tanpa menggunakan alat bantu.

- Pasang chuck bor penggantian SDS plus (2).
- Bersihkan ujung alat sisipan dan lumasi dengan sedikit minyak.
- Pasang alat sisipan ke dalam dudukan alat kerja dengan diputar hingga terkunci dengan sendirinya.
- Periksa penguncian dengan menarik alat.

Alat sisipan SDS-plus harus dapat bergerak dengan bebas. Hal ini menimbulkan penyimpangan putaran sewaktu perkakas listrik berjalan pada kecepatan idle. Hal ini tidak memengaruhi ketepatan lubang bor karena mata bor memusatkan dengan sendirinya saat mengebor.

Melepaskan alat sisipan SDS plus (lihat gambar F)

- Dorong selongsong pengunci (5) ke belakang dan lepaskan alat sisipan.

Mengganti perkakas (tanpa SDS plus)

Memasang alat sisipan (lihat gambar G)

Catatan: Jangan menggunakan perkakas tanpa SDS plus untuk mengebor benda keras atau memahat! Perkakas tanpa SDS plus dan chuck bor akan menjadi rusak jika digunakan untuk mengebor benda keras dan memahat.

- Pasang chuck bor penggantian pengencangan cepat (1) dengan penghenti getaran yang terintegrasi.

Catatan: Hanya gunakan chuck bor penggantian pengencangan cepat khusus untuk **GBH 18V-34 CF** dengan penghenti getaran yang terintegrasi. Chuck bor ini akan menjamin bahwa mekanisme benturan pneumatik bor hammer tidak merusak alat sisipan.

- Pegang ring penahan (22) chuck bor penggantian pengencangan cepat dengan kuat. Buka dudukan alat kerja dengan memutar selongsong depan (21) hingga alat kerja dapat dimasukkan. Pegang ring penahan (22) dengan kuat dan putar selongsong depan (21) dengan kuat sesuai arah panah hingga terdengar bunyi klik dengan jelas.
- Periksa kedudukannya dengan menarik alat.

Catatan: Jika dudukan alat kerja dibuka hingga maksimal, bunyi klik dapat terdengar saat menutup dudukan alat kerja dan dudukan alat kerja tidak akan menutup.

Pada situasi ini, putar selongsong depan (21) satu kali berlawanan dengan arah panah. Lalu, dudukan alat kerja akan dapat ditutup.

- Putar switch kombi (7) ke posisi "Pengeboran".

Melepaskan alat sisipan (lihat gambar H)

- Pegang ring penahan (22) chuck bor penggantian pengencangan cepat dengan kuat. Buka dudukan alat kerja dengan memutar selongsong depan (21) sesuai arah panah hingga alat kerja dapat dilepaskan.

Pengisapan debu/serbuk

Debu dari bahan-bahan seperti cat yang mengandung timbal, beberapa jenis kayu, bahan mineral dan logam dapat berbahaya bagi kesehatan. Menyentuh atau menghirup debu tersebut dapat mengakibatkan reaksi alergi dan/atau penyakit saluran pernapasan bagi pengguna atau orang yang berada di dekatnya.

Beberapa debu tertentu seperti misalnya debu kayu pohon ek atau pohon fagus silvatica dianggap dapat mengakibatkan penyakit kanker, terutama dalam campuran dengan bahan-bahan tambahan untuk pengolahan kayu (kromat, obat pengawet kayu). Bahan-bahan yang mengandung asbestos hanya boleh dikerjakan oleh orang-orang yang ahli.

- Gunakanlah hanya pengisap debu yang cocok untuk mengisap bahan yang dikerjakan.
- Pastikan terdapat ventilasi udara yang baik di tempat kerja.
- Dianjurkan untuk memakai masker anti debu dengan filter kelas P2.

Taatilah peraturan-peraturan untuk bahan-bahan yang dikerjakan yang berlaku di negara Anda.

- **Hindari debu yang banyak terkumpul di tempat kerja.** Debu dapat tersulut dengan mudah.

Penggunaan

Pengoperasian pertama kali

- Pastikan penutup modul (13) *Bluetooth*® Low Energy GCY 42 ditutup selama pengoperasian. Hal ini menghindari masuknya debu.

Memasang baterai

- **Hanya gunakan baterai Li-ion Bosch yang asli dengan tegangan yang tercantum pada label tipe perkakas listrik Anda.** Menggunakan baterai lain dapat menyebabkan cedera dan bahaya kebakaran.
- Tekan tombol pengunci (9) untuk melindungi perkakas listrik menyala secara tidak sengaja.
- Pasang baterai yang telah terisi daya (12) pada kontak pengisian daya housing hingga baterai terkunci dengan aman.

Mengatur mode pengoperasian (lihat gambar I)


Mode pengoperasian perkakas listrik dapat dipilih menggunakan switch kombi (7).

Catatan: Hanya ubah mode pengoperasian saat perkakas listrik dimatikan! Jika tidak, perkakas listrik dapat menjadi rusak.

Catatan: Jika mode pengoperasian diubah selama tombol on/off terkunci, perkakas listrik akan mati dengan sendirinya.

- Putar switch kombi (7) untuk mengganti mode pengoperasian ke posisi yang diinginkan hingga switch terdengar terkunci.

 Posisi untuk **mengebor benda keras** pada beton atau batu

 **GBH 18V-34 CF** dengan chuck bor penggantian pengencangan cepat (1): Posisi untuk **mengebor** tanpa getaran pada kayu, logam, keramik dan bahan sintesis (**putaran ke kanan**)

 Posisi untuk **putaran ke kiri** untuk melepaskan alat sisipan dari benda kerja

 Posisi **Vario Lock** untuk menyesuaikan posisi pahat.

 Posisi untuk **memahat**

Menyalakan/mematikan

- Jika perlu, lepaskan tombol pengunci (9) untuk tombol on/off.
- Untuk **menyalakan** perkakas listrik, tekan tombol on/off (11).

Lampu akan menyala saat tombol on/off (11) ditekan singkat atau ditekan kuat sehingga akan membantu menerangi area kerja saat kondisi cahaya minim.

- Untuk **mematikan** perkakas listrik, lepaskan tombol on/off (11).

Mengatur kecepatan putaran/tingkat getaran

Kecepatan putaran/tingkat getaran dari perkakas listrik yang dihidupkan dapat diatur terus-menerus bergantung seberapa kuat tombol on/off (11) ditekan.

Jika tombol on/off (11) ditekan singkat, kecepatan putaran/tingkat getaran akan menjadi rendah. Jika tombol ditekan kuat, kecepatan putaran/tingkat getaran akan bertambah.

Kecepatan putaran juga dapat diatur pada User Interface atau aplikasi smartphone (lihat „Memilih mode pengoperasian“, Halaman 93).

Mengubah posisi pahat (Vario Lock)

Pahat dapat dikunci pada 16 posisi. Dengan demikian, posisi kerja yang optimal dapat diperoleh.

- Masukkan pahat ke dalam dudukan alat kerja.
- Putar switch kombi (7) ke posisi "Vario Lock".
- Putar alat sisipan ke posisi pahat yang diinginkan.
- Putar switch kombi (7) ke posisi "Pemahatan". Dudukan alat kerja kemudian akan terkunci.

Pemahatan dengan fungsi penguncian

Untuk memahat dalam waktu lama tanpa selalu menekan tombol on/off (11), kunci tombol on/off pada mode pengoperasian "Pemahatan".

- Untuk **mengunci**, tekan tombol on/off (11) hingga maksimal dan tekan tombol pengunci (9) secara bersamaan.
- Untuk memahat, tekan kembali tombol pengunci (9).

Catatan: Jika mode pengoperasian diubah selama tombol on/off terkunci, perkakas listrik akan mati dengan sendirinya.

Kopling beban berlebihan

- ▶ Jika alat sisipan terjepit atau tersangkut, maka daya penggerak ke spindel bor akan terhenti. Akibat daya yang timbul, tahan selalu perkakas listrik dengan kuat menggunakan kedua tangan dan ambil pijakan yang kuat.
- ▶ Jika perkakas listrik macet, matikan perkakas listrik dan lepaskan alat sisipan. Jika perkakas listrik dihidupkan dengan kondisi mesin bor masih macet, hal ini dapat menyebabkan terjadinya torsi reaksi yang besar.

Penonaktifan cepat (Kickback Control)



Penonaktifan cepat (Kickback Control) menyediakan kendali yang lebih baik pada perkakas listrik dan meningkatkan perlindungan terhadap pengguna dibandingkan perkakas listrik yang tidak dilengkapi Kickback Control. Jika perkakas listrik berputar pada poros bor secara mendadak dan tak terduga, perkakas listrik akan mati, display penonaktifan cepat (24) akan menyala dan lampu kerja (14) akan berkedip. Jika penonaktifan cepat diaktifkan, display status (27) akan berkedip merah.

- Untuk **mengoperasikan kembali perkakas listrik**, lepaskan tombol on/off (11) lalu tekan kembali.

Electronic Precision Control (EPC)

EPC membantu Anda selama pengerjaan melalui getaran dengan meningkatkan kecepatan pengoperasian secara perlahan untuk pengerjaan yang tepat.

Kontrol kecepatan putaran elektrik (Adaptive Speed Control) pada mode pengoperasian "Pemahatan"



Untuk kontrol yang lebih baik dan posisi yang tepat, perkakas listrik dimulai dengan kecepatan putaran yang rendah dan kemudian dengan cepat meningkat hingga kecepatan putaran maksimal. Kontrol kecepatan putaran elektrik diaktifkan secara otomatis saat memasang perkakas listrik.

User Interface (lihat gambar J)

User Interface **(19)** digunakan untuk memilih mode pengoperasian serta untuk menampilkan status perkakas listrik.

Display status

Indikator level pengisian daya baterai (User Interface) (23)	Arti/penyebab	Solusi
hijau (2 hingga 5 bar)	Baterai telah terisi daya	–
kuning (1 bar)	Baterai hampir kosong	Segera ganti atau isi daya baterai
merah (1 bar)	Baterai kosong	Ganti atau isi daya baterai

Display suhu (29)	Arti/penyebab	Solusi
kuning	Suhu pengoperasian baterai atau perkakas listrik meningkat secara signifikan, kinerja berkurang	Operasikan perkakas listrik pada posisi idle dan biarkan mendingin atau ganti baterai yang sudah terlalu panas
merah	Suhu pengoperasian baterai atau perkakas listrik terlampaui, perkakas listrik dimatikan untuk perlindungan	Biarkan perkakas listrik mendingin atau ganti baterai yang sudah terlalu panas

Display status perkakas listrik (27)	Arti/penyebab	Solusi
hijau	Status OK	–
kuning	Suhu kritis tercapai atau baterai hampir kosong	Operasikan perkakas listrik pada posisi idle dan biarkan mendingin atau segera ganti atau isi daya baterai
merah	Perkakas listrik terlalu panas atau baterai kosong	Biarkan perkakas listrik mendingin atau ganti atau isi daya baterai
merah	Tombol penguncian ditekan pada mode pengoperasian "Hammer drilling"	Tekan kembali tombol penguncian
	Switch kombi ditekan selama pengoperasian	Matikan dan nyalakan kembali perkakas listrik
	Mesin terhalang, baterai terlalu lemah	Isi daya baterai atau gunakan jenis baterai yang direkomendasikan
	Kesalahan umum	– Matikan dan nyalakan kembali perkakas listrik atau lepas dan pasang kembali baterai Jika kesalahan berlanjut: – Kirimkan perkakas listrik ke layanan pelanggan
berkedip merah – Bersamaan dengan display penonaktifan cepat (24)	Penonaktifan cepat telah terpicu	Matikan dan nyalakan kembali perkakas listrik
berkedip biru	Perkakas listrik terhubung dengan perangkat seluler atau pengaturan dikirim	–

Display status smartphone (28)	Arti/penyebab	Solusi
hijau	Informasi tambahan tersedia (misalnya informasi komersial)	Jika tertarik, baca pesan pada smartphone
kuning	Informasi penting tersedia (misalnya peringatan suhu)	Baca pesan pada smartphone

Display status smartphone (28)	Arti/penyebab	Solusi
merah	Informasi penting mengenai pengoperasian tersedia (misalnya mesin mati akibat kesalahan dalam unit microcontroller)	Segera baca pesan pada smartphone

Memilih mode pengoperasian

- Tekan tombol **(26)** beberapa kali untuk memilih mode pengoperasian hingga mode pengoperasian yang diinginkan menyala.

Catatan: Pada mode pengoperasian **Favorite**, fungsi dikonfigurasi melalui aplikasi smartphone, fungsi sebelumnya telah diatur dalam mode pengoperasian **Auto** dan **Soft**.

Display mode pengoperasian (25)	Fungsi
Auto menyala	<p>Pada mode pengoperasian Auto, perkakas listrik mencapai kinerja maksimal.</p> <ul style="list-style-type: none"> – Mode pengoperasian "Pengeboran benda keras": Meningkatkan kecepatan putaran dengan cepat untuk mengontrol pengeboran hingga 100 % kecepatan maksimal – Mode pengoperasian "Pemahatan": Kontrol kecepatan putaran elektrik (Adaptive Speed Control) – Penonaktifan cepat (Kickback Control)
Soft menyala	<p>Mode pengoperasian Soft digunakan untuk mengerjakan bahan yang rentan.</p> <ul style="list-style-type: none"> – Mode pengoperasian "Pengeboran benda keras": EPC aktif, meningkatkan kecepatan putaran dengan perlahan untuk pengeboran pelan hingga 80 % kecepatan putaran maksimal untuk pengeboran benda keras pada permukaan yang rentan – Mode pengoperasian "Pemahatan": Kontrol kecepatan putaran elektrik (Adaptive Speed Control) diatur menjadi semakin sensitif – Penonaktifan cepat (Kickback Control) diatur menjadi semakin sensitif
Favorite menyala	<p>Pada mode pengoperasian Favorite, perkakas listrik dapat dikonfigurasi secara individu melalui aplikasi smartphone.</p> <ul style="list-style-type: none"> – Mode pengoperasian "Pengeboran benda keras" yang dapat dikonfigurasi dalam beberapa level: <ul style="list-style-type: none"> Kinerja di atas kecepatan putaran Electronic Precision Control (EPC) di atas kecepatan awal – Mode pengoperasian "Pemahatan": Kontrol kecepatan putaran elektrik (Adaptive Speed Control) dapat diaktifkan dan dinonaktifkan – Sensitivitas penonaktifan cepat (Kickback Control) dapat dikonfigurasi hingga dinonaktifkan

Fungsi konektivitas

Berkaitan dengan modul *Bluetooth*® Low Energy GCY 42, fungsi konektivitas berikut tersedia untuk perkakas listrik:

- Pendaftaran dan personalisasi
- Pemeriksaan status, tampilan pesan peringatan
- Informasi umum dan pengaturan
- Perawatan

Untuk informasi mengenai modul *Bluetooth*® Low Energy **GCY 42**, baca panduan pengoperasian terkait.

Display smartphone **(28)** akan menyala jika perkakas listrik mengirimkan informasi (misalnya peringatan suhu) menggunakan teknologi nirkabel *Bluetooth*® ke perangkat seluler.

Petunjuk pengoperasian

- **Perkakas listrik dengan modul *Bluetooth*® Low Energy GCY 42 yang terpasang dilengkapi dengan antarmuka**

nirkabel. Perhatikan batasan pengoperasian lokal, misalnya dalam pesawat terbang atau di rumah sakit.

- **Area yang tidak memperbolehkan penggunaan teknologi nirkabel *Bluetooth*®, modul *Bluetooth*® Low Energy GCY 42 dan baterai kancing harus dilepaskan.**

Catatan: Penutup **(13)** hanya dapat ditutup dengan aman jika modul *Bluetooth*® Low Energy GCY 42 dan baterai kancing terdapat pada perkakas listrik.

- Untuk **menonaktifkan** modul *Bluetooth*® Low Energy GCY 42, putar baterai kancing atau letakkan isolasi antara baterai kancing dan modul *Bluetooth*® Low Energy GCY 42.
- Tutup penutup **(13)** untuk mencegah kotoran masuk.

Peredaman getaran

MW Vibration Control Peredaman getaran yang terintegrasi akan mengurangi getaran yang muncul.

- ▶ **Hentikan penggunaan perkakas listrik jika elemen peredaman rusak.**

Petunjuk untuk penanganan baterai yang optimal

Lindungilah baterai dari kelembapan dan air.

Simpan baterai hanya pada rentang suhu antara -20°C hingga 50°C . Janganlah meletakkan baterai di dalam mobil, misalnya pada musim panas.

Bersihkan lubang ventilasi baterai dengan kuas yang lunak, bersih dan kering secara berkala.

Waktu pengoperasian yang berkurang secara signifikan setelah pengisian daya menunjukkan bahwa baterai telah habis dan perlu diganti.

Perhatikan petunjuk untuk membuang.

Perawatan dan servis

Perawatan dan pembersihan

- ▶ **Sebelum melakukan semua pekerjaan pada perkakas listrik (misalnya merawat, mengganti alat kerja, dsb.) serta selama transpor dan penyimpanan, keluarkanlah baterai dari perkakas listrik.** Terdapat risiko cedera apabila tombol untuk menghidupkan dan mematikan dioperasikan tanpa sengaja.
- ▶ **Perkakas listrik dan lubang ventilasi harus selalu dibersihkan agar perkakas dapat digunakan dengan baik dan aman.**
- ▶ **Tutup pelindung debu yang rusak harus segera diganti. Direkomendasikan untuk melakukannya di layanan pelanggan Bosch.**
 - Bersihkanudukan alat kerja (3) setiap kali selesai digunakan.
 - Bersihkanudukan alat kerja setiap kali selesai digunakan.

Layanan pelanggan dan konsultasi penggunaan

Layanan pelanggan Bosch menjawab semua pertanyaan Anda tentang reparasi dan perawatan serta tentang suku cadang produk ini. Gambaran teknis (exploded view) dan informasi mengenai suku cadang dapat ditemukan di: www.bosch-pt.com

Tim konsultasi penggunaan Bosch akan membantu Anda menjawab pertanyaan seputar produk kami beserta aksesorinya.

Jika Anda hendak menanyakan sesuatu atau memesan suku cadang, selalu sebutkan nomor model yang terdiri dari 10 angka dan tercantum pada label tipe produk.

Indonesia

PT Robert Bosch
Palma Tower 10th Floor
Jalan RA Kartini II-S Kavelling 6
Pondok Pinang, Kebayoran Lama
Jakarta Selatan 12310
Tel.: (021) 3005 5800
Fax: (021) 3005 5801

E-Mail: boschpowertools@id.bosch.com
www.bosch-pt.co.id

Transpor

Pada baterai-baterai li-ion yang digunakan diterapkan persyaratan terkait peraturan-peraturan tentang bahan-bahan yang berbahaya. Baterai-baterai dapat diangkut oleh penggunaannya tanpa pembatasan lebih lanjut di jalan.

Pada pengiriman oleh pihak ketiga (misalnya transportasi udara atau perusahaan ekspedisi) harus ditaati syarat-syarat terkait kemasan dan pemberian tanda. Dalam hal ini, diperlukan konsultasi dengan ahli bahan-bahan berbahaya saat mengatur barang pengiriman.

Kirimkan baterai hanya jika housing-nya tidak rusak. Tutup bagian-bagian yang terbuka dan kemas baterai agar tidak bergerak-gerak di dalam kemasan. Taatilah peraturan-peraturan nasional lainnya yang mungkin lebih rinci yang berlaku di negara Anda.

Cara membuang



Perkakas listrik, baterai, aksesoris dan kemasan harus didaur ulang dengan cara yang ramah lingkungan.



Jangan membuang perkakas listrik, aki/baterai ke dalam sampah rumah tangga!

Baterai:

Li-ion:

Perhatikanlah petunjuk-petunjuk dalam bab Transpor (lihat „Transpor“, Halaman 94).

Tiếng Việt

Hướng dẫn an toàn

Cảnh báo Tổng quát Cách sử dụng An toàn Dụng cụ điện cầm tay

⚠ CẢNH BÁO **Đọc kỹ mọi cảnh báo an toàn và hướng dẫn.** Không tuân thủ mọi cảnh báo và hướng dẫn được liệt kê dưới đây có thể bị điện giật, gây cháy và / hay bị thương tật nghiêm trọng.

Hãy giữ tất cả tài liệu về cảnh báo và hướng dẫn để tham khảo về sau.

Thuật ngữ "dụng cụ điện cầm tay" trong phần cảnh báo là để cập đến sự sử dụng dụng cụ điện cầm tay của bạn, loại sử dụng điện nguồn (có dây cắm điện) hay vận hành bằng pin (không dây cắm điện).

Khu vực làm việc an toàn

- ▶ **Giữ nơi làm việc sạch và đủ ánh sáng.** Nơi làm việc bừa bộn và tối tăm dễ gây ra tai nạn.

- ▶ **Không vận hành dụng cụ điện cầm tay trong môi trường dễ gây nổ, chẳng hạn như nơi có chất lỏng dễ cháy, khí đốt hay rác.** Dụng cụ điện cầm tay tạo ra các tia lửa nên có thể làm rác bén cháy hay bốc khói.
- ▶ **Không để trẻ em hay người đến xem đứng gần khi vận hành dụng cụ điện cầm tay.** Sự phân tâm có thể gây ra sự mất điều khiển.

An toàn về điện

- ▶ **Phích cắm của dụng cụ điện cầm tay phải thích hợp với ổ cắm. Không bao giờ được cải biến lại phích cắm dưới mọi hình thức. Không được sử dụng phích tiếp hợp nối tiếp đất (dây mát).** Phích cắm nguyên bản và ổ cắm đúng loại sẽ làm giảm nguy cơ bị điện giật.
- ▶ **Tránh không để thân thể tiếp xúc với đất hay các vật có bề mặt tiếp đất như đường ống, lò sưởi, hàng rào và tủ lạnh.** Có nhiều nguy cơ bị điện giật hơn nếu cơ thể bạn bị tiếp hay nối đất.
- ▶ **Không được để dụng cụ điện cầm tay ngoài mưa hay ở tình trạng ẩm ướt.** Nước vào máy sẽ làm tăng nguy cơ bị điện giật.
- ▶ **Không được lạm dụng dây dẫn điện.** Không bao giờ được nắm dây dẫn để xách, kéo hay rút phích cắm dụng cụ điện cầm tay. Không để dây gần nơi có nhiệt độ cao, dầu nhớt, vật nhọn bén và bộ phận chuyển động. Làm hỏng hay cuộn rối dây dẫn làm tăng nguy cơ bị điện giật.
- ▶ **Khi sử dụng dụng cụ điện cầm tay ngoài trời, dùng dây nối thích hợp cho việc sử dụng ngoài trời.** Sử dụng dây nối thích hợp cho việc sử dụng ngoài trời làm giảm nguy cơ bị điện giật.
- ▶ **Nếu việc sử dụng dụng cụ điện cầm tay ở nơi ẩm ướt là không thể tránh được, dùng thiết bị ngắt mạch tự động (RCD) bảo vệ nguồn.** Sử dụng thiết bị ngắt mạch tự động RCD làm giảm nguy cơ bị điện giật.

An toàn cá nhân

- ▶ **Hãy tỉnh táo, biết rõ mình đang làm gì và hãy sử dụng ý thức khi vận hành dụng cụ điện cầm tay.** Không sử dụng dụng cụ điện cầm tay khi đang mệt mỏi hay đang bị tác động do chất gây nghiện, rượu hay được phẩm gây ra. Một thoáng mất tập trung khi đang vận hành dụng cụ điện cầm tay có thể gây thương tích nghiêm trọng cho bản thân.
- ▶ **Sử dụng trang bị bảo hộ cá nhân.** Luôn luôn đeo kính bảo vệ mắt. Trang bị bảo hộ như khẩu trang, giày chống trượt, nón bảo hộ, hay dụng cụ bảo vệ tai khi được sử dụng đúng nơi đúng chỗ sẽ làm giảm nguy cơ thương tật cho bản thân.
- ▶ **Phòng tránh máy khởi động bất ngờ.** Bảo đảm công tắc máy ở vị trí tắt trước khi cắm vào nguồn điện và/hay lắp pin vào, khi nhấn máy lên hay khi mang xách máy. Ngáng ngón

tay vào công tắc máy để xách hay kích hoạt dụng cụ điện cầm tay khi công tắc ở vị trí mở dễ dẫn đến tai nạn.

- ▶ **Lấy mọi chìa hay khóa điều chỉnh ra trước khi mở điện dụng cụ điện cầm tay.** Khóa hay chìa còn gắn dính vào bộ phận quay của dụng cụ điện cầm tay có thể gây thương tích cho bản thân.
- ▶ **Không rướn người. Luôn luôn giữ tư thế đứng thích hợp và thăng bằng.** Điều này tạo cho việc điều khiển dụng cụ điện cầm tay tốt hơn trong mọi tình huống bất ngờ.
- ▶ **Trang phục thích hợp. Không mặc quần áo rộng lủng thụng hay mang trang sức. Giữ tóc, quần áo và găng tay xa khỏi các bộ phận chuyển động.** Quần áo rộng lủng thụng, đồ trang sức hay tóc dài có thể bị cuốn vào các bộ phận chuyển động.
- ▶ **Nếu có các thiết bị đi kèm để nối máy hút bụi và các phụ kiện khác, bảo đảm các thiết bị này được nối và sử dụng tốt.** Việc sử dụng các thiết bị gom hút bụi có thể làm giảm các độc hại liên quan đến bụi gây ra.

Sử dụng và bảo dưỡng dụng cụ điện cầm tay

- ▶ **Không được ép máy. Sử dụng dụng cụ điện cầm tay đúng loại theo đúng ứng dụng của bạn.** Dụng cụ điện cầm tay đúng chức năng sẽ làm việc tốt và an toàn hơn theo đúng tiến độ mà máy được thiết kế.
- ▶ **Không sử dụng dụng cụ điện cầm tay nếu như công tắc không tắt và mở được.** Bất kỳ dụng cụ điện cầm tay nào mà không thể điều khiển được bằng công tắc là nguy hiểm và phải được sửa chữa.
- ▶ **Rút phích cắm ra khỏi nguồn điện và/hay pin ra khỏi dụng cụ điện cầm tay trước khi tiến hành bất kỳ điều chỉnh nào, thay phụ kiện, hay cất dụng cụ điện cầm tay.** Các biện pháp ngăn ngừa như vậy làm giảm nguy cơ dụng cụ điện cầm tay khởi động bất ngờ.
- ▶ **Cất giữ dụng cụ điện cầm tay không dùng tới nơi trẻ em không lấy được và không cho người chưa từng biết dụng cụ điện cầm tay hay các hướng dẫn này sử dụng dụng cụ điện cầm tay.** Dụng cụ điện cầm tay nguy hiểm khi ở trong tay người chưa được chỉ cách sử dụng.
- ▶ **Bảo quản dụng cụ điện cầm tay. Kiểm tra xem các bộ phận chuyển động có bị sai lệch hay kẹt, các bộ phận bị rạn nứt và các tình trạng khác có thể ảnh hưởng đến sự vận hành của máy. Nếu bị hư hỏng, phải sửa chữa máy trước khi sử dụng.** Nhiều tai nạn xảy ra do bảo quản dụng cụ điện cầm tay tồi.
- ▶ **Giữ các dụng cụ cất bên và sạch.** Bảo quản đúng cách các dụng cụ cất có cạnh cắt bên làm giảm khả năng bị kẹt và dễ điều khiển hơn.

- ▶ **Sử dụng dụng cụ điện cầm tay, phụ kiện, đầu cài v. v., đúng theo các chỉ dẫn này, hãy lưu ý đến điều kiện làm việc và công việc phải thực hiện.** Sự sử dụng dụng cụ điện cầm tay khác với mục đích thiết kế có thể tạo nên tình huống nguy hiểm.

Sử dụng và bảo quản dụng cụ dùng pin

- ▶ **Chỉ được sạc pin lại với bộ nạp điện do nhà sản xuất chỉ định.** Bộ nạp điện thích hợp cho một loại pin có thể gây nguy cơ cháy khi sử dụng cho một loại pin khác.
- ▶ **Chỉ sử dụng dụng cụ điện cầm tay với loại pin được thiết kế đặc biệt dành riêng cho máy.** Sử dụng bất cứ loại pin khác có thể dẫn đến thương tật hay cháy.
- ▶ **Khi không sử dụng pin, để cách xa các vật bằng kim loại như kẹp giấy, tiền xu, chìa khoá, đinh, ốc vít hay các đồ vật kim loại nhỏ khác, thứ có thể tạo sự nối tiếp từ một đầu cực với một đầu cực khác.** Sự chập mạch của các đầu cực với nhau có thể gây bỏng hay cháy.
- ▶ **Bảo quản ở tình trạng tối, dung dịch từ pin có thể tứa ra; tránh tiếp xúc.** Nếu vô tình chạm phải, hãy xối nước để rửa. Nếu dung dịch vào mắt, cần thêm sự hỗ trợ của y tế. Dung dịch tiết ra từ pin có thể gây ngứa hay bỏng.

Bảo dưỡng

- ▶ **Đưa dụng cụ điện cầm tay của bạn đến thợ chuyên môn để bảo dưỡng, chỉ sử dụng phụ tùng đúng chủng loại để thay.** Điều này sẽ đảm bảo sự an toàn của máy được giữ nguyên.

Cảnh báo An toàn Khoan búa

- ▶ **Đeo bảo vệ tai.** Tiếp xúc với tiếng ồn có thể làm mất khả năng nghe.
- ▶ **Sử dụng (các) tay cầm phụ, nếu được cung cấp kèm theo dụng cụ.** Mất điều khiển có thể gây ra thương tích cho người.
- ▶ **Chỉ cầm dụng cụ điện tại các bề mặt cầm nắm có cách điện, khi thực hiện một thao tác tại vị trí mà phụ kiện cắt có thể tiếp xúc với dây điện ngầm hoặc chính dây điện của thiết bị.** Phụ kiện cắt tiếp xúc với dây có điện có thể làm cho các phần kim loại hở của dụng cụ điện cầm tay có điện và có thể gây ra điện giật cho người vận hành.
- ▶ **Dùng thiết bị dò tìm thích hợp để xác định nếu có các công trình công cộng lắp đặt ngầm trong khu vực làm việc hay liên hệ với Cty công trình công cộng địa phương để nhờ hỗ trợ.** Đụng chạm đường dẫn điện có thể gây ra hỏa hoạn và điện giật. Làm hư hại đường dẫn khí ga có thể gây nổ. Làm thủng ống dẫn nước có thể làm hư hại tài sản hay có thể gây ra điện giật.
- ▶ **Luôn luôn đợi cho máy hoàn toàn ngừng hẳn trước khi đặt xuống.** Dụng cụ lắp vào máy có

thể bị kẹp chặt dẫn đến việc dụng cụ điện cầm tay bị mất điều khiển.

- ▶ **Kẹp chặt vật gia công.** Vật gia công được kẹp bằng một thiết bị kẹp hay bằng ê-tô thì vững chắc hơn giữ bằng tay.
- ▶ **Trong trường hợp pin bị hỏng hay sử dụng sai cách, hơi nước có thể bốc ra. Pin có thể cháy hoặc nổ.** Hãy làm cho thông thoáng khí và trong trường hợp bị đau phải nhờ y tế chữa trị. Hơi nước có thể gây ngứa hệ hô hấp.
- ▶ **Không được tháo pin ra.** Nguy cơ bị chập mạch.
- ▶ **Pin có thể bị hư hại bởi các vật dụng nhọn như đinh hay tuốc-nơ-vít hoặc bởi các tác động lực từ bên ngoài.** Nó có thể dẫn tới đoản mạch nội bộ và làm pin bị cháy, bốc khói, phát nổ hoặc quá nóng.
- ▶ **Chỉ sử dụng pin trong các sản phẩm của nhà sản xuất.** Chỉ bằng cách này, pin sẽ được bảo vệ tránh nguy cơ quá tải.



Bảo vệ pin không để bị làm nóng, ví dụ, chống để lâu dài dưới ánh nắng gay gắt, lửa, chất bẩn, nước, và sự ẩm ướt. Có nguy cơ nổ và chập mạch.



- ▶ **Giữ máy thật chắc bằng cả hai tay trong khi làm việc và luôn luôn giữ tư thế đứng cho thích hợp và cân bằng.** Dùng hai tay để điều khiển máy thì an toàn hơn.
- ▶ **Cẩn thận! Nếu sử dụng dụng cụ điện với cổng Bluetooth® có thể gây nhiễu các dụng cụ, thiết bị khác cũng như máy bay và dụng cụ y tế (ví dụ: máy tạo nhịp tim, máy trợ thính).** Và cũng không thể loại trừ hoàn toàn những tổn hại cho người và động vật ở môi trường trực diện xung quanh. Không sử dụng dụng cụ điện có kết nối Bluetooth® ở gần những thiết bị y tế, trạm xăng, cơ sở hóa học, các khu vực có nguy cơ gây nổ và các khu vực cháy nổ. Không sử dụng dụng cụ điện có kết nối Bluetooth® trên máy bay. Tránh để máy hoạt động gần cơ thể trong thời gian dài.

Biểu tượng chữ Bluetooth® cũng như biểu tượng ảnh (các logo) do công ty cổ phần Bluetooth SIG đăng ký nhân hiệu và sở hữu. Công ty trách nhiệm hữu hạn Robert Bosch Power Tools GmbH đã được cấp phép để sử dụng những biểu tượng chữ/biểu tượng ảnh này với sản phẩm của mình.

Mô Tả Sản Phẩm và Đặc Tính Kỹ Thuật



Đọc kỹ mọi cảnh báo an toàn và mọi hướng dẫn. Không tuân thủ mọi cảnh báo và hướng dẫn được liệt kê dưới đây có thể bị điện giật, gây cháy và / hay bị thương tật nghiêm trọng.

Xin lưu ý các hình minh hoạt trong phần trước của hướng dẫn vận hành.

Sử dụng đúng cách

Dụng cụ điện được thiết kế để khoan có động tác búa vào bê-tông, công trình nề và đá cũng như dành cho công việc đục nhẹ và vừa phải. Dụng cụ điện có ngắt va đập hoặc đầu cặp mũi khoan của máy khoan trục tròn cũng phù hợp để khoan mà không cần va đập vào gỗ, kim loại, sứ và chất dẻo.

Khi Bluetooth® Low Energy Module GCY 42 được sử dụng, dữ liệu và các cài đặt của dụng cụ điện có thể được truyền đi giữa dụng cụ điện và một thiết bị đầu cuối di động bằng công nghệ sóng vô tuyến Bluetooth®.

Các bộ phận được minh họa

Sự đánh số các biểu trưng của sản phẩm là để tham khảo hình minh họa của máy trên trang hình ảnh.

- (1) Mâm cặp thay nhanh không chia có cỡ chặn va đập tích hợp
- (2) Mâm cặp thay nhanh SDS-plus
- (3) Phần lắp dụng cụ SDS-plus
- (4) Chụp ngăn bụi
- (5) Vòng khóa
- (6) Vòng khóa của mâm cặp thay nhanh
- (7) Công tắc kết hợp của các chế độ vận hành và chuyển động sang phải/sang trái
- (8) Bộ phận giảm chấn
- (9) Nút khoá giữ chế độ tự-chạy của công tắc bật / tắt
- (10) Tay nắm (bề mặt nắm cách điện)
- (11) Công tắc bật/tắt
- (12) Pin^{A)}
- (13) Nắp Bluetooth® Low Energy Module GCY 42
- (14) Đèn làm việc
- (15) Nút điều chỉnh cho cỡ định độ sâu
- (16) Tay nắm phụ (có bề mặt nắm cách điện)
- (17) Cỡ định độ sâu
- (18) Nút tháo pin^{A)}
- (19) Giao diện người dùng
- (20) Miếng ống lắp mâm cặp khoan
- (21) Khớp vòng ngoài của mâm cặp thay nhanh không chia
- (22) Vòng giữ của mâm cặp thay nhanh không chia
- (23) Đèn báo trạng thái nạp pin (Giao diện người dùng)
- (24) Hiển thị chế độ ngắt nhanh (Kickback Control) (Giao diện người dùng)

- (25) Hiển thị chế độ làm việc (Giao diện người dùng)
- (26) Nút chọn chế độ làm việc (Giao diện người dùng)
- (27) Hiển thị Trạng thái dụng cụ điện (Giao diện người dùng)
- (28) Hiển thị Smartphone (Giao diện người dùng)
- (29) Hiển thị nhiệt độ (Giao diện người dùng)

A) **Phụ tùng được trình bày hay mô tả không phải là một phần của tiêu chuẩn hàng hóa được giao kèm theo sản phẩm. Bạn có thể tham khảo tổng thể các loại phụ tùng, phụ kiện trong chương trình phụ tùng của chúng tôi.**

Thông số kỹ thuật

Búa khoan dùng pin	GBH 18V-34 CF	
Mã số máy		3 611 J14 0..
Điện thế danh định	V=	18
Công suất vào danh định	W	750
Tần suất đập ^{A)}	min ⁻¹	0–2900
Năng lượng va đập của từng hành trình dựa theo EPTA-Procedure 05:2016	J	5,8
Tốc độ danh định		
– Chiều quay phải	min ⁻¹	0–500
– Chiều quay trái	min ⁻¹	0–500
Phần lắp dụng cụ		SDS-plus
Đường kính cổ trục	mm	74
Đường kính khoan, tối đa:		
– Bê-tông	mm	32
– Công trình nề (với mũi khoan lõi)	mm	40–82
– Thép	mm	13
– Gỗ	mm	40
Trọng lượng theo EPTA-Procedure 01:2014 ^{A)}	kg	5,2–6,3
Chiều dài	mm	430
Chiều cao	mm	250
Nhiệt độ môi trường được khuyến nghị khi sạc	°C	0 ... +35
Nhiệt độ môi trường cho phép trong quá trình vận hành ^{B)} và trong quá trình lưu trữ	°C	–20 ... +50
Pin tương thích		GBA 18V... ProCORE18V...

Búa khoan dùng pin		GBH 18V-34 CF
Pin được khuyến dùng cho công suất tối đa		ProCORE18V... ≥ 5,5 Ah
Thiết bị nạp được giới thiệu		GAL 18... GAX 18V... GAL 36...
Truyền dữ liệu		
Bluetooth®		Bluetooth® 4.2 (Low Energy) ^{C)}
Khoảng cách giữa các tín hiệu	s	8
Phạm vi tín hiệu tối đa ^{D)}	m	30

- A) tùy vào loại pin lắp đang sử dụng
 B) hiệu suất giới hạn ở nhiệt độ <0 °C
 C) Các thiết bị di động đầu cuối phải tương thích với các thiết bị Bluetooth® Low Energy (Phiên bản 4.2) và phải hỗ trợ chế độ Generic Access Profile (GAP).
 D) Phạm vi có thể biến đổi mạnh tùy thuộc vào điều kiện bên ngoài, bao gồm thiết bị thu nhận được dùng. Trong các phòng kín và qua các rào chắn kim loại (ví dụ tường, giá, va li, v.v.) phạm vi Bluetooth® có thể nhỏ hơn.

Sự lắp vào

- ▶ **Bạn hãy ấn nút khóa giữ trước khi thực hiện tất cả các công việc ở thiết bị điện (ví dụ bảo dưỡng, thay đổi dụng cụ, vv) cũng như khi vận chuyển và bảo quản, để khóa công tắc bật/tắt.** Có nguy cơ gây thương tích khi vô tình làm kích hoạt công tắc Tắt/Mở.

Hãy lắp Bluetooth® Low Energy Module GCY 42

Để biết thông tin về Bluetooth® Low Energy Module **GCY 42**, hãy đọc hướng dẫn vận hành đi kèm.

Sạc pin

- ▶ **Chỉ sử dụng bộ sạc được đề cập trong dữ liệu kỹ thuật.** Chỉ những bộ sạc này phù hợp cho dụng cụ điện cầm tay của bạn có sử dụng pin Li-Ion.

Hướng dẫn: Pin đã được sạc một phần. Để bảo đảm đầy đủ điện dung, nạp điện hoàn toàn lại cho pin trong bộ nạp điện pin trước khi sử dụng cho lần đầu tiên.

Pin Li-Ion hợp khối có thể nạp điện bất cứ lúc nào mà không làm giảm tuổi thọ của pin. Sự gián đoạn trong quá trình nạp điện không làm hư hại pin hợp khối.

Pin Li-Ion được bảo vệ ngăn sự phóng điện quá lớn nhờ vào "Electronic Cell Protection (ECP)". Nếu pin bị phóng điện, dụng cụ điện cầm tay sẽ được ngắt bởi một mạch bảo vệ: Dụng cụ điện không chuyển động nữa.

- ▶ **Có nguy cơ gây thương tích khi vô tình làm kích hoạt công tắc Tắt/Mở.** Pin có thể bị hỏng. Quy trình hoạt động được chia ra làm hai giai đoạn.



Tháo pin ra

Pin (**12**) có hai mức khóa, có nhiệm vụ ngăn ngừa pin bị rơi ra do vô ý bấm phải nút tháo pin (**18**). Cứ khi nào pin còn được lắp trong dụng cụ điện, nó vẫn được giữ nguyên vị trí nhờ vào một lò xo.

- Để tháo pin (**12**) bạn hãy ấn nút mở (**18**) và đẩy pin ra khỏi dụng cụ điện cầm tay. **Không dùng sức.**

Đèn báo trạng thái nạp pin

Các đèn LED màu xanh của màn hình hiển thị tình trạng sạc pin chỉ ra tình trạng sạc của pin. Vì lý do an toàn, ta chỉ có thể kiểm tra trạng thái của tình trạng nạp điện khi máy đã ngừng hoạt động hoàn toàn.

Để hiển thị tình trạng nạp, bạn hãy nhấn nút để hiển thị mức sạc  hoặc . Điều này cũng có thể thực hiện khi ắc quy được tháo ra.

Đèn LED không sáng sau khi nhấn nút để hiển thị mức sạc có nghĩa là pin bị hỏng và phải được thay thế.

Lưu ý: Mức sạc pin cũng được hiển thị trên giao diện người dùng (**19**) Hiển thị trạng thái.

Kiểu pin GBA 18V...



Đèn LED	Điện dung
Đèn sáng liên tục 3× xanh lục	60–100 %
Đèn sáng liên tục 2× xanh lục	30–60 %
Đèn sáng liên tục 1× xanh lục	5–30 %
Đèn xi nhan 1× xanh lục	0–5 %

Kiểu pin ProCORE18V...



Đèn LED	Điện dung
Đèn sáng liên tục 5× xanh lục	80–100 %
Đèn sáng liên tục 4× xanh lục	60–80 %
Đèn sáng liên tục 3× xanh lục	40–60 %
Đèn sáng liên tục 2× xanh lục	20–40 %
Đèn sáng liên tục 1× xanh lục	5–20 %
Đèn xi nhan 1× xanh lục	0–5 %

Tay nắm phụ

- ▶ **Chỉ vận hành máy của bạn khi đã gắn tay nắm phụ (16).**

Xoay tay nắm phụ (xem hình A)

Bạn có thể xoay tay nắm phụ (16) tùy ý, để có tư thế làm việc an toàn và ít mỏi.

- Xoay phần tay cầm dưới của tay nắm phụ (16) ngược chiều kim đồng hồ và xoay tay nắm phụ (16) vào vị trí mong muốn. Sau đó xoay mẫu tay cầm dưới của tay nắm phụ (16) theo chiều kim đồng hồ để siết chặt.
- Hãy lưu ý rằng nẹp định vị của tay nắm phụ được đặt trong rãnh nằm trên vỏ máy đúng như chủ định.

Điều chỉnh độ sâu lỗ khoan (xem Hình B)

Nhờ chốt chặn độ sâu (17), bạn có thể xác định được độ sâu lỗ khoan X mong muốn.

- Bấm nút điều chỉnh cỡ định độ sâu (15) và điều chỉnh cỡ định độ sâu trên tay nắm phụ (16). Rãnh trên cỡ định độ sâu (17) phải hướng lên trên.
- Hãy đẩy dụng cụ gài SDS-plus vào khe cắm dụng cụ cho tới cỡ chặn (3). Nếu không, sự chuyển dịch của dụng cụ khoan SDS-plus có thể dẫn đến sự điều chỉnh sai độ sâu khoan.
- Kéo chốt chặn độ sâu ra xa sao cho khoảng cách giữa mũi khoan và đầu chốt chặn độ sâu phù hợp với độ sâu lỗ khoan mong muốn X.

Chọn Lựa Mâm Cặp Khoan và Dụng Cụ

Để đục hay khoan búa, cần phải sử dụng loại dụng cụ SDS-plus để lắp vào mâm cặp khoan SDS-plus. Để khoan không đập trên gỗ, kim loại, sứ và nhựa cũng như để bắt vít, cần dùng các dụng cụ không SDS-plus (ví dụ khoan có trục hình trụ). Bạn cần mâm cặp thay nhanh không chia (1) có cỡ chặn và đập tích hợp cho dụng cụ này.

Lưu ý: Chỉ với mâm cặp thay nhanh không chia (1) có cỡ chặn và đập tích hợp hãy đảm bảo rằng dụng cụ được sử dụng không bị hư hỏng.

Tháo/Lắp Mâm Cặp Thay Nhanh**Tháo đầu cặp mũi khoan vành răng (xem Hình C)**

- Kéo vòng khóa mâm cặp thay nhanh (6) ra phía sau, giữ chặt tại vị trí và tháo mâm cặp thay nhanh SDS-plus (2) hoặc mâm cặp thay nhanh không chia (1) hướng về phía trước.
- Sau khi tháo ra, hãy bảo vệ cho mâm cặp thay ra không bị bẩn.

Lắp mâm cặp thay nhanh (xem hình D)

- Trước khi lắp vào, lau sạch mâm cặp thay nhanh và bôi một lớp mỏng dầu bôi trơn lên cán chuôi.
- Cắm mâm cặp thay nhanh SDS-plus (2) hoặc mâm cặp thay nhanh không chia (1) bằng cả bàn tay. Hãy đẩy mâm cặp thay nhanh lên thiết bị tiếp hợp đầu cặp mũi khoan (20), cho đến khi bạn nghe thấy tiếng khớp vào.

- Mâm cặp thay nhanh tự động khóa lại. Kiểm tra hiệu quả khóa bằng cách kéo thử mâm cặp thay nhanh.

Thay Dụng Cụ

Chụp bảo vệ ngăn bụi (4) giúp ngăn cản phần lớn sự xâm nhập của bụi khoan vào dụng cụ trong thời gian hoạt động. Khi lắp dụng cụ vào, hãy lưu ý rằng chụp bảo vệ ngăn bụi (4) không bị làm hư hỏng.

- ▶ **Thay chụp ngăn bụi bị hỏng ngay lập tức. Chúng tôi khuyến nghị việc thay thế này do một đại lý phục vụ hậu mãi thực hiện.**

Thay đổi dụng cụ (SDS-plus)**Thay dụng cụ gài SDS-plus (xem hình E)**

Mâm cặp khoan SDS-plus cho phép thay đổi dụng cụ khoan được đơn giản và tiện lợi mà không cần tới các dụng cụ phụ trợ khác.

- Lắp mâm cặp thay nhanh SDS-plus (2) vào.
- Làm sạch và thoa một lớp mỏng dầu bôi trơn lên chuôi của dụng cụ.
- Lắp dụng cụ vào bằng cách xoay vận dụng cụ vào ổ lắp dụng cụ cho đến khi tự ăn vào khớp.
- Kiểm tra xem đã cài chắc chưa bằng cách kéo thử dụng cụ ra.

Theo như yêu cầu của hệ thống, dụng cụ khoan SDS-plus có thể chuyển động tự do. Điều này tạo ra sự đảo tóa tròn khi chạy không tải ở một mức nào đó. Việc này không làm ảnh hưởng đến độ chính xác của lỗ khoan, vì mũi khoan định tâm của chính nó trong khi khoan.

Tháo dụng cụ gài SDS-plus (xem Hình F)

- Đẩy vòng khóa (5) về phía sau và tháo phụ tùng.

Thay đổi dụng cụ (không SDS-plus)**Thay phụ tùng (xem Hình G)**

Hướng dẫn: Không sử dụng các dụng cụ không SDS-plus để khoan búa hoặc đục! Khoan hay đục có động tác búa làm hỏng dụng cụ không phải loại SDS-plus và mâm cặp của chúng.

- Hãy dùng mâm cặp thay nhanh không chia (1) có cỡ chặn và đập tích hợp.

Lưu ý: Chỉ sử dụng mâm cặp thay nhanh không chia có cỡ chặn và đập tích hợp cho

GBH 18V-34 CF. Với đầu cặp mũi khoan này hãy đảm bảo rằng cơ cấu và đập khí nén của búa khoan không làm hư hỏng dụng cụ gài.

- Hãy giữ chặt vòng giữ (22) của mâm cặp thay nhanh không chia. Hãy mở phần lắp dụng cụ bằng cách xoay bạc lót trước (21) cho đến khi dụng cụ có thể được lắp. Giữ chặt vòng giữ (22) và xoay bạc lót phía trước (21) bằng lực mạnh theo hướng mũi tên, cho đến khi nghe thấy tiếng khớp.
- Kiểm tra xem đã vào chắc chưa bằng cách kéo thử dụng cụ ra.

Hướng dẫn: Nếu bộ gá dụng cụ đã được mở ra cho đến khi dừng lại, thì khi xoay bộ gá dụng cụ có thể nghe thấy tiếng kêu rắc và bộ gá dụng cụ không tự đóng lại.

Trong trường hợp này, hãy xoay (21) một lần ống bọc ngoài phía trước ngược hướng mũi tên. Sau đó, bộ gá dụng cụ có thể được đóng lại.

– Vận công tắc kết hợp (7) vào vị trí „Khoan“.

Thay (xem Hình H)

– Hãy giữ chặt vòng giữ (22) của mâm cặp thay nhanh không chia. Hãy mở phần lắp dụng cụ bằng cách xoay bạc lót trước (21) theo hướng mũi tên cho đến khi dụng cụ có thể được tháo.

Hút Dăm/Bụi

Mặt bụi từ các vật liệu được sơn phủ ngoài có chứa chì trên một số loại gỗ, khoáng vật và kim loại có thể gây nguy hại đến sức khỏe con người. Dụng cụ chạm hay hít thở các bụi này có thể làm người sử dụng hay đứng gần bị dị ứng và/hoặc gây nhiễm trùng hệ hô hấp.

Một số mặt bụi cụ thể, ví dụ như bụi gỗ sồi hay đậu, được xem là chất gây ung thư, đặc biệt là có liên quan đến các chất phụ gia dùng xử lý gỗ (chất cromat, chất bảo quản gỗ). Có thể chỉ nên để thợ chuyên môn gia công các loại vật liệu có chứa amiăng.

- Cách xa ở mức có thể được, sử dụng hệ thống hút thích hợp cho loại vật liệu.
- Tạo không khí thông thoáng nơi làm việc.
- Khuyến nghị nên mang mặt nạ phòng độc có bộ lọc cấp P2.

Tuân thủ các quy định của quốc gia bạn liên quan đến loại vật liệu gia công.

► **Tránh không để rác tích tụ tại nơi làm việc.**
Rác có thể dễ dàng bắt lửa.

Vận Hành

Bắt Đầu Vận Hành

► Đảm bảo rằng nắp che (13) của Bluetooth® Low Energy Module GCY 42 được đóng kín khi vận hành. Như vậy bạn sẽ tránh được bụi xâm nhập.

Lắp pin

► **Chỉ sử dụng pin Li-Ion chính hãng Bosch có điện thế quy định được ghi trên nhãn dụng cụ điện của bạn.** Sử dụng bất cứ loại pin khác có thể dẫn đến thương tật hay cháy.

- Bạn hãy nhấn nút khóa giữ (9), để tránh không vô tình bật dụng cụ điện cầm tay.
- Hãy đẩy pin đã sạc (12) vào điểm tiếp xúc sạc của vỏ máy, cho đến khi pin được khóa an toàn.

Cài đặt chế độ vận hành (xem hình I)

Với công tắc kết hợp (7) hãy chọn chế độ vận hành của dụng cụ điện.

Hướng dẫn: Chỉ thay đổi chế độ vận hành khi dụng cụ điện tắt! Nếu không, máy có thể bị làm hỏng.

Lưu ý: Hãy chuyển sang chế độ vận hành khác, trong khi công tắc bật/tắt được khóa, dụng cụ điện được tắt.

– Hãy xoay công tắc kết hợp (7) vào vị trí mong muốn đến khi vào khớp để thay đổi chế độ vận hành.

TI  Vị trí **khoan búa** rên vê-tông hoặc đá



GBH 18V-34 CF với mâm cặp thay nhanh không chia (1): Vị trí để **khoan** không va đập trên gỗ, kim loại, gốm và nhựa (**Xoay sang phải**)

TI  Vị trí **xoay sang trái** để nối lòng dụng cụ gài ra khỏi phôi gia công



TI  Vị trí **Vario-Lock** để điều chỉnh vị trí đục.



TI  Vị trí **đục**



Bật/tắt

– Hãy nhả nút khóa giữ (9) của công tắc bật/tắt nếu cần.

– Để **bật** dụng cụ điện cầm tay, bạn hãy nhấn công tắc bật/tắt (11).

Đèn bật sáng khi nhấn nhẹ hoặc nhấn hoàn toàn công tắc Tắt/Mở (11) và cho phép chiếu sáng khu vực làm việc trong các điều kiện ánh sáng không tốt.

– Để **tắt** dụng cụ điện, hãy nhả công tắc Tắt/Mở (11).

Chỉnh đặt Tốc độ/Tần suất Đập

Bạn có thể liên tục điều chỉnh tốc độ/tần suất đập của dụng cụ điện đang bật tùy theo mức độ bám công tắc Tắt/Mở mạnh hay nhẹ (11).

Bấm nhẹ công tắc Tắt/Mở (11) sẽ cho tốc độ/tần suất đập thấp. Lực áp mạnh hơn lên công tắc làm tăng tốc độ và tần suất đập.

Bạn có thể điều chỉnh số vòng quay trên giao diện người dùng hoặc bằng ứng dụng Smartphone (xem „Chọn chế độ làm việc“, Trang 102).

Thay Đổi Vị Trí Đục (Vario-Lock)

Bạn có thể khóa mũi đục vào 16 các vị trí. Nhờ như vậy, ta có thể tạo tư thế thao tác tốt nhất cho từng ứng dụng.

– Lắp mũi đục vào trong ổ lắp dụng cụ.

- Vận công tắc kết hợp (7) vào vị trí „Vario-Lock“.
- Xoay phần lắp dụng cụ về vị trí đục theo yêu cầu.
- Vận công tắc kết hợp (7) vào vị trí „Đục“. Giá đỡ dụng cụ được khóa.

Đục với chức năng khóa giữ

Để đục lâu hơn mà không cần liên tục nhấn công tắc bật/tắt (11), hãy khóa giữ công tắc bật/tắt trong chế độ vận hành „Đục“.

- Để **khóa** hãy nhấn công tắc bật/tắt (11) cho đến cữ chặn và đồng thời nhấn nút khóa giữ (9).
- Để **tắt**, bạn hãy nhấn lại nút khóa giữ (9).

Lưu ý: Hãy chuyển sang chế độ vận hành khác, trong khi công tắc bật/tắt được khóa, dụng cụ điện được tắt.

Khớp Ly Hợp Chống Quá Tải

- ▶ Nếu dụng cụ lắp trong máy bị kẹt hay kẹt, lực truyền động đến trục khoan bị ngăn lại. Luôn giữ chặt dụng cụ điện bằng hai tay và đứng vững vì khi dụng cụ hoạt động sẽ phát sinh lực.
- ▶ Hãy tắt dụng cụ điện và tháo dụng cụ gài nếu dụng cụ điện bị vướng. Khi mở máy mà dụng cụ ứng dụng bị kẹt cứng, lực xoắn vận cao có thể xảy ra.

Chế độ ngắt nhanh (Kickback Control)



Chế độ ngắt nhanh (Kickback Control) sẽ cung cấp cách kiểm soát dụng cụ điện tốt hơn và qua đó làm tăng mức độ bảo vệ người dùng so với các dụng cụ điện

không có Kickback Control. Ở những vòng quay đột ngột và không thể đoán trước của dụng cụ điện, dụng cụ điện sẽ tắt trục máy khoan, hiển thị ngắt nhanh (24) sáng lên và đèn làm việc (14) nhấp nháy. Khi chế độ ngắt nhanh được kích hoạt, hiển thị trạng thái (27) nhấp nháy đỏ.

- Để **khởi động lại** hãy thả nút bật tắt (11) và nhấn lại lần nữa.

Kiểm soát Độ chính xác Điện tử (EPC)

EPC hỗ trợ bạn khi làm việc có va đập do quá trình chạy đà chậm số vòng quay làm việc để đảm bảo làm việc chính xác.

Điều khiển tốc độ bằng điện (Adaptive Speed Control) trong chế độ „Đục“



Để điều khiển tốt hơn và khởi động chính xác, dụng cụ điện sẽ bắt đầu với tốc độ thấp và sau đó tăng nhanh đến tốc độ tối đa.

Điều khiển tốc độ bằng điện được kích hoạt tự động khi khởi động dụng cụ điện.

Giao diện người dùng (xem hình J)

Giao diện người dùng (19) dùng để chọn chế độ làm việc cũng như hiển thị tình trạng của dụng cụ điện.

Hiển thị trạng thái

Đèn báo trạng thái nạp pin (Giao diện người dùng) (23)	Ý nghĩa/Nguyên nhân	Cách khắc phục
xanh lục (2 đến 5 vạch)	Pin được sạc	–
vàng (1 vạch)	Pin gần cạn	Thay hoặc sạc pin sớm
đỏ (1 vạch)	Bộ nguồn cạn điện	Thay hoặc sạc pin

Hiển thị nhiệt độ (29)	Ý nghĩa/Nguyên nhân	Cách khắc phục
vàng	Nhiệt độ hoạt động của pin hoặc của dụng cụ điện tăng rõ rệt, công suất bị giảm	Không cho dụng cụ điện hoạt động ở chế độ không tải và hãy để nguội hoặc thay pin bị quá nhiệt
màu đỏ	Nhiệt độ hoạt động của pin hoặc của dụng cụ điện bị vượt quá, dụng cụ điện được tắt để bảo vệ	Hãy để nguội dụng cụ điện hoặc thay pin bị quá nhiệt

Hiển thị trạng thái dụng cụ điện (27)	Ý nghĩa/Nguyên nhân	Cách khắc phục
màu xanh lá	Trạng thái OK	–

Hiển thị trạng thái dụng cụ điện (27)	Ý nghĩa/Nguyên nhân	Cách khắc phục
vàng	Đạt nhiệt độ tới hạn hoặc ắc quy gần cạn	Không cho dụng cụ điện hoạt động ở chế độ không tải và hãy để nguội, thay hoặc sạc ắc quy sớm
màu đỏ	Dụng cụ điện bị quá nhiệt hoặc ắc quy cạn	Đề nguội dụng cụ điện, thay hoặc sạc ắc quy
màu đỏ	Nút khóa giữ trong chế độ vận hành "Khoan búa" được nhấn	Bấm nút khóa giữ một lần nữa
	Công tắc kết hợp được nhấn trong khi vận hành	Tắt dụng cụ điện và bật lại
	Động cơ bị chặn, pin yếu	Sạc pin hoặc sử dụng kiểu pin được khuyến nghị
	Lỗi chung	– Tắt dụng cụ điện và bật lại hoặc tháo pin và lắp lại Nếu vẫn xuất hiện lỗi: – Hãy gửi dụng cụ điện tới bộ phận dịch vụ khách hàng
nhấp nháy đỏ – kết hợp với hiển thị chế độ ngắt nhanh (24)	Chế độ ngắt nhanh được kích hoạt	Tắt dụng cụ điện và bật lại
nháy xanh dương	Dụng cụ điện được kết nối với thiết bị đầu cuối di động hoặc các cài đặt được truyền đi	–

Hiển thị trạng thái Smartphone (28)	Ý nghĩa/Nguyên nhân	Cách khắc phục
màu xanh lá	Có các thông tin bổ sung (ví dụ các thông tin thương mại)	Hãy đọc thông báo trên Smartphone nếu quan tâm
vàng	Có các thông tin quan trọng (ví dụ cảnh báo nhiệt độ)	Hãy đọc thông báo trên Smartphone
màu đỏ	Các thông tin quan trọng về vận hành có sẵn (ví dụ dừng động cơ do lỗi Cụm điều khiển micro)	Hãy đọc thông báo trên Smartphone ngay lập tức

Chọn chế độ làm việc

- Hãy nhấn nút (26) liên tục để chọn chế độ làm việc cho đến khi chế độ làm việc do bạn mong muốn bật sáng.

Lưu ý: Trong chế độ làm việc **Favorite** các chức năng được cấu hình bằng ứng dụng Smartphone, trong các chế độ làm việc **Auto** và **Soft** các chức năng được thiết lập trước.

Hiển thị chế độ làm việc Chức năng (25)

Auto chiếu sáng	<p>Trong chế độ làm việc Auto dụng cụ điện đạt được công suất tối đa.</p> <ul style="list-style-type: none"> – Chế độ vận hành "Khoan búa": tăng nhanh tốc độ khoan có điều khiển đến 100 % tốc độ tối đa – Chế độ vận hành "Đục": Điều khiển tốc độ bằng điện (Adaptive Speed Control) – Chế độ ngắt nhanh (Kickback Control)
Soft chiếu sáng	<p>Chế độ làm việc Soft được sử dụng để xử lý các vật liệu nhạy.</p> <ul style="list-style-type: none"> – Chế độ vận hành "Khoan búa": EPC hoạt động, tăng chậm tốc độ khoan êm đến 80 % tốc độ tối đa để khoan búa trên những bề mặt nhạy – Chế độ vận hành "Đục": Điều khiển tốc độ bằng điện (Adaptive Speed Control) được thiết lập nhạy hơn

Hiển thị chế độ làm việc Chức năng (25)

- Chế độ ngắt nhanh (Kickback Control) còn được thiết lập nhạy hơn

Favorite chiếu sáng

Trong chế độ làm việc **Favorite** dụng cụ điện có thể được cấu hình riêng bằng ứng dụng Smartphone.

- Chế độ vận hành "Khoan búa" có thể lập cấu hình ở nhiều cấp độ: Công suất qua số vòng quay Electronic Precision Control (EPC) qua tốc độ khởi động
- Chế độ vận hành "Đục": Điều khiển tốc độ bằng điện (Adaptive Speed Control) có thể bật và tắt được
- Độ nhạy của chế độ ngắt nhanh (Kickback Control) có thể được cấu hình đến khi tắt

Các chức năng kết nối

Các chức năng kết nối sau đây của dụng cụ điện sẽ khả dụng khi kết hợp với **Bluetooth® Low Energy Module GCY 42**:

- Đăng ký và cá nhân hóa
- Kiểm tra trạng thái, phát các thông báo cảnh báo
- Các thông tin và cài đặt chung
- Quản lý

Để biết thông tin về **Bluetooth® Low Energy Module GCY 42**, hãy đọc hướng dẫn vận hành đi kèm.

Hiển thị Smartphone (28) sáng lên, nếu dụng cụ điện gửi thông tin (ví dụ cảnh báo nhiệt độ) đến một thiết bị đầu cuối di động bằng công nghệ sóng vô tuyến **Bluetooth®**.


Hướng Dẫn Sử Dụng

- ▶ **Dụng cụ điện có Bluetooth® Low Energy Module GCY 42 được trang bị một giao diện sóng vô tuyến. Hãy chú ý các giới hạn địa điểm hoạt động ví dụ như trên máy bay hoặc bệnh viện.**
- ▶ **Trong các vùng, mà công nghệ sóng vô tuyến Bluetooth® không được phép sử dụng, phải tháo Bluetooth® Low Energy Module GCY 42 và pin nút áo.**

Hướng dẫn: Nắp che (13) chỉ có thể được đóng an toàn, nếu **Bluetooth® Low Energy Module GCY 42** và pin cúc áo ở trong dụng cụ điện.

- Để **hủy kích hoạt Bluetooth® Low Energy Module GCY 42** hãy vận pin cúc áo hoặc đặt lớp cách điện giữa pin cúc áo và **Bluetooth® Low Energy Module GCY 42**.
- Hãy đóng nắp che (13), để không cho bụi bẩn xâm nhập.

Bộ phận giảm chấn

 Bộ phận giảm chấn tích hợp sẽ giảm các rung động xuất hiện.

- ▶ **Không được tiếp tục sử dụng dụng cụ điện khi bộ phận giảm chấn đã bị hỏng.**

Các Khuyến Nghị về Cách Bảo Dưỡng Tốt Nhất cho Pin

Bảo vệ pin hợp khối tránh sự ẩm ướt và nước.

Chỉ bảo quản pin trong tầm nhiệt độ nằm giữa $-20\text{ }^{\circ}\text{C}$ và $50\text{ }^{\circ}\text{C}$. Không để pin trong ô tô vào mùa hè.

Thỉnh thoảng làm sạch các khe thông gió của pin bằng cách dùng một cái cọ khô, mềm và sạch.

Sự giảm sút đáng kể thời gian hoạt động sau khi nạp điện chỉ rõ rằng pin hợp khối đã hết công dụng và phải được thay.

Quy trình hoạt động được chia ra làm hai giai đoạn.

Bảo Dưỡng và Bảo Quản

Bảo Dưỡng Và Làm Sạch

- ▶ **Trước khi tiến hành bất cứ công việc gì với máy (ví dụ bảo dưỡng, thay dụng cụ v.v..) cũng như khi vận chuyển hay lưu kho, tháo pin ra khỏi dụng cụ điện. Có nguy cơ gây thương tích khi vô tình làm kích hoạt công tắc Tắt/Mở.**
- ▶ **Để được an toàn và máy hoạt động đúng chức năng, luôn luôn giữ máy và các khe thông gió được sạch.**
- ▶ **Thay chụp ngăn bụi bị hỏng ngay lập tức. Chúng tôi khuyến nghị việc thay thế này do một đại lý phục vụ hậu mãi thực hiện.**
 - Hãy làm sạch phần lắp dụng cụ (3) sau khi dùng.
 - Hãy làm sạch phần lắp dụng cụ sau khi dùng.

Dịch vụ hỗ trợ khách hàng và tư vấn sử dụng

Bộ phận phục vụ hàng sau khi bán của chúng tôi trả lời các câu hỏi liên quan đến việc bảo dưỡng và sửa chữa các sản phẩm cũng như phụ tùng thay thế của bạn. Sơ đồ mô tả và thông tin về phụ tùng thay thế cũng có thể tra cứu theo dưới đây:

www.bosch-pt.com

Đội ngũ tư vấn sử dụng của Bosch sẽ giúp bạn giải đáp các thắc mắc về sản phẩm và phụ kiện.

Trong tất cả các phản hồi và đơn đặt phụ tùng, xin vui lòng luôn luôn nhập số hàng hóa 10 chữ số theo nhãn của hàng hóa.

Việt Nam

CN CÔNG TY TNHH BOSCH VIỆT NAM TẠI
TP.HCM
Tầng 14, Ngôi Nhà Đức, 33 Lê Duẩn
Phường Bến Nghé, Quận 1, Thành Phố Hồ Chí Minh
Tel.: (028) 6258 3690
Fax: (028) 6258 3692 - 6258 3694
Hotline: (028) 6250 8555
Email: tuvankhachhang-pt@vn.bosch.com
www.bosch-pt.com.vn
www.baohanhbosch-pt.com.vn

Campuchia

Công ty TNHH Robert Bosch (Campuchia)
Đơn nguyên 8BC, GT Tower, Tầng 08, Đường 169,
Tiệp Khắc Blvd, Sangkat Veal Vong,
Khan 7 Makara, Phnom Penh
VAT TIN: 100 169 511
Tel.: +855 23 900 685
Tel.: +855 23 900 660
www.bosch.com.kh

Vận chuyển

Pin có chứa Li-Ion là đối tượng phải tuân theo các qui định của Pháp Luật về Hàng Hóa Nguy Hiểm. Người sử dụng có thể vận chuyển pin hợp khối bằng đường bộ mà không cần thêm yêu cầu nào khác.

Khi được vận chuyển thông qua bên thứ ba (vd. vận chuyển bằng đường hàng không hay đại lý giao nhận), phải tuân theo các yêu cầu đặc biệt về đóng gói và dán nhãn. Phải tham vấn chuyên gia về hàng hóa nguy hiểm khi chuẩn bị gói hàng.

Chỉ gửi pin hợp khối khi vỏ ngoài không bị hư hỏng. Dán băng keo hay che kín các điểm tiếp xúc hở và đóng gói pin hợp khối theo cách sao cho pin không thể xê dịch khi nằm trong bao bì. Ngoài ra, xin vui lòng chấp hành các qui định chi tiết có thể được bổ sung thêm của quốc gia.

Sự thải bỏ



Dụng cụ điện, pin, phụ kiện và bao bì cần được tái sử dụng theo quy định về môi trường.



Bạn không được ném dụng cụ điện và pin vào thùng rác gia đình!

Pin/ắc quy:

Li-Ion:

Tuân thủ những hướng dẫn trong phần vận chuyển (xem „Vận chuyển“, Trang 104).

عربي

إرشادات الأمان

تحذيرات أمان عامة للعدد الكهربائي

تحذير اقرأ جميع تحذيرات الأمان والتعليمات. عدم مراعاة

تحذيرات الأمان وعدم اتباع التعليمات قد يؤدي إلى الصدمات الكهربائية و/أو نشوب حرائق و/أو الإصابة بجروح خطيرة.

احتفظ بجميع تحذيرات الأمان والتعليمات للرجوع إليها فيما بعد.

يقصد بمصطلح «العدد الكهربائي» المستخدم في تحذيرات الأمان، العدد الكهربائي الموصلة بالشبكة الكهربائية (بواسطة كابل الشبكة الكهربائية) وأيضا العدد الكهربائي المشغلة بمركم (دون كابل الشبكة الكهربائية).

الأمان بمكان العمل

احرص على أن يكون مكان العمل نظيفا ومضاء بشكل جيد. الفوضى في مكان العمل ونطاقات العمل غير المضاءة قد تؤدي إلى وقوع الحوادث.

لا تشغل العدد الكهربائي في أجواء معرضة لخطر الانفجار، مثل الأماكن التي تتوفر فيها السوائل أو الغازات أو الأغبرة القابلة للاشتعال. العدد الكهربائي تولد شرراً قد يتسبب في إشعال الأغبرة والأبخرة.

احرص على بقاء الأطفال وغيرهم من الأشخاص بعيدا عند تشغيل العدد الكهربائي. تشتيت الانتباه قد يتسبب في فقدان السيطرة على الجهاز.

الأمان الكهربائي

يجب أن تكون قوابس العدد الكهربائي متلائمة مع المقابس. لا يجوز تعديل القابس بأي صورة من الصور. لا تستعمل القوابس المهيأة مع العدد الكهربائي المؤرصة (ذات طرف أرضي). تقلل القوابس التي لم يتم تعديلها والمقابس المتلائمة من خطر الصدمات الكهربائية.

تجنب ملامسة جسمك للأسطح المؤرصة كالأنابيب والمبردات والمواقد أو الثلجات. يزداد خطر الصدمات الكهربائية عندما يكون جسمك مؤرض أو موصل بالأرضي.

أبعد العدد الكهربائي عن الأمطار أو الرطوبة. يزداد خطر الصدمات الكهربائية إن تسرب الماء إلى داخل العدد الكهربائي.

لا تسئ استعمال الكابل. لا تستخدم الكابل في حمل العدد الكهربائي أو سحبها أو سحب القابس من المقبس. احرص على إبعاد الكابل عن الحرارة والزيت والحواف الحادة أو الأجزاء المتحركة. تزيد الكابلات التالفة أو المتشابكة من خطر الصدمات الكهربائية.

عند استخدام العدد الكهربائي خارج المنزل اقتصر على استخدام كابلات التمديد الصالحة للاستعمال في الأماكن المكشوفة. يقلل

استعمال كابل تمديد مخصص للاستعمال في الأماكن المكشوفة من خطر الصدمات الكهربائية.

إن لم يكن بالإمكان تجنب تشغيل العدد الكهربائي في الأجواء الرطبة، فاستخدم مفتاح للوقاية من التيار المتخلف. إن استخدام مفتاح للوقاية من التيار المتخلف يقلل خطر الصدمات الكهربائية.

أمان الأشخاص

كن يقظا وانتبه إلى ما تفعله واستخدم العدد الكهربائي بتعقل. لا تستخدم عدة كهربائية عندما تكون متعبا أو عندما تكون تحت تأثير المخدرات أو الكحول أو الأدوية. عدم الانتباه للحظة واحدة عند استخدام العدد الكهربائي قد يؤدي إلى إصابات خطيرة.

قم بارتداء تجهيزات الحماية الشخصية. وارتد دائما نظارات واقية. إن ارتداء تجهيزات الحماية الشخصية، كقناع الوقاية من الغبار وأحذية الأمان الواقية من الانزلاق والوذو أو واقية الأذنين، حسب ظروف استعمال العدد الكهربائي، يقلل من خطر الإصابة بجروح.

تجنب التشغيل بشكل غير مقصود. تأكد من كون العدد الكهربائي مطفأة قبل توصيلها بالتيار الكهربائي و/أو بالمركم، وقبل رفعها أو حملها. إن كنت تضع إصبعك على المفتاح أثناء حمل العدد الكهربائي أو إن وصلت الجهاز بالشبكة الكهربائية بينما المفتاح على وضع التشغيل، فقد يؤدي هذا إلى وقوع الحوادث.

انزع أي أداة ضبط أو مفتاح ربط قبل تشغيل العدد الكهربائي. قد يؤدي ترك أداة أو مفتاح في جزء دوار من الجهاز إلى الإصابة بجروح.

تجنب أوضاع الجسم غير الطبيعية. قف بأمان وحافظ على توازنك دائما. سيسمح لك ذلك بالتمكك في الجهاز بشكل أفضل في المواقف غير المتوقعة.

قم بارتداء ثياب مناسبة. لا ترتد الثياب الفضفاضة أو الحلبي المتدلية. حافظ على إبقاء الشعر والثياب والقفازات على بعد عن أجزاء الجهاز المتحركة. قد تتشابك الثياب الفضفاضة والحلى والشعر الطويل بالأجزاء المتحركة.

في حالة التزود بتجهيزات شفط وتجميع الغبار، فتأكد من أنها موصلة ومستخدمة بشكل سليم. قد يقلل استخدام تجهيزات شفط الغبار من المخاطر الناتجة عن الغبار.

استخدام العدد الكهربائي والعناية بها

لا تفرط في تحميل الجهاز. استخدم لتنفيذ أشغالك العدد الكهربائي المخصصة لذلك. استخدام العدد الكهربائي الصحيحة سنجز العمل بصورة أفضل وأكثر أمانا بالمعدل الذي صممت من أجله.

لا تستخدم العدد الكهربائي إن كان مفتاح تشغيلها معطل. العدد الكهربائي التي لم يعد من الممكن التمكن بها عن طريق مفتاح التشغيل والإطفاء تعتبر خطيرة ويجب أن يتم إصلاحها.

افصل القابس من المقبس و/أو انزع المركم من العدد الكهربائي قبل إجراء أي أعمال الضبط على الجهاز وقبل استبدال التوابع أو قبل تخزين العدد الكهربائي. تقلل هذه

تحذيرات الأمان المتعلقة بالمطرقة

- ◀ **احرص على ارتداء واقيات للأذنين.** التعرض للضوضاء قد يتسبب في فقدان السمع.
- ◀ **استخدم المقبض (المقابض) الإضافية إذا كانت العدة مزودة بها.** فقدان السيطرة على المعدة قد يتسبب في حدوث إصابات.
- ◀ **أمسك العدة الكهربائية من أسطح المسك المعزولة عند القيام بأعمال قد يترتب عليها ملامسة ملحق القطع لأسلاك كهربائية غير ظاهرة.** ملامسة الملحق الفطوط الكهربائية قد تؤدي إلى اندلاع النار وإلى الصدمات الكهربائية. حدوث أضرار ببط الغاز قد يؤدي إلى حدوث انفجارات. اختراق خط الماء يتسبب في وقوع أضرار مادية.
- ◀ **استخدم أجهزة تنقيب ملائمة للعثور على خطوط الإمداد غير الظاهرة، أو استعن بشركة الإمداد المحلية.** ملامسة الفطوط الكهربائية قد تؤدي إلى اندلاع النار وإلى الصدمات الكهربائية. حدوث أضرار ببط الغاز قد يؤدي إلى حدوث انفجارات. اختراق خط الماء يتسبب في وقوع أضرار مادية.
- ◀ **انتظر إلى أن تتوقف العدة الكهربائية عن الحركة قبل أن تضعها جانباً.** قد تتكلم عدة التشغيل فتؤدي إلى فقدان السيطرة على العدة الكهربائية.
- ◀ **احرص على تأمين قطعة التشغيل.** قطعة التشغيل المثبتة بواسطة تجهيزه شد أو بواسطة الملزمة مثبتة بأمان أكبر مما لو تم الإمساك بها بواسطة يدك.
- ◀ **قد تنطلق أبخرة عند تلف المرمك واستخدامه بطريقة غير ملائمة.** يمكن أن يمتزق المرمك أو يتعرض للانفجار. أمن توفر الهواء النقي وراجع الطبيب إن شعرت بشكوى. قد تهيج هذه الأبخرة المجاري التنفسية.
- ◀ **لا تفتح المرمك.** يتشكل خطر تقصير الدائرة الكهربائية.
- ◀ **يمكن أن يتعرض المرمك لأضرار من خلال الأشياء المدببة مثل المسامير والمفكات أو من خلال تأثير القوى الخارجية.** وقد يؤدي هذا إلى تقصير الدائرة الكهربائية الداخلية واختراق المرمك أو خروج الأدخنة منه أو انفجاره وتعرضه لسخونة مفرطة.
- ◀ **اقتصر على استخدام المرمك في منتجات الجهة الصانعة.** يتم حماية المرمك من فرط التحميل الخطير بهذه الطريقة فقط دون غيرها.
- ◀ **احرص على حماية المرمك من الحرارة، بما ذلك التعرض لأشعة الشمس باستمرار ومن النار والاحتساخ والماء والرطوبة.** حيث ينشأ خطر الانفجار وخطر حدوث دائرة قصر.  
- ◀ **أمسك العدة الكهربائية جيداً بكلتا اليدين عند العمل، واحرص على أن تكون في وضعية ثابتة.** يتم توجيه العدة الكهربائية بأمان بواسطة اليدين الائنتيين.
- ◀ **احترس! عند استخدام العدة الكهربائية المزودة بتقنية Bluetooth® قد يتسبب هذا في حدوث تشويش على الأجهزة والأنظمة والطائرات والأجهزة الطبية الأخرى (على سبيل**

- الإجراءات وقائية من خطر تشغيل العدة الكهربائية بشكل غير مقصود.
- ◀ **احتفظ بالعدد الكهربائية التي لا يتم استخدامها بعيداً عن متناول الأطفال.** لا تسمح باستخدام العدة الكهربائية لمن لا خبرة له بها أو لمن لم يقرأ تلك التعليمات. العدد الكهربائية خطيرة إن تم استخدامها من قبل أشخاص دون خبرة.
- ◀ **احرص على صيانة العدد الكهربائية.** تأكد أن أجزاء الجهاز المتحركة مركبة بشكل سليم وغير مستعصبة المركة، وتفحص ما إن كانت هناك أجزاء مكسورة أو في حالة تؤثر على سلامة أداء العدة الكهربائية. ينبغي إصلاح هذه الأجزاء التالفة قبل إعادة التشغيل الجهاز. الكثير من الحوادث مصدرها العدد الكهربائية التي تتم صيانتها بشكل رديء.
- ◀ **احرص على إبقاء عدد القطع نظيفة وحادة.** إن عدد القطع ذات حواف القطع المادة التي تم صيانتها بعناية تتكلم بشكل أقل ويمكن توجيهها بشكل أسير.
- ◀ **استخدم العدد الكهربائية والتوايح وريش الشغل إلخ.** وفقاً لهذه التعليمات. تراعى أثناء ذلك ظروف الشغل والعمل المراد تنفيذه. استخدام العدد الكهربائية لغير الأعمال المخصصة لأجلها قد يؤدي إلى حدوث الحالات الخطيرة.
- ◀ **استخدام العدد المزودة بمرمك والعناية بها**
- ◀ **اشدن المراكم فقط في أجهزة الشدن التي أصوت الجهة الصانعة باستخدامها.** قد يتسبب جهاز الشدن المخصص لنوع معين من المراكم في خطر الحريق إن تم استخدامه مع نوع آخر من المراكم.
- ◀ **استخدم العدد الكهربائية فقط مع المراكم المصممة لهذا الغرض.** قد يؤدي استخدام المراكم الأخرى إلى إصابات وإلى خطر نشوب الحرائق.
- ◀ **حافظ على إبعاد المرمك الذي لا يتم استعماله عن القطع المعدنية مثل مشابك الورق وقطع النقود المعدنية والمفاتيح والمسامير واللواب أو غيرها من الأغراض المعدنية الصغيرة التي قد تتسبب في توصيل الملامسين ببعضهما البعض.** قد يؤدي تقصير الدارة الكهربائية بين ملامسي المرمك إلى الإصابة بحروق أو إلى اندلاع النار.
- ◀ **قد يتسرب السائل من المرمك في حالة سوء الاستعمال.** تجنب ملامسته. في حال ملامسته بشكل غير مقصود اشطف الجزء المصاب بالماء. إن وصل السائل إلى العينين، استشر الطبيب بالإضافة إلى ذلك. قد يؤدي سائل المرمك المتسرب إلى تهيج البشرة أو إلى الاحتراق.

الخدمة

- ◀ **احرص على إصلاح عدتك الكهربائية فقط بواسطة الفنيين المتخصصين وباستعمال قطع الغيار الأصلية فقط.** يضمن ذلك المحافظة على أمان الجهاز.

- (10) مقبض (مقبض مسك معزول)
 (11) مفتاح التشغيل والإطفاء
 (12) المرمك^(A)
 (13) غطاء الموديول Low Energy® Bluetooth Module GCY 42
 (14) مصباح العمل
 (15) زر ضبط محدد العمق
 (16) مقبض إضافي (سطح قبض معزول)
 (17) محدد العمق
 (18) زر فك إقفال المرمك^(A)
 (19) واجهة المستخدم
 (20) حاضن ظرف المثقاب
 (21) الحلية الأمامية لظرف المثقاب البديل سريع الشد
 (22) حلقة تثبيت ظرف المثقاب البديل سريع الشد
 (23) مبيّن حالة شحن المرمك (واجهة المستخدم)
 (24) مبيّن خاصية الإطفاء السريع (وظيفة Kickback Control) (واجهة المستخدم)
 (25) مبيّن أوضاع العمل (واجهة المستخدم)
 (26) زر اختيار وضع العمل (واجهة المستخدم)
 (27) مبيّن حالة العدة الكهربائية (واجهة المستخدم)
 (28) مبيّن الهاتف الذكي (واجهة المستخدم)
 (29) مبيّن درجة الحرارة (واجهة المستخدم)
 (A) لا يتضمن إطار التوريد الاعتيادي التوابع المصورة أو المشروحة. تجد التوابع الكاملة في برنامجنا للتوابع.

البيانات الفنية

مطرقة ثقّب بمرمك		رقم الصنف
GBH 18V-34 CF		3611 J140..
18	فلط=	الجهد الاسمي
750	واط	قدرة الدخل الاسمية
2900-0	min ⁻¹	عدد الطرقات ^(A)
5,8	جول	قوة الطرقة المفردة حسب EPTA-Procedure
		05:2016
عدد اللفات الاسمي		
500-0	دقيقة ⁻¹	- دوران يميني
500-0	دقيقة ⁻¹	- دوران يساري
SDS-plus		حاضن العدة
74	مم	قطر عنق محور الدوران
		قطر الثقّب الأقصى:
32	مم	- الفرسانة
82-40	مم	- الجدران (طربوش ثقّب مجوف)
13	مم	- فولاذ
40	مم	- خشب

المثال منظم ضربات القلب، السماعات الطبية). كما لا يمكن أيضا استبعاد حدوث أضرار للأشخاص أو الحيوانات المتواجدين في النطاق القريب. لا تستخدم العدة الكهربائية المزودة بتقنية Bluetooth® بالقرب من الأجهزة الطبية ومحطات التزود بالوقود ومصانع الكيماويات والمناطق التي يتهدهدها خطر الانفجار. لا تستخدم العدة الكهربائية المزودة بتقنية Bluetooth® في الطائرات. تجنب التشغيل لمدد طويلة على مسافة قريبة من الجسم.

اسم ماركة Bluetooth® وشعاراتها هي علامات تجارية مسجلة، وهي ملك لشركة Bluetooth SIG, Inc. أي استخدام لاسم الماركة/شعارها من قبل شركة Robert Bosch Power Tools GmbH يتم من خلال ترخيص.

وصف المنتج والأداء

اقرأ جميع إرشادات الأمان والتعليمات. ارتكاب الأخطاء عند تطبيق إرشادات الأمان والتعليمات، قد يؤدي إلى حدوث صدمات الكهربائية أو إلى نشوب الحرائق و/أو الإصابة بجروح خطيرة.



يرجى الرجوع إلى الصور الموجودة في الجزء الأول من دليل التشغيل.

الاستعمال المخصص

العدة الكهربائية مخصصة للثقب المرفق بالطرق في الخرسانة والطوب والحجر وأيضا لإجراء أعمال النحت الخفيفة ومتوسطة الشدة. العدد الكهربائية المزودة بخاصية إيقاف الدق أو ظرف ريش الثقّب للقم الثقّب مستديرة الساق صالحة للثقب بلا دق في الخشب والمعادن والخزف والبلاستيك.

يمكن نقل البيانات والإعدادات الخاصة بالعدة الكهربائية عندما يكون الموديول Low Energy® Bluetooth مستخدما وذلك عن طريق تقنية Bluetooth® اللاسلكية ويتم النقل بين العدة الكهربائية والجهاز الجوال.

الأجزاء المصورة

يشير ترقيم الأجزاء المصورة إلى رسوم العدة الكهربائية الموجودة في صفحة الرسوم التخطيطية.

- (1) ظرف المثقاب البديل سريع الشد مع مفتاح إيقاف الدق المدمج
 (2) ظرف المثقاب البديل SDS-plus
 (3) حاضن العدة SDS-plus
 (4) غطاء الوقاية من الغبار
 (5) حلية إقفال
 (6) حلقة إقفال ظرف المثقاب البديل
 (7) مفتاح مشترك لأنواع التشغيل ودوران اليمين/دوران اليسار
 (8) كاتم الاهتزازات
 (9) زر تثبيت مفتاح التشغيل والإطفاء

المركم في تجهيزه الشحن بشكل كامل قبل الاستعمال لأول مرة.

يمكن أن يتم شحن مركم أيونات الليثيوم في أي وقت، دون أن يقلل ذلك من فترة صلاحيته. لا يتسبب قطع عملية الشحن في الإضرار بالمركم.

لقد تم وقاية مركم أيونات الليثيوم من التفرغ الشديد بواسطة واقية الخلايا الإلكترونية، "Electronic Cell Protection (ECP)". يتم إطفاء العدة الكهربائية بواسطة قارئة وقائية عندما يفرغ المركم؛ لن تتحرك عدة الشغل عندئذ.

◀ لا تتابع الضغط على مفتاح التشغيل والإطفاء بعد انطفاء العدة الكهربائية بشكل آلي. فقد يتلف المركم.

تراجع الملاحظات بصدد التخلص من العدد.

نوع المركم

يمتاز المركم (12) بدرجتي إقفال اثنتين، تمنعان سقوط المركم للخارج في حال ضغط زر فك إقفال المركم بشكل غير مقصود (18). يتم تثبيت المركم بواسطة نابض مادام مركبا في العدة الكهربائية.

- لخلع المركم (12) اضغط على زر فك الإقفال (18) واجذب المركم من العدة الكهربائية من الجانب. لا تستخدم القوة أثناء ذلك.

مبين حالة شحن المركم

تشير مصابيح الدايدود الخضراء الخاصة بمبين حالة شحن المركم لحالة شحن المركم. لأسباب تتعلق بالسلامة فإنه لا يمكن الاستعلاء عن حالة الشحن إلا والعدة الكهربائية متوقفة.

اضغط على زر مبين حالة الشحن ☺ أو ☹ لعرض حالة الشحن. يمكن هذا أيضا والمركم مخرج.

إذا لم يضيء أي مصباح دايدود بعد الضغط على زر مبين حالة الشحن، فهذا يعني أن المركم تلف ويجب تغييره.

إرشاد: تتم الإشارة إلى حالة شحن المركم في واجهة المستخدم (19) أيضا مبيّنات الحالة.

نوع المركم GBA 18V...



السعة	مصابيح الدايدود
60-100 %	ضوء مستمر ×3 أخضر
30-60 %	ضوء مستمر ×2 أخضر
5-30 %	ضوء مستمر ×1 أخضر
0-5 %	الإضاءة الومضة ×1 أخضر

نوع المركم ProCORE18V...



السعة	مصابيح الدايدود
80-100 %	ضوء مستمر ×5 أخضر
60-80 %	ضوء مستمر ×4 أخضر
40-60 %	ضوء مستمر ×3 أخضر

مطرقة ثقّب بمركم GBH 18V-34 CF

الوزن حسب EPTA- ^(A) Procedure 01:2014	كجم	6,3-5,2
الطول	مم	430
الارتفاع	مم	250
درجة الحرارة المحيطة الموصى بها عند الشحن	°م	0...+35
درجة الحرارة المحيطة المسموح به عند التشغيل ^(B) وعند التخزين	°م	50+...20-
المركم المتوافقة		GBA 18V... ProCORE18V...
المركم الموصى بها للقدرة الكاملة		ProCORE18V... 5,5 ≤ أمبير ساعة
أجهزة الشحن الموصى بها		GAL 18... GAX 18V... GAL 36...

نقل البيانات

*Bluetooth		4.2 *Bluetooth ^(C) (Low Energy)
مسافة الإشارة	ثانية	8
أقصى مدى للإشارة ^(D)	متر	30

(A) حسب المركم المستخدم

(B) قدرة محدودة في درجات الحرارة > 0° م

(C) يجب أن يكون الجهاز الموالم متوافق مع الأجهزة منخفضة الطاقة Low-Energy (الإصدار 4.2) وبدعم وضع الوصول العام (GAP).

(D) قد يختلف مدى الإرسال بدرجة كبيرة تبعاً للظروف الخارجية، بما في ذلك جهاز الاستقبال المستخدم. داخل الأماكن المغلقة ومن خلال المواجه المعدنية (على سبيل المثال الجدران والأرفف والحقائب وما شابه) قد ينخفض مدى إرسال Bluetooth بشكل كبير.

التركيب

◀ قبل إجراء أي أعمال على العدة الكهربائية (مثل الصيانة، تغيير الأدوات وما شابه) وعند النقل والتخزين اضغط على زر التثبيت لتثبيت زر التشغيل والإطفاء. هناك خطر إصابة بجروح عند الضغط على مفتاح التشغيل والإطفاء بشكل غير مقصود.

استخدام الموديول Bluetooth® Low Energy Module GCY 42

للمعلومات حول الموديول Bluetooth® Low Energy Module GCY 42 اقرأ دليل الاستعمال المعني.

شحن المركم

◀ اقتصر على استخدام أجهزة الشحن المذكورة في المواصفات الفنية. أجهزة الشحن هذه دون غيرها هي المتوائمة مع مركم أيونات الليثيوم المستخدم في عددك الكهربائية.

ملحوظة: يتم تسليم المركم وهو بحالة شحن جزئي. لضمان قدرة أداء المركم الكاملة، يتوجب شحن

تركيب ظرف المثقاب البديل (انظر الصورة D)

- نظف ظرف المثقاب البديل قبل تركيبه وشحم طرف الإدخال قليلاً.
- اقبض على ظرف المثقاب البديل SDS-plus (2) أو على ظرف المثقاب البديل السريع الشد (1) بتطويفه بكامل اليد. ادفع طرف المثقاب البديل على حاضن ظرف المثقاب (20)، أثناء إدارته، إلى أن تسمع صوت التعاشق بوضوح.
- يقفل ظرف المثقاب البديل من تلقاء نفسه.
- تفحص ثبات الإقفال من خلال سحب ظرف المثقاب البديل.

استبدال العدد

- يعمل غطاء الوقاية من الغبار (4) على منع دخول غبار الثقب إلى حاضن العدة أثناء الاستخدام. احرص أثناء استخدام العدة الكهربائية على عدم حدوث أضرار بغطاء الوقاية من الغبار (4).
- ◀ **يجب تغيير غطاء الوقاية من الغبار التالف على الفور. وينصح أن يتم ذلك من قبل مركز خدمة العملاء.**

استبدال العدد (SDS-plus)**تركيب عدة الشغل SDS-plus (انظر الصورة E)**

- مع ظرف ريش الثقب SDS-plus يمكنك تغيير عدة الشغل بكل سهولة وراحة دون استخدام عدد إضافية.
- قم بتركيب ظرف المثقاب البديل SDS-plus (2).
- نظف طرف الإدخال بعدة الشغل وشحمه قليلاً.
- قم بتركيب عدة الشغل في حاضن العدة أثناء إدارته إلى أن تتعاشق من تلقاء نفسها.
- افحص ثبات الإقفال من خلال جذب العدة.
- تكون عدة الشغل SDS-plus حرة الحركة وفقاً لتصميم النظام. مما يؤدي إلى انحراف دوراني عند التشغيل بلا حمل. لا يؤثر ذلك على دقة الثقب، لأن لقمة الثقب ترتكز من تلقاء نفسها أثناء الثقب.

فك عدة الشغل SDS-plus (انظر الصورة F)

- ادفع لبيسة الإقفال (5) إلى الخلف وانزع عدة الشغل.

استبدال العدد (دون SDS-plus)**تركيب عدة الشغل (انظر الصورة G)**

- **إرشاد:** لا تستخدم عدد الشغل دون SDS-plus في أعمال التنقيب المرفق بالطرق أو النحت. ستعرض كل من العدد دون خاصية SDS-plus وظرف ريش الثقب الخاص بها لأضرار أثناء الثقب المرفق بالطرق أو النحت.

- قم بتركيب ظرف المثقاب البديل السريع الشد (1) مع مفتاح إيقاف الدق المدمج.

- **إرشاد:** اقتصر على استخدام ظرف المثقاب البديل السريع الشد المخصص للمنتج GBH 18V-34 CF مع مفتاح إيقاف الدق المدمج. مع ظرف ريش الثقب فقط يتم ضمان عدم قيام وحدة الطرق العاملة بالهواء المضغوط للمطرقة الدورانية بإلحاق الإضرار بعدة الشغل.

مصايح الدايدو السعة

السعة	مصابيح الدايدو
20-40 %	ضوء مستمر ×2 أخضر
5-20 %	ضوء مستمر ×1 أخضر
0-5 %	الإضاءة الومضة ×1 أخضر

مقبض إضافي**◀ استخدم العدة الكهربائية فقط مع المقبض الإضافي (16).****تحريك المقبض الإضافي (انظر الصورة A)**

- يمكنك تحريك المقبض الإضافي (16) كما تريد للوصول إلى وضع عمل آمن ومريح.
- أدر قطعة المقبض السفلية بالمقبض الإضافي (16) عكس اتجاه عقارب الساعة وحرك المقبض الإضافي (16) إلى الوضع المرغوب. أدر قطعة المقبض السفلية بالمقبض الإضافي (16) بعد ذلك في اتجاه حركة عقارب الساعة بإحكام.
- انتبه إلى دخول سير شد المقبض الإضافي في الحز المخصص له بالهيكل.

ضبط عمق الثقب (انظر الصورة B)

- باستخدام محدد العمق (17) يمكن تحديد عمق الثقب المرغوب X.
- اضغط على الزر الخاص بضبط محدد العمق (15) وقم بتركيب محدد العمق في المقبض الإضافي (16).
- يجب أن تشير الحزوز على محدد العمق (17) إلى الأسفل.
- حرك عدة الشغل SDS-plus حتى النهاية في حاضن العدة (3SDS-plus). قد تؤدي سهولة حركة عدة الشغل SDS-plus إلى ضبط خاطئ لعمق الثقب.
- أخرج محدد العمق بحيث تكون المسافة بين رأس ريشة الثقب وطرف محدد العمق مطابقة للعمق المرغوب X.

اختيار ظرف ريش الثقب والعدد

- لأعمال التنقيب المرفق بالطرق والنحت تحتاج إلى عدد SDS-plus التي يتم تركيب ظرف ريش الثقب فيها.

- من أجل الثقب دون دق في الخشب والمعادن والخزف واللدائن وأيضاً لربط اللوالب تستخدم العدد دون SDS-plus (مثلاً: لقم تنقيب بساق اسطوانية). بالنسبة لهذه العدد أنت بحاجة إلى ظرف ريش الثقب السريع الشد (1) مع مفتاح إيقاف الدق المدمج.
- **إرشاد:** باستخدام ظرف المثقاب البديل السريع الشد (1) مع مفتاح إيقاف الدق المدمج فقط يتم ضمان عدم تعرض العدد المركبة لأضرار.

نزع/تلقيم ظرف المثقاب البديل**خلع ظرف المثقاب البديل (انظر الصورة C)**

- اسحب حلقة إقفال ظرف المثقاب البديل (6) إلى الخلف، وأمسك بها في هذا الوضع وألخع ظرف المثقاب البديل (2SDS-plus) أو ظرف المثقاب البديل السريع الشد (1) بسحبه إلى الأمام.
- تراعى حماية ظرف المثقاب البديل من الاتساع بعد نزع.

- أدخل المرمك المشحون (12) في ملاسماش شمن - العلبة إلى أن يتم تأمين قفل المرمك.

ضبط نوع التشغيل (انظر الصورة 1)

يمكن عن طريق المفتاح المشترك (7) اختبار نوع تشغيل العدة الكهربائية.

إرشاد: قم بتغيير نوع التشغيل فقط عندما تكون العدة الكهربائية مطفاة. وإلا، فقد يتلف إتلاف العدة الكهربائية.

إرشاد: في حالة التحويل إلى نوع تشغيل آخر بينما مفتاح التشغيل والإطفاء مشغل يتم إطفاء العدة الكهربائية.

- لتغيير نوع التشغيل أدر المفتاح المشترك (7) إلى الوضع المرغوب إلى أن يثبت.

↑↑ **↓↓** وضع الثقب المرفق بالطرق في الفرسانة والحجر



GBH 18V-34 CF باستخدام ظرف المثقاب البديل سريع الشد (1): وضع الثقب دون دق في الخشب والمعادن والخزف واللداثن (دوران اليمين)

↑↑ **↓↓** وضع دوران اليسار لفك العدة الكهربائية من قطعة الشغل



↑↑ **↓↓** وضع Vario-Lock لضبط وضع النحت.



↑↑ **↓↓** وضع النحت



التشغيل والإيقاف

- عند اللزوم قم بحل زر التثبيت (9) الخاص بمفتاح التشغيل والإطفاء.

- لغرض تشغيل العدة الكهربائية، اضغط على مفتاح التشغيل والإطفاء (11).

يضيء المصباح عند الضغط على مفتاح التشغيل والإطفاء (11) بشكل جزئي أو كامل، مما يتيح إضاءة مكان الشغل إن كانت ظروف الإضاءة غير ملائمة.

- لغرض إطفاء العدة الكهربائية اترك مفتاح التشغيل والإطفاء (11).

ضبط عدد اللفات/عدد الطرقات

يمكنك أن تتحكم بعدد اللفات/عدد الطرقات بالعدة الكهربائية قيد التشغيل دون تدرج، حسب مدى الضغط على مفتاح التشغيل والإطفاء (11).

يؤدي الضغط الخفيف على مفتاح التشغيل والإطفاء (11) إلى عدد لفات/طرقات منخفض. ويرتفع عدد اللفات/الطرقات بزيادة الضغط.

يمكنك التحكم في عدد لفات أيضا من خلال واجهة المستخدم أو تطبيق الهاتف الذكي (انظر، اختصار وضع العمل، الصفحة 112).

- أمسك بحلقة قبض (22) ظرف المثقاب البديل سريع الشد بإحكام. افتح حاضن العدة من خلال إدارة الجلبة الأمامية (21) إلى الحد الذي يسمح بتركيب العدة. أمسك بحلقة القبض (22) بإحكام وأدر الجلبة الأمامية (21) بقوة باتجاه السهم، إلى أن تسمع صوت القابض الكلاي بوضوح.

- تفحص إحكام الثبات من خلال سحب العدة.

ملحوظة: إن تم فتح حاضن العدة حتى النهاية، فقد تسمع صوت تعاقب القابض الكلاي أثناء تدوير حاضن العدة لإغلاقه ولن يخلق حاضن العدة.

في هذه الحالة أدر الجلبة الأمامية (21) مرة واحدة بعكس اتجاه السهم. يمكن إغلاق حاضن العدة بعد ذلك.

- أدر المفتاح المشترك (7) إلى وضع «الثقب».

فك عدة الشغل (انظر الصورة H)

- أمسك بحلقة قبض (22) ظرف المثقاب البديل سريع الشد بإحكام. افتح حاضن العدة من خلال إدارة الجلبة الأمامية (21) باتجاه السهم، إلى الحد الذي يسمح بخلع العدة.

شفط الغبار/النشارة

إن غبار بعض المواد كالطلاء الذي يحتوي على الرصاص، وبعض أنواع الخشب والفلزات والمعادن، قد تكون مضرّة بالصحة. إن ملامسة أو استنشاق غبار قد يؤدي إلى أعراض حساسية و/أو إلى أمراض الجهاز التنفسي لدى المستخدم أو لدى الأشخاص المتواجدين على مقربة من المكان.

تعتبر بعض الأغبرة المعينة، كأغبرة البلوط والزان، مسببة للسرطان، ولا سيما عند الارتباط بالمواد الإضافية لمعالجة الخشب (ملح جامض الكروميك، المواد الحافظة للخشب). يجوز أن يتم معالجة المواد التي تحتوي على الأسبستوس من قبل العمال المتخصصين فقط دون غيرهم.

- استخدم شافطة غبار ملائمة للمادة قدر الإمكان.

- حافظ على تهوية مكان الشغل بشكل جيد.

- ينصح بارتداء قناع وقاية للتنفس بفتحة المرشح P2. تراعى الأحكام السارية في بلدكم بالنسبة للمواد المرغوب معالجتها.

⚠ تجنب تراكم الغبار بمكان العمل. يجوز أن تشتعل الأغبرة بسهولة.

التشغيل

بدء التشغيل

⚠ احرص على أن يكون الغطاء (13) الفاص بالموديل Bluetooth® Low Energy Module GCY 42 مغلق أثناء التشغيل. وبذلك تتجنب دخول الغبار.

تركيب المرمك

⚠ استخدم فقط مراكم إيونات ليثيوم Bosch الأصلية بالجهد المذكور على لافتة طراز عدتك الكهربائية. قد يؤدي استخدام المراكم الأخرى إلى الإصابات وإلى خطر نشوب الحرائق.

- اضغط على زر التثبيت (9) لتأمين العدة الكهربائية ضد التشغيل غير المقصود.

خاصية الإطفاء السريع (وظيفة Kickback Control)

تتيح خاصية الإطفاء السريع (Kickback Control) تمكماً أفضل في العدة الكهربائية وتزيد من درجة حماية المستخدم مقارنة بالعدد الكهربائي غير المزودة بوظيفة Kickback Control. في حالة الدوران المفاجئ وغير المتوقع للعدة الكهربائية حول محور الثقب تنطفئ العدة الكهربائية، ويضيء مبدئ خاصية الإطفاء السريع (24) ويومض ضوء العمل (14). في حالة تفعيل خاصية الإطفاء السريع يومض مبدئ الحالة (27) باللون الأحمر.

- لغرض إعادة التشغيل اترك مفتاح التشغيل والإطفاء (11) واضغط عليه مجدداً.



وظيفة التحكم الإلكتروني الدقيق (EPC)

تساعدك وظيفة EPC في الأعمال التي تتطلب الطرق، وذلك من خلال الارتفاع البطيء في سرعة الدوران وانخفاض عدد لفات العمل.

وظيفة التحكم الكهربائي في عدد اللفات (التحكم المتوائم في السرعة) في نوع التشغيل «النحت»

لتحكم أفضل وبدء عمل دقيق يبدأ تشغيل العدة الكهربائية بعدد لفات منخفض، ثم يرتفع ذلك العدد بسرعة إلى عدد اللفات الأقصى. يتم تفعيل وظيفة التحكم الكهربائي في عدد اللفات أوتوماتيكياً عند بدء العمل بالعدة الكهربائية.



واجهة المستخدم (انظر الصورة J)

تتلخص وظيفة واجهة المستخدم (19) في اختيار وضع التشغيل وبيان حالة العدة الكهربائية.

تغيير وضع الإزميل (إقفال - تغيير)

يمكنك تثبيت الإزميل في أوضاع 16. ويمكنك بذلك أن تتخذ وضعية الشغل الأنسب في كل حالة.

- ركب الإزميل في حاضن العدة.

- أدر المفتاح المشترك (7) إلى وضع Vario-، Lock (القفل المتغير).

- أدر عدة الشغل إلى وضع الإزميل المرغوب.

- أدر المفتاح المشترك (7) إلى وضع «النحت». يتم إقفال حاضن العدة بذلك.

النحت باستخدام وظيفة التثبيت

للقيام بالنحت لفترة طويلة دون الضغط على مفتاح التشغيل والإطفاء (11) بشكل مستمر قم بتثبيت مفتاح التشغيل والإطفاء على نوع التشغيل «النحت».

- لغرض التثبيت اضغط على مفتاح التشغيل والإطفاء (11) حتى النهاية، واضغط في نفس الوقت على زر التثبيت (9).

- للإطفاء اضغط على زر التثبيت (9) مجدداً.

إرشاد: في حالة التحويل إلى نوع تشغيل آخر بينما مفتاح التشغيل والإطفاء مشغل يتم إطفاء العدة الكهربائية.

قايض فرط التحميل

◀ تفصل قوة الدفع عن محور دوران المثقاب عندما تنقمت أو تتكبل عدة الشغل. أمسك العدة الكهربائية دائماً بكلتا اليدين بإحكام وقف بنيات بسبب القوى الناتجة عن ذلك.

◀ اطفئ العدة الكهربائية وقم بحل عدة الشغل عند انحصار العدة الكهربائية. تتشكل عزوم رد فعل عالية عند تشغيل عدة ثقب مستعصية.

مبيبات الحالة

الحل	المعنى/السبب	مبين حالة شحن المرمك (واجهة المستخدم) (23)
-	المرمك مشحون	أخضر (شرطتان إلى 5 شرطات)
قرب تغيير أو شحن المرمك	شحنة المرمك على وشك النفاد	باللون الأصفر (شرطة واحدة)
تغيير أو شحن المرمك	المرمك فارغ	أحمر (شرطة واحدة)
الحل	المعنى/السبب	مبين درجة الحرارة (29)
قم بتشغيل العدة الكهربائية على وضع دوران اللاممل واتركها حتى تبرد أو قم بتغيير المرمك الذي ارتفعت درجة حرارته بشكل مفرط	ارتفعت درجة حرارة تشغيل المرمك أو العدة الكهربائية بشكل واضح، ويتم تقليل القدرة	أصفر
اترك العدة الكهربائية حتى تبرد، وقم بتغيير المرمك التي ارتفعت درجة حرارتها بشكل مفرط	تم تجاوز درجة حرارة تشغيل المرمك أو العدة الكهربائية، تم إطفاء العدة الكهربائية لحمايتها	أحمر

الحل	المعنى/السبب	مبين حالة العدة الكهربائية (27)
-	الحالة على ما يرام	أخضر
قم بتشغيل العدة الكهربائية على وضع دوران اللاحمل، واتركها حتى تبرد أو قم بتبديل أو شحن المركم	تم الوصول إلى مستوى حرج لدرجة الحرارة أو شحن المركم على وشك النفاذ	أصفر
اترك العدة الكهربائية تبرد وقم بتغيير أو شحن المركم	العدة الكهربائية ساخنة للغاية أو المركم فارغ الشحن	أحمر
اضغط على زر التثبيت مجددا	تم الضغط على زر التثبيت في نوع التشغيل «الثقب المرفق بالطرق»	أحمر
قم بتشغيل العدة الكهربائية وأطفئها مرة أخرى	تم الضغط على المفتاح المشترك أثناء التشغيل	
اشحن المركم أو استخدم نوع المركم الموصى به	استعصاء المركم، المركم ضعيف للغاية	
- قم بإطفاء العدة الكهربائية وتشغيلها مرة أخرى، وعند اللزوم أخرج المركم وأعد تركيبه إذا استمر حدوث الخطأ: - قم بإرسال العدة الكهربائية لخدمة العملاء	خطأ عام	
قم بتشغيل العدة الكهربائية وأطفئها مرة أخرى	انطلقت خاصية الإطفاء السريع	يومض باللون الأحمر - بالاشتراك مع مبین خاصية الإطفاء السريع (24)
-	العدة الكهربائية متصلة بجهاز جوال أو يتم نقل الإعدادات	وميض باللون الأزرق

الحل	المعنى/السبب	مبين حالة الهاتف الذكي (28)
قراءة بلاغ على الهاتف الذكي عند الاهتمام	هناك معلومات إضافية متاحة (على سبيل المثال معلومات تجارية)	أخضر
قراءة بلاغ الهاتف الذكي	هناك معلومات هامة متاحة (على سبيل المثال، تحذير درجة الحرارة)	أصفر
قراءة بلاغ الهاتف الذكي فوراً	هناك معلومات هامة للتشغيل متاحة (على سبيل المثال، إيقاف المحرك بسبب خطأ في وحدة التحكم الدقيق)	أحمر

اختيار وضع العمل
- كرر الضغط على الزر (26) لاختيار وضع العمل، إلى أن يضيء وضع العمل المرغوب.

مبين وضع العمل (25) الوظائف	الوظائف
Auto يضيء	في وضع العمل Auto تصل العدة الكهربائية إلى القدرة القصوى. - نوع التشغيل "الثقب المرفق بالطرق": زيادة سريعة لعدد اللفات لبدء تثقيب محكوم إلى أن يتم الوصول إلى 100 % من عدد اللفات الأقصى - نوع التشغيل "النحت": وظيفة التحكم الكهربائي في عدد اللفات (Adaptive Speed Control) - خاصية الإطفاء السريع (وظيفة Kickback Control)
Soft يضيء	يتم استخدام وضع العمل Soft لمعالجة القامات الحساسة. - نوع التشغيل "الثقب المرفق بالطرق": وظيفة EPC فعالة، زيادة بطيئة لعدد اللفات لبدء تثقيب ناعم إلى أن يتم الوصول إلى 80 % من عدد اللفات الأقصى للثقب المرفق بالطرق في الأسطح الحساسة

مبين وضع العمل (25) الوظائف

- نوع التشغيل "النمت": وظيفة التحكم الكهربائي في عدد اللفات (التحكم المتوالم في السرعة) مضبوطة بشكل أكثر حساسية
- خاصية الإطفاء السريع (وظيفة Kickback Control) مضبوطة بشكل أكثر حساسية

في وضع العمل **Favorite** يمكن تهيئة العدة الكهربائية بشكل شخصي من خلال تطبيق الهاتف الذكي.

Favorite يعني

- نوع التشغيل "الثقب الطرقي" القابل للتهيئة على عدة درجات: القدرة من خلال عدد اللفات
- وظيفة التحكم الإلكتروني الدقيق (EPC): سرعة الدوران المرتفعة
- نوع التشغيل "النمت": وظيفة التحكم الكهربائي في عدد اللفات (التحكم المتوالم في السرعة) قابلة للتشغيل والإطفاء
- يمن تهيئة حساسية خاصة للإطفاء السريع (وظيفة Kickback Control) إلى أن يتم إطفائها

◀ لا تستمر باستعمال العدة الكهربائية في حال تلف عنصر كتم الاهتزازات.

ملاحظات للتعامل مع المرمك بطريقة مثالية

- قم بحماية المرمك من الرطوبة والماء.
- لا تقم بتخزين المرمك إلا في نطاق درجة حرارة يقع بين -20°م وحتى 50°م. لا تترك المرمك في السيارة في فصل الصيف مثلاً.
- نظف فتحات التهوية بالمرمك من فترة لأخرى، بواسطة فرشاة طرية ونظيفة وجافة.
- إذا انخفضت فترة التشغيل بعد الشحن بدرجة كبيرة فهذا يعني أن المرمك قد استهلك وأنه يجب استبداله.
- تراجع الإرشادات عند التخلص من العدد.

الصيانة والخدمة

الصيانة والتنظيف

- ◀ **انزع المرمك عن العدة الكهربائية قبل إجراء أي أعمال بالعدة الكهربائية (مثلاً: الصيانة، استبدال العدد وإلخ..)** وأيضاً عند نقلها أو تخزينها. هناك خطر إصابة بجروح عند الضغط على مفتاح التشغيل والإطفاء بشكل غير مقصود.
- ◀ **للعمل بشكل جيد وآمن حافظ دائماً على نظافة العدة الكهربائية وفتحات التهوية.**
- ◀ **يجب تغيير غطاء الوقاية من الغبار التالف على الفور. وينصح أن يتّم ذلك من قبل مركز خدمة العملاء.**
- قم بتنظيف حاضن العدة (3) بعد كل استخدام.
- قم بتنظيف حاضن العدة بعد كل استخدام.

خدمة العملاء واستشارات الاستخدام

- يجيب مركز خدمة العملاء على الأسئلة المتعلقة بإصلاح المنتج وصيانته، بالإضافة لقطع الغيار. تجد الرسوم التفصيلية والمعلومات الخاصة بقطع الغيار في الموقع: www.bosch-pt.com
- يسر فريق Bosch لاستشارات الاستخدام مساعدتك إذا كان لديك أي استفسارات بخصوص منتجاتنا وملحقاتها.

وظائف الربط

بالارتباط مع الموديول Low Energy Bluetooth® Module GCY 42 تتوافر وظائف الربط التالية للعدة الكهربائية:

- التسجيل والمواءمة مع المتطلبات الشخصية
- اختبار الحالة، إصدار بلاغات التحذير
- المعلومات العامة والإعدادات
- الإدارة

للمعلومات حول الموديول Low Bluetooth® Energy Module GCY 42 اقرأ دليل الاستعمال المعني.

يضيء مبين الهاتف الذكي (28) في حالة إرسال العدة الكهربائية لمعلومة (على سبيل المثال تحذير درجة الحرارة) بواسطة تقنية Bluetooth® اللاسلكية إلى جهاز جوال.

إرشادات العمل

- ◀ **العدة الكهربائية المزودة بموديول Low Energy Bluetooth® Module GCY 42 بها واجهة بنية لاسلكية. تراعى قيود التشغيل المحلية، على سبيل المثال في الطائرات أو المستشفيات.**

- ◀ **في النطاقات التي لا يجوز فيها استخدام تقنية Bluetooth® اللاسلكية يجب خلع الموديول Low Energy Bluetooth® Module GCY 42 والبطارية القرصية.**

إرشاد: لا يمكن غلق الغطاء (13) بشكل آمن إلى عند وجود الموديول Low Energy Bluetooth® Module GCY 42 والبطارية القرصية في العدة الكهربائية.

- لغرض إيقاف تفعيل الموديول Bluetooth® Low Energy Module GCY 42 أدر البطارية القرصية أو ضع عازلاً بين البطارية القرصية والموديول Low Energy Bluetooth® Module GCY 42.
- قم بغلق الغطاء (13) بحيث لا تدخل أي اتساخات.

كاتم الاهتزازات

يخفض كاتم الاهتزازات المركب الاهتزازات الناتجة.



الهاتف: 212 5 29 31 43 27
البريد الإلكتروني: sav.outillage@ma.bosch.com

عمان

ملتن للتجارة والمقاولات ش.م.م
صندوق بريد 131، روى، مسقط
الكود البريدي: 112، سلطنة عمان
هاتف: +968 2479 4035/4089/4901
جوال: +968-91315465
فاكس: +968 2479 4058
البريد الإلكتروني: sudhirkumar@malatan.net

قطر

الدولية لحلول البناء ش.م.م
صندوق بريد صندوق 51،
هاتف الدوحة: +974 40065458
فاكس: +974 4453 8585
بريد إلكتروني: csd@icsdoha.com

المملكة العربية السعودية

شركة الجفلي للمعدات الفنية (جيتكو)
صندوق بريد: 1049 - جدة 21431 - المملكة العربية
السعودية
جدة: 00966 (0) 12 692 0770 - داخلي 433
الرياض: 00966 (0) 11 409 3976 -
داخلي 30/34/39
الدمام: 00966 (0) 13 833 9565
البريد الإلكتروني: M.Zreik@eajb.com.sa

سوريا

مؤسسة دلال للمعدات الكهربائية
دمشق. شارع البرامكة - شارع بن عامر
هاتف: +963112241006 أو 009631122414009
الجوال: 00963991141005
البريد الإلكتروني: rita.dallal@hotmail.com

تونس

روبرت بوش تونس ش.ذ.م.م
7 زنقة ابن بطوطة Z.I. سان جوبان
مقرين رياض
2014 ابن عروس
هاتف: +216 71 427 496/879
فاكس: +216 71 428 621
بريد إلكتروني: sav.outillage@tn.bosch.com

الإمارات العربية المتحدة

المركزية للسيارات والمعدات،
صندوق بريد 26255، دبي
دبي: 00971 (0) 4 3090920/3090930
أبو ظبي: 00971 (0) 2 4017745
الشارقة: 00971 (0) 6 5932777
العين: 00971 (0) 3 7157419
البريد الإلكتروني:
Mallappa.Madari@centralmotors.ae

اليمن

مؤسسة أبو الرجال التجارية
صنعا، شارع الزبيرى. أمام مبنى البرلمان الجديد
هاتف: +967-1-202010
فاكس: +967-1-471917
بريد إلكتروني: tech-tools@abualrejal.com
yahya@abualrejal.com

يلزم ذكر رقم الصنف ذو الثانات العشر وفقاً للوحة
صنع المنتج عند إرسال أية استفسارات أو طلبات
قطع غيار.

الجزائر

سيستال
منطقة المدادين الصناعية
06000 بجاية
هاتف: +213 (0) 982 400 991/2
فاكس: +213 (0) 3 420 1569
بريد إلكتروني: sav@siestal-dz.com

البحرين

شركة الجفلي وإخوانه للمعدات الفنية.
مملكة البحرين، العكر - بلوك 0624 - شارع 2403 -
مبنى 0055D
الهاتف: +97317704537
فاكس: +973177045257
البريد الإلكتروني: h.berjas@eajb.com.sa

مصر

RBEG-LLC
22 كمال الدين حسين
شيراتون هليوبوليس
11799 القاهرة
البريد الإلكتروني:
boschegypt.powertools@eg.bosch.com

العراق

Sahba Technology Group
شارع مطار المثنى
بغداد
هاتف بغداد: +964 (0) 7 901 930366
هاتف دبي: +971 (0) 4 422 1898
البريد الإلكتروني: duraid@sahbatechnology.com

الأردن

شركة الجذور العربية Roots Arabia - الأردن
شارع الحرية، المقابيلين
عمان 11623، الأردن
صندوق بريد: 110068
هاتف: +962 6 4398990
البريد الإلكتروني: bosch@rootsjordan.com

الكويت

منطقة الشويخ الصناعية، مبنى 1، قطعة 16، شارع
رقم 3
صندوق بريد صندوق 164 - 13002 الصفاة
هاتف: 24810844
فاكس: 24810879
بريد إلكتروني: josephkr@aaalmutawa.com

لبنان

طحميني هنا وشركاه ش.ذ.م.م.
صندوق بريد صندوق 449-90
جديده
الدورة بيروت
هاتف: +9611255211
بريد إلكتروني: service-pt@tehini-hana.com

المغرب

Robert Bosch Morocco SARL
53، شارع الملازم محمد محرو
20300 الدار البيضاء

النقل

تخضع مراكم أيونات الليثيوم المركبة لأحكام قانون المواد الخطيرة. يسمح للمستخدم أن يقوم بنقل المراكم على الطرقات دون التقيد بأية شروط إضافية.

عندما يتم إرسالها عن طريق طرف آخر (مثلاً: الشحن الجوي أو شركة شحن)، يتوجب التقيد بشروط خاصة بصدد التغليف ووضع العلامات. ينبغي استشارة خبير متخصص بنقل المواد الخطيرة عندما يرغب بتحضير المركم المراد شحنه في هذه الحالة.

لا تقوم بشحن المراكم إلا إذا كان هيكلها الخارجي سليم. قم بتغطية الملامسات المكشوفة ن بلاصقات، و قم بتغليف المركم بحيث لا يتحرك في الطرد. يرجى أيضاً مراعاة التشريعات المحلية المتعلقة إن وجدت.

التخلص من العدة الكهربائية

يجب التخلص من العدة الكهربائية والمركم والتوابع والتغليف بطريقة صديقة للبيئة عن طريق النفايات القابلة لإعادة التصنيع.



لا تلق العدد الكهربائية والمراكم/البطاريات ضمن النفايات المنزلية!



المراكم/البطاريات:

مراكم أيونات الليثيوم:

يرجى مراعاة الإرشادات الواردة في جزء النقل (انظر „النقل“، الصفحة 115).

برای محیط باز، خطر برق گرفتگی را کاهش میدهند.

◀ در صورت لزوم به کار با ابزار برقی در محیط و اماکن مرطوب، باید از یک کلید حفاظتی جریان خطا و نشستی زمین (کلید قطع کننده اتصال با زمین) استفاده شود. استفاده از کلید حفاظتی جریان خطا و نشستی زمین خطر برق گرفتگی را کاهش میدهد.

رعایت ایمنی شخصی

◀ حواس خود را خوب جمع کنید، به کار خود دقت کنید و با فکر و هوشیاری کامل با ابزار برقی کار کنید. در صورت خستگی و یا در صورتی که از مواد مخدر، الکل و دارو استفاده کرده‌اید، با ابزار برقی کار نکنید. یک لحظه بی توجهی هنگام کار با ابزار برقی، میتواند جراحات های شدیدی به همراه داشته باشد.

◀ از تجهیزات ایمنی شخصی استفاده کنید. همواره از عینک ایمنی استفاده نمایید. استفاده از تجهیزات ایمنی مانند ماسک ایمنی، کفشهای ایمنی ضد لغزش، کلاه ایمنی و گوشی ایمنی متناسب با نوع کار، خطر مجروح شدن را کاهش میدهد.

◀ مواظب باشید که ابزار برقی بطور ناخواسته بکار نیفتد. قبل از وارد کردن دوشاخه دستگاه در پریز برق، اتصال آن به باتری و برداشتن یا حمل دستگاه، دقت کنید که ابزار برقی خاموش باشد. در صورتی که هنگام حمل دستگاه انگشت شما روی دکمه قطع و وصل باشد و یا دستگاه را در حالت روشن به برق بزنید، ممکن است سوانع کاری پیش آید.

◀ قبل از روشن کردن ابزار برقی، همه ابزارهای تنظیم کننده و آپارها را از روی دستگاه بردارید. ابزار و آپارهایی که روی بخشهای چرخنده دستگاه قرار دارند، میتوانند باعث ایجاد جراحات شوند.

◀ وضعیت بدن شما باید در حالت عادی قرار داشته باشد. برای کار جای مطمئنی برای خود انتخاب کرده و تعادل خود را همواره حفظ کنید. به این ترتیب میتوانید ابزار برقی را در وضعیتهای غیر منتظره بهتر تحت کنترل داشته باشید.

◀ لباس مناسب بپوشید. از پوشیدن لباسهای گشاد و حمل زینت آلات خودداری کنید. موها، لباس و دستکشها را از بخشهای در حال چرخش دستگاه دور نگه دارید. لباسهای گشاد، موی بلند و زینت آلات ممکن است در قسمت‌های در حال چرخش دستگاه گیر کنند.

◀ در صورتی که تجهیزاتی برای اتصال وسائل مکش گرد و غبار و یا وسیله جمع کننده گرد و غبار ارائه شده است، باید مطمئن شوید که این وسائل درست نصب و استفاده می شوند. استفاده از وسائل مکش گرد و غبار مصونیت شما را در برابر گرد و غبار زیاده تر میکند.

◀ استفاده صحیح از ابزار برقی و مراقبت از آن از وارد کردن فشار زیاد روی دستگاه خودداری کنید. برای هر کاری، از ابزار برقی مناسب با آن استفاده کنید. بکار گرفتن ابزار

فارسی

دستورات ایمنی

هشدارهای ایمنی عمومی برای ابزارهای برقی

هشدار! تمامی هشدارهای ایمنی و دستورالعملها را مطالعه کنید.

عدم رعایت هشدارها و دستورالعملها ممکن است باعث برق گرفتگی، سوختگی و یا جراحتهای جدی شود.

کلیه هشدارهای ایمنی و دستورالعملها را برای مراجعات بعدی نگهداری کنید.

عبارت «ابزار برقی» در هشدارها به ابزارهایی که به پریز برق متصل میشوند (با سیم برق) و یا ابزارهای برقی باتری دار (بدون سیم برق) اشاره دارد.

ایمنی محل کار

◀ محیط کار را تمیز و روشن نگه دارید. محیطهای در هم ریخته یا تاریک احتمال بروز حادثه را افزایش میدهند.

◀ ابزار برقی را در محیطهایی که خطر انفجار وجود دارد و حاوی مایعات، گازها و بخارهای محترقه هستند، به کار نگیرید. ابزارهای برقی جرقههایی ایجاد میکنند که میتوانند باعث آتش گرفتن گرد و غبارهای موجود در هوا شوند.

◀ هنگام کار با ابزار برقی، کودکان و سایر افراد را از دستگاه دور نگه دارید. در صورتیکه حواس شما پرت شود، ممکن است کنترل دستگاه از دست شما خارج شود.

ایمنی الکتریکی

◀ دوشاخه ابزار برقی باید با پریز برق تناسب داشته باشد. هیچگونه تغییری در دوشاخه ایجاد نکنید. برای ابزارهای برقی دارای اتصال زمین (ارت)، از هیچگونه مبدل دو شاخه استفاده نکنید. دوشاخه‌های اصل و تغییر داده نشده و پریزهای مناسب، خطر برق گرفتگی را کاهش میدهند.

◀ از تماس بدن با قطعات متصل به سیم اتصال زمین مانند لوله، شوفاژ، اجاق برقی و یخچال خودداری کنید. در صورت تماس بدنی با سطوح و قطعات دارای اتصال به زمین و همچنین تماس شما با زمین، خطر برق گرفتگی افزایش می یابد.

◀ ابزارهای برقی را در معرض باران و رطوبت قرار ندهید. نفوذ آب به ابزار برقی، خطر شوک الکتریکی را افزایش میدهد.

◀ از سیم دستگاه برای مقاصد دیگر استفاده نکنید. هرگز برای حمل ابزار برقی، کشیدن آن یا خارج کردن دوشاخه از سیم دستگاه استفاده نکنید. کابل دستگاه را از حرارت، روغن، لبه‌های تیز یا قطعات متحرک دور نگه دارید. کابل‌های آسیب دیده و یا گره خورده خطر شوک الکتریکی را افزایش میدهند.

◀ هنگام استفاده از ابزار برقی در محیطهای باز، تنها از کابل رابطی استفاده کنید که برای محیط باز نیز مناسب باشد. کابل‌های رابط مناسب

خارج شده از باتری میتواند باعث التهاب پوست و سوختگی شود.

سرویس

◀ برای تعمیر ابزار برقی فقط به متخصصین حرفهای رجوع کنید و از قطعات یدکی اصل استفاده نمایید. این باعث خواهد شد که ایمنی دستگاه شما تضمین گردد.

هشدارهای ایمنی برای چکشها

◀ از گوشی ایمنی استفاده کنید. قرار گرفتن در معرض سر و صدا، میتواند به شنوایی آسیب برساند.

◀ از دسته کمکی، در صورتی که به همراه ابزار ارائه شده است استفاده کنید. از دست دادن کنترل بر روی ابزار میتواند باعث بروز جراحت شود.

◀ در صورت انجام کارهایی که امکان برخورد با کابلهای حامل جریان برق مخفی وجود دارد، ابزار برقی را از دسته عایق بگیرید. در صورت برخورد با یک کابل حامل "جریان برق" ممکن است قسمتهای فلزی ابزار برقی حامل "جریان برق" شوند و باعث بروز شوک الکتریکی یا برق گرفتگی گردند.

◀ برای پیدا کردن لوله ها و سیم های پنهان موجود در ساختمان و محدوده کار، از یک دستگاه ردیاب مخصوص برای یافتن لوله ها و سیمهای تأسیسات استفاده کنید و یا با شرکت های کارهای تأسیسات ساختمان و خدمات مربوطه تماس بگیرید. تماس با کابل و سیمهای برق ممکن است باعث آتشسوزی و یا برق گرفتگی شود. ایراد و آسیب دیدگی لوله گاز میتواند باعث انفجار شود. سوراخ شدن لوله آب باعث ایجاد خسارت میشود.

◀ قبل از کنار گذاشتن ابزار برقی صبر کنید تا دستگاه بطور کامل از کار و حرکت بایستد. ابزار ممکن است به قطعه کار گیر کرده و کنترل ابزار برقی از دست شما خارج شود.

◀ قطعه کار را محکم کنید. در صورتیکه قطعه کار به وسیله تجهیزات نگهدارنده و یا بوسیله گیره محکم شده باشد، قطعه کار مطمئن تر نگه داشته میشود، تا اینکه بوسیله دست نگهداشته شود.

◀ در صورتیکه باتری آسیب دیده باشد و یا از آن بطور بی رویه استفاده شود، ممکن است از باتری بخارهایی بلند شود. باتری ممکن است آتش بگیرد یا منفجر شود. در این حالت هوای محیط را تازه کنید؛ اگر احساس ناراحتی کردید، به پزشک مراجعه نمایید. استنشاق این بخارها ممکن است به مجاری تنفسی شما آسیب برساند.

◀ باتری را باز نکنید. خطر اتصال کوتاه وجود دارد.

◀ بوسیله ی اشیاء تیز مانند میخ یا پیچگوشتی یا تأثیر نیروی خارجی ممکن است باتری آسیب ببیند. ممکن است اتصالی داخلی رخ دهد و باتری آتش گیرد، دود کند، منفجر شود یا بیش از حد داغ گردد.

برقی مناسب باعث میشود که بتوانید از توان دستگاه بهتر و با اطمینان بیشتر استفاده کنید.

◀ در صورت ایراد در کلید قطع و وصل ابزار برقی، از دستگاه استفاده نکنید. هر نوع ابزار برقی که نمی توان آن را با استفاده از کلید قطع و وصل کرد، خطرناک بوده و باید تعمیر شود.

◀ قبل از تنظیم ابزار برقی، تعویض متعلقات و یا کنار گذاشتن آن، دوشاخه را از برق بکشید و یا باتری آنرا خارج کنید. رعایت این اقدامات ایمنی پیشگیرانه از روشن شدن ناخواسته ابزار الکتریکی جلوگیری می کند.

◀ ابزار برقی را در صورت عدم استفاده، از دسترس کودکان دور نگه دارید و اجازة ندهید که افراد ناوارد و یا اشخاصی که این دفترچه راهنما را نخواندهاند، با این دستگاه کار کنند. قرار گرفتن ابزار برقی در دست افراد ناوارد و بی تجربه خطرناک است.

◀ از ابزار برقی خوب مراقبت کنید. مواظب باشید که قسمت های متحرک دستگاه خوب کار کرده و گیر نکنند. همچنین دقت کنید که قطعات ابزار برقی شکسته و یا آسیب دیده نباشند. قطعات آسیب دیده را قبل از شروع به کار تعمیر کنید. علت بسیاری از سوانح کاری، عدم مراقبت کامل از ابزارهای برقی است.

◀ ابزارهای برش را تیز و تمیز نگه دارید. ابزار برشی که خوب مراقبت شده و از لبه های تیز برخوردار است، کمتر در قطعه کار گیر کرده و بهتر قابل هدایت است.

◀ ابزار برقی، متعلقات، متهای دستگاه و غیره را مطابق دستورالعملهای این جزوه راهنما به کار بگیرید و به شرایط کاری و نوع کار نیز توجه داشته باشید. استفاده از ابزار برقی برای عملیاتی به جز مقاصد در نظر گرفته شده، میتواند به بروز شرایط خطرناک منجر شود.

مراقبت و طرز استفاده از ابزارهای شارژی

◀ باتریها را منحصراً توسط شارژرهایی که توسط سازنده توصیه شدهاند، شارژ کنید. در صورتی که برای شارژ باتری، آنرا در شارژری قرار دهید که برای آن باتری ساخته نشده است، خطر آتش سوزی وجود دارد.

◀ در ابزارهای برقی فقط از باتریهایی استفاده کنید که برای آن نوع ابزار برقی در نظر گرفته شدهاند. استفاده از باتریهای متفرقه میتواند منجر به بروز جراحت و حریق گردد.

◀ در صورت عدم استفاده از باتری، آنرا از اشیاء فلزی مثل گیره کاغذ، سکه، کلید، میخ، پیچ و دیگر وسایل کوچک فلزی دور نگه دارید، زیرا این وسایل ممکن است باعث ایجاد اتصالی شوند. ایجاد اتصالی بین دو قطب باتری (ترمینالهای باتری) میتواند باعث سوختگی و ایجاد حریق شود.

◀ استفاده بی رویه از باتری میتواند باعث خروج مایعات از آن شود؛ از هر گونه تماس با این مایعات خودداری کنید. در صورت تماس اتفاقی با آن، دست خود و یا محل تماس را با آب بشوئید. در صورت آلوده شدن چشم با این مایع، باید به پزشک مراجعه کنید. مایع

- (1) سه نظام اتوماتیک قابل تعویض سریع با متوقف کننده ضربه تعبیه شده
- (2) سه نظام قابل تعویض SDS-plus
- (3) ابزارگیر مجهز به SDS-plus
- (4) کلاهک محافظت در برابر گرد و غبار
- (5) بوش قفل کننده
- (6) حلقه قفل کننده سه نظام قابل تعویض
- (7) کلید چند کاره برای انواع عملکردها و راست گرد/چپ گرد
- (8) کاهش دهنده لرزش و ارتعاش
- (9) دکمه تثبیت کلید روشن/خاموش
- (10) دسته (دارای روکش عایق)
- (11) کلید روشن/خاموش
- (12) باتری قابل شارژ^(A)
- (13) قاب Low Energy Module[®] Bluetooth GCY 42
- (14) چراغ کار
- (15) دکمه تنظیم کننده عمق سوراخ
- (16) دسته کمکی (دارای روکش عایق)
- (17) خط کش تعیین عمق سوراخ
- (18) دکمه آزاد سازی باتری قابل شارژ^(A)
- (19) User Interface (رابط کاربری)
- (20) گیره سه نظام
- (21) بوش جلویی سه نظام اتوماتیک قابل تعویض
- (22) حلقه نگهدارنده سه نظام اتوماتیک قابل تعویض
- (23) نشانگر وضعیت شارژ باتری (User Interface)
- (24) نشانگر قطع سریع (Kickback Control) (User Interface)
- (25) نشانگر حالت کار (User Interface)
- (26) دکمه انتخاب حالت کار (User Interface)
- (27) نشانگر وضعیت ابزار برقی (User Interface)
- (28) نشانگر گوشی هوشمند (User Interface)
- (29) نشانگر دما (User Interface)

(A) کلیه متعلقاتی که در تصویر و یا در متن آمده است، بطور معمول همراه دستگاه ارائه نمی شود. لطفاً لیست کامل متعلقات را از فهرست برنامه متعلقات اقتباس نمایند.

مشخصات فنی

GBH 18V-34 CF		دریل چکشی شارژی	
3611J140..		شماره فنی	
18	V=	ولتاژ نامی	
750	W	توان ورودی نامی	
0-2900	min ⁻¹	تعداد ضربه ^(A)	
5,8	J	قدرت هر ضربه مطابق استاندارد EPTA- Procedure 05:2016	

◀ تنها از باتری برای محصولات تولیدی شرکت استفاده کنید. فقط در اینصورت باتری در برابر خطر افعال فشار بیش از حد محافظت میشود.

باتری را در برابر حرارت، از جمله در برابر تابش مداوم خورشید و همچنین در برابر آتش، آلودگی، آب و رطوبت محفوظ بدارید. خطر اتصالی و انفجار وجود دارد.



◀ ابزار برقی را هنگام کار با دو دست محکم بگیرید و وضعیت خود را ثابت و مطمئن کنید. ابزار برقی با دو دست مطمئن تر هدایت می شود.

◀ احتیاط! هنگام استفاده از ابزار اندازه گیری با Bluetooth[®] ممکن است دستگاهها، سیستمها، هواپیماها و ابزارهای پزشکی (باتری قلب، سمعک) دچار اختلال شوند. همچنین ممکن است افراد یا حیوانات کاملاً نزدیک به ابزار آسیب ببینند. ابزار برقی با Bluetooth[®] را در نزدیکی دستگاههای پزشکی، پمپ بنزین، سیستمهای شیمیایی و مناطق دارای خطر انفجار بکار نبرید. از ابزار برقی به همراه Bluetooth[®] در هواپیما استفاده نکنید. از کاربرد دستگاه به مدت طولانی در نزدیکی مستقیم بدن خودداری کنید.

علامت نامی Bluetooth[®] همانند علامت های تصویری (لوگوها)، نشانهای ثبت شده و متعلق به Bluetooth SIG, Inc می باشند. هر گونه استفاده از این علائم نامی/نشانها، توسط شرکت Robert Bosch Power Tools GmbH تحت لیسانس انجام میشوند.

توضیحات محصول و کارکرد

همه دستورات ایمنی و راهنماییها را بخوانید. اشتباهات ناشی از عدم رعایت این دستورات ایمنی ممکن است باعث برقرفتگی، سوختگی و یا سایر جراحات های شدید شود.



به تصویرهای واقع در بخشهای اول دفترچه راهنما توجه کنید.

موارد استفاده از دستگاه

ابزار برقی برای سوراخکاری چکشی روی بتن، ساختار آجری و سنگ و نیز جهت قلم زنی سبک و متوسط در نظر گرفته شده است.

علاوه بر این ابزارهای برقی دارای متوقف کننده ضربه زن یا سه نظام برای سوراخکاری با مته مارپیچ، همچنین سوراخکاری بدون ضربه روی چوب، فلز، سرامیک، پلاستیک مناسب است.

اطلاعات و تنظیمات ابزار برقی را میتوان در صورت نصب فن آوری امواج Low Energy[®] Bluetooth Module GCY 42 توسط Bluetooth[®] بین ابزار برقی و یک دستگاه نهایی همراه منتقل کرد.

اجزاء دستگاه

شماره های اجزاء دستگاه که در تصویر مشاهده میشود، مربوط به شرح ابزار برقی می باشد که تصویر آن در این دفترچه آمده است.

Low Energy Module GCY 42 @ Bluetooth را نصب کنید

جهت دریافت اطلاعات درباره Low Bluetooth Energy Module، دفترچه راهنمای مربوطه را بخوانید.

شارژ کردن باتری قابل شارژ

◀ **تنها شارژرهای ذکر شده در مشخصات فنی را بکار برید.** تنها این دستگاه های شارژ با باتری های لیتیوم-یونی (Li-Ion) ابزار برقی شما منطبق میباشند.

نکته: باتری با شارژ نسبی ارسال می شود. برای دست یافتن به توان کامل باتری، قبل از بکار گیری آن برای اولین بار باید شارژ باتری بطور کامل در دستگاه شارژ تکمیل شود.

باتری های لیتیوم-یونی (Li-Ion) را میتوان همه وقت شارژ نمود، بدون اینکه از طول عمر آن کاسته شود. قطع کردن جریان شارژ آسیبی به باتری نمیرساند.

باتری های لیتیوم-یونی دارای سیستم حفاظت الکترونیک "Electronic Cell Protection (ECP)" بوده و در برابر خالی شدن حفاظت می شوند. اگر باتری خالی شود، ابزار برقی از طریق کلید حفاظتی بطور اتوماتیک خاموش میشود و دستگاه دیگر حرکت نمیکند.

◀ **پس از خاموش شدن اتوماتیک ابزار برقی، از فشار دادن مجدد کلید قطع و وصل خودداری کنید.** این میتواند باعث آسیب دیدن باتری شود.

به نکات مربوط به نحوه از رده خارج کردن باتری توجه کنید.

نحوه برداشتن باتری قابل شارژ

باتری (12) دارای دو مرحله قفل میباشد که مانع بیرون افتادن باتری در اثر فشار ناخواسته روی دکمه فشاری آزاد کننده باتری (18) میشوند. تا زمانی که باتری در داخل ابزار برقی قرار داشته باشد، توسط یک فنر در موقعیت مناسب نگهداری میشود.

- برای خارج کردن باتری (12) دکمه آزاد کننده باتری (18) را فشار دهید و باتری را از داخل ابزار برقی خارج کنید. **هنگام انجام این کار از اعمال فشار خودداری کنید.**

نشانه‌گر وضعیت شارژ باتری

چراغهای سبز LED نشانگر وضعیت شارژ باتری، وضعیت شارژ باتری را نشان میدهند. به دلایل ایمنی، فراخوانی وضعیت شارژ باتری تنها در حالت توقف ابزار برقی ممکن است.

دکمه را جهت پدیدار شدن نشانگر وضعیت شارژ یا وضعیت شارژ فشار دهید. این کار هنگامی که باتری برداشته شده باشد نیز ممکن است.

چنانچه پس از فشردن دکمه نشانگر وضعیت شارژ هیچ LED روشن نشود، باتری خراب است و باید تعویض گردد.

نکته: وضعیت شارژ باتری همچنین در User Interface (19) نمایان میشود نمایشگرهای وضعیت.

دریل چکشی شارژی GBH 18V-34 CF

تعداد دور نامی	
0-500	1min ⁻¹
0-500	1min ⁻¹
SDS-plus	
74	mm
حداکثر قطر سوراخکاری:	
32	mm
40-82	mm
- بتن	
- ساختار آجری (دارای مته گرد بر)	
13	mm
- فولاد	
40	mm
- چوب	
5,2-6,3	kg
وزن مطابق با استاندارد EPTA-Procedure 01:2014 ^(A)	
430	mm
طول	
250	mm
ارتفاع	
0...+35	°C
دمای توصیه شده محیط هنگام شارژ	
-20...+50	°C
دمای مجاز محیط هنگام کار ^(B) و هنگام انبار کردن	
GBA 18V... ProCORE18V...	
باتری های قابل شارژ سازگار	
ProCORE18V... ≥ 5,5 Ah	
باتری های قابل شارژ توصیه شده برای توان کامل	
GAL 18... GAX 18V... GAL 36...	
شارژرهای توصیه شده	

انتقال اطلاعات

Bluetooth [®]	
4.2 *Bluetooth (Low Energy) ^(C)	
8	s
فاصله سیگنال	
30	m
حداکثر دامنه سیگنال ^(D)	

(A) بسته به نوع باتری کاربردی

(B) توان محدود برای دمای 0 °C <

(C) دستگاههای همراه با بسته با دستگاههای Bluetooth (Low-Energy (Version 4.2 Generic Access Profile (GAP) را تحت پوشش قرار دهند.

(D) میدان دریافت ممکن است بر حسب شرایط خارجی، به انضمام دستگاه دریافت کننده به شدت تغییر کند. در مکانهای بسته و توسط موانع فلزی (مانند دیوارها، قفسه ها، چمدان ها و غیره) ممکن است میدان دریافت Bluetooth بسیار کمتر باشد.

نصب

◀ **قبل از انجام هر گونه کاری با ابزار برقی (برای مثال سرویس، تعویض ابزار و غیره) و همچنین به هنگام حمل و نقل و یا نگهداری آن در انبار، کلید تثبیت روشن/خاموش را قفل کنید.** در صورت فعال شدن اتفاقی کلید روشن/خاموش، خطر جراحت وجود دارد.

تعیین عمق سوراخ با عمق مته دلخواه X مطابق باشد.

نوع باتری GBA 18V...



انتخاب سه نظام و ابزارها

برای سوراخکاری چکشی و قلم زنی، نیاز به ابزارهای SDS-plus است که در سه نظام SDS-plus قرار گیرند.

برای سوراخکاری بدون ضربه در چوب، فلز، سرامیک و پلاستیک و همچنین برای پیچکاری، ابزارهای بدون SDS-plus (برای مثال مته با شفت استوانه‌ای) بکار برده می‌شود. برای این ابزارها، نیاز به سه نظام اتوماتیک قابل تعویض سریع (1) با متوقف کننده ضربه تعبیه شده است.

نکته: فقط با سه نظام اتوماتیک قابل تعویض سریع (1) دارای متوقف کننده ضربه تعبیه شده، آسیب ندیدن ابزارهای جایگزین تضمین می‌شود.

نحوه برداشتن / قرار دادن سه نظام قابل تعویض

خارج کردن سه نظام تعویض (رجوع کنید به تصویر C)

- حلقه قفل کننده سه نظام قابل تعویض سریع (6) را به عقب بکشید، آن را در این موقعیت محکم نگه دارید و سه نظام قابل تعویض سریع مجهز به SDS-plus (2) یا سه نظام اتوماتیک قابل تعویض سریع (1) را به جلو بکشید.

- سه نظام تعویض را پس از برداشتن در برابر آلودگی محافظت کنید.

قرار دادن سه نظام تعویض (رجوع کنید به تصویر D)

- سه نظام تعویض را پیش از جاگذاری آن، تمیز و قسمت انتهایی آنرا کمی چرب کنید.

- سه نظام قابل تعویض سریع مجهز به SDS-plus (2) یا سه نظام اتوماتیک قابل تعویض سریع (1) را با تمام دست بگیرید. سه نظام تعویض را با چرخش روی دهانه سه نظام (20) قرار دهید تا یک صدای واضح جا افتادن به گوش برسد.

- سه نظام تعویض خود به خود قفل می‌شود. با کشیدن سه نظام تعویض، قفل بودن آن را امتحان کنید.

تعویض ابزار

درپوش حفاظتی گرد و غبار (4) از نفوذ گرد و غبار مته کاری درگیرنده ابزار در حین کار به طور عمده جلوگیری می‌کند. هنگام قرار دادن ابزار دقت کنید که درپوش حفاظتی گرد و غبار (4) آسیب نبیند.

◀ **کلاسهک محافظت در برابر گرد و غبار را در صورت آسیب دیدن فوراً عوض کنید. توصیه می‌شود اینکار را توسط تعمیرگاه مجاز خدمات پس از فروش انجام دهید.**

تعویض ابزار (SDS-plus)

قرار دادن ابزار مورد استفاده SDS-plus (رجوع کنید به تصویر E)

توسط سه نظام SDS-plus می‌توان ابزار را آسان و راحت بدون استفاده از سایر ابزارآلات عوض کرد.

ظرفیت	LED ها
60-100 %	3 چراغ ممتد سبز
30-60 %	2 چراغ ممتد سبز
5-30 %	1 چراغ ممتد سبز
0-5 %	1 چراغ چشمک زن سبز

نوع باتری ProCORE18V...



ظرفیت	LED ها
80-100 %	5 چراغ ممتد سبز
60-80 %	4 چراغ ممتد سبز
40-60 %	3 چراغ ممتد سبز
20-40 %	2 چراغ ممتد سبز
5-20 %	1 چراغ ممتد سبز
0-5 %	1 چراغ چشمک زن سبز

دسته کمکی

◀ از ابزار برقی تنها با دسته کمکی (16) استفاده کنید.

تعویض حالت دسته کمکی (رجوع کنید به تصویر A)

دسته کمکی (16) را می‌توان به دلخواه جهت بدست آمدن حالت کاری مطمئن و راحت چرخاند.

- قسمت پایینی دسته کمکی (16) را در خلاف جهت چرخش عقربه‌های ساعت بچرخانید و دسته کمکی (16) را به حالت دلخواه برانید. سپس قسمت پایینی دسته کمکی (16) را در جهت چرخش عقربه‌های ساعت محکم کنید.

توجه داشته باشید که تسمه مهار دسته کمکی در شیار موجود در بدنه دستگاه که برای آن در نظر گرفته شده است، قرار بگیرد.

تنظیم عمق سوراخ (رجوع کنید به تصویر B)

با خط کش تعیین کننده عمق سوراخ (17) میتوان عمق سوراخکاری دلخواه X را تثبیت کرد.

- دکمه تنظیم کننده عمق (15) را فشار دهید و خط کش تعیین عمق سوراخ را در دسته کمکی (16) قرار دهید.

برآمدگی خط کش تعیین عمق سوراخ (17) باید به طرف پایین باشد.

- ابزار مورد استفاده SDS-plus را تا انتها در ابزارگیر مجهز به SDS-plus (3) قرار دهید. تحرک ابزار SDS-plus ممکن است به تنظیم اشتباه عمق سوراخکاری منجر شود.

- خط کش تعیین عمق سوراخ را تا اندازه‌های بیرون بکشید تا فاصله بین نوک مته و نوک خط کش

مکش گرد، براده و تراشه

- گرد و غبار موادی مانند رنگ های دارای سرب، بعضی از چوب ها، مواد معدنی و فلزات میتوانند برای سلامتی مضر باشند. دست زدن و یا تنفس کردن گرد و غبار ممکن است باعث بروز آلرژی و یا بیماری مجاری تنفسی شخص استفاده کننده و یا افرادی که در آن نزدیکی میباشند، بشود.
- گرد و غبارهای مخصوصی مانند گرد و غبار درخت بلوط و یا درخت راش سرطان زا هستند، بخصوص ترکیب آنها با سایر موادی که برای کار بر روی چوب (کرومات، مواد برای محافظت از چوب) بکار برده میشوند. فقط افراد متخصص مجازند با موادی که دارای آزیست میباشند کار کنند.
- حتی الامکان از یک دستگاه مکش مناسب و درخور ماده (قطعه کار) استفاده کنید.
- توجه داشته باشید که محل کار شما از تهویه هوای کافی برخوردار باشد.
- توصیه میشود از ماسک تنفسی ایمنی با درجه فیلتر P2 استفاده کنید.
- به قوانین و مقررات معتبر در کشور خود در رابطه با استفاده از مواد و قطعات کاری توجه کنید.
- از جمع گرد و غبار در محل کار جلوگیری کنید. گرد و غبار می توانند به آسانی مشتعل شوند.

کار با دستگاه

راه اندازی

- توجه کنید که قاب (13) در Low * Bluetooth Energy Module GCY 42 هنگام کار بسته باشد. بدین ترتیب از ورود گرد و غبار جلوگیری میکنید.

جاگذاری باتری

- تنها از باتری های لیتیوم-یونی (Li-ion) اصل ساخت Bosch استفاده کنید. ولتاژ این باتری ها باید با اندازه ذکر شده روی برچسب دستگاه منطبق باشد. استفاده از باتری های متفرقه میتواند منجر به جراحات و حریق گردد.
- دکمه تثبیت (9) را فشار دهید تا ابزار برقی را در مقابل روشن شدن ناخواسته ایمن سازید.
- باتری (12) شارژ شده را درون کنتاکت های شارژ بدنه وارد کنید تا به درستی جا بیفتد.

تنظیم نوع عملکرد (رجوع کنید به تصویر 1)

- با کلید چند کاره (7) نوع عملکرد ابزار برقی را انتخاب کنید.
- نکته: نوع عملکرد را تنها هنگام خاموش بودن ابزار برقی تغییر دهید! در غیر این صورت امکان آسیب دیدن ابزار برقی وجود دارد.
- نکته: چنانچه عملکرد دیگری را هنگامی که کلید روشن/خاموش قفل است، انتخاب کنید، ابزار برقی خاموش میشود.
- برای تعویض نوع عملکرد، کلید چند کاره (7) را در موقعیت دلخواه بچرخانید تا بطور محسوس جا بیفتد.

- سه نظام قابل تعویض سریع مجهز به SDS-plus را قرار دهید.
- انتهای ابزار مورد استفاده را برای جاگذاری آن تمیز کرده و آن را کمی چرب کنید.
- ابزار مورد استفاده را با چرخش در داخل ابزارگیر قرار دهید، تا خود به خود در دستگاه قفل شود.
- با کشیدن ابزار، قفل شدن آن را امتحان کنید.
- ابزار SDS-plus به دلایل سیستمی آزادانه قابل حرکت است. به این ترتیب در حالت بدون بار (در حالت آزاد)، یک گردش دورانی نامنظم انجام میگیرد. این مسئله هیچگونه تأثیری بر روی دقت سوراخ کاری و سوراخ مته ندارد، زیرا مته در هنگام سوراخ کردن بطور اتوماتیک در مرکز سوراخ قرار میگیرد.

نحوه برداشتن ابزار SDS-plus (رجوع کنید به تصویر F)

- آداپتور قفل (5) را به عقب برانید و ابزار را چرخان از ابزارگیر بردارید.

تعویض ابزار (بدون SDS-plus)

قرار دادن ابزار مورد استفاده (رجوع کنید به تصویر G)

- نکته: از ابزارهای بدون SDS-plus برای سوراخکاری چکشی یا قلم زنی استفاده نکنید! ابزارهای بدون SDS-plus و سه نظام آنها هنگام سوراخکاری چکشی و قلم زنی آسیب می بینند.

- سه نظام اتوماتیک قابل تعویض سریع (1) را با متوقف کننده ضربه تعبیه شده نصب کنید.
- نکته: آن را فقط برای محصول GBH 18V-34 CF سه نظام اتوماتیک قابل تعویض سریع خاصی که دارای متوقف کننده ضربه تعبیه شده میباشد، استفاده کنید. فقط با این سه نظام میتوان مطمئن شد که ضربات پنوماتیک دریل چکشی، به ابزار مورد استفاده آسیب نمیرساند.

- رینگ نگهدارنده (22) سه نظام اتوماتیک قابل تعویض سریع را محکم نگه دارید. ابزارگیر را با چرخاندن بوش جلویی (21) آنقدر باز کنید که بتوان ابزار را جا انداخت. رینگ نگهدارنده (22) را محکم بگیرید و آن را در بوش جلویی (21) با قدرت در جهت فلش بچرخانید تا صدای جا افتادن آن بطور واضح به گوش برسد.
- با کشیدن ابزار، محکم قرار گرفتن آن را امتحان کنید.

- نکته: چنانچه ابزارگیر تا انتها باز شده باشد، ممکن است هنگام چرخاندن ابزارگیر یک صدای ناهنجار به گوش برسد و بسته نشود.

- در این صورت بوش جلویی (21) را بکار در خلاف جهت فلش بچرخانید. سپس میتوان ابزارگیر را بست.
- کلید چند کاره (7) را در موقعیت "سوراخکاری" بچرخانید.

برداشتن ابزار (رجوع کنید به تصویر H)

- رینگ نگهدارنده (22) را در سه نظام اتوماتیک قابل تعویض سریع محکم نگه دارید. ابزارگیر را با چرخاندن بوش جلویی (21) در جهت فلش باز کنید تا بتوان ابزار را خارج کرد.

قلم زنی با عملکرد قفل

برای قلم زنی طولانی مدت بدون اینکه کلید روشن/خاموش (11) را بصورت مداوم فشار دهید، کلید روشن/خاموش را روی عملکرد "قلم زنی" قفل کنید.

- جهت **قفل کردن** کلید روشن/خاموش (11) را تا انتها فشار داده و همزمان دکمه تثبیت (9) را فشار دهید.

- جهت خاموش کردن، دکمه تثبیت (9) را مجدداً فشار دهید.

نکته: چنانچه عملکرد دیگری را هنگامی که کلید روشن/خاموش قفل است، انتخاب کنید، ابزار برقی خاموش میشود.

کلاج ایمنی

◀ **هنگامی که مته یا ابزار دریل گیر کند، نیروی محرکه محور (شفت) مته قطع می شود.**
 بدلیل نیروهایی که در اینصورت ایجاد می شوند، ابزار برقی را همیشه با هر دو دست محکم نگهدارید و وضعیت ایستادن شما هم باید ثابت و مستقر باشد.

◀ **در صورتیکه ابزار برقی بلوکه شود یا گیر کند، ابزار برقی را خاموش کرده و ابزار را از روی دستگاه بردارید.** روشن کردن ابزار برقی در حالیکه ابزار مته گیر کرده باشد، باعث ایجاد ارتعاش و عکس العمل های شدید گشتاور می شود.

قطع سریع (KickBack Control)

قطع سریع (KickBack Control) کنترل بهتری را روی ابزار برقی فراهم می کند و اینگونه حفاظت کاربر را نسبت به ابزارهای برقی بدون KickBack Control تأمین می کند. هنگام چرخش ناگهانی و غیر قابل پیش بینی ابزار برقی حول محور مته، ابزار برقی خاموش می شود، نشانگر قطع سریع (24) روشن شده و چراغ/نور کار (14) چشمک می زند. در صورت فعال بودن قطع سریع، نشانگر وضعیت (27) به رنگ قرمز چشمک میزند.



- جهت **راه اندازی دوباره** کلید روشن/خاموش (11) را رها کنید و آن را دوباره فشار دهید.

Electronic Precision Control (EPC)

EPC هنگام کار با ضربه، از طریق افزایش آهسته سرعت کار در کارهای ظریف، از شما محافظت می کند.

کنترل الکتریکی سرعت (Adaptive Speed Control)

در نوع عملکرد "قلم زنی" برای کنترل بهتر و شروع کار دقیق، ابزار برقی با سرعت پایین شروع به کار می کند و سپس سریعاً تا حداکثر سرعت افزایش مییابد.
 هنگام شروع به کار ابزار برقی، کنترل الکتریکی سرعت بطور اتوماتیک فعال می شود.



↑↑T موقعیت جهت سوراخکاری چکشی در بتن یا سنگ



GBH 18V-34 CF با سه نظام اتوماتیک قابل تعویض سریع(1): موقعیت جهت **سوراخکاری** بدون ضربه در چوب، فلز، سرامیک و پلاستیک (**راست گرد**)

↑↑T موقعیت **چپ گرد** جهت جدا کردن ابزار مورد استفاده از قطعه کار



↑↑T موقعیت **Vario-Lock** جهت تغییر حالت قلم زنی.



↑↑T موقعیت **قلم زنی**



نحوه روشن و خاموش کردن

- در صورت لزوم دکمه تثبیت (9) برای کلید روشن/خاموش را رها کنید.

- جهت **روشن کردن** ابزار برقی، کلید روشن/خاموش (11) را فشار دهید.

با فشار دادن کم یا کامل کلید روشن/خاموش (11) چراغ روشن شده و محیط کار را در صورت عدم وجود شرایط مناسب نور، روشن میکند.

- برای **خاموش کردن** ابزار برقی، کلید روشن/خاموش (11) را رها کنید.

تنظیم تعداد دور/ضربه

همیشه میتوان تعداد چرخش/ضربه ابزار برقی روشن را با توجه به اینکه کلید روشن/خاموش (11) را تا کجا فشار میدهید، تنظیم کرد.

فشار کم روی کلید روشن/خاموش (11) باعث کاهش تعداد چرخش/ضربه میشود. افزایش فشار باعث افزایش تعداد چرخش/ضربه میشود.

همچنین میتوانید سرعت را در رابط کاربری یا هر اپلیکیشن گوشی هوشمند تنظیم کنید (رجوع کنید به „انتخاب حالت کار“، صفحه 124).

تغییر حالت قلم (Vario-Lock)

شما میتوانید قلم را در **16** حالت قفل کنید. به این ترتیب میتوانید بهترین موقعیت کار را انتخاب کنید.

- قلم را در ابزارگیر قرار دهید.

- کلید چند کاره (7) را به موقعیت "Vario-Lock" بچرخانید.

- ابزار مورد استفاده را به وضعیت دلخواه برای قلم زنی بچرخانید.

- کلید چند کاره (7) را به موقعیت "قلم زنی" بچرخانید. ابزارگیر اینگونه قفل میشود.

همچنین برای نشانگر وضعیت ابزار برقی مورد استفاده قرار میگیرد.

User Interface (رجوع کنید به تصویر J)

نمایشگرهای وضعیت

راه حل	معنی/دلیل	نشانگر وضعیت شارژ باتری (User Interface) (23)
-	باتری شارژ شده است	سبز (2 تا 5 خط)
باتری را زود تعویض یا شارژ کنید	باتری تقریباً خالی است	زرد (1 خط)
باتری را تعویض یا شارژ کنید	باتری خالی است	قرمز (1 خط)

راه حل	معنی/دلیل	نشانگر دما (29)
اجازه دهید ابزار برقی در حالت بدون بار کار کند و خنک شود یا باتری قابل شارژ بیش از حد گرم شده را تعویض نمایید	دمای کار باتری قابل شارژ یا ابزار برقی به شکل قابل ملاحظه ای افزایش یافته، توان کاهش یافته است	زرد
اجازه دهید ابزار برقی خنک شود یا باتری قابل شارژ بیش از حد گرم شده را تعویض نمایید	دمای کار باتری قابل شارژ یا ابزار برقی از حد مجاز فراتر رفته، ابزار برقی جهت محافظت خاموش شده است	قرمز

راه حل	معنی/دلیل	نشانگر وضعیت ابزار برقی (27)
-	وضعیت OK	سبز
اجازه دهید ابزار برقی در حالت بدون بار کار کند و خنک شود یا باتری قابل شارژ را به سرعت تعویض یا شارژ کنید	دما به وضعیت هشدار رسیده است یا باتری قابل شارژ تقریباً خالی است	زرد
اجازه دهید ابزار برقی خنک شود یا باتری قابل شارژ را تعویض یا شارژ کنید	ابزار برقی زیاد داغ شده یا باتری قابل شارژ خالی است	قرمز
دکمه تثبیت را دوباره فشار دهید	دکمه تثبیت در نوع عملکرد "سوراخکاری چکشی" فعال شده است	قرمز
ابزار برقی را خاموش و دوباره روشن کنید	کلید چند کاره هنگام عملکرد فعال شده است	
باتری قابل شارژ را شارژ کنید یا از انواع توصیه شده باتری قابل شارژ استفاده نمایید	موتور بلوکه شده است، باتری قابل شارژ بسیار ضعیف است	
- ابزار برقی را خاموش و دوباره روشن کنید یا باتری قابل شارژ را برداشته و دوباره جاگذاری نمایید. اگر خطا به قوت خود باقی بود: - ابزار برقی را به مرکز خدمات پس از فروش ارسال نمایید	خطای عمومی	
ابزار برقی را خاموش و دوباره روشن کنید	قطع سریع فعال شده است	چشمک زن قرمز - به همراه نشانگر قطع سریع (24)
-	ابزار برقی به دستگاه همراه نهایی متصل است یا تنظیمات در حال انتقال می باشند	چشمک زن آبی رنگ

راه حل	معنی/دلیل	نشانگر وضعیت گوشی هوشمند (28)
در صورت تمایل پیام روی گوشی هوشمند را بخوانید	اطلاعات تکمیلی موجود است (برای مثال اطلاعات تجاری)	سبز

راه حل	معنی/دلیل	نشانگر وضعیت گوشی هوشمند (28)
پیام گوشی هوشمند را بخوانید	اطلاعات مهم موجود است (برای مثال نمایشگر هشدار دما)	زرر
پیام گوشی هوشمند را فوراً بخوانید	اطلاعات عملکرد وضعیت هشدار موجود است (برای مثال توقف موتور به دلیل خطای واحد میکروکنترلر)	قرمز

انتخاب حالت کار
 - دکمه (26) را جهت انتخاب حالت کار به اندازه‌های فشار دهید که حالت کار دلخواه شما روشن شود.
نکته: در حالت کار **Favorite** عملکردهای اپلیکیشن گوشی هوشمند پیکربندی میشوند، در حالت‌های کار **Auto** و **Soft** عملکردها از پیش تنظیم شده‌اند.

عملکردها	نشانگر حالت کار (25)
<p>در حالت کار Auto، ابزار برقی به حداکثر توان می‌رسد.</p> <ul style="list-style-type: none"> - نوع عملکرد "سوراخکاری چکشی": افزایش سریع سرعت برای سوراخکاری کنترل شده تا 100% حداکثر سرعت - نوع عملکرد "قلم زنی": کنترل الکتریکی سرعت (Adaptive Speed Control) - قطع سریع (KickBack Control) 	Auto روشن است
<p>حالت کار Soft جهت کار کردن روی مواد حساس استفاده می‌شود.</p> <ul style="list-style-type: none"> - نوع عملکرد "سوراخکاری چکشی": EPC فعال، افزایش آهسته سرعت برای سوراخکاری ملایم تا 80% حداکثر سرعت برای سوراخکاری چکشی در سطوح حساس - نوع عملکرد "قلم زنی": کنترل الکتریکی سرعت (Adaptive Speed Control) با حساسیت بالاتر تنظیم می‌شود - قطع سریع (Kickback Control) با حساسیت بالاتر تنظیم می‌شود 	Soft روشن است
<p>در حالت کار Favorite، می‌توان ابزار برقی را در هر اپلیکیشن گوشی هوشمند بطور فردی پیکربندی کرد.</p> <ul style="list-style-type: none"> - نوع عملکرد "سوراخکاری چکشی"، در مراحل بیشتر قابل پیکربندی است: توان در هنگام سرعت - Electronic Precision Control (EPC) در سرعت بالا - نوع عملکرد "قلم زنی": کنترل الکتریکی سرعت (Adaptive Speed Control) - قابل روشن و خاموش شدن - حساسیت قطع سریع (Kickback Control) تا زمان خاموش شدن، قابل پیکربندی است 	Favorite روشن است

به محدودیتهای کار در محل مانند استفاده در هواپیماها یا بیمارستانها توجه کنید.
در مناطقی که در آنها استفاده از فن آوری امواج Bluetooth مجاز نیست، باید Low Energy Module GCY 42 و باتری دکمهای برداشته شود.

نکته: قاب یا روکش پوششی (13) فقط زمانی بطور مطمئن بسته می‌شود که Low Energy Bluetooth Module GCY 42 و باتری دکمه ای درون ابزار برقی قرار گیرد.

- به منظور **غیرفعال کردن Low Bluetooth Energy Module GCY 42**، باتری دکمه ای را بچرخانید یا یک عایق بین باتری دکمه ای و Low Energy Module GCY 42 قرار دهید.

- قاب یا روکش پوششی (13) را ببندید تا خاک به داخل نفوذ نکند.

عملکرد های ارتباطی

در رابطه با Bluetooth Low Energy Module GCY 42 عملکردهای اتصال زیر برای ابزار برقی موجود است:

- ثبت و شخصی سازی
- بررسی وضعیت، اعلام هشدارها
- اطلاعات عمومی و تنظیمات
- مدیریت
- جهت دریافت اطلاعات درباره Bluetooth Low Energy Module GCY 42 دفترچه راهنمای مربوطه را بخوانید.
- اگر ابزار برقی، اطلاعاتی (برای مثال هشدار دما) را توسط فن آوری امواج Bluetooth به دستگاه نهایی همراه ارسال کند، نشانگر گوشی هوشمند (28) روشن میشود.

نکات کار

◀ **ابزار برقی مجهز به Bluetooth Low Energy Module GCY 42، امواج رادیویی تولید میکند.**

تهران 1994834571
تلفن: 42039000 + 9821

حمل دستگاه

باتریهای لیتیوم-یونی تابع مقررات حمل کالاهای پر خطر می باشند. کاربر می تواند باتریها را بدون استفاده از روکش در خیابان حمل کند.
در صورت ارسال توسط شخص ثالث (مانند: حمل و نقل هوایی یا زمینی) باید تمهیدات مربوط به بسته بندی و علامتگذاری مورد توجه قرار گیرد. در اینصورت باید حتما جهت آماده سازی قطعه ارسالی به کارشناس حمل کالاهای پر خطر مراجعه کرد.
باتریها را فقط در صورتی ارسال کنید که بدنه آنها آسیب ندیده باشد. اتصالات (کنتاکتهای) باز را بپوشانید و باتری را طوری بسته بندی کنید که در بسته بندی تکان نخورد. در این باره لطفاً به مقررات و آیین نامه های ملی توجه کنید.

از رده خارج کردن دستگاه

ابزارهای برقی، باتری ها، متعلقات و بسته بندی ها، باید طبق مقررات حفظ محیط زیست از رده خارج و بازیافت شوند.
ابزار برقی و باتری ها/ باتری های قابل شارژ را داخل زباله دان خانگی نیندازید!



باتریهای شارژی/قلمی: لیتیوم-یونی:

لطفاً به تذکرات بخش (رجوع کنید به «حمل دستگاه»، صفحه 125) توجه کنید.

کاهش دهنده لرزش و ارتعاش
کاهش دهنده لرزش و ارتعاش تعبیه شده، مقدار لرزشهای ایجاد شده را کاهش میدهد.

◀ **چنانچه عضو کاهنده لرزش و ارتعاش ابزار برقی آسیب دیده باشد، از ابزار برقی دیگر استفاده نکنید.**

توضیحات و تذکراتی برای نحوه بهینه کار با باتری
باتری را در برابر رطوبت و آب حفظ کنید.

باتری را منحصراً در دمای بین -20 تا 50 درجه نگهداری کنید. بطور مثال باتری را در تابستان داخل اتومبیل نگذارید.

گامبرهنگاه شیارهای تهویه باتری را بوسیله یک قلم موی یا برس کوچک نرم و خشک تمیز کنید.

افت قابل توجه مدت زمان کارکرد باتری که تازه شارژ شده است، نمایانگر آن است که باتری فرسوده و مستعمل شده و باید تعویض شود.

به نکات مربوط به نحوه از رده خارج کردن باتری توجه کنید.

مراقبت و سرویس

مراقبت، تعمیر و تمیز کردن دستگاه

◀ **قبل از انجام هر گونه کاری با ابزار برقی (از جمله سرویس، تعویض ابزار و غیره) و همچنین به هنگام حمل و نقل و یا در انبار نگهداری کردن، باتری را از داخل ابزار برقی خارج کنید.** در صورت تماس اتفاقی با کلید قطع و وصل، خطر آسیب دیدگی وجود دارد.

◀ **ابزار الکتریکی و شیارهای تهویه آنرا تمیز نگاه دارید، تا ایمنی شما در کار تضمین گردد.**

◀ **کلاسهک محافظت در برابر گرد و غبار را در صورت آسیب دیدن فوراً عوض کنید. توصیه میشود این کار را از طریق تعمیرگاه مجاز (خدمات پس از فروش) انجام دهید.**

- ابزارگیر (3) را پس از هر بار استفاده تمیز کنید.

- ابزارگیر را پس از هر بار استفاده تمیز کنید.

خدمات و مشاوره با مشتریان

خدمات مشتری، به سؤالات شما درباره تعمیرات، سرویس و همچنین قطعات یدکی پاسخ خواهد داد. نقشههای سه بعدی و اطلاعات مربوط به قطعات یدکی را در تارنمای زیر مییابید:

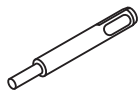
www.bosch-pt.com

گروه مشاوره به مشتریان Bosch با کمال میل به سؤالات شما درباره محصولات و متعلقات پاسخ می دهند.

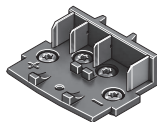
برای هرگونه سؤال و یا سفارش قطعات یدکی، حتماً شماره فنی 10 رقمی کالا را مطابق برچسب روی ابزار برقی اطلاع دهید.

ایران

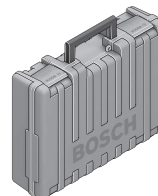
روبرت بوش ایران - شرکت بوش تجارت پارس
میدان ونک، خیابان شهید خدای، خیابان آفتاب
ساختمان مادیران، شماره 3، طبقه سوم.



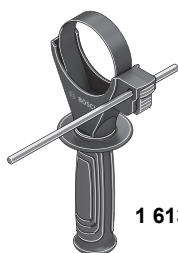
1 618 600 007



1 600 A01 B2E

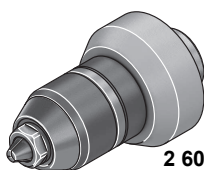


1 605 438 1G2



1 613 001 009

1 613 001 010



2 608 000 710
1,5 – 13 mm



2 608 000 704
SDS-plus

Licenses

Copyright © 2009–2016 ARM LIMITED

All rights reserved.

Redistribution and use in source and binary forms, with or without modification, are permitted provided that the following conditions are met:

- Redistributions of source code must retain the above copyright notice, this list of conditions and the following disclaimer.
- Redistributions in binary form must reproduce the above copyright notice, this list of conditions and the following disclaimer in the documentation and/or other materials provided with the distribution.
- Neither the name of ARM nor the names of its contributors may be used to endorse or promote products derived from this software without specific prior written permission.

THIS SOFTWARE IS PROVIDED BY THE COPYRIGHT HOLDERS AND CONTRIBUTORS "AS IS" AND ANY EXPRESS OR IMPLIED WARRANTIES, INCLUDING, BUT NOT LIMITED TO, THE IMPLIED WARRANTIES OF MERCHANTABILITY AND FITNESS FOR A PARTICULAR PURPOSE ARE DISCLAIMED. IN NO EVENT SHALL THE COPYRIGHT OWNER OR CONTRIBUTORS BE LIABLE FOR ANY DIRECT, INDIRECT, INCIDENTAL, SPECIAL, EXEMPLARY, OR CONSEQUENTIAL DAMAGES (INCLUDING, BUT NOT LIMITED TO, PROCUREMENT OF SUBSTITUTE GOODS OR SERVICES; LOSS OF USE, DATA, OR PROFITS; OR BUSINESS INTERRUPTION) HOWEVER CAUSED AND ON ANY THEORY OF LIABILITY, WHETHER IN CONTRACT, STRICT LIABILITY, OR TORT (INCLUDING NEGLIGENCE OR OTHERWISE) ARISING IN ANY WAY OUT OF THE USE OF THIS SOFTWARE, EVEN IF ADVISED OF THE POSSIBILITY OF SUCH DAMAGE.

Apache License

Version 2.0, January 2004

<http://www.apache.org/licenses/>

TERMS AND CONDITIONS FOR USE, REPRODUCTION, AND DISTRIBUTION

1. Definitions.

"License" shall mean the terms and conditions for use, reproduction, and distribution as defined by Sections 1 through 9 of this document.

"Licensor" shall mean the copyright owner or entity authorized by the copyright owner that is granting the License.

"Legal Entity" shall mean the union of the acting entity and all other entities that control, are controlled by, or are under common control with that entity. For the purposes of this definition, **"control"** means (i) the power, direct or indirect, to cause the direction or management of such entity, whether by contract or otherwise, or (ii) ownership of fifty percent (50%) or more of the outstanding shares, or (iii) beneficial ownership of such entity.

"You" (or **"Your"**) shall mean an individual or Legal Entity exercising permissions granted by this License.

"Source" form shall mean the preferred form for making modifications, including but not limited to software source code, documentation source, and configuration files.

"Object" form shall mean any form resulting from mechanical transformation or translation of a Source form, including but not limited to compiled object code, generated documentation, and conversions to other media types.

"Work" shall mean the work of authorship, whether in Source or Object form, made available under the License, as indicated by a copyright notice that is included in or attached to the work (an example is provided in the Appendix below).

"Derivative Works" shall mean any work, whether in Source or Object form, that is based on (or derived from) the Work and for which the editorial revisions, annotations, elaborations, or other modifications represent, as a whole, an original work of authorship. For the purposes of this License, Derivative Works shall not include works that remain separable from, or merely link (or bind by name) to the interfaces of, the Work and Derivative Works thereof.

"Contribution" shall mean any work of authorship, including the original version of the Work and any modifications or additions to that Work or Derivative Works thereof, that is intentionally submitted to Licensor for inclusion in the Work by the copyright owner or by an individual or Legal Entity authorized to submit on behalf of the copyright owner. For the purposes of this definition, **"submitted"** means any form of electronic, verbal, or written communication sent to the Licensor or its representatives, including but not limited to communication on electronic mailing lists, source code control systems, and issue tracking systems that are managed by, or on behalf of, the Licensor for the purpose of discussing and improving the Work, but excluding communication that is conspicuously marked or otherwise designated in writing by the copyright owner as **"Not a Contribution."**

"Contributor" shall mean Licensor and any individual or Legal Entity on behalf of whom a Contribution has been received by Licensor and subsequently incorporated within the Work.

2. Grant of Copyright License. Subject to the terms and conditions of this License, each Contributor hereby grants to You a perpetual, worldwide, non-exclusive, no-charge, royalty-free, irrevocable copyright license to reproduce, prepare Derivative Works of, publicly display, publicly perform, sublicense, and distribute the Work and such Derivative Works in Source or Object form.

3. Grant of Patent License. Subject to the terms and conditions of this License, each Contributor hereby grants to You a perpetual, worldwide, non-exclusive, no-charge, royalty-free, irrevocable (except as stated in this section) patent license to make, have made, use, offer to sell, sell, import, and otherwise transfer the Work, where such license applies only to those patent claims licensable by such Contributor that are necessarily infringed by their Contribution(s) alone or by combination of their Contribution(s) with the Work to which such Contribution(s) was submitted. If You institute patent litigation against any entity (including a cross-claim or counterclaim in a lawsuit) alleging that the Work or a Contribution incorporated within the Work constitutes direct or contributory patent infringement, then any patent licenses granted to You under this License for that Work shall terminate as of the date such litigation is filed.

4. Redistribution. You may reproduce and distribute copies of the Work or Derivative Works thereof in any medium, with or without modifications, and in Source or Object form, provided that You meet the following conditions:

- You must give any other recipients of the Work or Derivative Works a copy of this License; and
- You must cause any modified files to carry prominent notices stating that You changed the files; and
- You must retain, in the Source form of any Derivative Works that You distribute, all copyright, patent, trademark, and attribution notices from the Source form of the Work, excluding those notices that do not pertain to any part of the Derivative Works; and
- If the Work includes a "NOTICE" text file as part of its distribution, then any Derivative Works that You distribute must include a readable copy of the attribution notices contained within such NOTICE file, excluding those notices that do not pertain to any part of the Derivative Works, in at least one of the following places: within a NOTICE text file distributed as part of the Derivative Works; within the Source form or documentation, if provided along with the Derivative Works; or, within a display generated by the Derivative Works, if and wherever such third-party notices normally appear. The contents of the NOTICE file are for informational purposes only and do not modify the License.

You may add Your own attribution notices within Derivative Works that You distribute, alongside or as an addendum to the NOTICE text from the Work, provided that such additional attribution notices cannot be construed as modifying the License. You may add Your own copyright statement to Your modifications and may provide additional or different license terms and conditions for use, reproduction, or distribution of Your modifications, or for any such Derivative Works as a whole, provided Your use, reproduction, and distribution of the Work otherwise complies with the conditions stated in this License.

5. Submission of Contributions. Unless You explicitly state otherwise, any Contribution intentionally submitted for inclusion in the Work by You to the Licensor shall be under the terms and conditions of this License, without any additional terms or conditions. Notwithstanding the above, nothing herein shall supersede or modify the terms of any separate license agreement you may have executed with Licensor regarding such Contributions.

6. Trademarks. This License does not grant permission to use the trade names, trademarks, service marks, or product names of the Licensor, except as required for reasonable and customary use in describing the origin of the Work and reproducing the content of the NOTICE file.

7. Disclaimer of Warranty. Unless required by applicable law or agreed to in writing, Licensor provides the Work (and each Contributor provides its Contributions) on an "AS IS" BASIS, WITHOUT WARRANTIES OR CONDITIONS OF ANY KIND, either express or implied, including, without limitation, any warranties or conditions of TITLE, NON-INFRINGEMENT, MERCHANTABILITY, or FITNESS FOR A PARTICULAR PURPOSE. You are solely responsible for determining the appropriateness of using or redistributing the Work and assume any risks associated with Your exercise of permissions under this License.

8. Limitation of Liability. In no event and under no legal theory, whether in tort (including negligence), contract, or otherwise, unless required by applicable law (such as deliberate and grossly negligent acts) or agreed to in writing, shall any Contributor be liable to You for damages, including any direct, indirect, special, incidental, or consequential damages of any character arising as a result of this License or out of the use or inability to use the Work (including but not limited to damages for loss of goodwill, work stoppage, computer failure or malfunction, or any and all other commercial damages or losses), even if such Contributor has been advised of the possibility of such damages.

9. Accepting Warranty or Additional Liability. While redistributing the Work or Derivative Works thereof, You may choose to offer, and charge a fee for, acceptance of support, warranty, indemnity, or other liability obligations and/or rights consistent with this License. However, in accepting such obligations, You may act only on Your own behalf and on Your sole responsibility, not on behalf of any other Contributor, and only if You agree to indemnify, defend, and hold each Contributor harmless for any liability incurred by, or claims asserted against, such Contributor by reason of your accepting any such warranty or additional liability.

END OF TERMS AND CONDITIONS

Copyright © 2016–2019 STMicroelectronics

All rights reserved.

Redistribution and use in source and binary forms, with or without modification, are permitted provided that the following conditions are met:

- Redistributions of source code must retain the above copyright notice, this list of conditions and the following disclaimer.
- Redistributions in binary form must reproduce the above copyright notice, this list of conditions and the following disclaimer in the documentation and/or other materials provided with the distribution.
- Neither the name of STMicroelectronics nor the names of its contributors may be used to endorse or promote products derived from this software without specific prior written permission.

THIS SOFTWARE IS PROVIDED BY THE COPYRIGHT HOLDERS AND CONTRIBUTORS "AS IS" AND ANY EXPRESS OR IMPLIED WARRANTIES, INCLUDING, BUT NOT LIMITED TO, THE IMPLIED WARRANTIES OF MERCHANTABILITY AND FITNESS FOR A PARTICULAR PURPOSE ARE DISCLAIMED. IN NO EVENT SHALL THE COPYRIGHT OWNER OR CONTRIBUTORS BE LIABLE FOR ANY DIRECT, INDIRECT, INCIDENTAL, SPECIAL, EXEMPLARY, OR CONSEQUENTIAL DAMAGES (INCLUDING, BUT NOT LIMITED TO, PROCUREMENT OF SUBSTITUTE GOODS OR SERVICES; LOSS OF USE, DATA, OR PROFITS; OR BUSINESS INTERRUPTION) HOWEVER CAUSED AND ON ANY THEORY OF LIABILITY, WHETHER IN CONTRACT, STRICT LIABILITY, OR TORT (INCLUDING NEGLIGENCE OR OTHERWISE) ARISING IN ANY WAY OUT OF THE USE OF THIS SOFTWARE, EVEN IF ADVISED OF THE POSSIBILITY OF SUCH DAMAGE.