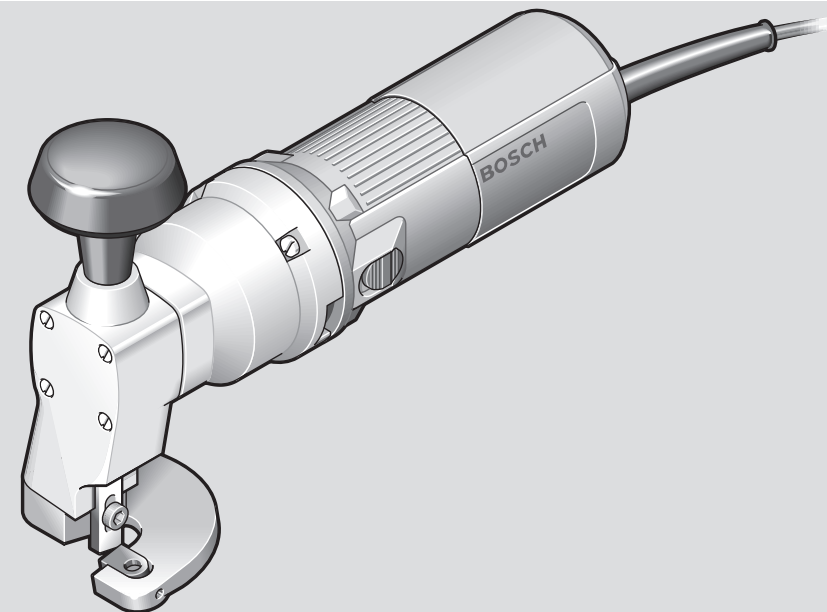




GSC 2,8 Professional



Robert Bosch Power Tools GmbH
70538 Stuttgart
GERMANY

www.bosch-pt.com

1 609 92A 5L2 (2019.12) T / 32

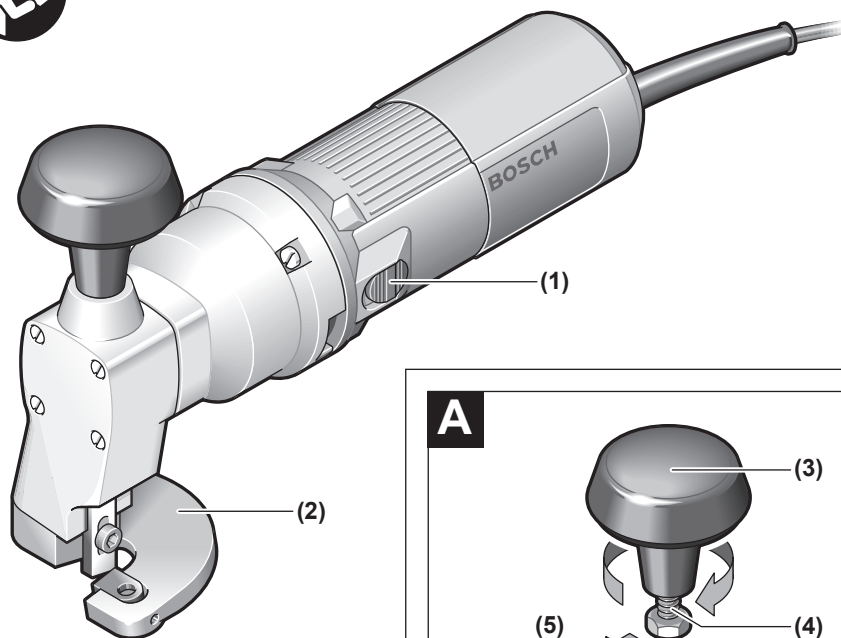
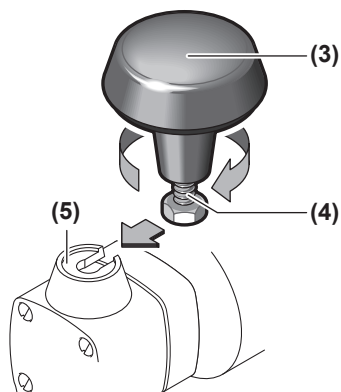
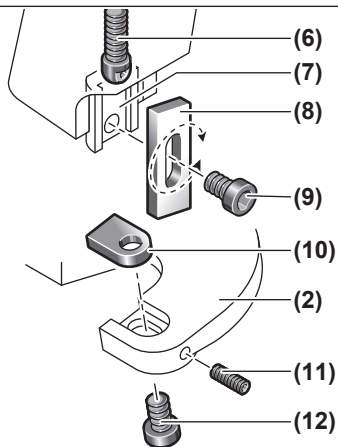
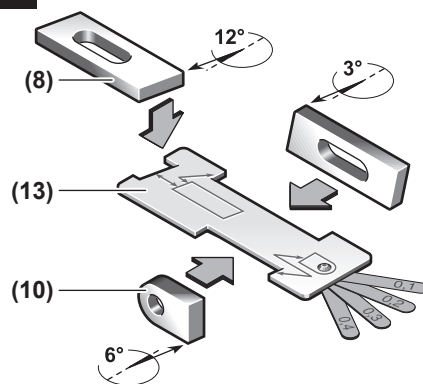


1 609 92A 5L2

- en Original instructions
- zh 正本使用说明书
- zh 原始使用說明書
- ko 사용 설명서 원본
- th หนังสือคู่มือการใช้งานฉบับต้นแบบ
- id Petunjuk-Petunjuk untuk Penggunaan Orisinal
- vi Bản gốc hướng dẫn sử dụng



English	Page	4
中文	页	10
繁體中文	頁	13
한국어	페이지	16
ไทย	หน้า	19
Bahasa Indonesia	Halaman	24
Tiếng Việt	Trang	28

**A****B****C**

English

Safety instructions

General Power Tool Safety Warnings

⚠ WARNING Read all safety warnings, instructions, illustrations and specifications provided with this power tool. Failure to follow all instructions listed below may result in electric shock, fire and/or serious injury.

Save all warnings and instructions for future reference.

The term "power tool" in the warnings refers to your mains-operated (corded) power tool or battery-operated (cordless) power tool.

Work area safety

- ▶ **Keep work area clean and well lit.** Cluttered or dark areas invite accidents.
- ▶ **Do not operate power tools in explosive atmospheres, such as in the presence of flammable liquids, gases or dust.** Power tools create sparks which may ignite the dust or fumes.
- ▶ **Keep children and bystanders away while operating a power tool.** Distractions can cause you to lose control.

Electrical safety

- ▶ **Power tool plugs must match the outlet. Never modify the plug in any way. Do not use any adapter plugs with earthed (grounded) power tools.** Unmodified plugs and matching outlets will reduce risk of electric shock.
- ▶ **Avoid body contact with earthed or grounded surfaces, such as pipes, radiators, ranges and refrigerators.** There is an increased risk of electric shock if your body is earthed or grounded.
- ▶ **Do not expose power tools to rain or wet conditions.** Water entering a power tool will increase the risk of electric shock.
- ▶ **Do not abuse the cord. Never use the cord for carrying, pulling or unplugging the power tool. Keep cord away from heat, oil, sharp edges or moving parts.** Damaged or entangled cords increase the risk of electric shock.
- ▶ **When operating a power tool outdoors, use an extension cord suitable for outdoor use.** Use of a cord suitable for outdoor use reduces the risk of electric shock.
- ▶ **If operating a power tool in a damp location is unavoidable, use a residual current device (RCD) protected supply.** Use of an RCD reduces the risk of electric shock.

Personal safety

- ▶ **Stay alert, watch what you are doing and use common sense when operating a power tool. Do not use a power tool while you are tired or under the influence of drugs, alcohol or medication.** A moment of inatten-

tion while operating power tools may result in serious personal injury.

- ▶ **Use personal protective equipment. Always wear eye protection.** Protective equipment such as a dust mask, non-skid safety shoes, hard hat or hearing protection used for appropriate conditions will reduce personal injuries.
- ▶ **Prevent unintentional starting. Ensure the switch is in the off-position before connecting to power source and/or battery pack, picking up or carrying the tool.** Carrying power tools with your finger on the switch or energising power tools that have the switch on invites accidents.
- ▶ **Remove any adjusting key or wrench before turning the power tool on.** A wrench or a key left attached to a rotating part of the power tool may result in personal injury.
- ▶ **Do not overreach. Keep proper footing and balance at all times.** This enables better control of the power tool in unexpected situations.
- ▶ **Dress properly. Do not wear loose clothing or jewellery. Keep your hair and clothing away from moving parts.** Loose clothes, jewellery or long hair can be caught in moving parts.
- ▶ **If devices are provided for the connection of dust extraction and collection facilities, ensure these are connected and properly used.** Use of dust collection can reduce dust-related hazards.
- ▶ **Do not let familiarity gained from frequent use of tools allow you to become complacent and ignore tool safety principles.** A careless action can cause severe injury within a fraction of a second.

Power tool use and care

- ▶ **Do not force the power tool. Use the correct power tool for your application.** The correct power tool will do the job better and safer at the rate for which it was designed.
- ▶ **Do not use the power tool if the switch does not turn it on and off.** Any power tool that cannot be controlled with the switch is dangerous and must be repaired.
- ▶ **Disconnect the plug from the power source and/or remove the battery pack, if detachable, from the power tool before making any adjustments, changing accessories, or storing power tools.** Such preventive safety measures reduce the risk of starting the power tool accidentally.
- ▶ **Store idle power tools out of the reach of children and do not allow persons unfamiliar with the power tool or these instructions to operate the power tool.** Power tools are dangerous in the hands of untrained users.
- ▶ **Maintain power tools and accessories. Check for misalignment or binding of moving parts, breakage of parts and any other condition that may affect the power tool's operation. If damaged, have the power tool repaired before use.** Many accidents are caused by poorly maintained power tools.

- ▶ **Keep cutting tools sharp and clean.** Properly maintained cutting tools with sharp cutting edges are less likely to bind and are easier to control.
- ▶ **Use the power tool, accessories and tool bits etc. in accordance with these instructions, taking into account the working conditions and the work to be performed.** Use of the power tool for operations different from those intended could result in a hazardous situation.
- ▶ **Keep handles and grasping surfaces dry, clean and free from oil and grease.** Slippery handles and grasping surfaces do not allow for safe handling and control of the tool in unexpected situations.

Service

- ▶ **Have your power tool serviced by a qualified repair person using only identical replacement parts.** This will ensure that the safety of the power tool is maintained.

Safety instructions for metal shears

- ▶ **This power tool is not suitable for bench-mounted use.** It must not be clamped into a vice or fastened to a workbench, for example.
- ▶ **Only carry out work with a fitted chip deflector. Make sure that the chip deflector is not damaged or bent out of shape.** Working without a chip deflector or with a damaged chip deflector poses a risk of injury. Have a damaged chip deflector replaced immediately by an authorised after-sales service centre for **Bosch** power tools.
- ▶ **Wear protective gloves during work and pay particular attention to the cord. Make sure that cut sheet parts are not bent towards your body or the cord.** Sharp burrs develop on the cut sheets; these can cause injury or damage the cord. When necessary and while wearing gloves, press bending sheet parts away from your body and/or from the cord.

Products sold in GB only:

Your product is fitted with an BS 1363/A approved electric plug with internal fuse (ASTA approved to BS 1362).

If the plug is not suitable for your socket outlets, it should be cut off and an appropriate plug fitted in its place by an authorised customer service agent. The replacement plug should have the same fuse rating as the original plug.

The severed plug must be disposed of to avoid a possible shock hazard and should never be inserted into a mains socket elsewhere.

Product Description and Specifications



Read all the safety and general instructions.

Failure to observe the safety and general instructions may result in electric shock, fire and/or serious injury.

Please observe the illustrations at the beginning of this operating manual.

Intended Use

The power tool is intended for cutting sheet metals without incurring any loss from chipping. It is suitable for straight and curved cuts.

Product features

The numbering of the product features refers to the diagram of the power tool on the graphics page.

- (1) On/off switch
- (2) Chip deflector
- (3) Auxiliary handle
- (4) Screw on auxiliary handle
- (5) Auxiliary handle mount
- (6) Set screw for upper cutter
- (7) Striker
- (8) Upper cutter
- (9) Fastening screw for upper cutter
- (10) Bottom cutter
- (11) Set screw for bottom cutter
- (12) Fastening screw for bottom cutter
- (13) Setting gauge

Technical Data

Sheet metal shears	GSC 2,8	
Article number		0 601 506 1..
Rated power input	W	500
Power output	W	270
No-load stroke rate n_0	min^{-1}	2400
Stroke speed under load	min^{-1}	1500
Max. steel sheet cutting capacity ^{A)}	mm	2.8
Weight according to EPTA-Procedure 01:2014	kg	2.7
Protection class		□/II

A) Refers to steel sheets of up to 400 N/mm²
The specifications apply to a rated voltage [U] of 230 V. These specifications may vary at different voltages and in country-specific models.

Assembly

Fastening the auxiliary handle (see figure A)

Unscrew the screw (4) out of the auxiliary handle (3) until the auxiliary handle fits into the auxiliary handle mount (5). Slide the auxiliary handle (3) into the auxiliary handle mount (5). Tighten the auxiliary handle by turning it clockwise.

Operation

- **Products that are only sold in AUS and NZ:** Use a residual current device (RCD) with a nominal residual current of 30 mA or less.

Starting Operation

- **Pay attention to the mains voltage. The voltage of the power source must match the voltage specified on the rating plate of the power tool. Power tools marked with 230 V can also be operated with 220 V.**

Switching On and Off

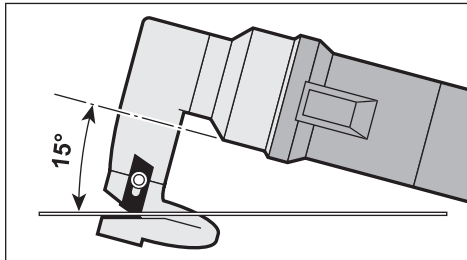
To **switch on** the power tool, slide the on/off switch **(1)** forwards so that **I** appears on the switch.

To **switch off** the power tool, slide the on/off switch **(1)** backwards so that **O** appears on the switch.

Working Advice

- **Pull the plug out of the socket before carrying out any work on the power tool.**
- **This power tool is not suitable for bench-mounted use.** It must not be clamped into a vice or fastened to a workbench, for example.
- **Wear protective gloves during work and pay particular attention to the cord. Make sure that cut sheet parts are not bent towards your body or the cord.** Sharp burrs develop on the cut sheets; these can cause injury or damage the cord. When necessary and while wearing gloves, press bending sheet parts away from your body and/or from the cord.

Apply the machine to the workpiece only when switched on.



Hold the power tool inclined at an angle of 15° to the surface of the steel sheet and do not tilt it laterally.

Guide the power tool evenly, pushing it gently in the cutting direction. Applying too much pressure to the power tool will significantly reduce the service life of application tools and can damage the power tool.

When cutting curves, make sure not to tilt the power tool laterally and work with low feed rate only.

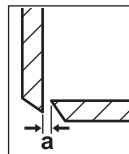
Maximum steel sheet cutting capacity

The maximum steel sheet cutting capacity d_{\max} depends on the strength properties of the material to be cut.

The power tool allows for cutting of metal sheet to the following thicknesses:

Material	max. strength (N/mm ²)	d_{\max} (mm)
Steel	400	2.8
	600	2.2
	800	1.9
Aluminium	200	3.5

Adjusting cutter clearance "a"



The cutter clearance **a** (gap between the cutters) depends on the sheet thickness d_{\max} to be cut.

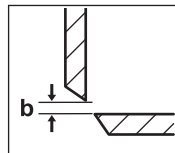
d_{\max} (mm)	Cutter clearance a (mm)
0.2–1.4	0.3
1.5–2.8	0.5

For softer or more ductile materials, the clearance **a** must be decreased; for harder or more brittle materials, it must be increased.

Loosen the fastening screw **(12)** for the bottom cutter. Adjust the requested cutter clearance **a** with the set screw **(11)** for the bottom cutter. The upper cutter **(8)** and the bottom cutter **(10)** may not touch each other.

Check the clearance with the setting gauge **(13)**. Retighten the fastening screw **(12)** for the bottom cutter.

Adjusting cutter clearance "b"



For adjustment of cutter clearance **b**, the stroke mechanism **(7)** of the upper cutter must be at the upper dead centre point. For this, briefly switch the power tool on and then immediately off again. If the stroke mechanism does not stop at the upper dead centre point, repeat the process.

Screw the set screw for the upper cutter **(6)** clockwise using a fitting pin. Loosen the fastening screw **(9)** of the upper cutter and adjust the upper cutter **(8)** in such a manner that the vertical clearance **b** between the upper and bottom cutter is 0.4 mm. Check the clearance with the setting gauge **(13)**.

Retighten the fastening screw **(9)** for the upper cutter.

Screw the set screw for the upper cutter **(6)** anticlockwise until it faces against the upper cutter **(8)**.

For softer or more ductile materials, the clearance **b** must be decreased; for harder or more brittle materials, it must be increased.

Maintenance and Service

Maintenance and Cleaning

- ▶ **Pull the plug out of the socket before carrying out any work on the power tool.**
- ▶ **To ensure safe and efficient operation, always keep the power tool and the ventilation slots clean.**

In order to avoid safety hazards, if the power supply cord needs to be replaced, this must be done by **Bosch** or by an after-sales service centre that is authorised to repair **Bosch** power tools.

Changing the bottom cutter (see figure B)

Unscrew the set screw **(11)** of the bottom cutter. Fully unscrew the fastening screw **(12)** of the bottom cutter and remove the bottom cutter **(10)**.

Insert a new bottom cutter **(10)** into the recess of the chip deflector **(2)**. Fasten the bottom cutter with the fastening screw **(12)**.

Check the cutter clearance **a** as described above.

Changing the upper cutter (see figure B)

Both sides of the upper cutter **(8)** can be used.

Fully unscrew the fastening screw **(9)** of the upper cutter and remove the upper cutter **(8)**.

Turn the upper cutter **(8)** as shown in the figure **B** or place a new upper cutter against the striker **(7)**. Fasten the upper cutter with the fastening screw **(9)**.

Check the cutter clearance **b** as described above.

Regrinding the cutter (see figure C)

Replace or regrind worn cutters in good time. Only sharp tools achieve good cutting capacity and make the machine last longer.

When regrinding the cutters, take care that the cutting angles are maintained.

Check the cutting angle with the setting gauge **(13)**.

Accessories/replacement parts

Cutter set	2 607 010 025
Setting gauge	2 607 970 001
Hex key (width across flats 5 mm)	1 907 950 006
Hex key (width across flats 2.5 mm)	1 907 950 003

After-Sales Service and Application Service

Our after-sales service responds to your questions concerning maintenance and repair of your product as well as spare parts. You can find explosion drawings and information on spare parts at: **www.bosch-pt.com**

The Bosch product use advice team will be happy to help you with any questions about our products and their accessories.

In all correspondence and spare parts orders, please always include the 10-digit article number given on the nameplate of the product.

Cambodia

Robert Bosch (Cambodia) Co., Ltd
Unit 8BC, GT Tower, 08th Floor, Street 169,
Czechoslovakia Blvd, Sangkat Veal Vong
Khan 7 Makara, Phnom Penh
VAT TIN: 100 169 511
Tel.: +855 23 900 685
Tel.: +855 23 900 660
www.bosch.com.kh

People's Republic of China China Mainland

Bosch Power Tool (China) Co. Ltd.
Bosch Service Center
567, Bin Kang Road
Bin Kang District
Hangzhou, Zhejiang Province
China 310052
Tel.: (0571) 8887 5566 / 5588
Fax: (0571) 8887 6688 x 5566# / 5588#
E-Mail: bsc.hz@cn.bosch.com
www.bosch-pt.com.cn

HK and Macau Special Administrative Regions

Robert Bosch Co. Ltd.
21st Floor, 625 King's Road
North Point, Hong Kong
Customer Service Hotline: +852 2101 0235
Fax: +852 2590 9762
E-Mail: info@hk.bosch.com
www.bosch-pt.com.hk

India

Bosch Service Center
69, Habibullah Road, (Next to PSBB School), T. Nagar
Chennai-600077
Phone: (044) 64561816
Bosch Service Center
18, Community Center
Phase 1, Mayapuri
New Delhi-110064
Phone: (011) 43166190

Indonesia

PT Robert Bosch
Palma Tower 10th Floor
Jalan RA Kartini II-S Kaveling 6
Pondok Pinang, Kebayoran Lama
Jakarta Selatan 12310
Tel.: (21) 3005-5800
www.bosch-pt.co.id

Malaysia

Robert Bosch Sdn. Bhd.(220975-V) PT/SMY
No. 8A, Jalan 13/6
46200 Petaling Jaya
Selangor
Tel.: (03) 79663194
Toll-Free: 1800 880188
Fax: (03) 79583838
E-Mail: kiathoe.chong@my.bosch.com
www.bosch-pt.com.my

Pakistan

Robert Bosch Middle East FZE – Pakistan Liaison Office
 2nd Floor Plaza # 10, CCA Block, DHA Phase 5
 Lahore, 54810
 Phone: +92(303)4444311
 Email: Faisal.Khan@bosch.com

Philippines

Robert Bosch, Inc.
 28th Floor Fort Legend Towers,
 3rd Avenue corner 31st Street,
 Fort Bonifacio, Global City,
 1634 Taguig City
 Tel.: (632) 8703871
 Fax: (632) 8703870
 www.bosch-pt.com.ph

Singapore

Powerwell Service Centre Ptd Ltd
 Bosch Authorised Service Centre (Power Tools)
 4012 Ang Mo Kio Ave 10, #01-02 TECHplace
 Singapore 569628
 Tel.: 6452 1770
 Fax: 6452 1760
 E-Mail: ask@powerwellsc.com
 www.powerwellsc.com
 www.bosch-pt.com.sg

Thailand

Robert Bosch Ltd.
 FYI Center Tower 1, 5th Floor,
 2525 Rama IV Road, Klongtoei,
 Bangkok 10110
 Tel.: 02 0128888
 Fax: 02 0645802
 www.bosch.co.th

Bosch Service – Training Centre
 La Salle Tower Ground Floor Unit No.2
 10/11 La Salle Moo 16
 Srinakharin Road
 Bangkaew, Bang Plee
 Samutprakarn 10540
 Tel.: 02 7587555
 Fax: 02 7587525

Vietnam

Branch of Bosch Vietnam Co., Ltd in HCMC
 14th floor, Deutsches Haus, 33 Le Duan
 Ben Nghe Ward, District 1, Ho Chi Minh City
 Tel.: (028) 6258 3690
 Fax: (028) 6258 3692 - 6258 3694
 Hotline: (028) 6250 8555
 Email: tuvankhachhang-pt@vn.bosch.com
 www.bosch-pt.com.vn

Bahrain

EA Juffali and Brothers for Technical Equipment Company.
 Kingdom of Bahrain, Al Aker - Block 0624 - Road 2403 -
 Building 0055D
 Phone: +97317704537
 Fax: +973177045257
 Email: h.berjas@ejab.com.sa

Egypt

RBEG-LLC
 22 Kamal Eldin Hussein
 Sheraton Heliopolis
 11799 Cairo
 E-mail: boschegypt.powertools@eg.bosch.com

Iran

Robert Bosch Iran
 3rd Floor, No 3, Maadiran Building
 Aftab St., Khodami St., Vanak Sq.
 Tehran 1994834571
 Phone: +9821- 86092057

Iraq

Sahba Technology Group
 Al Muthana airport road
 Baghdad
 Phone Bagdad: +964 (0) 7 901 930366
 Phone Dubai: +971 (0) 4 422 1898
 Email: duraid@sahbatechnology.com

Jordan

Roots Arabia – Jordan
 Al-Hurriyah Street, Al-Muqabalein
 Amman 11623, Jordan
 P.O. Box: 110068
 Tel. : +962 6 4398990
 E-mail: bosch@rootsjordan.com

Kuwait

Shuwaikh Industrial Area, Block 1, Plot 16, Street 3rd
 P.O. Box 164 – Safat 13002
 Phone: +965 - 2496 88 88
 Fax: +965 - 2481 08 79
 E-mail: josephkr@aaalmutawa.com

Lebanon

Tehini Hana & Co. S.A.R.L.
 P.O. Box 90-449
 Jdeideh 1202 2040
 Dora-Beirut
 Phone: +9611255211
 Email: service-pt@tehini-hana.com

Libya

El Naser for Workshop Tools
 Swanee Road, Alfalah Area
 Tripoli
 Phone: +218 21 4811184

Oman

Malatan Trading & Contracting LLC
 P.O. Box 131, Ruwi, Muscat
 Postal Code: 112, Sultanate of Oman
 Phone: +968 2479 4035/4089/4901
 Mob: +968-91315465
 Fax: +968 2479 4058
 E-Mail: sudhirkumar@malatan.net

Qatar

International Construction Solutions W L L
 P. O. Box 51, Doha
 Phone: +974 40065458

Fax: +974 4453 8585
Email: csd@icsdoha.com

Saudi Arabia

Juffali Technical Equipment Co. (JTECO)
P.O.Box: 1049 – Jeddah 21431 – KSA
Jeddah: 00966 (0) 12 692 0770 – Ext 433
Riyadh: 00966 (0) 11 409 3976 – Ext-30/34/39
Dammam: 00966 (0) 13 833 9565
E-mail: M.Zreik@eajb.com.sa

Syria

Dallal Establishment for Power Tools
Damascus. Baramkeh street - Ibn Amer street,
Phone: +963112241006 or 009631122414009
Mobile: 00963991141005
Email: rita.dallal@hotmail.com

United Arab Emirates

Central Motors & Equipment,
P.O. Box 26255, Dubai
Dubai: 00971 (0) 4 3090920/3090930
Abu Dhabi: 00971 (0) 2 4017745
Sharjah: 00971 (0) 6 5932777
Al Ain: 00971 (0) 3 7157419
E-Mail: Mallappa.Madari@centralsmotors.ae

Yemen

Abu Alrejal Trading Corporation
P.O. Box : 17024 , Zubeiry St.
Sana'a, Yemen
Tel: +967-1-20 20 10
Fax: +967-1-47 19 17
E-mail: tech-tools@abualrejal.com/yahya@abualrejal.com

Ethiopia

Forever plc
Kebele 2,754, BP 4806,
Addis Ababa
Phone: +251 111 560 600
Email: foreverplc@ethionet.et

Ghana

Robert Bosch Ghana Limited
21 Kofi Annan Road Airport Residential Area Accra
Tel. +233 (0)3027 94616

Kenya

Robert Bosch East Africa Ltd
Mpaka Road P.O. Box 856
00606 Nairobi

Nigeria

Robert Bosch Nigeria Ltd.
52-54 Isaac John Street P.O. Box
GRA Ikeja – Lagos

Tanzania

Diesel & Autoelectric Service Ltd.
117 Nyerere Rd., P.O. Box 70839
Vingunguti 12109, Dar Es Salaam
Phone: +255 222 861 793/794

Australia, New Zealand and Pacific Islands

Robert Bosch Australia Pty. Ltd.
Power Tools
Locked Bag 66
Clayton South VIC 3169
Customer Contact Center
Inside Australia:
Phone: (01300) 307044
Fax: (01300) 307045
Inside New Zealand:
Phone: (0800) 543353
Fax: (0800) 428570
Outside AU and NZ:
Phone: +61 3 95415555
www.bosch-pt.com.au
www.bosch-pt.co.nz

Republic of South Africa Customer service

Hotline: (011) 6519600

Gauteng – BSC Service Centre

35 Roper Street, New Centre
Johannesburg
Tel.: (011) 4939375
Fax: (011) 4930126
E-Mail: bsctools@icon.co.za

KZN – BSC Service Centre

Unit E, Almar Centre
143 Crompton Street
Pinetown
Tel.: (031) 7012120
Fax: (031) 7012446
E-Mail: bsc.dur@za.bosch.com

Western Cape – BSC Service Centre

Democracy Way, Prosperity Park
Milnerton
Tel.: (021) 5512577
Fax: (021) 5513223
E-Mail: bsc@zsd.co.za

Bosch Headquarters

Midrand, Gauteng
Tel.: (011) 6519600
Fax: (011) 6519880
E-Mail: rbsa-hq.pts@za.bosch.com

Armenia, Azerbaijan, Georgia

Robert Bosch Ltd.
David Agmashenebeli ave. 61
0102 Tbilisi, Georgia
Tel. +995322510073
www.bosch.com

Kyrgyzstan, Mongolia, Tajikistan, Turkmenistan, Uzbekistan

TOO "Robert Bosch" Power Tools, After Sales Service
Muratbaev Ave., 180
050012, Almaty, Kazakhstan
Service Email: service.pt.ka@bosch.com
Official Website: www.bosch.com, www.bosch-pt.com

Disposal

The power tool, accessories and packaging should be recycled in an environmentally friendly manner.



Do not dispose of power tools along with household waste.

中文

安全规章

电动工具通用安全警告

警告！ 阅读所有警告和所有说明！不遵照以下警告和说明会导致电

击、着火和 / 或严重伤害。

保存所有警告和说明书以备查阅。

在所有下列的警告中术语“电动工具”指市电驱动（有线）电动工具或电池驱动（无线）电动工具。

工作场地的安全

- ▶ 保持工作场地清洁和明亮。混乱和黑暗的场地会引发事故。
- ▶ 不要在易爆环境，如有易燃液体、气体或粉尘的环境下操作电动工具。电动工具产生的火花会点燃粉尘或气体。
- ▶ 让儿童和旁观者离开后操作电动工具。注意力不集中会使操作者失去对工具的控制。

电气安全

- ▶ 电动工具插头必须与插座相配。绝不能以任何方式改装插头。需接地的电动工具不能使用任何转换插头。未经改装的插头和相配的插座将减少电击危险。
- ▶ 避免人体接触接地表面，如管道、散热片和冰箱。如果你身体接地会增加电击危险。
- ▶ 不得将电动工具暴露在雨中或潮湿环境中。水进入电动工具将增加电击危险。
- ▶ 不得滥用电线。绝不能用电线搬运、拉动电动工具或拔出其插头。使电线远离热源、油、锐边或运动部件。受损或缠绕的软线会增加电击危险。
- ▶ 当在户外使用电动工具时，使用适合户外使用的外接软线。适合户外使用的软线将减少电击危险。
- ▶ 如果在潮湿环境下操作电动工具是不可避免的，应使用剩余电流动作保护器（RCD）。使用RCD可减小电击危险。

人身安全

- ▶ 保持警觉，当操作电动工具时关注所从事的操作并保持清醒。当你感到疲倦，或在有药物、酒精或治疗反应时，不要操作电动工具。在操作电动工具时瞬间的疏忽会导致严重人身伤害。

- ▶ 使用个人防护装置。始终佩戴护目镜。安全装置，诸如适当条件下使用防尘面具、防滑安全鞋、安全帽、听力防护等装置能减少人身伤害。
- ▶ 防止意外启动。确保开关在连接电源和 / 或电池盒、拿起或搬运工具时处于关断位置。手指放在已接通电源的开关上或开关处于接通时插入插头可能会导致危险。
- ▶ 在电动工具接通之前，拿掉所有调节钥匙或扳手。遗留在电动工具旋转零件上的扳手或钥匙会导致人身伤害。
- ▶ 手不要伸展得太长。时刻注意立足点和身体平衡。这样在意外情况下能很好地控制电动工具。
- ▶ 着装适当。不要穿宽松衣服或佩戴饰品。让衣服、手套和头发远离运动部件。宽松衣服、配饰或长发可能会卷入运动部件中。
- ▶ 如果提供了与排屑、集尘设备连接用的装置，要确保他们连接完好且使用得当。使用这些装置可减少尘屑引起的危险。
- ▶ 即使由于经常使用电动工具而对此非常熟悉，也不要就认为可以高枕无忧而忽略工具的安全规定。粗心大意的行为可能在瞬间就造成严重的伤害。

电动工具使用和注意事项 电动工具使用和注意事项

- ▶ 不要滥用电动工具，根据用途使用适当的电动工具。选用适当设计的电动工具会使你工作更有效、更安全。
- ▶ 如果开关不能接通或关断工具电源，则不能使用该电动工具。如果开关不能接通或关断工具电源，则不能使用该电动工具。
- ▶ 在进行任何调节、更换附件或贮存电动工具之前，必须从电源上拔掉插头和 / 或使电池盒与工具脱开。这种防护性措施将减少工具意外起动的危险。
- ▶ 将闲置不用的电动工具贮存在儿童所及范围之外，并且不要让不熟悉电动工具或对这些说明不了解的人操作电动工具。电动工具在未经培训的用户手中是危险的。
- ▶ 保养电动工具。检查运动件是否调整到位或卡住，检查零件破损情况和影响电动工具运行的其他状况。如有损坏，电动工具应在使用前修理好。许多事故由维护不良的电动工具引发。
- ▶ 保持切削刀具锋利和清洁。保养良好的有锋利切削刃的刀具不易卡住而且容易控制。
- ▶ 按照使用说明书，考虑作业条件和进行的作业来使用电动工具、附件和工具的刀头等。将电动工具用于那些与其用途不符的操作可能会导致危险。
- ▶ 保持手柄和握持表面干燥、清洁、无油污。在突发情况下，滑溜的手柄和握持表面无法确保安全地握持和控制工具。

维修

- ▶ 将你的电动工具送交专业维修人员，使用同样的备件进行修理。这样将确保所维修的电动工具的安全性。

针对金属电剪的安全规章

- ▶ **本电动工具不适合固定式应用。** 例如不允许夹在虎钳上或固定在工作台上。
- ▶ **只能在安装有导屑器的情况下进行操作。注意，导屑器不能损坏或折弯。** 如果未使用导屑器或者使用了损坏的导屑器可能被割伤。导屑器如果损坏了，必须马上把机器交给博世授权的**Bosch**顾客服务处更换导屑器。
- ▶ **操作时请戴上手套，而且要特别注意电线。注意，经过切剪的板件不要朝着人体或电线方向弯折。** 经过切剪的板材有锋利的毛刺，可能割伤您或割坏电线。必要时用手套按压弯折的板件，让它们远离身体或电线。

产品和性能说明



请阅读所有安全规章和指示。不遵照以下警告和说明可能导致电击、着火和/或严重伤害。

请注意本使用说明书开头部分的图示。

按照规定使用

本电动工具适合切剪铁片，不会产生切屑。本电动工具可以剪曲线和直线。

插图上的机件

机件的编号和电动工具详解图上的编号一致。

- (1) 电源开关
- (2) 导屑器
- (3) 辅助手柄
- (4) 辅助手柄上的螺栓
- (5) 辅助手柄接头
- (6) 上刀片调整螺栓
- (7) 冲杆
- (8) 上刀片
- (9) 上刀片固定螺栓
- (10) 下刀片
- (11) 下刀片调整螺栓
- (12) 下刀片固定螺栓
- (13) 调整规

技术参数

金属电剪		GSC 2,8
物品代码		0 601 506 1..
额定输入功率	瓦	500
输出功率	瓦	270
空载转速 n_0	转/分	2400
负载冲击次数	次/分	1500
金属板的最大切剪厚度 ^{A)}	毫米	2.8

金属电剪 GSC 2,8

重量符合 EPTA-Procedure 01:2014	公斤	2.7
保护等级		□/II

A) 针对400牛顿/平方毫米的钢板
所有参数适用于230伏的额定电压[U]，对于其他不同的电压和国际规格，数据有可能不同。

安装

固定辅助手柄（参见插图A）

拧出辅助手柄(3)上的螺栓(4)，直至辅助手柄进入接头(5)中。

将辅助手柄(3)推入接头(5)中。沿顺时针方向拧紧辅助手柄。

运行

投入使用

- ▶ **注意电源电压！** 电源的电压必须和电动工具铭牌上标示的电压一致。标记为230伏电动工具用220伏的电压可以驱动。

电源开关

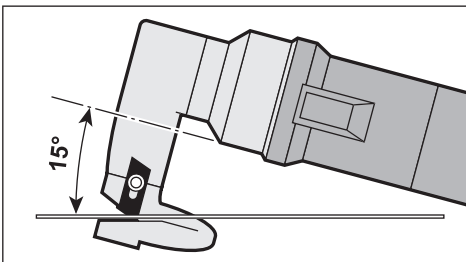
接通电动工具时，需要向前推动电源开关(1)，使开关上出现I符号。

关闭电动工具时，需要向后推动电源开关(1)，使开关上出现0符号。

工作提示

- ▶ **在电动工具上进行所有操作之前都必须从插座上拔出电源插头。**
- ▶ **本电动工具不适合固定式应用。** 例如不允许夹在虎钳上或固定在工作台上。
- ▶ **操作时请戴上手套，而且要特别注意电线。注意，经过切剪的板件不要朝着人体或电线方向弯折。** 经过切剪的板材有锋利的毛刺，可能割伤您或割坏电线。必要时用手套按压弯折的板件，让它们远离身体或电线。

开动电动工具后再把工具放在工件上加工。



与金属板表面呈15°的方式握着电动工具，不可以让其单侧倾斜。

所以操作电动工具时必须施力均匀，并朝着切割方向轻轻推动。推动电动工具时如果用力过猛，不但

会明显降低工具刀头的使用寿命，而且可能损坏电动工具。

割剪弯角时必须特别留心，不可以让电动工具单侧倾斜，只须轻轻推进即可。

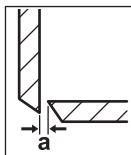
金属板的最大切剪厚度

金属板的最大切剪厚度 d_{\max} 取决于待加工材料的强度。

本电动工具能够切剪下列厚度的金属板：

物料	最大强度 (牛顿/平方毫米)	d_{\max} (毫米)
钢	400	2.8
	600	2.2
	800	1.9
铝	200	3.5

调整刀片距离a



刀片距离 a （刀刃之间的空隙）取决于待加工的金属板厚度 d_{\max} 。

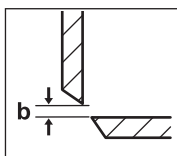
d_{\max} (毫米)	刀片距离 a (毫米)
0.2-1.4	0.3
1.5-2.8	0.5

针对较软或坚韧的材料需缩小刀片距离 a ，针对较硬或较脆的材料需扩大刀片距离。

松开下刀片的固定螺栓(12)。用调整螺栓(11)调整需要的刀片距离 a 。上刀片(8)和下刀片(10)不允许相互接触。

用调节尺(13)检查该距离。再次拧紧下刀片的固定螺栓(12)。

调节刀片距离b



调节刀片距离 b 时上刀片冲杆(7)必须位于上死点。为此将电动工具短暂开机，然后重新关闭。必要时重复该过程。

用一根销子顺时针拧入上刀片的调整螺栓(6)。松开上刀片的固定螺栓(9)，调节上刀片(8)，直至上刀片与下刀片之间的垂直距离 b 为0.4毫米。用调节尺(13)检查该距离。

再次拧紧上刀片的固定螺栓(9)。用一根销子逆时针旋转调整螺栓(6)，直到其撞到上刀片(8)。

针对较软或坚韧的材料需缩小刀片距离 b ，针对较硬或较脆的材料需扩大刀片距离。

维修和服务

维护和清洁

- ▶ 在电动工具上进行所有操作之前都必须从插座上拔出电源插头。
- ▶ 电动工具和通气孔必须随时保持清洁，以确保工作效率和工作安全。

如果必须更换连接线，务必把这项工作交给Bosch或者经授权的Bosch电动工具顾客服务执行，以避免危害机器的安全性能。

更换下刀片（参见插图B）

旋出下刀片的调整螺栓(11)。完全拧出下刀片的固定螺栓(12)，然后取出下刀片(10)。

将新的下刀片(10)装入导屑器(2)的凹槽中。用固定螺栓(12)固定下刀片。

请按上面的说明检查刀片距离 a 。

更换上刀片（参见插图B）

上刀片(8)两面都可以使用。

完全拧出上刀片的固定螺栓(9)，然后取出上刀片(8)。

如图B所示旋转上刀片(8)，或将新的上刀片装到冲杆(7)上。用固定螺栓(9)固定上刀片。

请按上面的说明检查刀片距离 b 。

修磨刀片（参见插图C）

刀片磨钝后应及时更换或修磨刀片，因为只有锋利的刀具才能实现良好的切割效果并保护电动工具。

修磨刀片时注意保持切割角度。

用调节尺(13)检查切割角度。

附件/备件

套装刀片	2 607 010 025
调整规	2 607 970 001
内六角扳手 (扳手开口度5毫米)	1 907 950 006
内六角扳手 (扳手开口度2.5毫米)	1 907 950 003

客户服务和应用咨询

本公司顾客服务处负责回答有关本公司产品的修理、维护和备件的问题。备件的展开图纸和信息也可查看：www.bosch-pt.com 博世应用咨询团队乐于就我们的产品及其附件问题提供帮助。

询问和订购备件时，务必提供机器铭牌上标示的10位数物品代码。

香港和澳门特别行政区

罗伯特博世有限公司
香港北角英皇道625号，21楼
客户服务热线：+852 2101 0235
传真：+852 2590 9762
电子邮件：info@hk.bosch.com
www.bosch-pt.com.hk

中国大陆

博世电动工具（中国）有限公司
 中国 浙江省 杭州市
 滨江区 滨康路567号
 102/1F 服务中心
 邮政编码：310052
 电话：(0571)8887 5566 / 5588
 传真：(0571)8887 6688 x 5566# / 5588#
 电邮：bsc.hz@cn.bosch.com
 www.bosch-pt.com.cn

制造商地址：

Robert Bosch Power Tools GmbH
 罗伯特·博世电动工具有限公司
 70538 Stuttgart / GERMANY
 70538 斯图加特 / 德国

处理废弃物

必须以符合环保要求的方式回收再利用电动工具、附件和包装材料。



请勿将电动工具扔到生活垃圾中！

繁體中文**安全注意事項****電動工具一般安全注意事項**

警告 請詳讀工作臺及電動工具的所有安全警告與使用說明。若不遵照以下列出的指示，將可能導致電擊、著火和/或人員重傷。

保存所有警告和說明書以備查閱。

在所有警告中，「電動工具」此一名詞泛指：以市電驅動的（有線）電動工具或是以電池驅動的（無線）電動工具。

工作場地的安全

- ▶ 保持工作場地清潔和明亮。混亂和黑暗的場地會引發事故。
- ▶ 不要在易爆環境，如有易燃液體、氣體或粉塵的環境下操作電動工具。電動工具產生的火花會點燃粉塵或氣體。
- ▶ 讓兒童和旁觀者離開後操作電動工具。注意力不集中會使您失去對工具的控制。

電氣安全

- ▶ 電動工具插頭必須與插座相配。絕不能以任何方式改裝插頭。需接地的電動工具不能使用任何轉換插頭。未經改裝的插頭和相配的插座將減少電擊危險。
- ▶ 避免人體接觸接地表面，如管道、散熱片和冰箱。如果您身體接地會增加電擊危險。

- ▶ 不得將電動工具暴露在雨中或潮濕環境中。水進入電動工具將增加電擊危險。
- ▶ 不得濫用電線。絕不能用電線搬運、拉動電動工具或拔出其插頭。使電線遠離熱源、油、銳利邊緣或移動零件。受損或纏繞的軟線會增加電擊危險。
- ▶ 當在戶外使用電動工具時，使用適合戶外使用的延長線。適合戶外使用的軟線，將減少電擊危險。
- ▶ 如果在潮濕環境下操作電動工具是不可避免的，應使用剩餘電流動作保護器（RCD）。使用RCD可降低電擊危險。

人身安全

- ▶ 保持警覺，當操作電動工具時關注所從事的操作並保持清醒。當您感到疲倦，或在有藥物、酒精或治療反應時，不要操作電動工具。在操作電動工具時瞬間的疏忽會導致嚴重人身傷害。
- ▶ 使用個人防護裝置。始終佩戴護目鏡。安全裝置，諸如適當條件下使用防塵面具、防滑安全鞋、安全帽、聽力防護等裝置能減少人身傷害。
- ▶ 防止意外起動。確保開關在連接電源和/或電池盒、拿起或搬運工具時處於關閉位置。手指放在已接通電源的開關上或開關處於接通時插入插頭可能會導致危險。
- ▶ 在電動工具接通之前，拿掉所有調節鑰匙或扳手。遺留在電動工具旋轉零件上的扳手或鑰匙會導致人身傷害。
- ▶ 手不要伸展得太長。時刻注意立足點和身體平衡。這樣在意外情況下能很好地控制電動工具。
- ▶ 著裝適當。不要穿寬鬆衣服或佩戴飾品。讓您的衣物及頭髮遠離運動部件。寬鬆衣服、佩飾或長髮可能會捲入運動部件中。
- ▶ 如果提供了與排屑、集塵設備連接用的裝置，要確保他們連接完好且使用得當。使用這些裝置可減少塵屑引起的危險。
- ▶ 切勿因經常使用工具所累積的熟練感而過度自信，輕忽工具的安全守則。任何一個魯莽的舉動都可能瞬間造成人員重傷。

電動工具使用和注意事項

- ▶ 不要濫用電動工具，根據用途使用適當的電動工具。選用適當設計的電動工具會使您工作更有效、更安全。
- ▶ 如果開關不能開啟或關閉工具電源，則不能使用該電動工具。不能用開關來控制的電動工具是危險的且必須進行修理。
- ▶ 在進行任何調整、更換配件或貯存電動工具之前，必須從電源上拔掉插頭並/或取出電池盒。這種防護性措施將減少工具意外起動的危險。
- ▶ 將閒置不用的電動工具貯存在兒童所及範圍之外，並且不要讓不熟悉電動工具或對這些說明不瞭解的人操作電動工具。電動工具在未經培訓的用戶手中是危險的。
- ▶ 保養電動工具與配備。檢查運動件是否調整到位或卡住，檢查零件破損情況和影響電動工具運行的其他狀況。如有損壞，電動工具應在使用前修理好。許多事故由維護不良的電動工具引發。

- ▶ 保持切削刀具鋒利和清潔。保養良好的有鋒利切削刃的刀具不易卡住而且容易控制。
- ▶ 按照使用說明書，考慮作業條件和進行的作業來使用電動工具、配件和工具的头頭等。將電動工具用於那些與其用途不符的操作可能會導致危險。
- ▶ 把手及握持區應保持乾燥、潔淨，且不得沾染任何油液或油脂。易滑脫的把手及握持區將無法讓您在發生意外狀況時安全地抓緊並控制工具。

檢修

- ▶ 將您的電動工具送交專業維修人員，必須使用同樣的備件進行更換。這樣將確保所維修的電動工具的安全性。

針對金屬電剪的安全規章

- ▶ 本電動工具並不適用於以不移動的方式進行加工。不得將它夾入老虎鉗或固定在工作桌上。
- ▶ 使用本裝置時，請務必裝上導屑器。請注意：導屑器不可有任何受損或扭曲變形。如果未使用導屑器或者使用了損壞的導屑器可能被割傷。導屑器如果損壞了，必須馬上把機器交給 Bosch 授權的顧客服務處更換導屑器。
- ▶ 工作期間請戴上防護手套並且請您特別留意電源線。請注意：鐵片切邊的彎折方向不得正對身體或電源線。剪下來的鐵片有尖銳的鐵刺。這些鐵刺可能割傷您或割壞電線。必要時的用手撥開剪下來的鐵片卷，讓它們遠離身體或電線。

產品和功率描述



請詳讀所有安全注意事項和指示。如未遵守安全注意事項與指示，可能導致火災、人員遭受電擊及／或重傷。
請留意操作說明書中最前面的圖示。

依規定使用機器

本電動工具適合剪切鐵片，不會產生切屑。本電動工具可以剪曲線和直線。

插圖上的機件

機件的編號和電動工具詳解圖上的編號一致。

- (1) 起停開關
- (2) 導屑器
- (3) 輔助手柄
- (4) 輔助手柄上的螺絲
- (5) 輔助手柄接頭
- (6) 上刀片的調整螺絲
- (7) 沖桿
- (8) 上刀片
- (9) 上刀片的固定螺絲
- (10) 下刀片
- (11) 下刀片的調整螺絲
- (12) 下刀片的固定螺絲

(13) 調整規尺

技術性數據

金屬電剪		GSC 2,8
產品機號		0 601 506 1..
額定輸入功率	W	500
輸出功率	W	270
無負載轉速 n_0	min^{-1}	2400
負載衝擊次數	min^{-1}	1500
可剪切的 ^{A)} 最大金屬板厚度	mm	2.8
重量符合 EPTA-Procedure 01:2014	kg	2.7
絕緣等級		□/II

A) 針對 400 N/mm² 的鋼板

本說明書提供的參數是以 230 伏特為依據，於低電壓地區，此數據有可能不同。

安裝

固定輔助手柄（請參考圖 A）

將輔助手柄 (3) 上的螺絲 (4) 旋出，直到輔助手柄吻合固定座 (5)。

將輔助手柄 (3) 推入固定座 (5)。將輔助手柄沿順時針方向旋緊。

操作

操作機器

- ▶ 請注意電源電壓！電源的電壓必須和電動工具銘牌上標示的電壓一致。標示為 230 V 的電動工具亦可接上 220 V 電源。

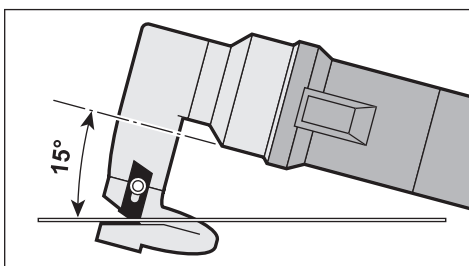
啟動／關閉

若要啟動電動工具，請將起停開關 (1) 往前推，此時開關上會出現 I 符號。

若要關閉電動工具，請將起停開關 (1) 往後推，此時開關上會出現 0 符號。

作業注意事項

- ▶ 維修電動工具或換裝零、配件之前，務必從插座上拔出插頭。
- ▶ 本電動工具並不適用於以不移動的方式進行加工。不得將它夾入老虎鉗或固定在工作桌上。
- ▶ 工作期間請戴上防護手套並且請您特別留意電源線。請注意：鐵片切邊的彎折方向不得正對身體或電源線。剪下來的鐵片有尖銳的鐵刺。這些鐵刺可能割傷您或割壞電線。必要時的用手撥開剪下來的鐵片卷，讓它們遠離身體或電線。
先啟動電動工具後再把它放置在工件上切割。



握持本電動工具時，它應前傾與金屬板表面呈 15° 傾角，而不應該側向傾斜。

所以操作機器時必須施力均勻，並朝著切割方向輕輕推動工具。操作機器時如果推力過猛會縮短鋸片的使用壽命，並且造成電動工具損壞。

剪切彎角時必須特別留心，不可以讓機器側向傾斜，並且只須輕輕推進機器即可。

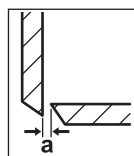
可剪切的最大金屬板厚度

可剪切的最大金屬板厚度 d_{\max} 需視欲加工之材料的強度而定。

本電動工具能夠剪切下列各種厚度的金屬板：

材料	最大強度 (N/mm^2)	d_{\max} (mm)
鋼材	400	2.8
	600	2.2
	800	1.9
鋁材	200	3.5

調整刀片間距 a



刀片間距 **a** (刀刃之間的空隙) 取決於欲加工之金屬板厚度 d_{\max} 。

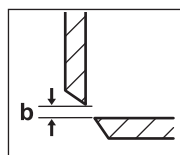
d_{\max} (mm)	刀片間距 a (mm)
0.2-1.4	0.3
1.5-2.8	0.5

加工較為軟韌的材質時，必須縮短刀片間距 **a**，反之，加工偏硬脆的材質時，則應拉大此間距。

鬆開下刀片的固定螺栓 (12)。利用調整螺栓 (11) 為刀片調出必要的間距 **a**。上刀片 (8) 與下刀片 (10) 不可彼此碰觸。

用調整規尺檢查間距 (13)。將下刀片的固定螺栓 (12) 重新鎖緊。

調整刀片間距 b



若要調整刀片間距 **b**，上刀片的沖桿 (7) 必須位於上止點。此外請快速啟動電動工具，然後再次關閉。必要時須重複此程序。

用插銷旋入上刀片的調整螺栓 (6)。鬆開上刀片的固定螺栓 (9)，調整上刀片 (8)，讓上下刀片的垂直距離 **b** 為 0.4 mm。用調整規尺檢查間距 (13)。

將上刀片的固定螺栓 (9) 重新鎖緊。用插銷逆時針旋轉調整螺栓 (6)，直到頂到上刀片 (8)。

加工較為軟韌的材質時，必須縮短刀片間距 **b**，反之，加工偏硬脆的材質時，則應拉大此間距。

維修和服務

維修和清潔

- ▶ 維修電動工具或換裝零、配件之前，務必從插座上拔出插頭。
- ▶ 電動工具和通風口都必須保持清潔，這樣才能夠提高工作品質和安全性。

如果必須更換連接線，請務必交由 **Bosch** 或者經授權的 **Bosch** 電動工具顧客服務執行，以避免危害機器的安全性能。

更換下刀片 (請參考圖 B)

旋出下刀片的調整螺栓 (11)。完全旋出下刀片的固定螺栓 (12)，然後取出下刀片 (10)。

將新的下刀片 (10) 裝入導屑器 (2) 的卡槽。用固定螺栓 (12) 固定下刀片。

依照前述之方式檢查刀片間距 **a**。

更換上刀片 (請參考圖 B)

上刀片 (8) 雙面皆可使用。

完全旋出上刀片的固定螺栓 (9)，然後取出上刀片 (8)。

按圖 B 所示旋轉上刀片 (8)，或將新的上刀片置於沖桿 (7) 上。用固定螺栓 (9) 固定上刀片。

依照前述之方式檢查刀片間距 **b**。

補磨刀片 (請參考圖 C)

如果刀片變鈍了，必須及時更換或補磨刀片。使用鋒利的刀片，不但能夠製造好的切剪效果，並且可以保護機器。

補磨刀片時必須注意，不可以改變切割角度。

用調整規尺 (13) 檢查切割角度。

配件/備用零件

刀具組	2 607 010 025
調整規尺	2 607 970 001
內六角扳手 (開口寬度 5 mm)	1 907 950 006
內六角扳手 (開口寬度 2.5 mm)	1 907 950 003

顧客服務處和顧客諮詢中心

本公司顧客服務處負責回答有關本公司產品的維修、維護和備用零件的問題。以下的網頁中有分解圖和備用零件相關資料：www.bosch-pt.com

如果對本公司產品及其配件有任何疑問，博世應用諮詢小組很樂意為您提供協助。

當您需要諮詢或訂購備用零件時，請務必提供本產品型號銘牌上 10 位數的產品機號。

中國香港和澳門特別行政區
 羅伯特·博世有限公司
 香港北角英皇道625號21樓
 客戶服務熱線：+852 2101 0235
 傳真：+852 2590 9762
 電子郵件：info@hk.bosch.com
 www.bosch-pt.com.hk

台灣
 台灣羅伯特博世股份有限公司
 建國北路一段90號6樓
 台北市10491
 電話：(02) 7734 2588
 傳真：(02) 2516 1176
 www.bosch-pt.com.tw

製造商地址：
 Robert Bosch Power Tools GmbH
 羅伯特·博世電動工具有限公司
 70538 Stuttgart / GERMANY
 70538 斯圖加特/德國

廢棄物處理

必須以符合環保的方式，回收再利用損壞的機器、配件和廢棄的包裝材料。



不可以把電動工具丟入一般的家庭垃圾中。

한국어

안전 수칙

전동공구 일반 안전 수칙

⚠경고 본 전동공구와 함께 제공된 모
 든 안전경고, 지시사항, 그림 및

사양을 숙지하십시오. 다음의 지시 사항을 준수하
 지 않으면 감전, 화재, 또는 심각한 부상을 초래할
 수 있습니다.

**앞으로 참고할 수 있도록 이 안전수칙과 사용 설명
 서를 잘 보관하십시오.**

다음에서 사용되는 "전동공구"라는 개념은 전원에
 연결하여 사용하는 (전선이 있는) 전동 기기나 배터
 리를 사용하는 (전선이 없는) 전동 기기를 의미합니
 다.

작업장 안전

- ▶ **작업장을 항상 깨끗이 하고 조명을 밝게 하십시
 오.** 작업장 환경이 어수선하거나 어두우면 사고
 를 초래할 수 있습니다.
- ▶ **가연성 유체, 가스 또는 분진이 있어 폭발 위험이
 있는 환경에서 전동공구를 사용하지 마십시오.**
 전동공구는 분진이나 증기에 점화하는 스파크를
 일으킬 수 있습니다.

- ▶ **전동공구를 사용할 때 구경꾼이나 어린이 혹은
 다른 사람이 작업장에 접근하지 못하게 하십시
 오.** 다른 사람이 주의를 산만하게 하면 기기에 대
 한 통제력을 잃기 쉽습니다.

전기에 관한 안전

- ▶ **전동공구의 전원 플러그가 전원 콘센트에 잘 맞
 아야 합니다.** 플러그를 절대 변경시켜서는 안 됩
 니다. (접지된) 전동공구를 사용할 때 어댑터 플
 러그를 사용하지 마십시오. 변형되지 않은 플러
 그와 잘 맞는 콘센트를 사용하면 감전의 위험을
 줄일 수 있습니다.
- ▶ **파이프 관, 라디에이터, 레인지, 냉장고와 같은 접
 지 표면에 몸이 닿지 않도록 하십시오.** 몸에 닿을
 경우 감전될 위험이 높습니다.
- ▶ **전동공구를 비에 맞지 않게 하고 습기 있는 곳에
 두지 마십시오.** 전동공구에 물이 들어가면 감전
 될 위험이 높습니다.
- ▶ **전원 코드를 잘못 사용하는 일이 없도록 하십시
 오.** 전원 코드를 잡고 전동공구를 운반해서는 안
 되며, 콘센트에서 전원 플러그를 뽑을 때 전원 코
 드를 잡아 당겨서는 절대로 안 됩니다. 전원 코드
 가 열과 오일에 접촉하는 것을 피하고, 날카로운
 모서리나 기기의 가동 부위에 닿지 않도록 주의
 하십시오. 손상되거나 영긴 전원 코드는 감전을
 유발할 수 있습니다.
- ▶ **실외에서 전동공구로 작업할 때는 실외용으로 적
 당한 연장 전원 코드만을 사용하십시오.** 실외용
 연장 전원 코드를 사용하면 감전의 위험을 줄일
 수 있습니다.
- ▶ **전동공구를 습기 찬 곳에서 사용해야 할 경우에
 는 누전 차단기를 사용하십시오.** 누전 차단기를
 사용하면 감전 위험을 줄일 수 있습니다.

사용자 안전

- ▶ **신중하게 작업하며, 전동공구를 사용할 때 경솔
 하게 행동하지 마십시오.** 피로한 상태이거나 약
 물 복용 및 음주한 후에는 전동공구를 사용하지
 마십시오. 전동공구를 사용할 때 잠이라도 주의
 가 산만해지면 중상을 입을 수 있습니다.
- ▶ **작업자 안전을 위한 장치를 사용하십시오.** 항상
 보안경을 착용하십시오. 전동공구의 종류와 사
 용에 따라 먼지 보호 마스크, 미끄러지지 않는 안
 전화, 안전모 또는 귀마개 등의 안전한 복장을 하
 면 상해의 위험을 줄일 수 있습니다.
- ▶ **실수로 기기가 작동되지 않도록 주의하십시오.**
 전동공구를 전원에 연결하거나 배터리를 끼우기
 전에, 혹은 기기를 들거나 운반하기 전에, 전원 스
 위치가 꺼져 있는지 다시 확인하십시오. 전동공
 구를 운반할 때 전원 스위치에 손가락을 대거나
 전원 스위치가 켜진 상태에서 전원을 연결하면
 사고 위험이 높습니다.
- ▶ **전동공구를 사용하기 전에 조절하는 톨이나 키
 등을 빼 놓으십시오.** 회전하는 부위에 있는 톨이
 나 키로 인해 상처를 입을 수 있습니다.
- ▶ **자신을 과신하지 마십시오.** 불안정한 자세를 피
 하고 항상 평형을 이룬 상태로 작업하십시오. 안
 정된 자세와 평형한 상태로 작업해야만이 의외의

상황에서도 전동공구를 안전하게 사용할 수 있습니다.

- ▶ **알맞은 작업복을 입으십시오.** 험령한 복장을 하거나 장신구를 착용하지 마십시오. 머리카락이 가동하는 기기 부위에 가까이 닿지 않도록 주의하십시오. 험령한 복장, 장신구 혹은 긴 머리카락은 부위에 말려 사고를 초래할 수 있습니다.
- ▶ **분진 추출장치나 수거장치의 조립이 가능한 경우, 이 장치가 연결되어 있는지, 제대로 작동이 되는지 확인하십시오.** 이러한 분진 추출장치를 사용하면 분진으로 인한 사고 위험을 줄일 수 있습니다.
- ▶ **툴을 자주 사용한다고 해서 안주하는 일이 없게 하고 공구의 안전 수칙을 무시하지 않도록 하십시오.** 부주의하게 취급하여 순간적으로 심각한 부상을 입을 수 있습니다.

전동공구의 올바른 사용과 취급

- ▶ **기기를 과부하 상태에서 사용하지 마십시오.** 작업할 때 이에 적당한 전동공구를 사용하십시오. 알맞은 전동공구를 사용하면 지정된 성능 한도 내에서 더 효율적으로 안전하게 작업할 수 있습니다.
- ▶ **전원 스위치가 고장 난 전동공구를 사용하지 마십시오.** 전원 스위치가 작동되지 않는 전동공구는 위험하므로, 반드시 수리를 해야 합니다.
- ▶ **전동공구를 조정하거나 액세서리 부품 교환 혹은 공구를 보관할 때, 항상 전원 콘센트에서 플러그를 미리 빼어 놓거나 배터리를 분리하십시오.** 이러한 조치는 실수로 전동공구가 작동하게 되는 것을 예방합니다.
- ▶ **사용하지 않는 전동공구는 어린이 손이 닿지 않는 곳에 보관하고, 전동공구 사용에 익숙지 않거나 이 사용 설명서를 읽지 않은 사람은 기기를 사용해서는 안됩니다.** 경험이 없는 사람이 전동공구를 사용하면 위험합니다.
- ▶ **전동공구 및 액세서리를 조심스럽게 관리하십시오.** 가동 부위가 하자 없이 정상적인 기능을 하는지, 걸리는 부위가 있는지, 혹은 전동공구의 기능에 중요한 부품이 손상되지 않았는지 확인하십시오. 손상된 기기의 부품은 전동공구를 다시 사용하기 전에 반드시 수리를 맡기십시오. 제대로 관리하지 않은 전동공구의 경우 많은 사고를 유발합니다.
- ▶ **절단 공구를 날카롭고 깨끗하게 관리하십시오.** 날카로운 절단면이 있고 잘 관리된 절단공구는 걸리는 경우가 드물고 조절하기도 쉽습니다.
- ▶ **전동공구, 액세서리, 장착하는 공구 등을 사용할 때, 이 지시 사항과 특별히 기종 별로 나와있는 사용 방법을 준수하십시오.** 이때 작업 조건과 실시하려는 작업 내용을 고려하십시오. 원래 사용 분야가 아닌 다른 작업에 전동공구를 사용할 경우 위험한 상황을 초래할 수 있습니다.
- ▶ **손잡이 및 잡는 면을 건조하게 유지하고, 오일 및 그리스가 묻어 있지 않도록 깨끗하게 하십시오.** 손잡이 또는 잡는 면이 미끄러우면 예상치 못한 상황에서 안전한 취급 및 제어가 어려워집니다.

서비스

- ▶ **전동공구 수리는 반드시 전문 인력에게 맡기고, 수리 정비 시 보쉬 순정 부품만을 사용하십시오.** 그렇게 함으로써 기기의 안전성을 오래 유지할 수 있습니다.

전기 셰어용 안전수칙

- ▶ **본 전동공구는 고정시켜 작업하는 용도로는 적합하지 않습니다.** 예를 들어 바이스에 고정시키거나 작업 거치대에 고정시켜 사용할 수 없습니다.
- ▶ **보호가드를 장착한 상태에서만 작업을 진행하십시오.** 보호가드가 손상되거나 휘어지지 않았는지 확인해 보십시오. 보호가드 없이 작업하거나 손상된 보호가드를 사용하면 상해를 입을 수 있습니다. 손상된 보호가드는 즉시 **Bosch** 지정 서비스 센터에 맡겨 교환하십시오.
- ▶ **작업할 때 보호 장갑을 착용하고 특히 전원 케이블에 주의하십시오.** 절단된 금속판 부분이 작업자 혹은 전원 케이블 쪽에 휘저어지지 않도록 하십시오. 절단된 금속판의 날카로운 면으로 인해 작업자가 다치거나 전원 케이블이 손상될 수 있습니다. 보호 장갑을 착용하여 절단되어 휘어지는 금속판을 몸이나 전원 케이블에서 멀리 떨어지게 하십시오.

제품 및 성능 설명



모든 안전 수칙과 지침을 숙지하십시오. 다음의 안전 수칙과 지침을 준수하지 않으면 화재 위험이 있으며 갑작 혹은 중상을 입을 수 있습니다.

사용 설명서 앞 부분에 제시된 그림을 확인하십시오.

규정에 따른 사용

본 전동공구는 칩의 손실없이 금속판을 절단하는데 사용해야 합니다. 곡선이나 직선으로 절단작업을 하는데 적합합니다.

제품의 주요 명칭

제품의 주요 명칭에 표기되어 있는 번호는 기기 그림이 나와있는 면을 참고하십시오.

- (1) 전원 스위치
- (2) 보호가드
- (3) 보조 손잡이
- (4) 보조 손잡이 나사
- (5) 보조 손잡이 고정 부위
- (6) 윗날 조절 나사
- (7) 스트라이커
- (8) 윗날
- (9) 윗날 고정 나사
- (10) 아랫날
- (11) 아랫날 조절 나사
- (12) 아랫날 고정 나사

(13) 세팅 게이지

제품 사양

전기 쉐어		GSC 2,8
제품 번호		0 601 506 1..
소비 전력	W	500
출력	W	270
공회전 스트로크 수 n_0	min^{-1}	2400
부하 시 스트로크 수	min^{-1}	1500
최대 절단 두께 ^{A)}	mm	2.8
EPTA-Procedure 01:2014에 따른 증량	kg	2.7
보호 등급		□/

A) 강철판 400 N/mm²

자료는 정격 전압 [U] 230 V를 기준으로 한 것입니다. 전압이 다른 경우 및 국가별 사양에 따라 변동이 있을 수 있습니다.

조립

보조 손잡이 고정하기(그림 A 참조)

보조 손잡이가 고정 부위 (5) 에 맞을 때까지 보조 손잡이 (3) 에서 나사 (4) 를 돌리십시오.

보조 손잡이 (3) 를 고정 부위 (5) 로 밀어 넣으십시오. 보조 손잡이를 시계 방향으로 조이십시오.

작동

기계 시동

- ▶ 전원의 전압에 유의하십시오! 공급되는 전원의 전압은 전동공구의 명판에 표기된 전압과 동일해야 합니다. 230 V 로 표시된 전동공구는 220 V 에서도 작동이 가능합니다.

전원 스위치 작동

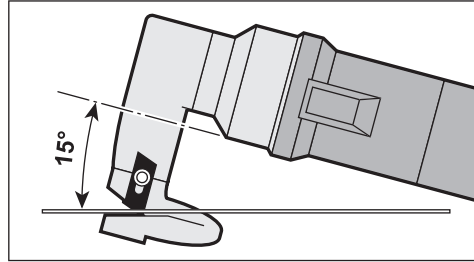
전동공구를 **켜려면** 전원 스위치 (1) 를 앞쪽으로 밀어 I 위치에 오게 하십시오.

전동공구를 **끄려면** 전원 스위치 (1) 를 뒤쪽으로 밀어 0 위치에 오게 하십시오.

사용 방법

- ▶ 전동공구를 보수 정비하기 전에 반드시 콘센트에서 전원 플러그를 빼십시오.
- ▶ 본 전동공구는 고정시켜 작업하는 용도로는 적합하지 않습니다. 예를 들어 바이스에 고정시키거나 작업 거치대에 고정시켜 사용할 수 없습니다.
- ▶ 작업할 때 보호 장갑을 착용하고 특히 전원 케이블에 주의하십시오. 절단된 금속판 부분이 작업자 혹은 전원 케이블 쪽을 향해 휘지 않도록 하십시오. 절단된 금속판의 날카로운 면으로 인해 작업자가 다치거나 전원 케이블이 손상될 수 있습니다. 보호 장갑을 착용하여 절단되어 휘어지는 금속판을 몸이나 전원 케이블에서 멀리 떨어져 있게 하십시오.

전동공구는 스위치를 켜 상태에서만 작업물에 가까이 대십시오.



전동공구를 절단 표면에 15° 각도로 기울여 잡고, 측면으로 잘못 기울이는 일이 없도록 하십시오.

전동공구를 일정하게 가볍게 누르면서 절단 방향으로 움직입니다. 무리하게 밀면서 작업하면 날의 수명이 훨씬 짧아지며 전동공구를 손상시킬 수 있습니다.

곡선으로 절단 작업을 할 때 특히 전동공구가 옆으로 기울지 않도록 주의하고 천천히 움직여 작업하십시오.

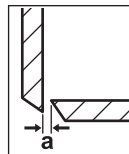
절단 가능한 최대 금속판 두께

절단 가능한 최대 금속판 두께 d_{max} 는 가공하는 소재의 강도에 따라 달라집니다.

전동공구로 다음 최대 강도까지의 금속판을 절단할 수 있습니다:

작업 소재	최대 강도 (N/mm ²)	d_{max} (mm)
철재	400	2.8
	600	2.2
	800	1.9
알루미늄	200	3.5

날 간격 a 설정하기



날 간격 a (절단날 사이의 간격) 는 가공할 자재 두께 d_{max} 에 따라 달라집니다.

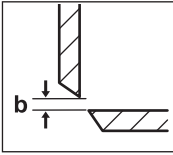
d_{max} (mm)	날 간격 a (mm)
0.2-1.4	0.3
1.5-2.8	0.5

연질이거나 연성의 작업 소재의 경우 날 사이의 간격 a 를 좁혀야 하고, 경질이거나 깨지기 쉬운 작업 소재의 경우 간격을 넓혀야 합니다.

아랫날 고정 나사 (12) 를 푸십시오. 아랫날 조절 나사 (11) 을 이용하여 필요한 측정 간격 a 를 조정하십시오. 윗날 (8) 와 아랫날 (10) 이 서로 닿아서는 안 됩니다.

세팅 게이지 (13) 를 이용하여 간격을 점검하십시오. 아랫날의 고정 나사 (12) 를 다시 조이십시오.

날 간격 b 설정하기



날 간격 **b**를 설정하려면 윗날의 스트라이커 (7)를 상사점에 위치시켜야 합니다. 이를 위해 전동공구의 전원을 켜다가 다시 끄십시오. 경우에 따라 해당 과정을 반복해야 할 수도 있습니다.

세팅 핀을 사용하여 윗날의 조절 나사 (6)를 시계 방향으로 돌려 끼우십시오. 윗날의 고정 나사 (9)를 풀고, 윗날과 아랫날의 수직 간격 **b**가 0.4 mm가 되도록 윗날 (8)을 설정하십시오. 세팅 게이지 (13)를 이용하여 간격을 점검하십시오.

윗날의 고정 나사 (9)를 다시 조이십시오. 조절 나사가 윗날 (8)에 닿을 때까지 조절 나사 (6)를 시계 반대 방향으로 돌리십시오.

보다 부드럽거나 질긴 소재의 경우 날 간격 **b**를 줄이고, 딱딱하거나 깨지기 쉬운 소재의 경우 간격을 더 늘려야 합니다.

보수 정비 및 서비스

보수 정비 및 유지

- ▶ 전동공구를 보수 정비하기 전에 반드시 콘센트에서 전원 플러그를 빼십시오.
- ▶ 안전하고 올바른 작동을 위하여 전동공구와 전동공구의 동봉구를 항상 깨끗이 하십시오.

연결 코드를 교환해야 할 경우 안전을 기하기 위해 **Bosch** 또는 **Bosch** 지정 전동공구 서비스 센터에 맡겨야 합니다.

아랫날 교환하기(그림 B 참조)

아랫날의 조절 나사 (11)를 돌려 빼내십시오. 아랫날의 고정 나사 (12)를 돌려 완전히 빼낸 후 아랫날 (10)을 분리하십시오.

새 아랫날 (10)을 보호가드 (2)의 홈에 끼우십시오. 고정 나사 (12)를 이용해 아랫날을 고정시키십시오.

위에 설명된 바와 같이 날 간격 **a**를 점검 하십시오.

윗날 교환하기(그림 B 참조)

윗날 (8)은 양쪽에서 사용 가능합니다.

윗날의 고정 나사 (9)를 돌려 완전히 빼낸 후 윗날 (8)을 분리 하십시오.

윗날 (8)을 그림 B에 제시된 바와 같이 돌려거나, 또는 새 윗날을 스트라이커 (7)에 끼우십시오. 고정 나사 (9)를 이용해 윗날을 고정시키십시오. 위에 설명된 바와 같이 날 간격 **b**를 점검 하십시오.

날 재연마하기(그림 C 참조)

날카로운 날을 사용해야만 탁월한 절단 작업을 할 수 있고 전동공구를 보호할 수 있으므로 날이 마모된 경우 적시에 날을 교환하거나 재연마 하십시오. 날을 재연마할 때 주어진 절단 각도가 유지되도록 해야 합니다.

세팅 게이지 (13)를 이용하여 절단 각도를 점검 하십시오.

액세서리/부품

날 세트	2 607 010 025
세팅 게이지	2 607 970 001
육각키(렌치 사이즈 5 mm)	1 907 950 006
육각키(렌치 사이즈 2.5 mm)	1 907 950 003

AS 센터 및 사용 문의

AS 센터에서는 귀하 제품의 수리 및 보수정비, 그리고 부품에 관한 문의를 받고 있습니다. 대체 부품에 관한 분해 조립도 및 정보는 인터넷에서도 찾아 볼 수 있습니다 - www.bosch-pt.com

보수 사용 문의 팀에서는 보수의 제품 및 해당 액세서리에 관한 질문에 기꺼이 답변 드릴 것입니다.

문의나 대체 부품 주문 시에는 반드시 제품 내임 플레이트에 있는 10자리의 부품번호를 알려 주십시오.

콜센터
080-955-0909

처리

기기와 액세서리 및 포장 등은 환경 친화적인 방법으로 재활용 할 수 있도록 분류하십시오.



전동공구를 가정용 쓰레기로 처리하지 마십시오!

ไทย

คำเตือนเพื่อความปลอดภัย

คำเตือนเพื่อความปลอดภัยทั่วไปสำหรับเครื่องมือไฟฟ้า

⚠ คำเตือน อ่านคำเตือนเพื่อความปลอดภัย คำแนะนำ ภาพประกอบ และข้อมูล

จำเพาะทั้งหมดที่จัดส่งมาพร้อมกับเครื่องมือไฟฟ้า

การไม่ปฏิบัติตามคำแนะนำทั้งหมดที่ระบุไว้ด้านล่างนี้อาจทำให้ถูกไฟฟ้าดูด เกิดไฟไหม้ และ/หรือได้รับบาดเจ็บอย่างร้ายแรง

เก็บรักษาคำเตือนและคำสั่งทั้งหมดสำหรับเปิดอ่านในภายหลัง

คำว่า "เครื่องมือไฟฟ้า" ในคำเตือนหมายถึง เครื่องมือไฟฟ้าของท่านที่ทำงานด้วยพลังงานไฟฟ้าจากแหล่งจ่ายไฟหลัก (มีสายไฟฟ้า) และเครื่องมือไฟฟ้าที่ทำงานด้วยพลังงานไฟฟ้าจากแบตเตอรี่ (ไร้สาย)

ความปลอดภัยในสถานที่ทำงาน

- ▶ รักษาสถานที่ทำงานให้สะอาดและมีไฟส่องสว่างดี สถานที่ที่มีมืดหรือรกรุงรังนำมาซึ่งอุบัติเหตุ
- ▶ อย่าใช้เครื่องมือไฟฟ้าทำงานในสภาพบรรยากาศที่จุดติดไฟได้ เช่น ในที่มีมีของเหลวไวไฟ ก๊าซ หรือฝุ่น เมื่อใช้เครื่องมือไฟฟ้าจะเกิดประกายไฟซึ่งอาจจุดฝุ่นหรือไอให้ลุกเป็นไฟได้
- ▶ ขณะใช้เครื่องมือไฟฟ้าทำงาน ต้องกันเด็กและผู้ยืนดูให้ออกห่าง การหันเหความสนใจอาจทำให้ท่านขาดการควบคุมเครื่องมือได้

ความปลอดภัยเกี่ยวกับไฟฟ้า

- ▶ ปลั๊กของเครื่องมือไฟฟ้าต้องเหมาะสมพอดีกับเต้าเสียบ อย่าตัดแปลงปลั๊กไม่ว่าในลักษณะใดๆ อย่างเด็ดขาด อย่าใช้ปลั๊กพ่วงต่อใดๆ กับเครื่องมือไฟฟ้าที่มีสายดิน ปลั๊กที่ไม่ตัดแปลงและเต้าเสียบที่เข้ากันช่วยลดความเสี่ยงจากการถูกไฟฟ้าดูด
- ▶ หลีกเลี่ยงอย่าให้ร่างกายสัมผัสกับพื้นผิวที่ต่อสายดินหรือลงกราวด์ไว้ เช่น ท่อ เครื่องทำความร้อน เตา และตู้เย็น จะเสี่ยงอันตรายจากการถูกไฟฟ้าดูดมากขึ้นหากกระแสไฟฟ้าวิ่งผ่านร่างกายของท่านลงดิน
- ▶ อย่าให้เครื่องมือไฟฟ้าถูกฝนหรืออยู่ในสภาพเปียกชื้น หากน้ำเข้าในเครื่องมือไฟฟ้า จะเพิ่มความเสี่ยงจากการถูกไฟฟ้าดูด
- ▶ อย่าใช้สายไฟฟ้าในทางที่ผิด อย่าใช้สายไฟฟ้าเพื่อยก ดึง หรือถอดปลั๊กเครื่องมือไฟฟ้า กับสายไฟ้ออกห่างจากความร้อน น้ำมัน ขอบแหลมคม หรือชิ้นส่วนที่เคลื่อนที่ สายไฟฟ้าที่ชำรุดหรือพันกันยุ่งเพิ่มความเสี่ยงจากการถูกไฟฟ้าดูด
- ▶ เมื่อใช้เครื่องมือไฟฟ้าทำงานกลางแจ้ง ให้ใช้สายไฟต่อที่เหมาะสมสำหรับใช้งานกลางแจ้ง การใช้สายไฟต่อที่เหมาะสมสำหรับงานกลางแจ้งช่วยลดอันตรายจากการถูกไฟฟ้าดูด
- ▶ หากไม่สามารถหลีกเลี่ยงการใช้เครื่องมือไฟฟ้าทำงานในสถานที่เปียกชื้นได้ ให้ใช้สวิตช์ตัดวงจรเมื่อเกิดการรั่วไหลของไฟฟ้าจากสายดิน (RCD) การใช้สวิตช์ตัดวงจรเมื่อเกิดการรั่วไหลของไฟฟ้าจากสายดินช่วยลดความเสี่ยงต่อการถูกไฟฟ้าดูด

ความปลอดภัยของบุคคล

- ▶ ท่านต้องอยู่ในสภาพเตรียมพร้อม ระมัดระวังในสิ่งที่ท่านกำลังทำอยู่ และมีสติขณะใช้เครื่องมือไฟฟ้าทำงาน อย่าใช้เครื่องมือไฟฟ้าขณะที่ท่านกำลังเหนื่อย หรืออยู่

ภายใต้การครอบงำของฤทธิ์ของยาเสพติด

- แอลกอฮอล์ และยา เมื่อใช้เครื่องมือไฟฟ้าทำงานในช่วงเวลาที่ท่านขาดความเอาใจใส่อาจทำให้บุคคลบาดเจ็บอย่างรุนแรงได้
- ▶ ใช้อุปกรณ์ปกป้องร่างกาย สวมแว่นตานิยมกันแสงเสมอ อุปกรณ์ปกป้อง เช่น หน้ากากกันฝุ่น รองเท้านิคมกันลื่น หมวกแข็ง หรือประคบหูกันเสียงดังที่ใช้ตามความเหมาะสมกับสภาพการทำงาน จะลดการบาดเจ็บทางร่างกาย
 - ▶ ป้องกันการติดเครื่องโดยไมตั้งใจ ตรวจสอบให้แน่ใจว่าสวิตช์อยู่ในตำแหน่งปิดก่อนเชื่อมต่อเข้ากับแหล่งจ่ายไฟ และ/หรือแบตเตอรี่แพ็ค ยกหรือถือเครื่องมือถือเครื่องโดยใช้นิ้วหัวแม่มือหรือเสียบปลั๊กไฟฟ้าขณะสวิตช์เปิดอยู่ อาจนำไปสู่อุบัติเหตุที่ร้ายแรงได้
 - ▶ นำเครื่องมือปรับแต่งหรือประแจปากตายออกก่อนเปิดสวิตช์เครื่องมือไฟฟ้า เครื่องมือหรือประแจปากตายที่วางอยู่กับส่วนของเครื่องที่กำลังหมุนจะทำให้บุคคลบาดเจ็บได้
 - ▶ อย่าเอื้อมไกลเกินไป ตั้งท้ายที่นั่งมั่นคงและวางน้ำหนักให้สมดุลตลอดเวลา ในลักษณะนี้ท่านสามารถควบคุมเครื่องมือไฟฟ้าในสถานการณ์ที่ไม่คาดคิดได้ดีกว่า
 - ▶ แต่งกายอย่างเหมาะสม อย่าใส่เสื้อผ้าหลวมหรือสวมเครื่องประดับ เอาผมและเสื้อผ้าออกจากชิ้นส่วนที่เคลื่อนที่ เสื้อผ้าหลวม เครื่องประดับ และผมยาวอาจเข้าไปติดในชิ้นส่วนที่เคลื่อนที่
 - ▶ หากเครื่องมือไฟฟ้ามีข้อเชื่อมต่อกับเครื่องดูดฝุ่นหรือเครื่องเก็บผง ให้ตรวจสอบให้แน่ใจว่าได้เชื่อมต่อและใช้งานอย่างถูกต้อง การใช้อุปกรณ์ดูดฝุ่นช่วยลดอันตรายที่เกิดจากฝุ่นได้
 - ▶ เมื่อใช้งานเครื่องมือบ่อยครั้งจะเกิดความคุ้นเคย อย่าให้ความคุ้นเคยทำให้ท่านเกิดความชะล่าใจและละเลยกฎเกณฑ์ด้านความปลอดภัยในการใช้งานเครื่อง การทำงานอย่างไม่ระมัดระวังอาจทำให้เกิดการบาดเจ็บอย่างร้ายแรงภายในเสี้ยววินาที

การใช้และการดูแลรักษาเครื่องมือไฟฟ้า

- ▶ อย่างฝืนกำลังเครื่องมือไฟฟ้า ใช้เครื่องมือไฟฟ้าที่ถูกต้องตรงตามลักษณะงานของท่าน เครื่องมือไฟฟ้าที่ถูกต้องจะทำงานได้ดีกว่าและปลอดภัยกว่าในระดับสมรรถภาพที่ออกแบบไว้
- ▶ อย่าใช้เครื่องมือไฟฟ้าตัวสวิตช์ไม่สามารถเปิดปิดได้ เครื่องมือไฟฟ้าที่ไม่สามารถควบคุมการเปิดปิดด้วยสวิตช์ได้ เป็นเครื่องมือไฟฟ้าที่ไม่ปลอดภัยและต้องส่งซ่อมแซม
- ▶ ก่อนปรับแต่งเครื่อง เปลี่ยนอุปกรณ์ประกอบ หรือเก็บเครื่องเข้าที่ ต้องถอดปลั๊กออกจากแหล่งจ่ายไฟ และ/

หรือถอดแบตเตอรี่แพ็คเกจจากเครื่องมือไฟฟ้าหากถอดออกได้

มาตรการป้องกันเพื่อความปลอดภัยนี้ช่วยลดความเสี่ยงจากการติดเครื่องโดยไม่ตั้งใจ

- ▶ **เมื่อเลิกใช้งานเครื่องมือไฟฟ้า ให้เก็บเครื่องไว้ในที่ที่เด็กหยิบไม่ถึง และไม่อนุญาตให้บุคคลที่ไม่คุ้นเคยกับเครื่องหรือบุคคลที่ไม่ได้อ่านคำแนะนำเหล่านี้ใช้เครื่องมือไฟฟ้า** เป็นของอันตรายหากตกอยู่ในมือของผู้ใช้ที่ไม่ได้รับการฝึกฝน
- ▶ **บำรุงรักษาเครื่องมือไฟฟ้าและอุปกรณ์ประกอบ ตรวจสอบชิ้นส่วนที่เคลื่อนที่ว่าว่าง ไม่ตรงแนวหรือติดขัดหรือไม่ ตรวจสอบการแตกหักของชิ้นส่วนและสภาพอื่นใดที่อาจมีผลต่อการทำงานของเครื่องมือไฟฟ้า หากชำรุดต้องส่งเครื่องมือไฟฟ้าไปซ่อมแซมก่อนใช้งาน อุบัติเหตุหลายอย่างเกิดขึ้นเนื่องจากดูแลรักษาเครื่องมือไม่ดีพอ**
- ▶ **รักษาเครื่องมือตัดให้คมและสะอาด** หากบำรุงรักษาเครื่องมือที่มีขอบตัดแหลมคมอย่างถูกต้องจะสามารถตัดได้ลื่นไม่ติดขัดและควบคุมได้ง่ายกว่า
- ▶ **ใช้เครื่องมือไฟฟ้า อุปกรณ์ประกอบ เครื่องมือ และอุปกรณ์อื่น ๆ ตรงตามคำแนะนำเหล่านี้ โดยคำนึงถึงเงื่อนไขการทำงานและงานที่จะทำ การใช้เครื่องมือไฟฟ้าทำงานที่ต่างไปจากวัตถุประสงค์การใช้งานของเครื่อง อาจนำไปสู่สถานการณ์ที่เป็นอันตรายได้**
- ▶ **ดูแลด้ามจับและพื้นผิวจับให้แห้ง สะอาด และปราศจากคราบน้ำมันและจาระบี** ด้ามจับและพื้นผิวจับที่ลื่นทำให้หยิบจับได้ไม่ปลอดภัย และไม่สามารถควบคุมเครื่องมือในสถานการณ์ที่ไม่คาดคิด

การบริการ

- ▶ **ส่งเครื่องมือไฟฟ้าของท่านเข้ารับบริการจากช่างซ่อมที่มีคุณสมบัติเหมาะสม โดยใช้อะไหล่ที่เหมือนกันเท่านั้น** ในลักษณะนี้ท่านจะแน่ใจได้ว่าเครื่องมือไฟฟ้าอยู่ในสภาพที่ปลอดภัย
- คำเตือนเพื่อความปลอดภัยสำหรับกรรไกรตัดแผ่นโลหะ**
- ▶ **เครื่องมือไฟฟ้าไม่เหมาะสำหรับการทำงานแบบอยู่กับที่** ไม่ควรยึดเครื่อง ตัวอย่าง เช่น ไว้ปากกาจับชิ้นงานหรือยึดไว้บนโต๊ะทำงาน
 - ▶ **ทำงานเฉพาะเมื่อได้ติดตั้งอุปกรณ์เบี่ยงเศษโลหะแล้วเท่านั้น ตรวจสอบให้แน่ใจว่าอุปกรณ์เบี่ยงเศษโลหะไม่ชำรุดหรือโค้งงอ** การทำงานโดยไม่ติดตั้งอุปกรณ์เบี่ยงเศษโลหะหรือการทำงานร่วมกับอุปกรณ์เบี่ยงเศษโลหะที่ชำรุดอาจเสี่ยงต่อการได้รับบาดเจ็บ ส่งอุปกรณ์เบี่ยงเศษ

โลหะที่ชำรุดให้ศูนย์บริการลูกค้า **Bosch** ที่ได้รับมอบหมายเพื่อเปลี่ยนอันใหม่ในทันที

- ▶ **สวมถุงมือป้องกันอันตรายขณะทำงานและระมัดระวังสายไฟหลักเป็นพิเศษ ตรวจสอบให้แน่ใจว่าชิ้นส่วนแผ่นโลหะที่ตัดไม่ได้โค้งงอเข้าหาร่างกายหรือสายไฟหลัก** ตรงแผ่นโลหะที่ตัดออกจะมีเส้นแหลมคมที่อาจทำให้ท่านได้รับบาดเจ็บหรือทำให้สายไฟหลักชำรุดหากจำเป็น ให้กดชิ้นส่วนแผ่นโลหะที่โค้งงอให้พ้นจากร่างกายหรือจากสายไฟหลักโดยต้องสวมถุงมือ

รายละเอียดผลิตภัณฑ์และข้อมูล

จำเพาะ



อ่านคำเตือนเพื่อความปลอดภัยและคำแนะนำทั้งหมด การไม่ปฏิบัติตามคำเตือนและคำสั่งอาจเป็นสาเหตุให้ถูกไฟฟ้าดูด เกิดไฟไหม้ และ/หรือได้รับบาดเจ็บอย่างร้ายแรง

กรุณาดูภาพประกอบในส่วนหน้าของคู่มือการใช้งาน

ประโยชน์การใช้งานของเครื่อง

เครื่องนี้ใช้สำหรับตัดแผ่นโลหะโดยไม่เสียเศษโลหะ เครื่องนี้เหมาะสำหรับการตัดตรงและตัดโค้ง

ส่วนประกอบที่แสดงภาพ

ลำดับเลขของส่วนประกอบผลิตภัณฑ์อ้างอิงถึงส่วนประกอบของเครื่องที่แสดงในหน้าภาพประกอบ

- (1) สวิตช์เปิด-ปิด
- (2) กระจับเบี่ยงเศษโลหะ
- (3) ด้ามจับเพิ่ม
- (4) สกรูพร้อมด้ามจับเพิ่ม
- (5) ที่ยึดด้ามจับเพิ่ม
- (6) สกรูปรับสำหรับใบมีดบน
- (7) ตัวดอก
- (8) ใบมีดบน
- (9) สกรูยึดสำหรับใบมีดบน
- (10) ใบมีดล่าง
- (11) สกรูปรับสำหรับใบมีดล่าง
- (12) สกรูยึดสำหรับใบมีดล่าง
- (13) เครื่องมือวัดการตั้งระยะ

ข้อมูลทางเทคนิค

กรรไกรตัดแผ่นโลหะ		GSC 2,8
หมายเลขสินค้า		0 601 506 1..
กำลังไฟฟ้าที่กัดด้านเข้า	วัตต์	500
กำลังไฟฟ้าด้านออก	วัตต์	270
อัตราขยับชักเดินตัวเปล่า n_0	min ⁻¹	2400
ความเร็วรอบขณะใช้งาน	min ⁻¹	1500
ความหนาของแผ่นโลหะสูงสุดที่จะนำมาตัด ^{A)}	มม.	2.8
น้ำหนักตามระเบียบการ	กก.	2.7
EPTA-Procedure 01:2014		
ระดับความปลอดภัย		□/

A) อ้างอิงจากแผ่นเหล็กกล้าถึง 400 N/mm²

ค่าที่ให้นี้ใช้ได้กับแรงดันไฟฟ้าอนินอล [U] 230 โวลต์ค่าเหล่านี้ อาจเปลี่ยนแปลงไปสำหรับแรงดันไฟฟ้าที่แตกต่างกัน และโมเดลที่ผลิตสำหรับเฉพาะประเทศ

การติดตั้ง

ยึดตามจับเพิ่ม (ดูภาพประกอบ A)

หมุนสกรู (4) ที่ตามจับเพิ่ม (3) ออกจนสุดจนกระทั่งตามจับเพิ่มเข้าพอดีในลวดยึด (5) เลื่อนตามจับเพิ่ม (3) เข้าในส่วนยึด (5). ขันตามจับเพิ่มให้แน่นโดยหมุนไปในทิศทางเข็มนาฬิกา

การปฏิบัติงาน

การเริ่มต้นปฏิบัติงาน

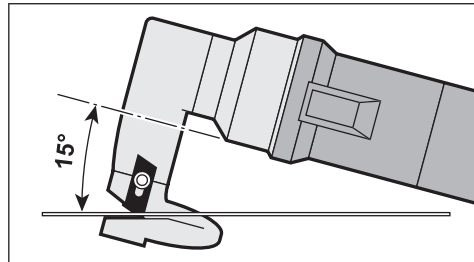
- ▶ ให้สังเกตแรงดันไฟฟ้า! แรงดันไฟฟ้าจากแหล่งจ่ายไฟฟ้าต้องมีค่าตรงกับค่าแรงดันไฟฟ้าที่ระบุไว้บนแผ่นป้ายที่กัดเครื่อง เครื่องมือไฟฟ้าที่มีเครื่องหมาย 230 โวลต์ สามารถใช้งานกับ 220 โวลต์ ได้ด้วย

การเปิด-ปิดเครื่อง

เมื่อต้องการ **เปิดสวิตช์** เครื่องมือไฟฟ้า ให้เลื่อนสวิตช์เปิด/ปิด (1) ไปด้านหน้าเพื่อให้ I ปรากฏบนสวิตช์
เมื่อต้องการ **ปิดสวิตช์** เครื่องมือไฟฟ้า ให้เลื่อนสวิตช์เปิด/ปิด (1) ไปด้านหลัง เพื่อให้ 0 ปรากฏบนสวิตช์

ข้อแนะนำในการทำงาน

- ▶ ดึงปลั๊กไฟออกจากเต้าเสียบก่อนปรับแต่งเครื่อง
 - ▶ เครื่องมือไฟฟ้าไม่เหมาะสำหรับการทำงานแบบอยู่กับที่ ไม่ควรยึดเครื่อง ตัวอย่าง เช่น ไขว้นปากก้าจับชิ้นงานหรือยึดไว้บนโต๊ะทำงาน
 - ▶ สวมถุงมือป้องกันอันตรายขณะทำงานและระมัดระวังสายไฟหลักเป็นพิเศษ ตรวจสอบให้แน่ใจว่าชิ้นส่วนแผ่นโลหะที่ตัดไม่ได้โค้งงอเข้าหาร่างกายหรือสายไฟหลัก ตรงแผ่นโลหะที่ตัดออกจะมีเหลี่ยมแหลมคมที่อาจทำให้ท่านได้รับบาดเจ็บหรือทำให้สายไฟหลักชำรุดหากจำเป็น ให้กดชิ้นส่วนแผ่นโลหะที่โค้งงอให้พ้นจากร่างกายหรือจากสายไฟหลักโดยต้องสวมถุงมือ
- จับเครื่องเข้าหาชิ้นงานเมื่อเครื่องเปิดทำงานอยู่เท่านั้น



ถือเครื่องมือไฟฟ้าโดยเอียงท่ามุม 15 ° กับพื้นผิวของแผ่นกระดาษและอย่าเอียงไปด้านข้าง

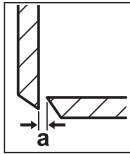
เคลื่อนเครื่องอย่างสม่ำเสมอและป้อนเบาๆ ไปในทิศทางที่ต้องการเคลื่อนเครื่อง ไปข้างหน้าเกินกำลังจะบันทึกตอนอายุการใช้งานของเครื่องมือตัดและอาจทำให้เครื่องมือไฟฟ้าชำรุดได้ ในขณะที่ทำการตัดแนวโค้งจะต้องระมัดระวังเป็นพิเศษไม่ให้เครื่องมือไฟฟ้าเอียงไปด้านข้าง และทำงานด้วยการเลื่อนไปข้างหน้าเพียงเล็กน้อยเท่านั้น

ความสามารถสูงสุดในการตัดแผ่นเหล็ก

ความหนาสูงสุดของแผ่นโลหะที่จะทำการตัด d_{max} จะขึ้นอยู่กับความแข็งแรงของวัสดุที่จะจัดการ

เครื่องมือสามารถตัดแผ่นโลหะถึงความหนาดังต่อไปนี้:

วัสดุ	ความแข็งแรงสูงสุด (N/mm ²)	d_{max} (มม.)
เหล็กกล้า	400	2.8
	600	2.2
	800	1.9
อะลูมิเนียม	200	3.5

ตั้งค่าความห่างใบมีด a

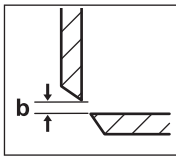
ความห่างของใบมีด **a** (ช่องลมระหว่าง การตัด) จะเป็นไปตามความหนาของแผ่น โลหะที่จะทำการตัด d_{max}

d_{max} (มม.)	ความห่างใบมีด a (มม.)
0.2–1.4	0.3
1.5–2.8	0.5

กรณีทีวัสดุมีความอ่อนหรือเหนียวจะต้องลดความห่างใบมีด **a** หากวัสดุแข็งหรือเปราะจะต้องขยายความห่าง

คลายสลกรูยึด (12) ของใบมีดล่าง ใช้สลกรูปรับ (11) ความห่างใบมีด **a** ที่ต้องการ ใบมีดบน (8) และใบมีดล่าง (10) ต้องไม่สัมผัสกัน

ตรวจสอบระยะช่องว่างด้วยเกจวัด (13) ชั้นสลกรูยึด (12) ของใบมีดล่างกลับเข้าให้แน่นอีกครั้ง

ปรับความห่างใบมีด b

สำหรับการปรับความห่างใบมีด **b** ตัวดอก (7) ของใบมีดบนที่ศูนย์ ตายบน เม็ดสวิตช์เครื่องมือไฟฟ้า เป็นระยะเวลาชั่วคราวและปิดสวิตช์ อาจจำเป็นต้องดำเนินการขั้นตอนซ้ำอีกครั้ง

ใช้หมุดเพื่อขันสลกรูปรับ (6) ของใบมีดบนตามเข็มนาฬิกา คลายสลกรูยึด (9) ของใบมีดบนและปรับใบมีดบน (8) โดยให้ **b** มีระยะห่าง 0.4 มม. ระหว่างใบมีดบนและล่างในแนวตั้ง ตรวจสอบระยะช่องว่างด้วยเกจวัด (13)

ขันสลกรูยึด (9) ของใบมีดบนกลับเข้าให้แน่นอีกครั้ง ใช้หมุด เพื่อขันสลกรูปรับ (6) ทวนเข็มนาฬิกาจนใบมีดบนจนกระทั่งชิด กับ (8)

สำหรับวัสดุที่มีความนุ่มหรือแข็งกว่าต้องลดระยะห่าง **b** ส่วน สำหรับวัสดุที่แข็งหรือเปราะความห่างใบมีด

การบำรุงรักษาและการบริการ**การบำรุงรักษาและการทำความสะอาด**

- ▶ ดึงปลั๊กไฟออกจากเต้าเสียบก่อนปรับแต่งเครื่อง
- ▶ เพื่อให้ทำงานได้อย่างถูกต้องและปลอดภัย ต้องรักษาเครื่องและช่องระบายอากาศ ให้สะอาดอยู่เสมอ

หากจำเป็นต้องเปลี่ยนสายไฟฟ้า ต้องส่งเครื่องให้ **Bosch** หรือศูนย์บริการหลังการขายที่ได้รับมอบหมายสำหรับเครื่องมือไฟฟ้า **Bosch** เปลี่ยนให้ ทั้งนี้เพื่อหลีกเลี่ยงอันตราย

เปลี่ยนใบมีดล่าง (ดูภาพ B)

ไขสลกรูปรับ (11) ของใบมีดล่างออก ไขสลกรูปรับ (12) ของ ใบมีดล่างออกจนสุดและนำใบมีดล่าง (10) ออก ใส่ใบมีดล่างใหม่ (10) ในช่องของกระบังเบี่ยงเศษ โลหะ (2). ขันใบมีดล่างด้วยสลกรูยึด(12) ให้แน่น ตรวจสอบความห่างใบมีด **a** ตามที่อธิบายไว้ด้านบน

เปลี่ยนใบมีดบน (ดูภาพ B)

สามารถใส่ใบมีดบน (8) ได้ทั้งสองด้าน

ไขสลกรูปรับ (9) ของใบมีดบน ของใบมีดบนออกจนสุดและ นำใบมีดบน (8) ออก

หมุนใบมีดบน (8) ตามที่แสดงในภาพ B และใส่ใบมีดบนที่ตัว ดอก (7) ขันใบมีดบนด้วยสลกรูยึด (9) ให้แน่น ตรวจสอบความห่างใบมีด **b** ตามที่อธิบายไว้ด้านบน

ลับคมใบมีด (ดูภาพ C)

เปลี่ยนหรือลับคมใบมีดที่เสื่อมสภาพให้ทันเวลาที่ เครื่องมือคมเท่านั้นที่จะให้ประสิทธิภาพการตัดที่ดี และทำให้เครื่องมืออายุการใช้งานยาวนานกว่า เมื่อนำใบมีดมาลับคมซ้ำ ต้องเอาใจใส่รักษามุมตัดไว้ ตรวจสอบมุมตัดด้วย (13)

อุปกรณ์ประกอบ/อะไหล่

ชุดมีด	2 607 010 025
เครื่องมือวัดการตั้งระยะ	2 607 970 001
ประแจขันทกเหลี่ยม (ขนาดประแจ 5 มม.)	1 907 950 006
ประแจขันทกเหลี่ยม (ขนาดประแจ 2.5 มม.)	1 907 950 003

การบริการหลังการขายและการให้คำปรึกษาการใช้งาน

ศูนย์บริการหลังการขายของเรายินดีตอบคำถามของท่านที่เกี่ยวกับการบำรุงรักษาและการซ่อมแซมผลิตภัณฑ์รวมทั้งเรื่องอะไหล่ ภาพเขียนแบบการประกอบและข้อมูลเกี่ยวกับอะไหล่ กรุณาดูใน: www.bosch-pt.com ที่งานที่ปรึกษาของ บอช ยินดีให้ข้อมูลเกี่ยวกับผลิตภัณฑ์ของเราและอุปกรณ์ประกอบต่างๆ

เมื่อต้องการสอบถามและสั่งซื้ออะไหล่ กรุณาแจ้งหมายเลขสินค้า 10 หลักบนแผ่นป้ายรุ่นของผลิตภัณฑ์ทุกครั้ง

ไทย

ไทย บริษัท โรเบิร์ต บอช จำกัด
 เอฟวายโอ เซ็นเตอร์ อาคาร 1 ชั้น 5
 เลขที่ 2525 ถนนพระราม 4
 แขวงคลองเตย เขตคลองเตย กรุงเทพฯ 10110
 โทร: +66 2012 8888
 แฟกซ์: +66 2064 5800
 www.bosch.co.th
 ศูนย์บริการซ่อมและฝึกอบรม บอช
 อาคาร ลาซาลทาวเวอร์ ชั้น G ห้องเลขที่ 2
 บ้านเลขที่ 10/11 หมู่ 16
 ถนนศรีนครินทร์ ตำบลบางแก้ว อำเภอบางพลี
 จังหวัดสมุทรปราการ 10540
 ประเทศไทย
 โทรศัพท์ 02 7587555
 โทรสาร 02 7587525

การกำจัดขยะ

เครื่องมือไฟฟ้า อุปกรณ์ประกอบ และหีบห่อ ต้องนำไปแยกประเภทวัสดุเพื่อการรีไซเคิลที่เป็นมิตรต่อสิ่งแวดล้อม



อย่าทิ้งเครื่องมือไฟฟ้าลงในขยะครัวเรือน!

adanya cairan, gas, atau debu yang mudah terbakar.

Perkakas listrik dapat memancarkan bunga api yang kemudian mengakibatkan debu atau uap terbakar.

- ▶ **Jauhkan dari jangkauan anak-anak dan pengamat saat mengoperasikan perkakas listrik.** Gangguan dapat menyebabkan hilangnya kendali.

Keamanan listrik

- ▶ **Steker perkakas listrik harus sesuai dengan stopkontak. Jangan pernah memodifikasi steker. Jangan menggunakan steker adaptor bersama dengan perkakas listrik yang terhubung dengan sistem grounding.** Steker yang tidak dimodifikasi dan stopkontak yang cocok akan mengurangi risiko sengatan listrik.
- ▶ **Hindari kontak badan dengan permukaan yang terhubung dengan sistem grounding, seperti pipa, radiator, kompor, dan lemari es.** Terdapat peningkatan risiko terjadinya sengatan listrik jika badan Anda terhubung dengan sistem grounding.
- ▶ **Perkakas listrik tidak boleh terpapar hujan atau basah.** Air yang masuk ke dalam perkakas listrik menambah risiko terjadinya sengatan listrik.
- ▶ **Jangan menyalahgunakan kabel. Jangan gunakan kabel untuk membawa, menarik, atau melepas steker perkakas listrik. Jauhkan kabel dari panas, minyak, tepi yang tajam, atau komponen yang bergerak.** Kabel listrik yang rusak atau tersangkut menambah risiko terjadinya sengatan listrik.
- ▶ **Saat mengoperasikan perkakas listrik di luar ruangan, gunakan kabel ekstensi yang sesuai untuk penggunaan di luar ruangan.** Penggunaan kabel yang cocok untuk pemakaian di luar ruangan mengurangi risiko terjadinya sengatan listrik.
- ▶ **Jika perkakas listrik memang harus dioperasikan di tempat yang lembap, gunakan pemutus arus listrik residu (RCD).** Penggunaan RCD akan mengurangi risiko terjadinya sengatan listrik.

Keselamatan personel

- ▶ **Tetap waspada, perhatikan aktivitas yang sedang dikerjakan dan gunakan akal sehat saat mengoperasikan perkakas listrik. Jangan gunakan perkakas listrik saat mengalami kelelahan atau di bawah pengaruh narkoba, alkohol, atau obat-obatan.** Jika perkakas listrik dioperasikan dengan daya konsentrasi yang rendah, hal tersebut dapat menyebabkan cedera serius.
- ▶ **Gunakan peralatan pelindung diri. Selalu kenakan pelindung mata.** Penggunaan perlengkapan pelindung seperti penutup telinga, helm, sepatu anti licin, dan masker debu akan mengurangi cedera.
- ▶ **Hindari start yang tidak disengaja. Pastikan switch berada di posisi off sebelum perkakas listrik dihubungkan ke sumber daya listrik dan/atau baterai, diangkat, atau dibawa.** Membawa perkakas listrik dengan jari menempel pada tombol atau perkakas listrik dalam keadaan hidup dapat memicu kecelakaan.

Bahasa Indonesia**Petunjuk Keselamatan****Petunjuk keselamatan umum untuk perkakas listrik****⚠ PERINGATAN** Baca semua peringatan, petunjuk, ilustrasi, dan spesifikasi

keselamatan yang diberikan bersama perkakas listrik ini. Kesalahan dalam menjalankan petunjuk di bawah ini dapat mengakibatkan sengatan listrik, kebakaran, dan/atau cedera serius.

Simpanlah semua peringatan dan petunjuk untuk penggunaan di masa mendatang.

Istilah "perkakas listrik" dalam peringatan mengacu pada perkakas listrik yang dioperasikan dengan listrik (menggunakan kabel) atau perkakas listrik yang dioperasikan dengan baterai (tanpa kabel).

Keamanan tempat kerja

- ▶ **Jaga kebersihan dan pencahayaan area kerja.** Area yang berantakan atau gelap dapat memicu kecelakaan.
- ▶ **Jangan mengoperasikan perkakas listrik di lingkungan yang dapat memicu ledakan, seperti**

- ▶ **Singkirkan kunci penyetel atau kunci pas sebelum menghidupkan perkakas listrik.** Perkakas atau kunci pas yang masih menempel pada komponen perkakas listrik yang berputar dapat menyebabkan cedera.
- ▶ **Jangan melampaui batas. Berdirilah secara mantap dan selalu jaga keseimbangan.** Hal ini akan memberikan kontrol yang lebih baik terhadap perkakas listrik pada situasi yang tak terduga.
- ▶ **Kenakan pakaian dengan wajar. Jangan mengenakan perhiasan atau pakaian yang longgar. Jauhkan rambut dan pakaian dari komponen yang bergerak.** Pakaian yang longgar, rambut panjang, atau perhiasan dapat tersangkut dalam komponen yang bergerak.
- ▶ **Jika disediakan perangkat untuk sambungan pengisapan debu dan alat pengumpulan, pastikan perangkat tersebut terhubung dan digunakan dengan benar.** Penggunaan alat pengumpulan dapat mengurangi bahaya yang disebabkan oleh debu.
- ▶ **Jangan berpuas diri dan mengabaikan prinsip keselamatan karena terbiasa mengoperasikan perkakas.** Tindakan yang kurang hati-hati dapat mengakibatkan cedera serius dalam waktu sepersekian detik.

Penggunaan dan pemeliharaan perkakas listrik

- ▶ **Jangan memaksakan perkakas listrik. Gunakan perkakas listrik yang sesuai untuk pekerjaan yang dilakukan.** Perkakas listrik yang sesuai akan bekerja dengan lebih baik dan aman sesuai tujuan penggunaan.
- ▶ **Jangan gunakan perkakas listrik dengan switch yang tidak dapat dioperasikan.** Perkakas listrik yang switchnya yang tidak berfungsi dapat menimbulkan bahaya dan harus diperbaiki.
- ▶ **Lepaskan steker dari sumber listrik dan/atau lepas baterai, jika dapat dilepaskan dari perkakas listrik sebelum menyetel, mengganti aksesoris, atau menyimpan perkakas listrik.** Tindakan preventif akan mengurangi risiko menghidupkan perkakas listrik secara tidak disengaja.
- ▶ **Jauhkan dan simpan perkakas listrik dari jangkauan anak-anak dan jangan biarkan orang-orang yang tidak mengetahui cara menggunakan perkakas listrik, mengoperasikan perkakas listrik.** Perkakas listrik dapat membahayakan jika digunakan oleh orang-orang yang tidak terlatih.
- ▶ **Lakukan pemeliharaan perkakas listrik dan aksesoris. Periksa komponen yang bergerak apabila tidak lurus atau terikat, kerusakan komponen, dan kondisi lain yang dapat mengganggu pengoperasian perkakas listrik. Apabila rusak, perbaiki perkakas listrik sebelum digunakan.** Kecelakaan sering terjadi karena perkakas listrik tidak dirawat dengan baik.
- ▶ **Jaga ketajaman dan kebersihan alat.** Alat pemotong dengan pisau pemotong yang tajam dan dirawat dengan baik tidak akan mudah tersangkut dan lebih mudah dikendalikan.

- ▶ **Gunakan perkakas listrik, aksesoris, dan komponen perkakas dll sesuai dengan petunjuk ini, dengan mempertimbangkan kondisi kerja dan pekerjaan yang akan dilakukan.** Penggunaan perkakas listrik untuk tujuan berbeda dari fungsinya dapat menyebabkan situasi yang berbahaya.
- ▶ **Jaga gagang dan permukaan genggam agar tetap kering, bersih, dan bebas dari minyak dan lemak.** Gagang dan permukaan genggam yang licin tidak menjamin keamanan kerja dan kontrol alat yang baik pada situasi yang tidak terduga.

Servis

- ▶ **Minta teknisi berkualifikasi untuk menyervis perkakas listrik dengan hanya menggunakan suku cadang yang identik.** Dengan demikian, hal ini akan memastikan keamanan perkakas listrik.

Petunjuk-petunjuk untuk keselamatan kerja untuk gunting pelat

- ▶ **Perkakas listrik ini tidak sesuai untuk pengoperasian stasioner.** Perkakas listrik tidak boleh dipasang ke ragum atau dikencangkan ke meja kerja.
- ▶ **Hanya lakukan pengerjaan dengan alat pembentuk yang terpasang. Pastikan alat pembentuk tidak rusak atau bengkok.** Pengerjaan tanpa alat pembentuk atau dengan alat pembentuk yang rusak dapat menimbulkan cedera. Alat pembentuk yang rusak harus segera diganti oleh Service Center **Bosch** yang resmi.
- ▶ **Gunakan sarung tangan pelindung saat bekerja dan berhati-hatilah terhadap kabel listrik. Pastikan bagian pelat yang dipotong tidak melengkung ke arah anggota tubuh atau kabel listrik.** Jika pelat digunting, terdapat pinggiran-pinggiran yang sangat tajam yang dapat melukai Anda atau merusak kabel listrik. Dengan mengenakan sarung tangan pelindung, tekan pelat yang melengkung menjauh dari badan Anda atau kabel listrik.

Spesifikasi produk dan performa



Bacalah semua petunjuk keselamatan dan petunjuk penggunaan. Kesalahan dalam menjalankan petunjuk keselamatan dan petunjuk penggunaan dapat mengakibatkan kontak listrik, kebakaran, dan/atau luka-luka yang berat.

Perhatikan ilustrasi yang terdapat pada sisi sampul panduan pengoperasian.

Tujuan penggunaan

Perkakas listrik ini cocok untuk memotong pelat tanpa menghilangkan chip. Perkakas ini cocok untuk pemotongan melengkung dan pemotongan lurus.

Ilustrasi komponen

Nomor-nomor dari bagian-bagian perkakas pada gambar sesuai dengan gambar perkakas listrik pada halaman bergambar.

- (1) Tombol on/off
- (2) Alat pembentuk
- (3) Gagang tambahan
- (4) Sekrup pada gagang tambahan
- (5) Dudukan gagang tambahan
- (6) Sekrup penyetel untuk pisau atas
- (7) Tappet
- (8) Pisau atas
- (9) Sekrup pengencang untuk pisau atas
- (10) Pisau bawah
- (11) Sekrup penyetel untuk pisau bawah
- (12) Sekrup pengencang untuk pisau bawah
- (13) Mistar untuk menyetel mata pisau

Data teknis

Gunting pelat		GSC 2,8
Nomor seri		0 601 506 1..
Input daya nominal	W	500
Daya output	W	270
Kecepatan pemotongan tanpa beban n_0	min ⁻¹	2400
Kecepatan pemotongan saat diberi beban	min ⁻¹	1500
Ketebalan maks. pelat logam yang dapat dipotong ^{A)}	mm	2,8
Berat sesuai dengan EPTA-Procedure 01:2014	kg	2,7
Klasifikasi keamanan		□/II

A) Berdasarkan pelat baja hingga 400 N/mm²
 Data-data berlaku untuk tegangan nominal [U] 230 V. Pada tegangan yang lebih rendah dan pada model khusus mancanegara data-data ini bisa berlainan.

Cara memasang

Memasang gagang tambahan (lihat gambar A)

Lepaskan sekrup (4) pada gagang tambahan (3) hingga gagang tambahan sesuai pada dudukan (5). Kencangkan gagang tambahan dengan cara memutarannya sesuai arah jarum jam.

Penggunaan

Cara penggunaan

- ▶ **Perhatikan tegangan listrik! Tegangan jaringan listrik harus sesuai dengan tegangan listrik yang tercantum pada label tipe perkakas listrik. Perkakas listrik dengan daya sebesar 230 V seperti yang diindikasikan pada label dapat juga dioperasikan pada daya 220 V.**

Menyalakan/mematikan

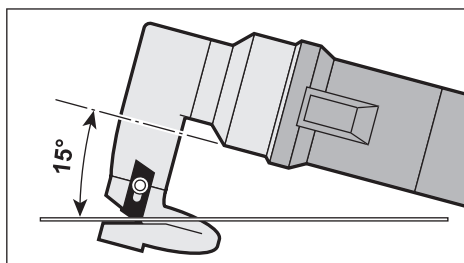
Untuk **menyalakan** perkakas listrik, geser tombol on/off (1) ke depan hingga muncul **I** pada switch.

Untuk **mematikan** perkakas listrik, geser tombol on/off (1) ke belakang hingga muncul **0** pada switch.

Petunjuk pengoperasian

- ▶ **Sebelum mulai dengan pekerjaan pada perkakas listrik, tariklah steker dari stopkontak.**
- ▶ **Perkakas listrik ini tidak sesuai untuk pengoperasian stasioner.** Perkakas listrik tidak boleh dipasang ke ragum atau dikencangkan ke meja kerja.
- ▶ **Gunakan sarung tangan pelindung saat bekerja dan berhati-hatilah terhadap kabel listrik. Pastikan bagian pelat yang dipotong tidak melengkung ke arah anggota tubuh atau kabel listrik.** Jika pelat digunting, terdapat pinggiran-pinggiran yang sangat tajam yang dapat melukai Anda atau merusak kabel listrik. Dengan mengenakan sarung tangan pelindung, tekan pelat yang melengkung menjauh dari badan Anda atau kabel listrik.

Hanya arahkan perkakas listrik ke benda kerja saat perkakas dinyalakan.



Pegang perkakas listrik pada sudut 15° ke permukaan pelat dan jangan miringkan ke samping.

Arahkan perkakas listrik secara merata dan dengan dorongan ringan ke arah pemotongan. Dorongan yang terlalu kuat akan sangat mengurangi masa pakai alat sisipan dan dapat merusak perkakas listrik.

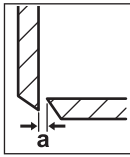
Saat pemotongan melengkung, pastikan supaya perkakas listrik tidak dimiringkan ke samping dan hanya dorong perkakas listrik dengan ringan.

Ketebalan maksimal pelat logam yang dapat dipotong

Ketebalan maksimal pelat logam d_{max} yang dapat dipotong bergantung pada kekuatan material yang akan dikerjakan. Dengan perkakas listrik ini, pelat logam dengan ketebalan maksimal berikut dapat dipotong:

Material	Kekuatan maks. (N/mm ²)	d_{max} (mm)
Baja	400	2,8
	600	2,2
	800	1,9
Aluminium	200	3,5

Mengatur jarak pisau a



Jarak pisau **a** (jarak antar pemotongan) bergantung pada ketebalan pelat logam d_{max} yang akan dikerjakan.

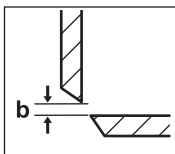
d_{max} (mm)	Jarak pisau a (mm)
0,2–1,4	0,3
1,5–2,8	0,5

Jarak pisau **a** harus dikurangi pada material yang lebih keras atau lebih lembut dan ditingkatkan pada material yang kokoh atau rapuh.

Kendurkan sekrup pengencang (**12**) pisau bawah. Dengan menggunakan sekrup penyetel (**11**), atur jarak pisau **a** yang dibutuhkan. Pisau atas (**8**) dan pisau bawah (**10**) tidak boleh bersentuhan.

Periksa jarak menggunakan mistar untuk menyetel mata pisau (**13**). Kencangkan kembali sekrup pengencang (**12**) pisau bawah.

Mengatur jarak pisau b



Untuk mengatur jarak pisau **b**, tappet (**7**) pisau atas harus berada pada titik mati atas (TMA). Untuk itu, aktifkan perkakas listrik secara singkat lalu nonaktifkan kembali. Jika perlu, ulangi proses.

Pasang sekrup penyetel (**6**) pisau atas searah jarum jam menggunakan pin. Kendurkan sekrup pengencang (**9**) pisau atas dan atur pisau atas (**8**) sehingga jarak vertikal **b** antara pisau atas dan bawah sebesar 0,4 mm. Periksa jarak menggunakan mistar untuk menyetel mata pisau (**13**).

Kencangkan kembali sekrup pengencang (**9**) pisau atas.

Putar sekrup penyetel (**6**) berlawanan arah jarum jam menggunakan pin, hingga mengenai pisau atas (**8**).

Pada material yang lebih lembut atau lebih keras, jarak pisau **b** harus dikurangi, sedangkan pada material yang kokoh atau rapuh, jarak harus ditambah.

Perawatan dan servis

Perawatan dan pembersihan

- ▶ **Sebelum mulai dengan pekerjaan pada perkakas listrik, tariklah steker dari stopkontak.**
- ▶ **Perkakas listrik dan lubang ventilasi harus selalu dibersihkan agar perkakas dapat digunakan dengan baik dan aman.**

Jika kabel listrik harus diganti, pekerjaan ini harus dilakukan oleh **Bosch** atau Service Center untuk perkakas listrik **Bosch** resmi agar keselamatan kerja selalu terjaga.

Mengganti pisau bawah (lihat gambar B)

Lepaskan sekrup penyetel (**11**) pisau bawah. Lepaskan sekrup pengencang (**12**) pisau bawah sepenuhnya dan lepaskan pisau bawah (**10**).

Pasang pisau bawah baru (**10**) ke lubang alat pembentuk (**2**). Pasang pisau bawah menggunakan sekrup pengencang (**12**).

Periksa jarak pisau **a** seperti yang telah dijelaskan di atas.

Mengganti pisau atas (lihat gambar B)

Pisau atas (**8**) dapat digunakan di kedua sisi.

Lepaskan sekrup pengencang (**9**) pisau atas sepenuhnya dan lepaskan pisau atas (**8**).

Putar pisau atas (**8**) seperti yang ditampilkan pada gambar **B** atau pasang pisau atas baru pada tappet (**7**). Pasang pisau atas menggunakan sekrup pengencang (**9**).

Periksa jarak pisau **b** seperti yang telah dijelaskan di atas.

Mengasah mata pisau (lihat gambar C)

Ganti atau asah mata pisau jika aus sebelum terlambat, karena hanya alat kerja yang tajam yang mampu menghasilkan pemotongan yang bagus dan membuat perkakas listrik tidak cepat aus.

Pada waktu mengasah mata pisau, pastikan sudut potong dipertahankan.

Periksa sudut potong dengan menggunakan mistar untuk menyetel mata pisau (**13**).

Aksesori/suku cadang

Set pisau	2 607 010 025
Mistar untuk menyetel mata pisau	2 607 970 001
Kunci L (ukuran kunci pas 5 mm)	1 907 950 006
Kunci L (ukuran kunci pas 2,5 mm)	1 907 950 003

Layanan pelanggan dan konsultasi penggunaan

Layanan pelanggan Bosch menjawab semua pertanyaan Anda tentang reparasi dan perawatan serta tentang suku cadang produk ini. Gambaran teknis (exploded view) dan informasi mengenai suku cadang dapat ditemukan di:

www.bosch-pt.com

Tim konsultasi penggunaan Bosch akan membantu Anda menjawab pertanyaan seputar produk kami beserta aksesorinya.

Jika Anda hendak menanyakan sesuatu atau memesan suku cadang, selalu sebutkan nomor model yang terdiri dari 10 angka dan tercantum pada label tipe produk.

Indonesia

PT Robert Bosch
Palma Tower 10th Floor
Jalan RA Kartini II-S Kaveling 6
Pondok Pinang, Kebayoran Lama
Jakarta Selatan 12310
Tel.: (021) 3005 5800
Fax: (021) 3005 5801
E-Mail: boschpowertools@id.bosch.com
www.bosch-pt.co.id

Cara membuang

Perkakas listrik, aksesori, dan kemasan sebaiknya didaur ulang secara ramah lingkungan.



Jangan membuang perkakas listrik ke dalam sampah rumah tangga!

Tiếng Việt

Hướng dẫn an toàn

Hướng dẫn an toàn chung cho dụng cụ điện

⚠ CẢNH BÁO Hãy đọc toàn bộ các cảnh báo an toàn, hướng dẫn, hình ảnh và thông số kỹ thuật được cung cấp cho dụng cụ điện cầm tay này. Không tuân thủ mọi hướng dẫn được liệt kê dưới đây có thể bị điện giật, gây cháy và /hay bị thương tật nghiêm trọng. **Hãy giữ tất cả tài liệu về cảnh báo và hướng dẫn để tham khảo về sau.**

Thuật ngữ "dụng cụ điện cầm tay" trong phần cảnh báo là đề cập đến sự sử dụng dụng cụ điện cầm tay của bạn, loại sử dụng điện nguồn (có dây cắm điện) hay vận hành bằng pin (không dây cắm điện).

Khu vực làm việc an toàn

- ▶ **Giữ nơi làm việc sạch và đủ ánh sáng.** Nơi làm việc bừa bộn và tối tăm dễ gây ra tai nạn.
- ▶ **Không vận hành dụng cụ điện cầm tay trong môi trường dễ gây nổ, chẳng hạn như nơi có chất lỏng dễ cháy, khí đốt hay rác.** Dụng cụ điện cầm tay tạo ra các tia lửa nên có thể làm rác bèn cháy hay bốc khói.
- ▶ **Không để trẻ em hay người đến xem đứng gần khi vận hành dụng cụ điện cầm tay.** Sự phân tâm có thể gây ra sự mất điều khiển.

An toàn về điện

- ▶ **Phích cắm của dụng cụ điện cầm tay phải thích hợp với ổ cắm. Không bao giờ được cải biến lại phích cắm dưới mọi hình thức. Không được sử dụng phích tiếp hợp nối tiếp đất (dây mát).** Phích cắm nguyên bản và ổ cắm đúng loại sẽ làm giảm nguy cơ bị điện giật.
- ▶ **Tránh không để thân thể tiếp xúc với đất hay các vật có bề mặt tiếp đất như đường ống, lò sưởi, hàng rào và tủ lạnh.** Có nhiều nguy cơ bị điện giật hơn nếu cơ thể bạn bị tiếp hay nối đất.
- ▶ **Không được để dụng cụ điện cầm tay ngoài mưa hay ở tình trạng ẩm ướt.** Nước vào máy sẽ làm tăng nguy cơ bị điện giật.
- ▶ **Không được lạm dụng dây dẫn điện. Không bao giờ được nắm dây dẫn để xách, kéo hay**

rút phích cắm dụng cụ điện cầm tay. Không để dây gần nơi có nhiệt độ cao, dầu nhớt, vật nhọn bén và bộ phận chuyển động. Làm hỏng hay cuộn rối dây dẫn làm tăng nguy cơ bị điện giật.

- ▶ **Khi sử dụng dụng cụ điện cầm tay ngoài trời, dùng dây nối thích hợp cho việc sử dụng ngoài trời.** Sử dụng dây nối thích hợp cho việc sử dụng ngoài trời làm giảm nguy cơ bị điện giật.
- ▶ **Nếu việc sử dụng dụng cụ điện cầm tay ở nơi ẩm ướt là không thể tránh được, dùng thiết bị ngắt mạch tự động (RCD) bảo vệ nguồn.** Sử dụng thiết bị ngắt mạch tự động RCD làm giảm nguy cơ bị điện giật.

An toàn cá nhân

- ▶ **Hãy tỉnh táo, biết rõ mình đang làm gì và hãy sử dụng ý thức khi vận hành dụng cụ điện cầm tay. Không sử dụng dụng cụ điện cầm tay khi đang mệt mỏi hay đang bị tác động do chất gây nghiện, rượu hay được phẩm gây ra.** Một thoáng mất tập trung khi đang vận hành dụng cụ điện cầm tay có thể gây thương tích nghiêm trọng cho bản thân.
- ▶ **Sử dụng trang bị bảo hộ cá nhân. Luôn luôn đeo kính bảo vệ mắt.** Trang bị bảo hộ như khẩu trang, giày chống trượt, nón bảo hộ, hay dụng cụ bảo vệ tai khi được sử dụng đúng nơi đúng chỗ sẽ làm giảm nguy cơ thương tật cho bản thân.
- ▶ **Phòng tránh máy khởi động bất ngờ. Bảo đảm công tắc máy ở vị trí tắt trước khi cắm vào nguồn điện và/hay lắp pin vào, khi nhắc máy lên hay khi mang xách máy.** Ngáng ngón tay vào công tắc máy để xách hay kích hoạt dụng cụ điện cầm tay khi công tắc ở vị trí mở dễ dẫn đến tai nạn.
- ▶ **Lấy mọi chìa hay khóa điều chỉnh ra trước khi mở điện dụng cụ điện cầm tay.** Khóa hay chìa còn gắn dính vào bộ phận quay của dụng cụ điện cầm tay có thể gây thương tích cho bản thân.
- ▶ **Không rướn người. Luôn luôn giữ tư thế đứng thích hợp và thăng bằng.** Điều này tạo cho việc điều khiển dụng cụ điện cầm tay tốt hơn trong mọi tình huống bất ngờ.
- ▶ **Trang phục thích hợp. Không mặc quần áo rộng lủng thụng hay mang trang sức. Giữ tóc và quần áo xa khỏi các bộ phận chuyển động.** Quần áo rộng lủng thụng, đồ trang sức hay tóc dài có thể bị cuốn vào các bộ phận chuyển động.
- ▶ **Nếu có các thiết bị đi kèm để nối máy hút bụi và các phụ kiện khác, bảo đảm các thiết bị này được nối và sử dụng tốt.** Việc sử dụng các thiết bị gom hút bụi có thể làm giảm các độc hại liên quan đến bụi gây ra.

- ▶ **Không để thói quen do sử dụng thường xuyên dụng cụ khiến bạn trở nên chủ quan và bỏ qua các quy định an toàn dụng cụ.** Một hành vi bất cẩn có thể gây ra thương tích nghiêm trọng chỉ trong tích tắc.

Sử dụng và bảo dưỡng dụng cụ điện cầm tay

- ▶ **Không được ép máy.** Sử dụng dụng cụ điện cầm tay đúng loại theo đúng ứng dụng của bạn. Dụng cụ điện cầm tay đúng chức năng sẽ làm việc tốt và an toàn hơn theo đúng tiến độ mà máy được thiết kế.
- ▶ **Không sử dụng dụng cụ điện cầm tay nếu như công tắc không tắt và mở được.** Bất kỳ dụng cụ điện cầm tay nào mà không thể điều khiển được bằng công tắc là nguy hiểm và phải được sửa chữa.
- ▶ **Rút phích cắm ra khỏi nguồn điện và/hay pin ra khỏi dụng cụ điện cầm tay nếu có thể tháo được, trước khi tiến hành bất kỳ điều chỉnh nào, thay phụ kiện, hay cất dụng cụ điện cầm tay.** Các biện pháp ngăn ngừa như vậy làm giảm nguy cơ dụng cụ điện cầm tay khởi động bất ngờ.
- ▶ **Cất giữ dụng cụ điện cầm tay không dùng tới nơi trẻ em không lấy được và không cho người chưa từng biết dụng cụ điện cầm tay hay các hướng dẫn này sử dụng dụng cụ điện cầm tay.** Dụng cụ điện cầm tay nguy hiểm khi ở trong tay người chưa được chỉ cách sử dụng.
- ▶ **Bảo quản dụng cụ điện cầm tay và các phụ kiện.** Kiểm tra xem các bộ phận chuyển động có bị sai lệch hay kẹt, các bộ phận bị rạn nứt và các tình trạng khác có thể ảnh hưởng đến sự vận hành của máy. Nếu bị hư hỏng, phải sửa chữa máy trước khi sử dụng. Nhiều tai nạn xảy ra do bảo quản dụng cụ điện cầm tay tồi.
- ▶ **Giữ các dụng cụ cắt bén và sạch.** Bảo quản đúng cách các dụng cụ cắt có cạnh cắt bén làm giảm khả năng bị kẹt và dễ điều khiển hơn.
- ▶ **Sử dụng dụng cụ điện cầm tay, phụ kiện, đầu cài v. v., đúng theo các chỉ dẫn này, hãy lưu ý đến điều kiện làm việc và công việc phải thực hiện.** Sự sử dụng dụng cụ điện cầm tay khác với mục đích thiết kế có thể tạo nên tình huống nguy hiểm.
- ▶ **Giữ tay cầm và bề mặt nắm luôn khô ráo, sạch sẽ và không dính dầu mỡ.** Tay cầm và bề mặt nắm trơn trượt không đem lại thao tác an toàn và kiểm soát dụng cụ trong các tình huống bất ngờ.

Bảo dưỡng

- ▶ **Đưa dụng cụ điện cầm tay của bạn đến thợ chuyên môn để bảo dưỡng, chỉ sử dụng phụ tùng đúng chủng loại để thay.** Điều này sẽ đảm bảo sự an toàn của máy được giữ nguyên.

Cảnh Báo An Toàn Cho Máy Cắt Kim Loại Tắm

- ▶ **Dụng cụ điện không phù hợp cho vận hành tĩnh.** Không được phép kẹp vào một ê-tô hoặc gắn trên một bàn máy.
- ▶ **Chỉ làm việc với bộ phận dẫn phoi đã lắp. Đảm bảo rằng bộ phận dẫn phoi không bị hỏng hoặc bị cong.** Có nguy cơ bị thương tích khi vận hành dụng cụ điện mà không gắn bộ phận dẫn phoi hoặc nó đã bị hỏng. Đem bộ phận dẫn phoi bị hỏng đến trung tâm sửa chữa dụng cụ điện **Bosch** để thay ngay.
- ▶ **Hãy đeo gang tay bảo vệ khi làm việc và đặc biệt lưu ý dây nguồn. Đảm bảo rằng các phần thép được cắt không bị uốn cong hướng lên người hoặc dây nguồn.** Các gờ sắc hình thành từ tấm thép được cắt có thể gây thương tích cho người vận hành hay làm hư dây dẫn điện. Nếu cần thiết, mang gang tay vào để uốn cong tấm thép hướng ra ngoài người bạn hay dây dẫn điện.

Mô Tả Sản Phẩm và Đặc Tính Kỹ Thuật



Đọc kỹ mọi cảnh báo an toàn và mọi hướng dẫn. Không tuân thủ mọi cảnh báo và hướng dẫn được liệt kê dưới đây có thể bị điện giật, gây cháy và / hay bị thương tật nghiêm trọng.

Xin lưu ý các hình minh họa trong phần trước của hướng dẫn vận hành.

Sử dụng đúng cách

Dụng cụ điện được thiết kế để cắt kim loại tắm mà không bị hao hụt do sự phát sinh các phoi kim loại. Máy thích hợp để cắt đường thẳng và cong.

Các bộ phận được minh họa

Sự đánh số các biểu trưng của sản phẩm là để tham khảo hình minh họa của máy trên trang hình ảnh.

- (1) Công tắc Tắt/Mở
- (2) Bộ phận dẫn phoi
- (3) Tay nắm phụ
- (4) Vít trên tay nắm phụ
- (5) Ngàm gắn tay nắm phụ
- (6) Vít điều chỉnh lưỡi cắt trên
- (7) Tấm chặn
- (8) Lưỡi cắt trên
- (9) Vít bắt cố định lưỡi cắt trên
- (10) Lưỡi cắt dưới
- (11) Vít điều chỉnh lưỡi cắt dưới
- (12) Vít bắt cố định lưỡi cắt dưới

(13) Cỡ lá định chuẩn

Thông số kỹ thuật

Máy Cắt Kim Loại Tắm		GSC 2,8
Mã số máy		0 601 506 1..
Công suất vào danh định	W	500
Công suất ra	W	270
Tần suất nhịp chạy không tải n_0	min ⁻¹	2400
Tốc độ khoảng chạy có tải	min ⁻¹	1500
Công suất cắt thép tắm tối đa ^{A)}	mm	2,8
Trọng lượng theo Qui trình EPTA-Procedure 01:2014	kg	2,7
Cấp độ bảo vệ		□/II

A) liên quan đến thép tắm đến 400 N/mm²

Các giá trị đã cho cho hiệu lực cho điện thế danh định [U] 230 V. Đối với điện thế thấp hơn và các loại máy dành riêng cho một số quốc gia, các giá trị này có thể thay đổi.

Sự lắp vào

Cố định tay nắm phụ (xem hình A)

Vặn vít (4) trên tay nắm phụ (3) ra cho đến khi tay nắm phụ khớp vào khe lắp (5).

Hãy đẩy tay nắm phụ (3) vào khe lắp (5). Và vặn theo chiều kim đồng hồ để bắt chặt tay nắm phụ vào.

Vận Hành

Bắt Đầu Vận Hành

- ▶ **Hãy cẩn thận với nguồn điện! Điện thế nguồn phải đúng với điện thế đã ghi rõ trên nhãn máy. Dụng cụ điện được ghi 230 V cũng có thể được vận hành ở 220 V.**

Bật/tắt

Để **bật** dụng cụ điện hãy đẩy công tắc bật/tắt (1) ra trước, để trên công tắc I xuất hiện.

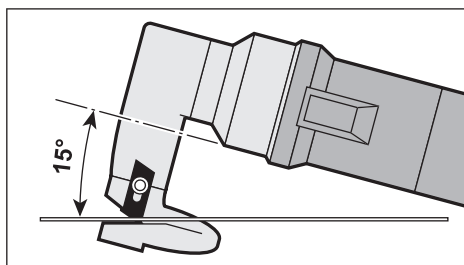
Để **tắt** dụng cụ điện hãy đẩy công tắc bật/tắt (1) lên trên, để trên công tắc 0 xuất hiện.

Hướng Dẫn Sử Dụng

- ▶ **Trước khi tiến hành bất cứ việc gì trên máy, kéo phích cắm điện nguồn ra.**
- ▶ **Dụng cụ điện không phù hợp cho vận hành tĩnh.** Không được phép kẹp vào một ê-tô hoặc gắn trên một bàn máy.
- ▶ **Hãy đeo gang tay bảo vệ khi làm việc và đặc biệt lưu ý dây nguồn. Đảm bảo rằng các phần**

thép được cắt không bị uốn cong hướng lên người hoặc dây nguồn. Các gờ sắc hình thành từ tấm thép được cắt có thể gây thương tích cho người vận hành hay làm hư dây dẫn điện. Nếu cần thiết, mang găng tay vào để uốn cong tấm thép hướng ra ngoài người bạn hay dây dẫn điện.

Chỉ cho máy gia công vật liệu khi máy đã hoạt động.



Luôn luôn giữ nghiêng máy trong góc 15° so với bề mặt của tấm thép và không làm tấm thép bị nghiêng sang bên.

Đẩy máy đều tay và cho nạp tải vừa phải đi theo chiều cắt. Sự nạp tải quá mức làm giảm đáng kể tuổi thọ của dụng cụ cắt và có thể làm hư hỏng máy.

Khi cắt các đường cong, đảm bảo không làm dụng cụ điện nghiêng qua một bên và chỉ vận hành ở tốc độ nạp tải thấp.

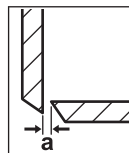
Công suất cắt thép tắm tối đa

Công suất cắt thép tắm tối đa d_{max} phụ thuộc vào độ bền của vật liệu cần gia công.

Máy cho phép gia công cắt kim loại tắm có độ dày như sau:

Nguyên liệu	độ bền tối đa (N/mm ²)	d_{max} (mm)
Thép	400	2,8
	600	2,2
	800	1,9
Nhôm	200	3,5

Điều chỉnh khoảng hở lưỡi cắt a



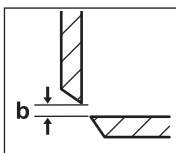
Khoảng cắt lưỡi cắt **a** (Khe khí giữa các đường cắt) phụ thuộc vào độ dày tấm cần gia công d_{max} .

d_{max} (mm)	Khoảng hở lưỡi cắt a (mm)
0,2–1,4	0,3
1,5–2,8	0,5

Đối với các vật liệu mềm hơn hoặc chắc hơn, khoảng cách lưỡi cắt **a** phải nhỏ, ở các vật liệu cứng hơn hoặc giòn hơn, khoảng cách phải lớn. Nới lỏng vít cố định của (12) lưỡi cắt dưới. Hãy điều chỉnh (11) khoảng cách lưỡi cắt **a** cần thiết bằng vít điều chỉnh. Không được chạm vào lưỡi cắt trên (8) và lưỡi cắt dưới (10).

Hãy kiểm tra khoảng cách bằng calip điều chỉnh (13). Siết chặt vít cố định của (12) lưỡi cắt dưới lại.

Điều chỉnh khoảng hở lưỡi cắt b



Để điều chỉnh khoảng hở lưỡi cắt **b** tấm chặn (7) của lưỡi cắt trên phải ở trên điểm chết bên trên. Do đó, hãy bật nhanh dụng cụ điện và lại tắt. Nếu cần, hãy lặp lại quá trình.

Hãy vận vít định vị (6) của lưỡi cắt trên theo chiều kim đồng hồ bằng một chốt. Hãy nới lỏng vít cố định (9) của lưỡi cắt trên và điều chỉnh lưỡi cắt trên (8) sao cho khoảng cách dọc **b** giữa lưỡi cắt trên và dưới là 0,4 mm. Hãy kiểm tra khoảng cách bằng calip điều chỉnh (13).

Siết chặt vít cố định của (9) lưỡi cắt trên lại. Hãy vận vít định vị (6) ngược chiều kim đồng hồ bằng một chốt, cho đến khi nó chạm vào lưỡi cắt trên (8).

Đối với các vật liệu mềm hơn hoặc chắc hơn, khoảng cách lưỡi cắt **b** phải nhỏ, ở các vật liệu cứng hơn hoặc giòn hơn, khoảng cách phải lớn.

Bảo Dưỡng và Bảo Quản

Bảo Dưỡng Và Làm Sạch

- ▶ Trước khi tiến hành bất cứ việc gì trên máy, kéo phích cắm điện nguồn ra.
- ▶ Để được an toàn và máy hoạt động đúng chức năng, luôn luôn giữ máy và các khe thông gió được sạch.

Nếu như cần phải thay dây dẫn điện thì công việc này phải do hãng Bosch, hay một đại lý được Bosch ủy nhiệm thực hiện để tránh gặp sự nguy hiểm do mất an toàn.

Thay lưỡi cắt dưới (xem hình B)

Hãy vận vít định vị (11) của lưỡi cắt dưới ra. Hãy vận vít cố định (12) của lưỡi cắt dưới ra hoàn toàn và tháo lưỡi cắt dưới (10) ra.

Hãy lắp lưỡi cắt dưới mới (10) vào rãnh của bộ phận dẫn phoi (2). Cố định lưỡi cắt dưới bằng vít cố định (12).

Hãy kiểm tra khoảng cách lưỡi cắt **a** như mô tả trên.

Thay lưỡi cắt trên (xem hình B)

Lưỡi cắt trên (8) đều có thể sử dụng được ở hai bên.

Hãy vận vít cố định (9) của lưỡi cắt trên ra hoàn toàn và tháo lưỡi cắt trên (8) ra.

Hãy xoay lưỡi cắt trên (8) như hiển thị trong hình ảnh B, hoặc lắp một lưỡi cắt trên mới vào tấm chặn (7). Cố định lưỡi trên dưới bằng vít cố định (9).

Hãy kiểm tra khoảng cách lưỡi cắt **b** như mô tả trên.

Mài lại lưỡi cắt (xem hình C)

Thay hay mài lại các lưỡi cắt mòn vào đúng thời điểm, bởi vì chỉ có các dụng cụ sắc bén mới tạo ra năng suất cắt tốt và kéo dài tuổi thọ của máy.

Khi mài lại các lưỡi cắt, bảo đảm các góc cắt của lưỡi cắt vẫn được giữ nguyên.

Hãy kiểm tra góc cắt bằng calip điều chỉnh (13).

Phụ kiện/Phụ tùng thay thế

Bộ lưỡi cắt	2 607 010 025
Cỡ lá định chuẩn	2 607 970 001
Chìa vận lục giác (Độ mở chìa vận 5 mm)	1 907 950 006
Chìa vận lục giác (Độ mở chìa vận 2,5 mm)	1 907 950 003

Dịch vụ hỗ trợ khách hàng và tư vấn sử dụng

Bộ phận phục vụ hàng sau khi bán của chúng tôi trả lời các câu hỏi liên quan đến việc bảo dưỡng và sửa chữa các sản phẩm cũng như phụ tùng thay thế của bạn. Sơ đồ mô tả và thông tin về phụ tùng thay thế cũng có thể tra cứu theo dưới đây:

www.bosch-pt.com

Đội ngũ tư vấn sử dụng của Bosch sẽ giúp bạn giải đáp các thắc mắc về sản phẩm và phụ kiện.

Trong tất cả các phản hồi và đơn đặt phụ tùng, xin vui lòng luôn luôn nhập số hàng hóa 10 chữ số theo nhãn của hàng hóa.

Việt Nam

CN CÔNG TY TNHH BOSCH VIỆT NAM TẠI TP.HCM

Tầng 14, Ngõ Nhà Đức, 33 Lê Duẩn

Phường Bến Nghé, Quận 1, Thành Phố Hồ Chí Minh

Tel.: (028) 6258 3690

Fax: (028) 6258 3692 - 6258 3694

Hotline: (028) 6250 8555

Email: tuvankhachhang-pt@vn.bosch.com

www.bosch-pt.com.vn

www.baohanhbosch-pt.com.vn

Campuchia

Công ty TNHH Robert Bosch (Campuchia)

Đơn nguyên 8BC, GT Tower, Tầng 08, Đường 169,

Tiếp Khắc Blvd, Sangkat Veal Vong,

Khan 7 Makara, Phnom Penh

VAT TIN: 100 169 511

Tel.: +855 23 900 685

Tel.: +855 23 900 660
www.bosch.com.kh

Sự thải bỏ

Máy, linh kiện và bao bì phải được phân loại để tái chế theo hướng thân thiện với môi trường.



Không được thải bỏ dụng cụ điện vào chung với rác sinh hoạt!