

Robert Bosch Power Tools GmbH
70538 Stuttgart
GERMANY

www.bosch-pt.com

1 609 92A 4J8 (2018.11) T / 50



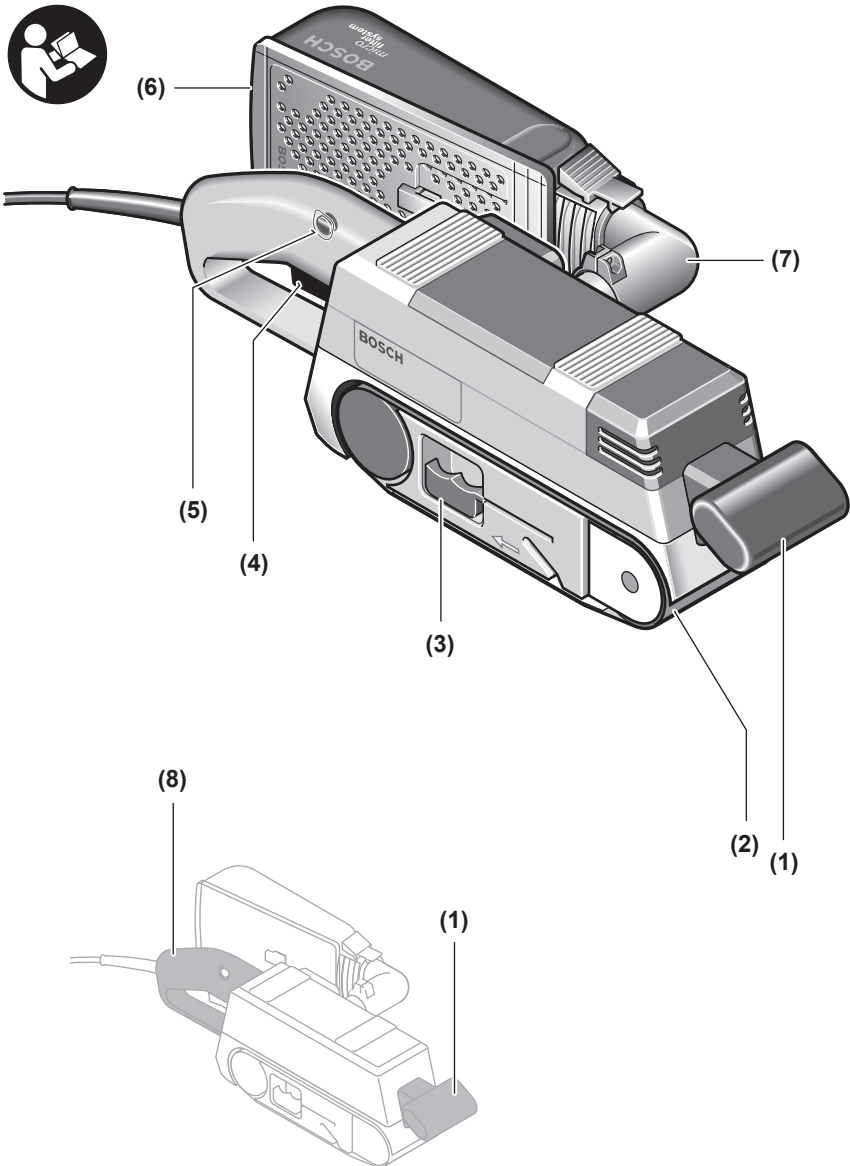
1 609 92A 4J8

GBS 75 A Professional

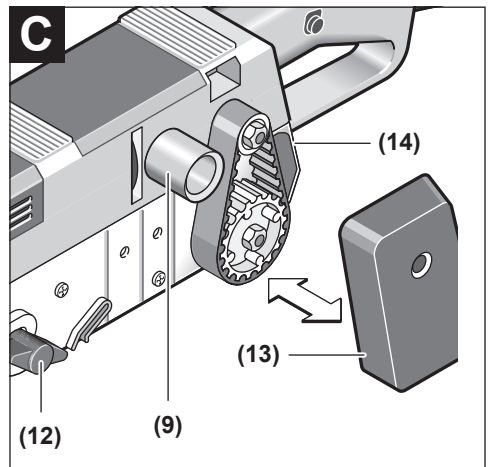
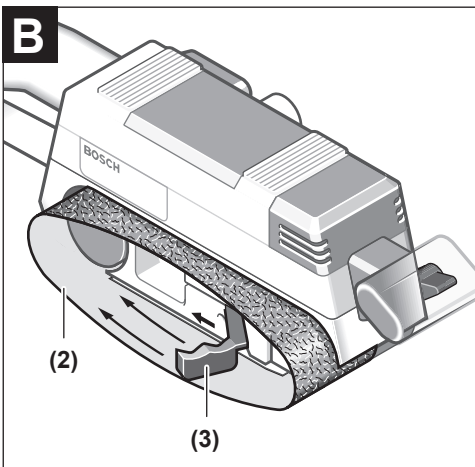
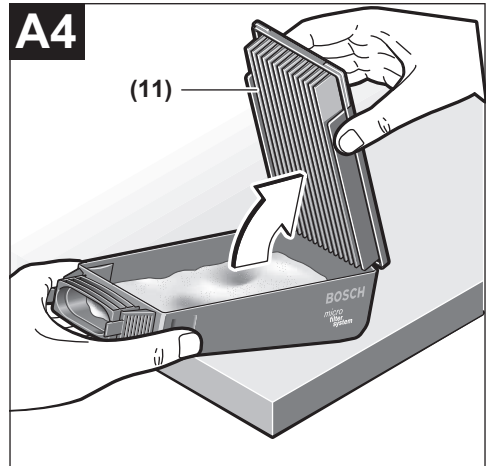
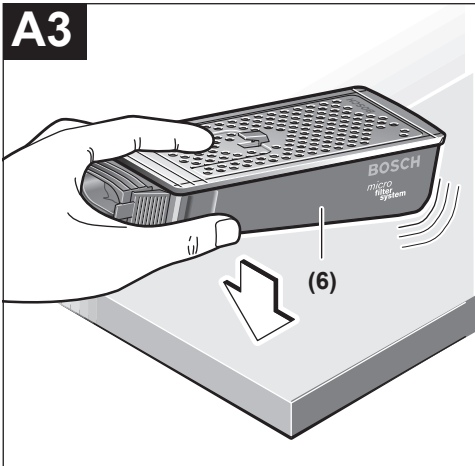
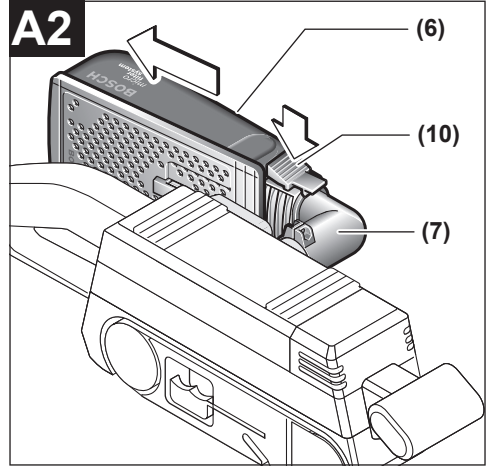
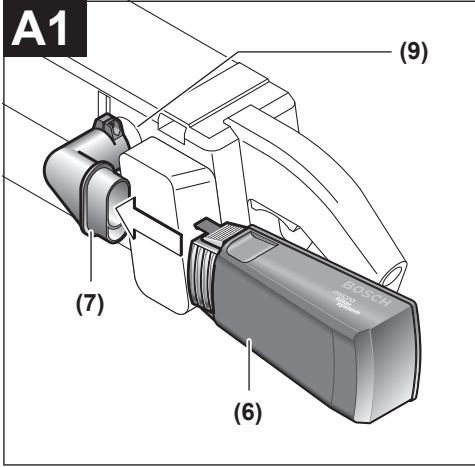


- en Original instructions
- zh 正本使用说明书
- zh 原始使用說明書
- ko 사용 설명서 원본
- th หนังสือคู่มือการใช้งานฉบับต้นแบบ
- id Petunjuk-Petunjuk untuk Penggunaan Orisinal
- vi Bản gốc hướng dẫn sử dụng
- fr Notice originale
- ar دليل التشغيل الأصلي
- fa دفترچه راهنمای اصلی

English	Page	5
中文	页	11
繁體中文	頁	14
한국어	페이지	17
ไทย	หน้า	21
Bahasa Indonesia	Halaman	26
Tiếng Việt	Trang	30
Français	Page	35
عربي	الصفحة	40
آفارسى	صفحه	45



GBS 75 A



English

Safety instructions

General Power Tool Safety Warnings

⚠ WARNING Read all safety warnings, instructions, illustrations and specifications provided with this power tool. Failure to follow all instructions listed below may result in electric shock, fire and/or serious injury.

Save all warnings and instructions for future reference.

The term "power tool" in the warnings refers to your mains-operated (corded) power tool or battery-operated (cordless) power tool.

Work area safety

- ▶ **Keep work area clean and well lit.** Cluttered or dark areas invite accidents.
- ▶ **Do not operate power tools in explosive atmospheres, such as in the presence of flammable liquids, gases or dust.** Power tools create sparks which may ignite the dust or fumes.
- ▶ **Keep children and bystanders away while operating a power tool.** Distractions can cause you to lose control.

Electrical safety

- ▶ **Power tool plugs must match the outlet. Never modify the plug in any way. Do not use any adapter plugs with earthed (grounded) power tools.** Unmodified plugs and matching outlets will reduce risk of electric shock.
- ▶ **Avoid body contact with earthed or grounded surfaces, such as pipes, radiators, ranges and refrigerators.** There is an increased risk of electric shock if your body is earthed or grounded.
- ▶ **Do not expose power tools to rain or wet conditions.** Water entering a power tool will increase the risk of electric shock.
- ▶ **Do not abuse the cord. Never use the cord for carrying, pulling or unplugging the power tool. Keep cord away from heat, oil, sharp edges or moving parts.** Damaged or entangled cords increase the risk of electric shock.
- ▶ **When operating a power tool outdoors, use an extension cord suitable for outdoor use.** Use of a cord suitable for outdoor use reduces the risk of electric shock.
- ▶ **If operating a power tool in a damp location is unavoidable, use a residual current device (RCD) protected supply.** Use of an RCD reduces the risk of electric shock.

Personal safety

- ▶ **Stay alert, watch what you are doing and use common sense when operating a power tool. Do not use a power tool while you are tired or under the influence of drugs, alcohol or medication.** A moment of inatten-

tion while operating power tools may result in serious personal injury.

- ▶ **Use personal protective equipment. Always wear eye protection.** Protective equipment such as a dust mask, non-skid safety shoes, hard hat or hearing protection used for appropriate conditions will reduce personal injuries.
- ▶ **Prevent unintentional starting. Ensure the switch is in the off-position before connecting to power source and/or battery pack, picking up or carrying the tool.** Carrying power tools with your finger on the switch or engaging power tools that have the switch on invites accidents.
- ▶ **Remove any adjusting key or wrench before turning the power tool on.** A wrench or a key left attached to a rotating part of the power tool may result in personal injury.
- ▶ **Do not overreach. Keep proper footing and balance at all times.** This enables better control of the power tool in unexpected situations.
- ▶ **Dress properly. Do not wear loose clothing or jewellery. Keep your hair and clothing away from moving parts.** Loose clothes, jewellery or long hair can be caught in moving parts.
- ▶ **If devices are provided for the connection of dust extraction and collection facilities, ensure these are connected and properly used.** Use of dust collection can reduce dust-related hazards.
- ▶ **Do not let familiarity gained from frequent use of tools allow you to become complacent and ignore tool safety principles.** A careless action can cause severe injury within a fraction of a second.

Power tool use and care

- ▶ **Do not force the power tool. Use the correct power tool for your application.** The correct power tool will do the job better and safer at the rate for which it was designed.
- ▶ **Do not use the power tool if the switch does not turn it on and off.** Any power tool that cannot be controlled with the switch is dangerous and must be repaired.
- ▶ **Disconnect the plug from the power source and/or remove the battery pack, if detachable, from the power tool before making any adjustments, changing accessories, or storing power tools.** Such preventive safety measures reduce the risk of starting the power tool accidentally.
- ▶ **Store idle power tools out of the reach of children and do not allow persons unfamiliar with the power tool or these instructions to operate the power tool.** Power tools are dangerous in the hands of untrained users.
- ▶ **Maintain power tools and accessories. Check for misalignment or binding of moving parts, breakage of parts and any other condition that may affect the power tool's operation. If damaged, have the power tool repaired before use.** Many accidents are caused by poorly maintained power tools.

- ▶ **Keep cutting tools sharp and clean.** Properly maintained cutting tools with sharp cutting edges are less likely to bind and are easier to control.
- ▶ **Use the power tool, accessories and tool bits etc. in accordance with these instructions, taking into account the working conditions and the work to be performed.** Use of the power tool for operations different from those intended could result in a hazardous situation.
- ▶ **Keep handles and grasping surfaces dry, clean and free from oil and grease.** Slippery handles and grasping surfaces do not allow for safe handling and control of the tool in unexpected situations.

Service

- ▶ **Have your power tool serviced by a qualified repair person using only identical replacement parts.** This will ensure that the safety of the power tool is maintained.

Safety Warnings for Sander

- ▶ **Hold the power tool by insulated gripping surfaces, because the sanding surface may contact its own cord.** Cutting a "live" wire may make exposed metal parts of the power tool "live" and could give the operator an electric shock.
- ▶ **Only use the power tool for dry sanding.** Water entering a power tool will increase the risk of electric shock.
- ▶ **Switch the power tool on before making contact with the workpiece and only switch the power tool off after you have removed it from the workpiece.** The power tool can move suddenly.
- ▶ **Never touch the sanding belt while it is running.** This poses a risk of injury.
- ▶ **Wear protective gloves and never touch the sanding belt while it is running.** This poses a risk of injury.
- ▶ **Ensure that no persons are at risk due to flying sparks. Remove combustible materials from the surrounding area.** Flying sparks are created when sanding metals.
- ▶ **Do not use any worn, torn or severely clogged sanding belts.** Damaged sanding belts can tear, fly off and injure someone.
- ▶ **Warning: Danger of fire! Avoid overheating the workpiece and the sander. Always empty the dust collector before taking a break from work.** Sanding dust in the dust bag, microfilter, paper bag (or in the filter bag or vacuum cleaner filter) can spontaneously combust under certain conditions, for example if flying sparks are created when sanding metals. This risk is increased if the sanding dust is mixed with paint or polyurethane residue or with other chemical substances and if the workpiece is hot as a result of prolonged work.
- ▶ **Clean the air vents on your power tool regularly.** The motor's fan will draw the dust inside the housing and excessive accumulation of powdered metal may cause electrical hazards.

Products sold in GB only:

Your product is fitted with an BS 1363/A approved electric plug with internal fuse (ASTA approved to BS 1362).

If the plug is not suitable for your socket outlets, it should be cut off and an appropriate plug fitted in its place by an authorised customer service agent. The replacement plug should have the same fuse rating as the original plug.

The severed plug must be disposed of to avoid a possible shock hazard and should never be inserted into a mains socket elsewhere.

- ▶ **Secure the workpiece.** A workpiece clamped with clamping devices or in a vice is held more secure than by hand.
- ▶ **Always wait until the power tool has come to a complete stop before placing it down.** The application tool can jam and cause you to lose control of the power tool.
- ▶ **Hold the power tool firmly with both hands and make sure you have a stable footing.** The power tool can be more securely guided with both hands.

Product Description and Specifications



Read all the safety and general instructions.

Failure to observe the safety and general instructions may result in electric shock, fire and/or serious injury.

Please observe the illustrations at the beginning of this operating manual.

Intended Use

The power tool is intended for dry surface sanding of wood, plastic, metal, filler and varnished surfaces with a high material removal rate.

Product Features

The numbering of the product features refers to the diagram of the power tool on the graphics page.

- (1) Auxiliary handle (insulated gripping surface)
- (2) Sanding belt ^{A)}
- (3) Clamping lever for sanding belt
- (4) On/off switch
- (5) Lock-on button for on/off switch
- (6) Complete dust box (Microfilter system)
- (7) Dust extraction adapter ^{A)}
- (8) Handle (insulated gripping surface)
- (9) Extraction outlet
- (10) Locking lever for dust box
- (11) Filter element (Microfilter system)
- (12) Adjustment button for belt running
- (13) Protective cap
- (14) Dust channel

A) **Accessories shown or described are not included with the product as standard. You can find the complete selection of accessories in our accessories range.**

Technical Data

Belt sander	GBS 75 A	
Article number		3 601 B74 0..
Rated power input	W	710
Power output	W	350
No-load belt speed	m/min	300
Sanding belt length	mm	533
Sanding belt width	mm	75
Self-generated/external dust extraction connection		●
Weight according to EPTA-Procedure 01:2014	kg	3.2
Protection class		□/II

The specifications apply to a rated voltage [U] of 230 V. These specifications may vary at different voltages and in country-specific models.

Fitting

- **Pull the plug out of the socket before carrying out any work on the power tool.**

Dust/chip extraction

The dust from materials such as lead paint, some types of wood, minerals and metal can be harmful to human health. Touching or breathing in this dust can trigger allergic reactions and/or cause respiratory illnesses in the user or in people in the near vicinity.

Certain dusts, such as oak or beech dust, are classified as carcinogenic, especially in conjunction with wood treatment additives (chromate, wood preservative). Materials containing asbestos may only be machined by specialists.

- Use a dust extraction system that is suitable for the material wherever possible.
- Provide good ventilation at the workplace.
- It is advisable to wear a P2 filter class breathing mask.

The regulations on the material being machined that apply in the country of use must be observed.

- **Avoid dust accumulation at the workplace.** Dust can easily ignite.

Self-generated Dust Extraction with Dust Box (see figures A1–A4)

Place the dust box (6) on the extraction adapter (7) until it engages. Attach the extraction adapter (7) to the extraction outlet (9).

To empty the dust box (6), press the locking lever (10) on the side of the dust box and pull off the dust box.

Before opening the dust box (6), knock the dust box against a firm surface as shown in the figure to loosen the dust from the filter element.

Take hold of the dust box (6) by the recessed grip, fold the filter element (11) upwards out of the way and empty the dust box. Use a soft brush to clean the flaps of the filter element (11).

Note: The belt sander has a high material removal rate. Therefore, to ensure optimum dust extraction, empty the dust box (6) at regular intervals after every five minutes of operation and clean the filter element (11) regularly.

External Dust Extraction

Fit a dust extraction hose onto the extraction outlet (9).

Connect the dust extraction hose to an extractor. You will find an overview of connecting to various dust extractors at the end of these operating instructions.

The dust extractor must be suitable for the material being worked.

When extracting dry dust that is especially detrimental to health or carcinogenic, use a special dust extractor.

Changing the Sanding Belt (see figure B)

- Swivel the clamping lever (3) all the way out. The sanding belt (2) is now slack and can be removed.
- Fit the new sanding belt (2). Ensure that the arrow directions on the inner surface of the sanding belt and the housing of the power tool match.
- Swivel the clamping lever (3) back to the starting position.
- Lift up the power tool and switch it on. The belt running is centred automatically when the tool is switched on and during the sanding process.

Ensure that the sanding belt (2) does not grind against the housing. Check the belt running regularly and, if necessary, readjust it using the adjustment button (12).

Selecting a Sanding Belt

Different sanding belts are available, depending on the material you are working with and the required surface removal rate:

	Grit	
red:Wood		40–240
For processing all wood and wood-based materials		
For pre-sanding, e.g. of rough and uneven beams and boards	Coarse	40, 60
For surface sanding and levelling of slight irregularities	Medium	80, 100, 120
For finishing and fine sanding of hard woods	Fine	180, 240

Operation

Start-up

- **Pay attention to the mains voltage. The voltage of the power source must match the voltage specified on the rating plate of the power tool. Power tools marked with 230 V can also be operated with 220 V.**
- **Products that are only sold in AUS and NZ:** Use a residual current device (RCD) with a nominal residual current of 30 mA or less.

Switching On and Off

► Make sure that you are able to press the On/Off switch without releasing the handle.

To **switch on** the power tool, press and hold the on/off switch (4).

To **lock** the on/off switch (4) press and hold it while also pushing the lock-on button (5).

To **switch off** the power tool, release the on/off switch (4). If the on/off switch (4) is locked, press the switch first and then release it.

Practical advice

► Pull the plug out of the socket before carrying out any work on the power tool.

The material removal rate when sanding and the surface quality are primarily determined by the choice of sanding belt and the preselected belt speed. The higher the belt speed, the higher the removal rate and the finer the sanded surface becomes.

Only sanding belts in perfect condition achieve good sanding performance and make the power tool last longer.

Apply as little contact pressure as possible while working in order to increase the service life of the sanding belts. The weight of the power tool alone is enough to ensure good sanding performance. Excessively increasing the contact pressure will not lead to increased sanding performance, rather it will cause more severe wear of the power tool and of the sanding belt.

Place the running power tool on the surface you wish to work on. Work with moderate feed and carry out sanding in parallel and overlapping with the sanding path. Sand with the grain; sanding marks that run against the grain result in both-ersome sanding effects.

Especially when sanding off paint residue, the residue could merge together, resulting in smears on the workpiece surface and the sanding belt. Therefore, do not work without dust extraction.

A sanding belt that has been used to work on metal should no longer be used to work on other materials.

Use only original **Bosch**-sanding accessories.

Only ever store sanding belts hanging up and do not fold them as this makes them unusable.

The sanding frame (accessory) enables an even, adjustable material removal rate while sanding large wooden surfaces.

Maintenance and Servicing

Maintenance and Cleaning

► Pull the plug out of the socket before carrying out any work on the power tool.

► To ensure safe and efficient operation, always keep the power tool and the ventilation slots clean.

Remove any adherent sanding dust using a brush.

In order to avoid safety hazards, if the power supply cord needs to be replaced, this must be done by **Bosch** or by an

after-sales service centre that is authorised to repair **Bosch** power tools.

Cleaning the Dust Channel (see figure C)

Remove the protective cover (13) from time to time and clean the dust channel (14) to maintain optimal suction power.

After-sales Service and Advice on Using Products

Our after-sales service can answer questions concerning product maintenance and repair, as well as spare parts. You can find exploded drawings and information on spare parts at: www.bosch-pt.com

The Bosch product use advice team will be happy to help you with any questions about our products and their accessories.

In all correspondence and spare parts orders, please always include the 10-digit article number given on the type plate of the product.

Cambodia

Robert Bosch (Cambodia) Co., Ltd
Unit 8BC, GT Tower, 08th Floor, Street 169,
Czechoslovakia Blvd, Sangkat Veal Vong
Khan 7 Makara, Phnom Penh
VAT TIN: 100 169 511
Tel.: +852 23 900 685
Tel.: +852 23 900 660
www.bosch.com.kh

People's Republic of China China Mainland

Bosch Power Tool (China) Co. Ltd.
Bosch Service Center
567, Bin Kang Road
Bin Kang District
Hangzhou, Zhejiang Province
China 310052
Tel.: (0571) 8887 5566 / 5588
Fax: (0571) 8887 6688 x 5566# / 5588#
E-mail: bsc.hz@cn.bosch.com
www.bosch-pt.com.cn

HK and Macau Special Administrative Regions

Robert Bosch Co. Ltd.
21st Floor, 625 King's Road
North Point, Hong Kong
Customer Service Hotline: +852 2101 0235
Fax: +852 2590 9762
E-mail: info@hk.bosch.com
www.bosch-pt.com.hk

India

Bosch Service Center
69, Habibullah Road, (next to PSBB School), T. Nagar
Chennai-600077
Phone: (044) 64561816
Bosch Service Center Rishyamook
85A, Panchkuin Road

New Delhi-110001
 Phone: (011) 43166190
 Bosch Service Center 79,
 Crystal Bldg., Dr. Annie Besant Road, Worli
 Mumbai-400018
 Phone: (022) 39569936 / (022) 39569959 /
 (022) 39569967 / (022) 24952071

Indonesia

PT Robert Bosch
 Palma Tower 10th Floor
 Jalan RA Kartini II-S Kaveling 6
 Pondok Pinang, Kebayoran Lama
 Jakarta Selatan 12310
 Tel.: (21) 3005-5800
 www.bosch-pt.co.id

Malaysia

Robert Bosch Sdn. Bhd. (220975-V) PT/SMY
 No. 8A, Jalan 13/6
 46200 Petaling Jaya
 Selangor
 Tel.: (03) 79663194
 Toll-Free: 1800 880188
 Fax: (03) 79583838
 E-mail: kiathoe.chong@my.bosch.com
 www.bosch-pt.com.my

Pakistan

Robert Bosch Middle East FZE – Pakistan Liaison Office
 2nd Floor Plaza # 10, CCA Block, DHA Phase 5
 Lahore, 54810
 Phone: +92(303)4444311
 E-mail: Faisal.Khan@bosch.com

Philippines

Robert Bosch, Inc.
 28th Floor Fort Legend Towers,
 3rd Avenue corner 31st Street,
 Fort Bonifacio, Global City,
 1634 Taguig City
 Tel.: (632) 8703871
 Fax: (632) 8703870
 www.bosch-pt.com.ph

Singapore

Powerwell Service Centre Ptd Ltd
 Bosch Authorised Service Centre (Power Tools)
 4012 Ang Mo Kio Ave 10, #01-02 TECHplace
 Singapore 569628
 Tel.: 6452 1770
 Fax: 6452 1760
 E-mail: ask@powerwellsc.com
 www.powerwellsc.com
 www.bosch-pt.com.sg

Thailand

Robert Bosch Ltd.
 Liberty Square Building
 No. 287, 11 Floor
 Silom Road, Bangrak
 Bangkok 10500
 Tel.: 02 6393111

Fax: 02 2384783
 Robert Bosch Ltd., P. O. Box 2054
 Bangkok 10501
 www.bosch.co.th
 Bosch Service – Training Centre
 La Salle Tower Ground Floor Unit No.2
 10/11 La Salle Moo 16
 Srinakharin Road
 Bangkaew, Bang Plee
 Samutprakarn 10540
 Tel.: 02 7587555
 Fax: 02 7587525

Vietnam

Branch of Bosch Vietnam Co., Ltd in HCMC
 14th floor, Deutsches Haus, 33 Le Duan
 Ben Nghe Ward, District 1, Ho Chi Minh City
 Tel.: (028) 6258 3690
 Fax: (028) 6258 3692 - 6258 3694
 Hotline: (028) 6250 8555
 E-mail: tuvankhachhang-pt@vn.bosch.com
www.bosch-pt.com.vn

Armenia, Azerbaijan, Georgia, Kyrgyzstan, Mongolia, Tajikistan, Turkmenistan, Uzbekistan

TOO "Robert Bosch" Power Tools, After Sales Service
 Rayimbek Ave., 169/1
 050050, Almaty, Kazakhstan
 Service e-mail: service.pt.ka@bosch.com
 Official website: www.bosch.com, www.bosch-pt.com

Bahrain

Hatem Al Juffali Technical Equipment Establishment.
 Kingdom of Bahrain, Setra Highway, Al Aker Area
 Phone: +966126971777-311
 Fax: +97317704257
 E-mail: h.berjas@ejb.com.sa

Egypt

Unimar
 20 Markaz kadmat
 El tagmoa EL Aoul – New Cairo
 Phone: +20 2224 76091-95
 Phone: +20 2224 78072-73
 Fax: +20222478075
 E-mail: adelzaki@unimaregypt.com

Iran

Robert Bosch Iran
 3rd Floor, No 3, Maadiran Building
 Aftab St., Khodami St., Vanak Sq.
 Tehran 1994834571
 Phone: +9821 86092057

Iraq

Sahba Technology Group
 Al Muthana airport road
 Baghdad
 Phone: +9647901906953
 Phone Dubai: +97143973851
 E-mail: bosch@sahbatechnology.com

Jordan

Roots Arabia – Jordan
Nasser Bin Jameel street, Building 37 Al Rabiah
11194 Amman
Phone: +962 6 5545778
E-mail: bosch@rootsjordan.com

Kuwait

Al Qurain Automotive Trading Company
Shuwaikh Industrial Area, Block 1, Plot 16, Street 3rd
P.O. Box 164 – Safat 13002
Phone: 24810844
Fax: 24810879
E-mail: josephkr@aaalmutawa.com

Lebanon

Tehini Hana & Co. S.A.R.L.
P.O. Box 90-449

Jdeideh

Dora-Beirut
Phone: +9611255211
E-mail: service-pt@tehini-hana.com

Libya

El Naser for Workshop Tools
Swanee Road, Alfalah Area
Tripoli
Phone: +218 21 4811184

Oman

Malatan Trading & Contracting LLC
P.O. Box 131
Ruwi, 112 Sultanate of Oman
Phone: +968 99886794
E-mail: malatanpowertools@malatan.net

Qatar

International Construction Solutions W L L
P. O. Box 51,
Doha Phone: +974 40065458
Fax: +974 4453 8585
E-mail: csd@icsdoha.com

Saudi Arabia

Juffali Technical Equipment Co. (JTECO)
Kilo 14, Madinah Road, Al Bawadi District
Jeddah 21431
Phone: +966 2 6672222 Ext. 1528
Fax: +966 2 6676308
E-mail: roland@ejjb.com.sa

Syria

Dallal Establishment for Power Tools
P.O. Box 1030
Aleppo
Phone: +963212116083
E-mail: rita.dallal@hotmail.com

United Arab Emirates

Central Motors & Equipment LLC, P.O. Box 1984
Al-Wahda Street – Old Sana Building
Sharjah
Phone: +971 6 593 2777
Fax: +971 6 533 2269
E-mail: powertools@centralmotors.ae

Yemen

Abualrejal Trading Corporation
Sana'a Zubiery St. Front to new Parliament Building
Phone: +967-1-202010
Fax: +967-1-279029
E-mail: tech-tools@abualrejal.com

Ethiopia

Forever plc
Kebele 2,754, BP 4806,
Addis Ababa
Phone: +251 111 560 600
E-mail: foreverplc@ethionet.et

Ghana

C.WOERMANN LTD.
Nsawam Road/Avenor Junction, P.O. Box 1779
Accra Phone: +233 302 225 141

Kenya

Robert Bosch East Africa Ltd
Mpaka Road P.O. Box 856
00606 Nairobi

Nigeria

Robert Bosch Nigeria Ltd.
52–54 Isaac John Street P.O. Box
GRA Ikeja – Lagos

Republic of South Africa

Customer service

Hotline: (011) 6519600

Gauteng – BSC Service Centre

35 Roper Street, New Centre
Johannesburg
Tel.: (011) 4939375
Fax: (011) 4930126
E-mail: bsctools@icon.co.za

KZN – BSC Service Centre

Unit E, Almar Centre
143 Crompton Street
Pinetown
Tel.: (031) 7012120
Fax: (031) 7012446
E-mail: bsc.dur@za.bosch.com

Western Cape – BSC Service Centre

Democracy Way, Prosperity Park
Milnerton
Tel.: (021) 5512577
Fax: (021) 5513223
E-mail: bsc@zsd.co.za

Bosch Headquarters

Midrand, Gauteng
Tel.: (011) 6519600
Fax: (011) 6519880
E-mail: rbsa-hq.pts@za.bosch.com

Tanzania

Diesel & Autoelectric Service Ltd.
117 Nyerere Rd., P.O. Box 70839
Vingunguti 12109, Dar Es Salaam
Phone: +255 222 861 793/794

Australia, New Zealand and Pacific Islands

Robert Bosch Australia Pty. Ltd.

Power Tools

Locked Bag 66

Clayton South VIC 3169

Customer Contact Center

Inside Australia:

Phone: (01300) 307044

Fax: (01300) 307045

Inside New Zealand:

Phone: (0800) 543353

Fax: (0800) 428570

Outside AU and NZ:

Phone: +61 3 95415555

www.bosch-pt.com.au

www.bosch-pt.co.nz

Disposal

The power tool, accessories and packaging should be recycled in an environmentally friendly manner.



Do not dispose of power tools along with household waste.

中文

安全规章

电动工具通用安全警告

警告！ 警告！ 阅读所有警告和所有说明！ 不遵照以下警告和说明会导致电击、着火和 / 或严重伤害。

保存所有警告和说明书以备查阅。

在所有下列的警告中术语“电动工具”指市电驱动（有线）电动工具或电池驱动（无线）电动工具。

工作场地的安全

- ▶ 保持工作场地清洁和明亮。混乱和黑暗的场地会引发事故。
- ▶ 不要在易爆环境，如有易燃液体、气体或粉尘的环境下操作电动工具。电动工具产生的火花会点燃粉尘或气体。
- ▶ 让儿童和旁观者离开后操作电动工具。注意力不集中会使操作者失去对工具的控制。

电气安全

- ▶ 电动工具插头必须与插座相配。绝不能以任何方式改装插头。需接地的电动工具不能使用任何转换插头。未经改装的插头和相配的插座将减少电击危险。
- ▶ 避免人体接触接地表面，如管道、散热片和冰箱。如果你身体接地会增加电击危险。

- ▶ 不得将电动工具暴露在雨中或潮湿环境中。水进入电动工具将增加电击危险。
- ▶ 不得滥用电线。绝不能用电线搬运、拉动电动工具或拔出其插头。使电线远离热源、油、锐边或运动部件。受损或缠绕的软线会增加电击危险。
- ▶ 当在户外使用电动工具时，使用适合户外使用的外接软线。适合户外使用的软线将减少电击危险。
- ▶ 如果在潮湿环境下操作电动工具是不可避免的，应使用剩余电流动作保护器（RCD）。使用RCD可减小电击危险。

人身安全

- ▶ 保持警觉，当操作电动工具时关注所从事的操作并保持清醒。当你感到疲倦，或在有药物、酒精或治疗反应时，不要操作电动工具。在操作电动工具时瞬间的疏忽会导致严重人身伤害。
- ▶ 使用个人防护装置。始终佩戴护目镜。安全装置，诸如适当条件下使用防尘面具、防滑安全鞋、安全帽、听力防护等装置能减少人身伤害。
- ▶ 防止意外起动。确保开关在连接电源和 / 或电池盒、拿起或搬运工具时处于关断位置。手指放在已接通电源的开关上或开关处于接通时插入插头可能会导致危险。
- ▶ 在电动工具接通之前，拿掉所有调节钥匙或扳手。遗留在电动工具旋转零件上的扳手或钥匙会导致人身伤害。
- ▶ 手不要伸展得太长。时刻注意立足点和身体平衡。这样在意外情况下能很好地控制电动工具。
- ▶ 着装适当。不要穿宽松衣服或佩戴饰品。让衣服、手套和头发远离运动部件。宽松衣服、佩戴或长发可能会卷入运动部件中。
- ▶ 如果提供了与排屑、集尘设备连接的装置，要确保它们连接完好且使用得当。使用这些装置可减少尘屑引起的危险。
- ▶ 即使由于经常使用电动工具而对此非常熟悉，也不要就认为可以高枕无忧而忽略工具的安全规定。粗心大意的行为可能在瞬间就造成严重的伤害。

电动工具使用和注意事项 电动工具使用和注意事项

- ▶ 不要滥用电动工具，根据用途使用适当的电动工具。选用适当设计的电动工具会使你工作更有效、更安全。
- ▶ 如果开关不能接通或关断工具电源，则不能使用该电动工具。如果开关不能接通或关断工具电源，则不能使用该电动工具。
- ▶ 在进行任何调节、更换附件或贮存电动工具之前，必须从电源上拔掉插头和 / 或使电池盒与工具脱离。这种防护性措施将减少工具意外起动的危险。
- ▶ 将闲置不用的电动工具贮存在儿童所及范围之外，并且不要让不熟悉电动工具或对这些说明不了解的人操作电动工具。电动工具在未经培训的用户手中是危险的。
- ▶ 保养电动工具。检查运动件是否调整到位或卡住，检查零件被损情况和影响电动工具运行的其

他状况。如有损坏，电动工具应在使用前修理好。许多事故由维护不良的电动工具引发。

- ▶ **保持切削刀具锋利和清洁。** 保养良好的有锋利切削刃的刀具不易卡住而且容易控制。
- ▶ **按照使用说明书，考虑作业条件和进行的作业使用电动工具、附件和工具的刀头等。** 将电动工具用于那些与其用途不符的操作可能会导致危险。
- ▶ **保持手柄和握持表面干燥、清洁、无油污。** 在突发情况下，滑溜的手柄和握持表面无法确保安全地握持和控制工具。

维修

- ▶ **将电动工具用于那些与其用途不符的操作可能会导致危险。** 这样将确保所维修的电动工具的安全性。

针对研磨机的安全规章

- ▶ **要通过绝缘握持面来握持工具，因砂带可能会触及自身软线。** 磨削到带电导线会使工具外露的金属零件带电从而使操作者受到电击。
- ▶ **本电动工具仅可用于干法研磨。** 水进入电动工具将增加电击危险。
- ▶ **只有在启动后方可将本电动工具迎向工件，只有将本电动工具从工件上移开后方可将其关闭。** 本电动工具可能会突然移动。
- ▶ **切勿触碰正在运行的砂带。** 有受伤的危险。
- ▶ **请佩戴防护手套，切勿触碰正在运行的砂带。** 有受伤的危险。
- ▶ **要注意确保飞溅的火花不会伤到人。** 清除附近的可燃材料。研磨金属时会有火花飞溅。
- ▶ **不得使用已磨光、开裂或严重磨损的砂带。** 损坏的砂带可能会断裂、打滑偏移或伤人。
- ▶ **注意火灾危险！应避免磨料和研磨机过热。** 每次工作休息前都要清空集尘腔。集尘袋、微过滤器、纸袋（或者吸尘器的过滤袋或过滤器）内的磨削粉尘可能会在不良条件下（例如研磨金属时火花飞溅）被点燃。如果磨削粉尘与油漆或聚氨酯残余物或者其他化学原料混合，且磨料在长时间作业后产生高温时，会产生极大危险。
- ▶ **定期清洁电动工具的通风间隙。** 电动机风扇会将灰尘吸进机壳，过多的金属粉末沉积会导致电气危险。
- ▶ **固定好工件。** 使用固定装置或老虎钳固定工件，会比用手握工件更牢固。
- ▶ **等待电动工具完全静止后才能够放下机器。** 机器上的工具可能在工作中被夹住，而令您无法控制电动工具。
- ▶ **工作时要使用双手握紧电动工具并确保站稳。** 使用双手才能够稳定地操作电动工具。

产品和性能说明



请阅读所有安全规章和指示。不遵照以下警告和说明可能导致电击、着火和/或严重伤害。

请注意本使用说明书开头部分的图示。

按照规定使用

本电动工具适合在木材、塑料、金属、填隙料和涂了油漆的表面进行干式平面研磨工作，磨除率高。

插图上的机件

机件的编号和电动工具详解图上的编号一致。

- (1) 辅助手柄（绝缘握柄）
- (2) 砂带^{A)}
- (3) 砂带夹紧杆
- (4) 电源开关
- (5) 电源开关的锁定按钮
- (6) 集尘盒总成（微滤系统）
- (7) 吸尘适配接头^{A)}
- (8) 手柄（绝缘握柄）
- (9) 吸尘器转换接口
- (10) 集尘盒锁杆
- (11) 滤芯（微滤系统）
- (12) 砂带走向调节钮
- (13) 防护罩
- (14) 吸尘道

A) 图表或说明上提到的附件，并不包含在基本的供货范围中。本公司的附件清单中有完整的附件供应项目。

技术参数

砂带研磨机		GBS 75 A
物品代码		3 601 B74 0..
额定输入功率	瓦	710
输出功率	瓦	350
砂带空转转速	米/分钟	300
砂带长度	毫米	533
砂带宽度	毫米	75
机内吸尘装备/外接吸尘装备的接头		●
重量符合 EPTA-Procedure 01:2014	千克	3.2
保护等级		□/II

所有参数适用于230伏的额定电压[U]，对于其他不同的电压和国际规格，数据有可能不同。

安装

- ▶ **在电动工具上进行所有操作之前都必须从插座上拔出电源插头。**

吸锯尘/吸锯屑

含铅的颜料以及某些木材、矿物和金属的加工废尘有害健康。机器操作者或者工地附近的人如果接触、吸入这些废尘，可能会有过敏反应或者感染呼吸道疾病。

某些尘埃（例如加工橡木或山毛榉的废尘）可能致癌，特别是和处理木材的添加剂（例如木材的防腐

剂) 结合之后。只有经过专业训练的人才能够加工含石棉的物料。

- 尽可能使用适合物料的吸尘装置。
- 工作场所要保持空气流通。
- 最好佩戴P2滤网等级的口罩。

请留心并遵守贵国和加工物料有关的法规。

▶ **避免让工作场所堆积过多的尘垢。** 尘埃容易被点燃。

利用集尘盒自集尘 (见图A1-A4)

将集尘盒(6)装到吸尘适配接头(7)上, 直至卡止。

将吸尘适配接头(7)插到吸尘器转换接口(9)上。

清空集尘盒(6)时先按下集尘盒侧面的锁杆(10), 然后拔出集尘盒。

打开集尘盒(6)前, 请如图所示在固定底座上敲击集尘盒, 使灰尘从滤芯脱落。

抓住集尘盒(6)上的把手凹槽, 向上翻出滤芯(11), 然后清空集尘盒。用一支软刷清洁滤芯(11)膜片。

提示: 砂带研磨机具有高磨除率。为确保最佳集尘效果, 每运行5分钟后要清空一次集尘盒(6)并定期清洁滤芯(11)。

外部集尘

将集尘软管插到吸尘器转换接口(9)上。

将集尘软管与吸尘器连接。在本使用说明书的末尾可以找到各种集尘器的连接概览。

根据工件的物料选择合适的吸尘装置。

吸集可能危害健康, 可能导致癌症或干燥的废尘时, 务必使用特殊的吸尘装置。

更换砂带 (见图B)

- 将夹紧杆(3)完全转出。此时砂带(2)已经被松开, 可以取出。
- 放上新砂带(2)。请注意, 砂带内侧和电动工具外壳上的箭头方向应一致。
- 将夹紧杆(3)再次转回初始位置。
- 提起电动工具并接通电动工具。砂带走向将在开机时以及研磨过程期间自动对中。

请注意, 砂带(2)不得摩擦壳体。请定期检查砂带走向, 必要时用调节钮(12)修正走向。

选择砂带

根据要加工的材料和需要的表面磨除量提供不同的砂带:

	目数
red:Wood	40-240
用于加工所有木质材料	
对于初磨, 例如粗糙、未刨光的方木和木板	粗 40, 60
用于平面打磨和磨平轻微的不平整表面	中 80, 100, 120
在硬木上做最后的研磨和精磨工作	细 180, 240

运行

投入使用

▶ **注意电源电压!** 电源的电压必须和电动工具铭牌上标示的电压一致。标记为230伏电动工具用220伏的电压可以驱动。

接通/关闭

▶ **请确保握住手柄时可以开启/关闭开关。**

如要接通电动工具, 请按压电源开关(4)并按住。

如需锁定电源开关(4), 请按住该开关并另外按压锁定按钮(5)。

要关闭电动工具, 松开电源开关(4)。电源开关(4)锁住时, 先按压, 然后再松开。

工作提示

▶ **在电动工具上进行所有操作之前都必须从插座上拔出电源插头。**

研磨时的磨除率和工件表面质量主要由所选砂带以及预选的砂带速度决定。砂带的转速越高, 磨除率越大, 研磨后的工件表面越细。

使用完好的砂带才能够确保研磨功率, 并且保护电动工具。

尽可能使用较小的下压力操作电动工具, 以便提高砂带的使用寿命。电动工具的自重足以产生优异的研磨功率。过度下压机器不仅无法提高研磨功率, 反而会加重电动工具和砂带的磨损。

把已接通的电动工具放在工件的表面上。轻轻地推进机器, 磨轨必须彼此平行, 互相重叠。必须顺着木材纤维的走向研磨, 磨轨如果和木材纤维的走向交叉, 会破坏研磨效果。

特别在磨除残留的油漆时, 可能会造成油漆熔化并沾污工件表面和砂带。因此请配合吸尘装置工作。

不得使用研磨过金属的砂带去研磨其他物料。

请只使用Bosch原装研磨附件。

储放砂带时务必吊起砂带, 不可以弯折砂带, 经过弯折的砂带无法继续使用。

研磨较大的木材表面时, 如果使用研磨框(附件), 不仅研磨均匀而且可以设定磨除量。

维修和服务

保养和清洁

▶ **在电动工具上进行所有操作之前都必须从插座上拔出电源插头。**

▶ **电动工具和通气孔必须随时保持清洁, 以确保工作效率和工作安全。**

使用刷子清除附着在工件上的磨尘。

如果必须更换连接线, 务必把这项工作交给Bosch或者经授权的Bosch电动工具顾客服务执行, 以避免危害机器的安全性能。

清洁吸尘道 (见图C)

请不时地拆下防护罩(13)来清洁吸尘道(14), 以确保最佳吸尘效果。

客戶服務和應用諮詢

本公司顧客服務處負責回答有關本公司產品的修理、維護和備件的問題。備件的分解圖和信息也可查看：www.bosch-pt.com
博世應用諮詢團隊樂於就我們的產品及其附件問題提供幫助。

如需查詢和訂購備件，請務必提供產品型號銘牌上的10位數貨號。

香港和澳門特別行政區

羅伯特博世有限公司
香港北角英皇道625号,
21樓
客戶服務熱線: +852 2101 0235
傳真: +852 2590 9762
電子郵件: info@hk.bosch.com
www.bosch-pt.com.hk

中國大陸

博世電動工具（中國）有限公司，中國浙江省杭州市濱江區濱康路567号
102/1F服務中心
郵政編碼: 310052
電話: (0571) 8887 5566 / 5588
傳真: (0571) 8887 6688 x 5566# / 5588#
電郵: bsc.hz@cn.bosch.com

中華人民共和國

中國大陸

博世電動工具（中國）有限公司
博世服務中心
中國浙江省杭州市濱江區
濱康路567号,
310052
電話: (0571) 8887 5566 / 5588
傳真: (0571) 8887 6688 x 5566# / 5588#
電子郵件: bsc.hz@cn.bosch.com
www.bosch-pt.com.cn

處理廢棄物

必須以符合環保要求的方式回收再利用電動工具、附件和包裝材料。



請勿將電動工具扔到生活垃圾中！

繁體中文

安全注意事項

電動工具一般安全注意事項

警告 請詳讀工作臺及電動工具的所有安全警告與使用說明。若不遵照以下列出的指示，將可能導致電擊、著火和/或人員重傷。

保存所有警告和說明書以備查閱。

在所有警告中，「電動工具」此一名詞泛指：以市電驅動的（有線）電動工具或是以電池驅動的（無線）電動工具。

工作場地的安全

- ▶ **保持工作場地清潔和明亮。** 混亂和黑暗的場地會引發事故。
- ▶ **不要在易爆環境，如有易燃液體、氣體或粉塵的環境下操作電動工具。** 電動工具產生的火花會點燃粉塵或氣體。
- ▶ **讓兒童和旁觀者離開後操作電動工具。** 注意力不集中會使您失去對工具的控制。

電氣安全

- ▶ **電動工具插頭必須與插座相配。** 絕不能以任何方式改裝插頭。需接地的電動工具不能使用任何轉換插頭。未經改裝的插頭和相配的插座將減少電擊危險。
- ▶ **避免人體接觸接地表面，如管道、散熱片和冰箱。** 如果您身體接地會增加電擊危險。
- ▶ **不得將電動工具暴露在雨中或潮濕環境中。** 水進入電動工具將增加電擊危險。
- ▶ **不得濫用電線。** 絕不能用電線搬運、拉動電動工具或拔出其插頭。使電線遠離熱源、油、銳利邊緣或移動零件。受損或纏繞的軟線會增加電擊危險。
- ▶ **當在戶外使用電動工具時，使用適合戶外使用的延長線。** 適合戶外使用的軟線，將減少電擊危險。
- ▶ **如果在潮濕環境下操作電動工具是不可避免的，應使用剩餘電流動作保護器（RCD）。** 使用RCD可降低電擊危險。

人身安全

- ▶ **保持警覺，當操作電動工具時關注所從事的操作並保持清醒。** 當您感到疲倦，或在有藥物、酒精或治療反應時，不要操作電動工具。在操作電動工具時瞬間的疏忽會導致嚴重人身傷害。
- ▶ **使用個人防護裝置。** 始終佩戴防護目鏡。安全裝置，諸如適當條件下使用防塵面具、防滑安全鞋、安全帽、聽力防護等裝置能減少人身傷害。
- ▶ **防止意外起動。** 確保開關在連接電源和/或電池盒、拿起或搬運工具時處於關閉位置。手指放在已接通電源的開關上或開關處於接通時插入插頭可能會導致危險。

- ▶ 在電動工具接通之前，拿掉所有調節鑰匙或扳手。遺留在電動工具旋轉零件上的扳手或鑰匙會導致人身傷害。
- ▶ 手不要伸展得太長。時刻注意立足點和身體平衡。這樣在意外情況下能很好地控制電動工具。
- ▶ 著裝適當。不要穿寬鬆衣服或佩戴飾品。讓您的衣物及頭髮遠離運動部件。寬鬆衣服、佩飾或長髮可能會捲入運動部件中。
- ▶ 如果提供了與排屑、集塵設備連接用的裝置，要確保他們連接完好且使用得當。使用這些裝置可減少塵屑引起的危險。
- ▶ 切勿因經常使用工具所累積的熟練感而過度自信，輕忽工具的安全守則。任何一個魯莽的舉動都可能瞬間造成人員重傷。

電動工具使用和注意事項

- ▶ 不要濫用電動工具，根據用途使用適當的電動工具。選用適當設計的電動工具會使您工作更有效、更安全。
- ▶ 如果開關不能開啟或關閉工具電源，則不能使用該電動工具。不能用開關來控制的電動工具是危險的且必須進行修理。
- ▶ 在進行任何調整、更換配件或貯存電動工具之前，必須從電源上拔掉插頭並 / 或取出電池盒。這種防護性措施將減少工具意外起動的危險。
- ▶ 將閒置不用的電動工具貯存在兒童所及範圍之外，並且不要讓不熟悉電動工具或對這些說明不瞭解的人操作電動工具。電動工具在未經培訓的用戶手中是危險的。
- ▶ 保養電動工具與配備。檢查運動件是否調整到位或卡住，檢查零件破損情況和影響電動工具運行的其他狀況。如有損壞，電動工具應在使用前修理好。許多事故由維護不良的電動工具引發。
- ▶ 保持切削刀具鋒利和清潔。保養良好的有鋒利切削刃的刀具不易卡住而且容易控制。
- ▶ 按照使用說明書，考慮作業條件和進行的作業來使用電動工具、配件和工具的刀頭等。將電動工具用於那些與其用途不符的操作可能會導致危險。
- ▶ 把手及握持區應保持乾燥、潔淨，且不得沾染任何油液或油脂。易滑脫的把手及握持區將無法讓您在發生意外狀況時安全地抓緊並控制工具。

檢修

- ▶ 將您的電動工具送交專業維修人員，必須使用同樣的備件進行更換。這樣將確保所維修的電動工具的安全性。

砂磨機安全注意事項

- ▶ 因為砂磨表面可能會接觸到本身的電線，請利用絕緣握持表面拿持電動工具。切割「導電」電線可能導致電動工具外露的金屬部件「導電」，進而使操作人員遭受電擊。
- ▶ 本電動工具僅適用於乾式研磨。水進入電動工具將增加電擊危險。
- ▶ 先啟動電動工具再把工具放置到工件上進行加工，並且待您將它提離工件後才可將它關閉。移動此電動工具可能會有瞬間平衡之情形。

- ▶ 切勿碰觸運轉中的砂磨帶。人員可能有受傷之虞。
- ▶ 請戴上防護手套，切勿碰觸運轉中的砂磨帶。人員可能有受傷之虞。
- ▶ 請注意：噴濺的火花不會波及任何人。請將附近的易燃材料清走。研磨材料時會有火花噴濺。
- ▶ 請勿使用已完全磨損、已撕裂開來或嚴重受損的砂磨帶。受損的砂磨帶可能會扯破、被拋飛出來，進而造成人員受傷。
- ▶ 請注意：有失火之虞！請避免砂磨材料或砂帶機過熱。暫停作業之前請務必清空集塵容器。集塵袋、超微細過濾器、紙袋內（或吸塵器過濾袋 / 濾材內）的研磨粉塵可能在不利條件下自行點燃，例如研磨金屬時所產生的火花。尤其是當研磨粉塵若混入殘留的烤漆、聚胺酯或其他化學物質，而且在經過長時間運轉後砂磨材料的溫度又極高時，這種情形特別具危險性。
- ▶ 請定期清潔電動工具的通風口。電動機風扇會將灰塵吸進機殼，過多的金屬粉末沉積會導致電氣危險。
- ▶ 固定好工件。使用固定裝置或老虎鉗固定工件，會比用手持握工件更牢固。
- ▶ 必須等待電動工具完全靜止後才能將它放下。嵌件工具可能卡住而使電動工具失控。
- ▶ 作業期間請用雙手牢牢握緊電動工具並保持穩固。使用雙手才能夠更穩定地操作電動工具。

產品和功率描述



請詳讀所有安全注意事項和指示。如未遵守安全注意事項與指示，可能導致火災、人員遭受電擊及 / 或重傷。
請留意操作說明書中最前面的圖示。

依規定使用機器

本電動工具是設計用來進行乾式平面打磨。適用的材料包含木材、塑膠、金屬、填縫泥以及上漆表面。磨除效果強。

插圖上的機件

機件的編號和電動工具詳解圖上的編號一致。

- (1) 輔助手柄（絕緣握柄）
- (2) 磨砂帶^{A)}
- (3) 磨砂帶緊固扳桿
- (4) 起停開關
- (5) 起停開關鎖止按鈕
- (6) 集塵盒完整套件（超微細過濾器系統）
- (7) 吸塵轉接頭^{A)}
- (8) 把手（絕緣握柄）
- (9) 排塵接管
- (10) 集塵盒的鎖止扳片
- (11) 濾芯（超微細過濾器系統）
- (12) 磨砂帶運行軌跡調整鈕
- (13) 防護罩

(14) 塵道

- A) 圖表或說明上提到的配件，並不包含在基本的供貨範圍中。本公司的配件清單中有完整的配件供應項目。

技術性數據

砂帶研磨機	GBS 75 A	
產品機號	3 601 B74 0..	
額定輸入功率	W	710
輸出功率	W	350
無負載磨砂帶轉速	m/min	300
磨砂帶長度	mm	533
磨砂帶寬度	mm	75
機內吸塵裝備 / 外接吸塵裝備的接頭	●	
重量符合	kg	3.2
EPTA-Procedure 01:2014		
絕緣等級	□/II	

本說明書提供的參數是以 230 伏特為依據，於低電壓地區，此數據有可能不同。

安裝

- 維修電動工具或換裝零、配件之前，務必從插座上拔出插頭。

吸除廢塵 / 料屑

含鉛顏料、部分木材種類、礦石和金屬的加工廢塵有害健康。機器操作者或施工現場附近的人員如果接觸、吸入這些廢塵，可能會引發過敏反應或感染呼吸道疾病。

某些塵埃（例如加工橡木或山毛櫸的廢塵）可能致癌，特別是與處理木材的添加劑（例如木材的防腐劑等）結合之後。唯有受過專業訓練的人才能夠進行含石棉物料的加工。

- 儘可能使用適合物料的吸塵裝置。
- 工作場所要保持空氣流通。
- 建議佩戴 P2 過濾等級的口罩。

請留意並遵守貴國的物料加工相關法規。

- 避免讓工作場所堆積過多的塵垢。塵埃容易被點燃。

機內吸塵裝備，含集塵盒（請參考圖 A1-A4）

將集塵盒 (6) 套到吸塵轉接頭 (7) 上，直到卡緊為止。將吸塵轉接頭 (7) 插到排塵接管 (9) 上。

若要清空集塵盒 (6)，請按壓集塵盒側面的鎖止扳片 (10) 然後拔出集塵盒。

打開集塵盒 (6) 之前，應如圖所示將集塵盒往穩固平面上敲一敲，以便將濾芯上的塵垢抖鬆。

從拿握凹槽抓住集塵盒 (6)，將濾芯 (11) 往上翻開，然後將集塵盒倒空。用軟刷清潔濾芯 (11) 上的濾網層。

提示：砂帶研磨機擁有高磨除效率。為確保最佳吸塵效果，請固定在連續工作時間累積達 5 分鐘後清空集塵盒 (6)，並定期清潔濾芯 (11)。

外接其他吸塵裝置

將吸塵管 插到排塵接管 (9) 上。

將吸塵軟管與吸塵器連接起來。本手冊的最後面另外刊錄了連接不同類型吸塵器的操作概覽。

根據工件材質選擇合適的吸塵裝置。

吸集可能危害健康、可能致癌或乾燥的廢塵時，務必使用特殊吸塵裝置。

更換磨砂帶（請參考圖 B）

- 將緊固扳桿 (3) 翻轉至最外側。此時磨砂帶 (2) 即已鬆開，可將之取下。
- 套上新的磨砂帶 (2)。請注意：位於磨砂帶內側的箭頭必須與電動工具機殼上的箭頭方向一致。
- 將緊固扳桿 (3) 重新翻回原來位置。
- 提起電動工具並啟動電動工具。機器會在啟動時以及進行研磨時自動將磨砂帶的運行軌跡校正至置中對齊。

請注意：磨砂帶 (2) 不可磨到機殼。請定期檢查磨砂帶的運行軌跡，並視需要利用校正鈕 (12) 再後續調整。

選用磨砂帶

根據物料和需要的研磨效果，選擇合適的砂帶：

	粒度	
red:Wood	40-240	
加工任一種木質材料		
粗加工研磨，例如未刨平的粗 糙木樑及木板	粗	40、60
平面磨整以及整平凹凸不平處	中	80、 100、120
在硬木上進行的最後一道研磨 程序與精磨工作	細	180、240

操作

操作機器

- 請注意電源電壓！電源的電壓必須和電動工具銘牌上標示的電壓一致。標示為 230 V 的電動工具亦可接上 220 V 電源。

啟動 / 關閉

- 請確定您不用放開把手，就能操作起停開關。

若要啟動電動工具，請按下起停開關 (4) 並按住不放。

若要固定起停開關 (4) 的位置，請將它按住不放並同時按壓鎖止按鍵 (5)。

若要關閉電動工具，放開起停開關 (4) 即可。起停開關 (4) 的位置若是已被鎖定，請按一下該開關然後放開。

作業注意事項

- 維修電動工具或換裝零、配件之前，務必從插座上拔出插頭。

研磨時的磨除效率以及表面光潔度主要是由您選用的磨砂帶以及磨砂帶預設轉速決定。磨砂帶的轉速越高，磨除率越大，研磨後的工件表面越細。

使用完好無損的磨砂帶才能夠確保研磨功率佳，並且保護電動工具。

儘可能使用輕微的下壓力道操作電動工具，以提高磨砂帶的使用壽命。電動工具本身的重量已足以達到很好的研磨效果。在機器上施力過度，不僅無法提高研磨效率，機器反而容易損壞並加速磨砂帶耗損。

把已啟動的電動工具放到待加工的工件表面上。輕輕地推進機器。研磨軌跡必須彼此平行並互相重疊。必須順著木材纖維的走向研磨。研磨軌跡若與木材纖維走向交叉，將破壞研磨效果。

尤其是在磨除殘餘的漆料時，可能造成融化的油漆沾污了工件表面和磨砂帶。因此請您搭配吸塵裝置一起使用。

曾對金屬進行加工的磨砂帶就不應再用於其他材質。

僅可使用 **Bosch** 原廠研磨配件。

儲放磨砂帶時務必將它吊起，不可以彎折，彎折過的磨砂帶無法繼續使用。

在木材表面進行大面積的平面磨整時如果使用磨框（配件），不但可以確保獲取均勻的研磨效果並能夠控制磨除效率。

維修和服務

保養與清潔

▶ 維修電動工具或換裝零、配件之前，務必從插座上拔出插頭。

▶ 電動工具和通風口都必須保持清潔，這樣才能夠提高作品質和安全性。

用刷子清除黏附在工件上的磨塵。

如果必須更換連接線，請務必交由 **Bosch** 或者經授權的 **Bosch** 電動工具顧客服務執行，以避免危害機器的安全性能。

清潔塵道（請參考圖 C）

每隔一段時間請您取下防護罩 (13)，將塵道 (14) 清乾淨，以維持最佳吸塵效果。

顧客服務處和顧客諮詢中心

本公司顧客服務處負責回答有關本公司產品的維修、維護和備用零件的問題。如需分解圖和備件的資料，請至以下網頁：www.bosch-pt.com
若對本公司產品及其配件有任何疑問，博世應用諮詢小組很樂意為您提供協助。

當您需要諮詢或訂購備用零件時，請務必提供本產品銘牌上的 10 位零件編號。

台灣

台灣羅伯特博世股份有限公司
建國北路一段90號6樓
台北市10491

電話: (02) 2515 5388
傳真: (02) 2516 1176
www.bosch-pt.com.tw

製造商地址:

Robert Bosch Power Tools GmbH
羅伯特·博世電動工具有限公司
70538 Stuttgart / GERMANY
70538 斯圖加特/德國

廢棄物處理

必須以符合環保的方式，回收再利用損壞的機器、配件和廢棄的包裝材料。



不可以把電動工具丟入一般的家庭垃圾中。

한국어

안전 수칙

전동공구 일반 안전 수칙

⚠ 경고 본 전동공구와 함께 제공된 모든 안전경고, 지시사항, 그림 및 사양을 숙지하십시오. 다음의 지시 사항을 준수하지 않으면 감전, 화재, 또는 심각한 부상을 초래할 수 있습니다.

앞으로 참고할 수 있도록 이 안전수칙과 사용 설명서를 잘 보관하십시오.

다음에서 사용되는 "전동공구"라는 개념은 전원에 연결하여 사용하는 (전선이 있는) 전동 기기나 배터리를 사용하는 (전선이 없는) 전동 기기를 의미합니다.

작업장 안전

- ▶ 작업장을 항상 깨끗이 하고 조명을 밝게 하십시오. 작업장 환경이 어수선하거나 어두우면 사고를 초래할 수 있습니다.
- ▶ 가연성 유체, 가스 또는 분진이 있어 폭발 위험이 있는 환경에서 전동공구를 사용하지 마십시오. 전동공구는 분진이나 증기에 점화하는 스파크를 일으킬 수 있습니다.
- ▶ 전동공구를 사용할 때 구경꾼이나 어린이 혹은 다른 사람이 작업장에 접근하지 못하게 하십시오. 다른 사람이 주의를 산만하게 하면 기기에 대한 통제력을 잃기 쉽습니다.

전기에 관한 안전

- ▶ 전동공구의 전원 플러그가 전원 콘센트에 잘 맞아야 합니다. 플러그를 절대 변경시켜서는 안 됩니다. (접지된) 전동공구를 사용할 때 어댑터 플러그를 사용하지 마십시오. 변형되지 않은 플러그와 잘 맞는 콘센트를 사용하면 감전의 위험을 줄일 수 있습니다.

- ▶ 파이프 관, 라디에이터, 레인지, 냉장고와 같은 접지 표면에 몸이 닿지 않도록 하십시오. 몸에 닿을 경우 감전될 위험이 높습니다.
- ▶ 전동공구를 비에 맞지 않게 하고 습기 있는 곳에 두지 마십시오. 전동공구에 물이 들어가면 감전될 위험이 높습니다.
- ▶ 전원 코드를 잘못 사용하는 일이 없도록 하십시오. 전원 코드를 잡고 전동공구를 운반해서는 안 되며, 콘센트에서 전원 플러그를 뽑을 때 전원 코드를 잡아 당겨서는 절대로 안 됩니다. 전원 코드가 열과 오일에 접촉하는 것을 피하고, 날카로운 모서리나 기기의 가동 부위에 닿지 않도록 주의 하십시오. 손상되거나 영킨 전원 코드는 감전을 유발할 수 있습니다.
- ▶ 실외에서 전동공구로 작업할 때는 실외용으로 적당한 연장 전원 코드만을 사용하십시오. 실외용 연장 전원 코드를 사용하면 감전의 위험을 줄일 수 있습니다.
- ▶ 전동공구를 습기 찬 곳에서 사용해야 할 경우에는 누전 차단기를 사용하십시오. 누전 차단기를 사용하면 감전 위험을 줄일 수 있습니다.

사용자 안전

- ▶ 신중하게 작업하며, 전동공구를 사용할 때 경솔하게 행동하지 마십시오. 피로한 상태이거나 약물 복용 및 음주한 후에는 전동공구를 사용하지 마십시오. 전동공구를 사용할 때 잠시라도 주의가 산만해지면 중상을 입을 수 있습니다.
- ▶ 작업자 안전을 위한 장치를 사용하십시오. 항상 보안경을 착용하십시오. 전동공구의 종류와 사용에 따라 먼지 보호 마스크, 미끄러지지 않는 안전화, 안전모 또는 귀마개 등의 안전한 복장을 하면 상해의 위험을 줄일 수 있습니다.
- ▶ 실수로 기기가 작동되지 않도록 주의하십시오. 전동공구를 전원에 연결하거나 배터리를 끼우기 전에, 혹은 기기를 들거나 운반하기 전에, 전원 스위치가 꺼져 있는지 다시 확인하십시오. 전동공구를 운반할 때 전원 스위치가 손가락을 대거나 전원 스위치가 켜진 상태에서 전원을 연결하면 사고 위험이 높습니다.
- ▶ 전동공구를 사용하기 전에 조절하는 툴이나 키 등을 빼 놓으십시오. 회전하는 부위에 있는 툴이나 키로 인해 상해를 입을 수 있습니다.
- ▶ 자신을 과신하지 마십시오. 불안정한 자세를 피하고 항상 평형을 이룬 상태로 작업하십시오. 안정된 자세와 평형한 상태로 작업해야만 의외의 상황에서도 전동공구를 안전하게 사용할 수 있습니다.
- ▶ 알맞은 작업복을 입으십시오. 헐렁한 복장을 하거나 장신구를 착용하지 마십시오. 머리카락이 가동하는 기기 부위에 가까이 닿지 않도록 주의 하십시오. 헐렁한 복장, 장신구 혹은 긴 머리는 가동 부위에 말려 사고를 초래할 수 있습니다.
- ▶ 분진 추출장치나 수거장치의 조립이 가능한 경우, 이 장치가 연결되어 있는지, 제대로 작동이 되는지 확인하십시오. 이러한 분진 추출장치를 사용하면 분진으로 인한 사고 위험을 줄일 수 있습니다.

- ▶ 툴을 자주 사용한다고 해서 안주하는 일이 없게 하고 공구의 안전 수칙을 무시하지 않도록 하십시오. 부주의하게 취급하여 순간적으로 심각한 부상을 입을 수 있습니다.

전동공구의 올바른 사용과 취급

- ▶ 기기를 과부하 상태에서 사용하지 마십시오. 작업할 때 이에 적당한 전동공구를 사용하십시오. 알맞은 전동공구를 사용하면 지정된 성능 한도 내에서 더 효율적으로 안전하게 작업할 수 있습니다.
- ▶ 전원 스위치가 고장 난 전동공구를 사용하지 마십시오. 전원 스위치가 작동되지 않는 전동공구는 위험하므로, 반드시 수리를 해야 합니다.
- ▶ 전동공구를 조정하거나 액세서리 부품 교환 혹은 공구를 보관할 때, 항상 전원 콘센트에서 플러그를 미리 빼어 놓거나 배터리를 분리하십시오. 이러한 조치는 실수로 전동공구가 작동하게 되는 것을 예방합니다.
- ▶ 사용하지 않는 전동공구는 어린이 손이 닿지 않는 곳에 보관하고, 전동공구 사용에 익숙지 않거나 이 사용 설명서를 읽지 않은 사람은 기기를 사용해서는 안 됩니다. 경험이 없는 사람이 전동공구를 사용하면 위험합니다.
- ▶ 전동공구 및 액세서리를 조심스럽게 관리하십시오. 가동 부위가 하자 없이 정상적인 기능을 하는지, 걸리는 부위가 있는지, 혹은 전동공구의 기능에 중요한 부품이 손상되지 않았는지 확인하십시오. 손상된 기기의 부품은 전동공구를 다시 사용하기 전에 반드시 수리를 맡기십시오. 제대로 관리하지 않은 전동공구의 경우 많은 사고를 유발합니다.
- ▶ 절단 공구를 날카롭고 깨끗하게 관리하십시오. 날카로운 절단면이 있고 잘 관리된 절단공구는 걸리는 경우가 드물고 조절하기도 쉽습니다.
- ▶ 전동공구, 액세서리, 장착하는 공구 등을 사용할 때, 이 지시 사항과 특별한 기종 별로 나와있는 사용 방법을 준수하십시오. 이때 작업 조건과 실시하려는 작업 내용을 고려하십시오. 원래 사용 분야가 아닌 다른 작업에 전동공구를 사용할 경우 위험한 상황을 초래할 수 있습니다.
- ▶ 손잡이 및 잡는 면을 건조하게 유지하고, 오일 및 그리스가 묻어 있지 않도록 깨끗하게 하십시오. 손잡이 또는 잡는 면이 미끄러우면 예상치 못한 상황에서 안전한 취급 및 제어가 어려워집니다.

서비스

- ▶ 전동공구 수리는 반드시 전문 인력에게 맡기고, 수리 정비 시 보취 순정 부품만을 사용하십시오. 그렇게 함으로써 기기의 안전성을 오래 유지할 수 있습니다.

그라인더 관련 안전 수칙

- ▶ 샌딩 표면이 코드에 접촉할 수 있으므로, 전동공구의 절연된 손잡이 면만 잡으십시오. 샌딩 표면이 "전류가 흐르는" 전선에 접촉되면, 전동공구의 노출된 금속 부품에 "전류가 흐르는" 상태로 만들어 작업자가 감전될 수 있습니다.

- ▶ **본 전동공구는 건식 작업에만 사용하십시오.** 전동공구에 물이 들어가면 감전될 위험이 높습니다.
- ▶ **전동공구는 전원이 켜진 상태에서만 가공물 반대편으로 끼우고, 전동공구를 가공물에서 빼낸 후에 전원을 끄십시오.** 전동공구가 갑자기 움직일 수 있습니다.
- ▶ **샌딩 벨트가 작동하고 있을 경우에는 절대 건드리지 마십시오.** 부상을 입을 수 있습니다.
- ▶ **보호장갑을 착용하고 샌딩 벨트가 작동하고 있을 경우에는 절대 건드리지 마십시오.** 부상을 입을 수 있습니다.
- ▶ **불꽃이 튀어 부상을 입는 사람이 없도록 유의하십시오.** 근처에 가연성 물질이 남아 있지 않도록 하십시오. 금속 소재를 샌딩 작업할 경우 불꽃이 발생할 수 있습니다.
- ▶ **마모 혹은 균열되거나 심하게 막힌 샌딩 벨트는 사용하지 마십시오.** 샌딩 벨트가 손상된 경우 찢어지거나 분리되고 사람에게 부상을 입힐 수 있습니다.
- ▶ **주의 화재위험! 가공물과 그라인더가 과열되지 않도록 하십시오.** 작업을 중단하기 전에 항상 먼지 용기를 비우십시오. 먼지백, 마이크로 필터, 종이백 (또는 필터 주머니 또는 집진기의 필터)에 있는 그라인딩 분진은 금속 그라인딩 작업 시 불꽃을 발생시키거나 자체적으로 점화될 수 있습니다. 특히 그라인딩 분진이 페인트 잔여물, 폴리우레탄 잔여물 또는 기타 화학물질과 섞이고, 오랜 작업 후 가공물이 뜨거워진 상황에서는 훨씬 위험합니다.
- ▶ **전동공구의 통풍구를 정기적으로 깨끗이 닦으십시오.** 모터 팬이 하우징 안으로 분진을 끌어들이며, 금속 분진이 많이 쌓이면 전기적인 위험을 야기할 수 있습니다.
- ▶ **작업물을 잘 고정하십시오.** 고정장치나 기계 바이스에 끼워서 작업하면 손으로 잡는 것보다 더 안전합니다.
- ▶ **전동공구를 내려놓기 전에 기기가 완전히 멈추었는지 확인하십시오.** 삽입공구가 걸리거나 전동공구에 대한 통제가 어려워질 수 있습니다.
- ▶ **전동 공구를 양손으로 꼭 잡고 안전한 자세로 작업하십시오.** 전동공구를 양손으로 잡고 움직이면 더 안전합니다.

제품 및 성능 설명



모든 안전 수칙과 지침을 숙지하십시오. 다음의 안전 수칙과 지침을 준수하지 않으면 화재 위험이 있으며 감전 혹은 중상을 입을 수 있습니다.

사용 설명서 앞 부분에 제시된 그림을 확인하십시오.

규정에 따른 사용

본 전동공구는 목재, 플라스틱, 금속, 혼합재 그리고 도장된 표면에 높은 강도로 건식 샌딩 작업을 하는데 사용해야 합니다.

제품의 주요 명칭

제품의 주요 명칭에 표기되어 있는 번호는 기기 그림이 나와있는 면을 참고하십시오.

- (1) 보조 손잡이(절연된 손잡이 부위)
- (2) 샌딩 벨트^{A)}
- (3) 샌딩 벨트 고정 레버
- (4) 전원 스위치
- (5) 전원 스위치 잠금 버튼
- (6) 분진 박스 세트(Microfilter System)
- (7) 흡입 어댑터^{A)}
- (8) 손잡이(절연된 손잡이 부위)
- (9) 연결 부위
- (10) 분진 박스용 잠금 레버
- (11) 필터 부위(Microfilter System)
- (12) 벨트 케드 조절 다이얼
- (13) 안전 커버
- (14) 분진 통로

A) 도면이나 설명서에 나와있는 액세스리는 표준 공급부품에 속하지 않습니다. 전체 액세스리는 저희 액세스리 프로그램에 참고하십시오.

제품 사양

벨트 샌더		GBS 75 A
제품 번호		3601B740..
소비 전력	W	710
출력	W	350
무부하 시 벨트 속도	m/min	300
샌딩 벨트 길이	mm	533
샌딩 벨트 폭	mm	75
자체/외부 분진 추출장치 연결		●
EPTA-Procedure 01:2014에 따른 중량	kg	3.2
보호 등급		IP/II

자료는 정격전압 [U] 230V를 기준으로 한 것입니다. 전압이 다른 경우 및 국가별 사양에 따라 변동이 있을 수 있습니다.

조립

- ▶ 전동공구를 보수 정비하기 전에 반드시 콘센트에서 전원 플러그를 빼십시오.

분진 및 틈밥 추출장치

납 성분을 포함한 페인트나 몇몇 나무 종류, 또는 광물 성분 그리고 철과 같은 재료의 분진은 건강을 해칠 수 있습니다. 이 분진을 만지거나 호흡할 경우, 사용자나 주변 사람들이 알레르기 반응이나 호흡기 장애를 일으킬 수 있습니다.

떡갈나무나 너도밤나무와 같은 특정한 분진은 암을 유발시키며, 특히 목재 처리용으로 사용되는 부가 원료 (크로마트, 목재 보호제)와 혼합되면 암을 유

발시하게 됩니다. 석면 성분을 포함한 재료는 전문
가만 작업할 수 있습니다.

- 가능하면 작업물 소재에 적당한 분진 추출장치를
사용하십시오.
- 작업장의 통풍이 잘 되도록 하십시오.
- 필터등급 P2가 장착된 호흡 마스크를 사용하십
시오.

작업용 재료에 관해 국가가 지정한 규정을 고려하십
시오.

▶ **작업장에 분진이 쌓이지 않도록 하십시오.** 분진
이 쉽게 발화할 수 있습니다.

**분진 박스를 통한 자체 분진 처리
(그림 A1~A4 참고)**

분진 박스 세트 (6) 가 맞물려 고정될 때까지 흡입
어댑터 (7) 쪽으로 미십시오. 흡입 호스 (7) 를 연결
부위 (9) 에 끼우십시오.

분진 박스 (6) 를 비우려면 분진 박스 측면에 있는
잠금 레버 (10) 를 누른 다음, 분진 박스를 아래로
빼내십시오.

분진 박스 (6) 를 열기 전에 그림에 나와 있는 것처럼
단단한 바닥에 두드려 필터 부위에 있는 분진을
분리하는 것이 좋습니다.

분진 박스 (6) 의 손잡이 파인 부분을 잡은 채, 필터
(11) 를 위로 당긴 후 분진 박스를 비웁니다. 필터
(11) 의 걸면은 부드러운 솔로 깨끗이 닦으십시오.

지침: 벨트 샌더는 제거율이 높습니다. 분진 제거 성
능을 최적으로 유지하려면, 작동 시간 5분이 지나면
분진 박스 (6) 를 적시에 비워주고 정기적으로 필터
(11) 를 청소해 주어야 합니다.

외부 분진 처리

흡입 호스 를 연결 부위 (9) 에 끼우십시오.

흡입 호스 를 진공 청소기에 연결하십시오. 다양한
진공 청소기 연결에 관한 정보는 본 설명서의 마지
막 부분에서 확인할 수 있습니다.

진공 청소기는 작업하는 소재에 적당한 것이어야 합
니다.

특히 건강에 유해한 발암성 혹은 건조한 분진을 처
리해야 할 경우에는 특수한 청소기를 사용해야 합니
다.

샌딩 벨트 교체하기(그림 B 참고)

- 고정 레버 (3) 를 완전히 돌려 젖히십시오. 그러
면 샌딩 벨트 (2) 가 풀려 분리할 수 있습니다.
- 새로운 샌딩 벨트 (2) 를 설치하십시오. 샌딩 벨
트 안쪽에 있는 화살표와 전동공구 하우징에 있
는 화살표가 일치하는지 확인하십시오.
- 고정 레버 (3) 를 다시 원래 위치로 돌리십시오.
- 전동공구를 든 상태로 스위치를 켜십시오. 스위
치를 켤 때 및 샌딩 작업 도중에는 자동으로 벨트
의 궤도의 중심이 맞춰집니다.

이때 샌딩 벨트 (2) 가 하우징에 닿지 않도록 주의
하십시오. 정기적으로 벨트 궤도를 점검하고, 필요
한 경우 조절 다이얼 (12) 로 제대로 맞추십시오.

샌딩 벨트의 선택

작업하려는 소재와 원하는 제거율에 따라 다양한 샌
딩 벨트가 있습니다:

		입자 크기	
red:Wood		40-240	
전체 목재 작업용			
거칠고 대패질하지 않은 각목 이나 판자에 초벌 연마 작업할 때	기본	40, 60	
작고 고르지 않은 부위에 매끄 럽게 연마하거나 고르게 연마 작업할 때	중간	80, 100, 120	
경질 목재에 최종 미세 연마 작 업할 때	미세	180, 240	

작동

기계 시동

▶ **전원의 전압에 유의하십시오!** 공급되는 전원의
전압은 전동공구의 명판에 표기된 전압과 동일해
야 합니다. 230 V 로 표시된 전동공구는 220 V에
서도 작동이 가능합니다.

전원 스위치 작동

▶ **손잡이에서 손을 떼지 않고 전원 스위치를 작동
할 수 있는지 확인하십시오.**

전동공구를 **켜려면** 전원 스위치 (4) 를 누른 상태로
유지하십시오.

전원 스위치 (4) 를 누른 상태로 **고정하려면** 잠금
버튼 (5) 을 위로 누릅니다.

전동공구의 **전원을 끄려면** 전원 스위치 (4) 에서 손
을 떼십시오. 전원 스위치 (4) 가 잠긴 상태에서는
먼저 전원 스위치를 눌렀다가 손을 떼십시오.

사용 방법

▶ **전동공구를 보수 정비하기 전에 반드시 콘센트에서
전원 플러그를 빼십시오.**

샌딩 작업 시 제거율과 표면 품질은 주로 사용된 샌
딩 벨트의 유형 및 설정한 벨트 속도에 따라 달라집
니다. 벨트 속도가 빠르면 빠를수록, 많이 깎이며 샌
딩 표면이 섬세해집니다.

아무런 하자가 없는 샌딩 벨트를 사용해야만 훌륭한
연마작업 결과를 얻을 수 있고 전동공구를 보호할
수 있습니다.

최소한의 압력으로 작업을 하면 샌딩 벨트의 수명을
연장할 수 있습니다. 전동공구의 자체 무게는 높은
작업 효율을 달성하기에 충분합니다. 지나치게 눌러
작업을 하면, 샌딩 성능이 좋아지는 것이 아니라 전
동공구와 샌딩 벨트가 더 빨리 소모됩니다.

전동공구의 스위치가 켜진 상태에서 가공할 표면에
대십시오. 적절한 이송 속도로 작업을 진행하고, 작
업 경로가 나란히 서로 겹치게 하십시오. 결 방향대
로 샌딩 작업을 해야 하며, 샌딩 마크가 가로로 놓이
면 샌딩 결과에 문제가 생길 수 있습니다.

특히 페인트 잔여물 제거 시 페인트가 녹아 내려 가공물 표면과 샌딩 벨트가 더러워질 수 있습니다. 그러므로 분진 추출 장치와 함께 작업하십시오.

금속 소재에 사용했던 샌딩 벨트를 다른 소재에 사용해서는 안 됩니다.

Bosch 순정 샌딩 액세서리만 사용하십시오.

샌딩 벨트는 접으면 더 이상 사용할 수 없게 되므로 보관할 때 항상 겹쳐서 접히지 않도록 하십시오.

넓은 목재 표면에 평면 샌딩작업을 할 경우 샌딩 프레임(액세서리)을 사용하면 일정하고 정확한 샌딩이 가능합니다.

보수 정비 및 서비스

보수 정비 및 유지

▶ 전동공구를 보수 정비하기 전에 반드시 콘센트에서 전원 플러그를 빼십시오.

▶ 안전하고 올바른 작동을 위하여 전동공구와 전동공구의 통공구를 항상 깨끗이 하십시오.

붙어서 떨어지지 않는 샌딩 분진은 솔로 제거하십시오.

연결 코드를 교환해야 할 경우 안전을 기하기 위해

Bosch 또는 **Bosch** 지정 전동공구 서비스 센터에 맡겨야 합니다.

분진 통로 청소하기(그림 C 참조)

가끔 안전 커버 (13) 를 빼고 분진 통로 (14) 를 깨끗이 닦아 주면, 흡입 성능을 정상적으로 유지할 수 있습니다.

AS 센터 및 사용 문의

AS 센터에서는 귀하 제품의 수리 및 보수정비, 그리고 부품에 관한 문의를 받고 있습니다. 대체 부품에 관한 분해 조립도 및 정보는 인터넷에서도 찾아볼 수 있습니다 - www.bosch-pt.com

보수 사용 문의 팀에서는 보수의 제품 및 해당 액세서리에 관한 질문에 기꺼이 답변 드릴 것입니다. 전문 작업자 및 개인 작업자를 위한 인터넷 포털

문의나 대체 부품 주문 시에는 반드시 제품 네임 플레이트에 있는 10자리의 부품번호를 알려 주십시오.

콜센터

080-955-0909

처리

기와 액세서리 및 포장 등은 환경 친화적인 방법으로 재생할 수 있도록 분류하십시오.



전동공구를 가정용 쓰레기로 처리하지 마십시오!

ไทย

คำเตือนเพื่อความปลอดภัย

คำเตือนเพื่อความปลอดภัยทั่วไปสำหรับเครื่องมือไฟฟ้า

คำเตือน อ่านคำเตือนเพื่อความปลอดภัย คำแนะนำ ภาพประกอบ และข้อมูล

จำเพาะทั้งหมดที่จัดส่งมาพร้อมกับเครื่องมือไฟฟ้า

การไม่ปฏิบัติตามคำแนะนำนี้ทั้งหมดที่ระบุไว้ด้านล่าง

ล่างนี้อาจทำให้ถูกไฟฟ้าดูด เกิดไฟไหม้ และ/หรือได้รับบาดเจ็บอย่างร้ายแรง

เจ็บอย่างร้ายแรง

เก็บรักษาคำเตือนและคำสั่งทั้งหมดสำหรับเปิดอ่านในภายหลัง

คำว่า "เครื่องมือไฟฟ้า" ในคำเตือนหมายถึง เครื่องมือไฟฟ้าของท่านที่ทำงานด้วยพลังงานไฟฟ้าจากแหล่งจ่ายไฟหลัก (มีสายไฟฟ้า) และเครื่องมือไฟฟ้าที่ทำงานด้วยพลังงานไฟฟ้าจากแบตเตอรี่ (ไร้สาย)

ความปลอดภัยในสถานที่ทำงาน

▶ รักษาสถานที่ทำงานให้สะอาดและมีไฟส่องสว่างดี

สถานที่ที่มีมืดหรือการจ้องน้ามานาซึ่งอุบัติเหตุ

▶ อย่าใช้เครื่องมือไฟฟ้าทำงานในสภาพบรรยากาศที่จุด

ติดไฟได้ เช่น ในที่มีมีของเหลวไวไฟ ก๊าซ หรือฝุ่น

เมื่อใช้เครื่อง

มือไฟฟ้าจะเกิดประกายไฟซึ่งอาจจุดฝุ่นหรือไอให้ลุกเป็นไฟได้

▶ ขณะใช้เครื่องมือไฟฟ้าทำงาน ต้องกั้นเด็กและผู้ยืมดูให้ออกห่าง

การหันเหความสนใจอาจทำให้ท่านขาดการควบคุมเครื่องได้

ความปลอดภัยเกี่ยวกับไฟฟ้า

▶ ปลั๊กของเครื่องมือไฟฟ้าต้องเหมาะสมพอดีกับเต้าเสียบ

อย่าตัดแปลงปลั๊กไม่ว่าในลักษณะใดๆ อย่างเด็ดขาด

อย่าใช้ปลั๊กฟ่วงต่อใดๆ กับเครื่องมือไฟฟ้าที่มีสายดิน

ปลั๊กที่ไม่ตัดแปลงและเต้าเสียบที่เข้ากันช่วยลดความ

เสี่ยงจากการถูกไฟฟ้าดูด

▶ หลีกเลี่ยงอย่าให้ร่างกายสัมผัสกับพื้นผิวที่ต่อสายดินหรือ

ลงกราวด์ไว้ เช่น ท่อ เครื่องทำความร้อน เตา และตู้

เย็น จะเสี่ยงอันตรายจากการถูกไฟฟ้าดูดมาก

ขึ้นหากกระแสไฟฟ้าวิ่งผ่านร่างกายของท่านลงดิน

- ▶ **อย่าให้เครื่องมือไฟฟ้าถูกฝนหรืออยู่ในสภาพเปียกชื้น** หากน้ำเข้าในเครื่องมือไฟฟ้า จะเพิ่มความเสี่ยงจากการถูกไฟฟ้าดูด
- ▶ **อย่าใช้สายไฟฟ้าในทางที่ผิด** อย่าใช้สายไฟฟ้าที่ยึดติด หรือถอดปลั๊กเครื่องมือไฟฟ้า ถิ่นสายไฟฟ้าออกห่างจากความร้อน น้ำมัน ขอบแหลมคม หรือชิ้นส่วนที่เคลื่อนที่ สายไฟฟ้าที่ชำรุดหรือพันกันยุ่งเพิ่มความเสี่ยงจากการถูกไฟฟ้าดูด
- ▶ **เมื่อใช้เครื่องมือไฟฟ้าทำงานกลางแจ้ง ให้ใช้สายไฟ** ดึงที่เหมาะสมสำหรับการใช้งานกลางแจ้ง การใช้สายไฟดัดที่เหมาะสมสำหรับงานกลางแจ้ง การใช้สายไฟดัดที่เหมาะสมสำหรับงานกลางแจ้ง การช่วยลดอันตรายจากการถูกไฟฟ้าดูด
- ▶ **หากไม่สามารถหลีกเลี่ยงการใช้เครื่องมือไฟฟ้าทำงาน** ในสถานที่เปียกชื้นได้ ให้ใช้สวิตช์ตัดวงจรเมื่อเกิดการรั่วไหลของไฟฟ้าจากสายดิน (RCD) การใช้สวิตช์ตัดวงจรเมื่อเกิดการรั่วไหลของไฟฟ้าจากสายดินช่วยลดความเสี่ยงต่อการถูกไฟฟ้าดูด

ความปลอดภัยของบุคคล

- ▶ **ท่านต้องอยู่ในสภาพเตรียมพร้อม ระมัดระวัง** ในสิ่งที่ท่านกำลังทำอยู่ และมีสติขณะใช้เครื่องมือไฟฟ้าทำงาน อย่าใช้เครื่องมือไฟฟ้าขณะที่ท่านกำลังเหนื่อย หรืออยู่ภายใต้การครอบงำของฤทธิ์ของยาเสพติด แอลกอฮอล์ และยา เมื่อใช้เครื่องมือไฟฟ้าทำงานในชั่วขณะที่ท่านขาดความเอาใจใส่อาจทำให้บุคคลบาดเจ็บอย่างรุนแรงได้
- ▶ **ใช้อุปกรณ์ปกป้องร่างกาย สวมแว่นตาป้องกันเสมอ** อุปกรณ์ปกป้อง เช่น หน้ากากกันฝุ่น รองเทากันลื่น หมวกกันชน หรือประคบหูกันเสียงดังที่ใช้ตามความเหมาะสมกับสภาพการทำงาน จะลดการบาดเจ็บทางร่างกาย
- ▶ **ป้องกันการติดเครื่องโดยไม่ตั้งใจ ตรวจสอบให้แน่ใจ** ว่าสวิตช์อยู่ในตำแหน่งปิดก่อนเชื่อมต่อเข้ากับแหล่งจ่ายไฟ และ/หรือแบตเตอรี่เพ็ค ยกหรือถือเครื่องมือถือเครื่องโดยใช้นิ้วหัวที่สวิตช์ หรือเสียบปลั๊กไฟฟ้าขณะสวิตช์เปิดอยู่ อาจนำไปสู่อุบัติเหตุที่ร้ายแรงได้
- ▶ **นำเครื่องมือปรับแต่งหรือประแจปากค้ายออกก่อนเปิด** สวิตช์เครื่องมือไฟฟ้า เครื่องมือหรือประแจปากค้ายที่วางอยู่กับส่วนของเครื่องที่กำลังหมุนจะทำให้บุคคลบาดเจ็บได้
- ▶ **อย่าเอื้อมไกลเกินไป** ตั้งขาขึ้นที่มั่นคงและวางน้ำหนักให้สมดุลตลอดเวลา ในลักษณะนี้ท่านสามารถควบคุมเครื่องมือไฟฟ้าในสถานการณ์ที่ไม่คาดคิดได้ดีกว่า
- ▶ **แต่งกายอย่างเหมาะสม** อย่าใส่เสื้อผ้าหลวมหรือสวมเครื่องประดับ เหน็บและเสื้อผ้าออกห่างจากชิ้นส่วนที่

เคลื่อนที่ เสื้อผ้าหลวม เครื่องประดับ และผมยาวอาจเข้าไปติดในชิ้นส่วนที่เคลื่อนที่

- ▶ **หากเครื่องมือไฟฟ้ามีข้อเชื่อมต่อกับเครื่องดูดฝุ่นหรือเครื่องเก็บผง ให้ตรวจสอบให้แน่ใจว่า** ได้เชื่อมต่อและใช้งานอย่างถูกต้อง การใช้อุปกรณ์ดูดฝุ่นช่วยลดอันตรายที่เกิดจากฝุ่นได้
- ▶ **เมื่อใช้งานเครื่องบดครั้งจะเกิดความคุ้นเคย** อย่าให้ความคุ้นเคยทำให้ท่านเกิดความล้าใจและละเลยกฎเกณฑ์ด้านความปลอดภัยในการใช้งานเครื่อง การทำงานอย่างไม่ระมัดระวังอาจทำให้เกิดการบาดเจ็บอย่างร้ายแรงภายในเสี้ยววินาที

การใช้และการดูแลรักษาเครื่องมือไฟฟ้า

- ▶ **อย่างสิ้นกำลังเครื่องมือไฟฟ้า ใช้เครื่องมือไฟฟ้าที่ถูก** ต้องตรงตามลักษณะงานของท่าน เครื่องมือไฟฟ้าที่ถูกต้องจะทำงานได้ดีกว่าและปลอดภัยกว่าในระดับสมรรถภาพที่ออกแบบไว้
- ▶ **อย่าใช้เครื่องมือไฟฟ้าถ้าสวิตช์ไม่สามารถเปิดปิดได้** เครื่องมือไฟฟ้าที่ไม่สามารถควบคุมการเปิดปิดด้วยสวิตช์ได้ เป็นเครื่องมือไฟฟ้าที่ไม่ปลอดภัยและต้องส่งซ่อมแซม
- ▶ **ก่อนปรับแต่งเครื่อง เปลี่ยนอุปกรณ์ประกอบ หรือเก็บ** เครื่องเข้าที่ ต้องถอดปลั๊กออกจากแหล่งจ่ายไฟ และ/หรือถอดแบตเตอรี่เพ็คออกจากเครื่องมือไฟฟ้าหากถอดออกได้ มาตรการป้องกันเพื่อความปลอดภัยซึ่งช่วยลดความเสี่ยงจากการติดเครื่องโดยไม่ตั้งใจ
- ▶ **เมื่อเลิกใช้งานเครื่องมือไฟฟ้า ให้เก็บเครื่องไว้ในที่ที่** เด็กหยิบไม่ถึง และไม่อนุญาตให้บุคคลที่ไม่คุ้นเคยกับเครื่องหรือบุคคลที่ไม่ได้อ่านคำแนะนำเหล่านี้ใช้เครื่องมือไฟฟ้าเป็นของอันตรายหากตกอยู่ในมือของผู้ใช้ที่ไม่ได้รับการฝึกฝน
- ▶ **บำรุงรักษาเครื่องมือไฟฟ้าและอุปกรณ์ประกอบ** ตรวจสอบชิ้นส่วนที่เคลื่อนที่ว่าวางไม่ตรงแนวหรือติดขัดหรือไม่ ตรวจสอบการแตกหักของชิ้นส่วนและสภาพอื่นใดที่อาจมีผลต่อการทำงานของเครื่องมือไฟฟ้า หากชำรุดต้องส่งเครื่องมือไฟฟ้าไปซ่อมแซมก่อนใช้งาน อุบัติเหตุหลายอย่างเกิดขึ้นเนื่องจากดูแลรักษาเครื่องไม่ดีพอ
- ▶ **รักษาเครื่องมือตัดให้คมและสะอาด** หากบำรุงรักษาเครื่องมือที่มีขอบตัดแหลมคมอย่างถูกต้อง จะสามารถตัดได้ลื่นไม่ติดขัดและควบคุมได้ง่ายกว่า
- ▶ **ใช้เครื่องมือไฟฟ้า อุปกรณ์ประกอบ เครื่องมือ และอุปกรณ์** อื่นๆ ตรงตามคำแนะนำเหล่านี้ โดยคำนึงถึงเงื่อนไขการทำงานและงานที่จะทำ การใช้เครื่อง

มือไฟฟ้าทำงานที่ต่างไปจากวัตถุประสงค์การ
ใช้งานของเครื่อง อาจนำไปสู่สถานการณ์ที่เป็นอันตรายได้

- ▶ **ดูแลคัมจับและพื้นผิวจับให้แห้ง สะอาด และปราศจาก
ความชื้นและจาระบี** คัมจับและพื้นผิว
จับที่ลื่นทำให้หือจับได้ไม่ปลอดภัย
และไม่สามารถควบคุมเครื่องมือในสถานการณ์ที่ไม่คาดคิด

การบริการ

- ▶ **ส่งเครื่องมือไฟฟ้าของท่านเข้ารับบริการจากช่าง
ซ่อมที่มีคุณสมบัติเหมาะสม โดยใช้อะไหล่ที่เหมือน
กันเท่านั้น** ในลักษณะนี้ท่านจะแน่ใจได้ว่าเครื่อง
มือไฟฟ้าอยู่ในสภาพที่ปลอดภัย

คำเตือนเพื่อความปลอดภัยสำหรับเครื่องขัด

- ▶ **จับเครื่องมือไฟฟ้าตรงพื้นผิวจับที่หุ้มฉนวนเนื่องจากพื้น
ผิวขัดอาจสัมผัสสายไฟฟ้าของตัวเครื่องเอง** หากตัดสาย
ที่ “มีกระแสไฟฟ้า” ไหลผ่าน จะทำให้ชิ้นส่วนโลหะที่ไม่ได้
หุ้มฉนวนของเครื่องมือไฟฟ้าเกิด “มีกระแสไฟฟ้า” ด้วย
และส่งผลให้ผู้ใช้งานเครื่องถูกไฟฟ้าดูดได้
- ▶ **ใช้เครื่องมือไฟฟ้าสำหรับการขัดแห้งเท่านั้น**
หากนำเข้าไปในเครื่องมือไฟฟ้า จะเพิ่มความเสี่ยงต่อการ
ถูกไฟฟ้าดูด
- ▶ **จับเครื่องมือไฟฟ้าเข้าหาชิ้นงานเมื่อเครื่องเปิดสวิ
ทช์อยู่เท่านั้น และปิดสวิทช์เครื่องมือโดยยกเครื่องออก
จากชิ้นงานแล้วเท่านั้น** เครื่องมือไฟฟ้าอาจเคลื่อนที่อย่าง
กะทันหัน
- ▶ **อย่าสัมผัสสายพานกระดาดทรายที่กำลังวิ่งอยู่อย่างเด็ด
ขาด** อันตรายจากการบาดเจ็บ
- ▶ **สวมถุงมือป้องกัน และ**
**อย่าสัมผัสสายพานกระดาดทรายที่กำลังวิ่งอยู่อย่างเด็ด
ขาด** อันตรายจากการบาดเจ็บ
- ▶ **ตรวจสอบให้แน่ใจว่าจะไม่มีบุคคลใดได้
รับอันตรายจากประกายไฟ นำวัตถุใดๆ
ที่ติดไฟได้ในบริเวณใกล้เคียงออกไป** จะเกิดประกาย
ไฟเมื่อขัดโลหะ
- ▶ **อย่าใช้สายพานกระดาดทรายที่เสื่อมสภาพ ฉีกขาด
หรืออุดตันมาก** สายพานกระดาดทรายที่ชำรุดอาจฉีก
ขาดเป็นชิ้นๆ ถูกเหวี่ยงจากเครื่อง และทำให้ผู้อื่นบาดเจ็บ
ได้
- ▶ **ระวังอันตรายจากไฟไหม้!** หลีกเลี่ยงการทำวัสดุชิ้น
งานและเครื่องขัดร้อนเกินไป ถ่ายผงออกจากกล่องเก็บ
ผงก่อนพักงานทุกครั้ง ในสถานการณ์ที่ไม่เหมาะสม ต. ย.
เช่น เมื่อเกิดประกายไฟขณะขัดโลหะ เศษผงที่ได้จากการ
ขัดที่อยู่ในถุงเก็บผง เครื่องกรองไมโคร หรือถุงกระดาด
(หรือในถุงกรอง หรือตัวกรองของเครื่องดูดฝุ่น) อาจจุด
ลุกเป็นไฟขึ้นเองได้ จะเป็นอันตรายอย่างยิ่งเมื่อเมื่อเศษ

ผงผสมปนกับเศษสารเคลือบเงา เศษโพลียูรีเทน
หรือเศษวัสดุเคมีอื่นๆ และเมื่อเศษผงขัดเกิดร้อนขึ้นหลัง
จากใช้เครื่องทำงานเป็นเวลานาน

- ▶ **ทำความสะอาดช่องระบายอากาศของเครื่องมือไฟฟ้า
อย่างสม่ำเสมอ** พัดลมของมอเตอร์จะดูดผง
ฝุ่นเข้าไปในหีบครอบ และผงโลหะที่พอกสะสมกันมาก
อาจทำให้เกิดอันตรายจากไฟฟ้าได้
- ▶ **ยึดชิ้นงานให้แน่น** การยึดชิ้นงานด้วยเครื่องหนีบหรือแท่น
จับจะมั่นคงกว่าการยึดด้วยมือ
- ▶ **รอให้เครื่องมือไฟฟ้าหยุดสนิทก่อนวางเครื่องลงบนพื้น**
เครื่องมือที่ใส่อยู่อาจติดขัดและทำให้สูญเสียการ
ควบคุมเครื่องมือไฟฟ้า
- ▶ **จับเครื่องมือไฟฟ้าให้แน่นด้วยมือทั้งสองข้างและตั้งท่า
ยืนให้มั่นคงขณะทำงาน** ท่านจะสามารถนำทางเครื่องมือ
ไฟฟ้าได้ปลอดภัยกว่าเมื่อจับเครื่องด้วยมือทั้งสองข้าง

รายละเอียดผลิตภัณฑ์และข้อมูล

จำเพาะ



**อ่านคำเตือนเพื่อความปลอดภัยและคำ
แนะนำทั้งหมด** การไม่ปฏิบัติตามคำเตือนและ
คำสั่งอาจเป็นสาเหตุให้ถูกไฟฟ้าดูด เกิดไฟไหม้
และ/หรือได้รับบาดเจ็บอย่างร้ายแรง
กรุณาดูภาพประกอบในส่วนหน้าของคู่มือการใช้งาน

ประโยชน์การใช้งานของเครื่อง

เครื่องมือไฟฟ้านี้ใช้สำหรับขัดพื้นผิวแห้งบนไม้ พลาสติก โลหะ
วัสดุอัดแทรก และผิวเคลือบเงา – มีอัตราการขัดออกสูง

ส่วนประกอบที่แสดงภาพ

ลำดับเลขของส่วนประกอบผลิตภัณฑ์อ้างอิงถึงส่วน
ประกอบของเครื่องที่แสดงในหน้าภาพประกอบ

- (1) คัมจับเพิ่ม (พื้นผิวจับหุ้มฉนวน)
- (2) สายพานกระดาดทราย ^{A)}
- (3) คันหนีบสายพานกระดาดทราย
- (4) สวิทช์เปิด-ปิด
- (5) มุมล้อคให้สวิทช์เปิด-ปิดทำงาน
- (6) กล่องเก็บผง สมบูรณ์แบบ (Microfilter System)
- (7) ข้อต่อท่อดูดออก ^{A)}
- (8) คัมจับ (พื้นผิวจับหุ้มฉนวน)
- (9) ท่อระบายออก
- (10) ก้านล้อคสำหรับกล่องเก็บผง

(11) ตัวกรอง (Microfilter System)

(12) บุ่มปรับการวิ่งของสายพาน

(13) ฝาครอบป้องกันอันตราย

(14) ทางผ่านเศษผง

- A) อุปกรณ์ประกอบที่แสดงภาพหรืออธิบายไม่รวมอยู่ในการจัดส่งมาตรฐาน
กรุณาดูอุปกรณ์ประกอบทั้งหมดในรายการแสดงอุปกรณ์ประกอบของเรา

ข้อมูลทางเทคนิค

เครื่องขัดกระดาษทราย		GBS 75 A
สายพาน		
หมายเลขสินค้า		3 601 B74 0..
กำลังไฟฟ้าที่ติดตั้งเข้า	วัตต์	710
กำลังไฟฟ้าออก	วัตต์	350
ความเร็วสายพานขณะเดินตัวเปล่า	ม./นาที่	300
ความยาวสายพานกระดาษทราย	มม.	533
ความกว้างสายพานกระดาษทราย	มม.	75
การเชื่อมต่อสำหรับการดูดฝุ่นภายใน/ภายนอก		●
น้ำหนักตามระเบียบการ EPTA-Procedure 01:2014	กก.	3.2
ระดับความปลอดภัย		☐/

ค่าที่ให้ไว้ใช้ได้กับแรงดันไฟฟ้าอิมินอล [U] 230 โวลต์ค่าเหล่านี้ อาจเปลี่ยนแปลงไปสำหรับแรงดันไฟฟ้าที่แตกต่างกัน และโมเดลที่ผลิตสำหรับเฉพาะประเทศ

การติดตั้ง

▶ **ดึงปลั๊กไฟออกจากเต้าเสียบก่อนปรับแต่งเครื่อง**

การดูดฝุ่น/ซีลื้อย

ฝุ่นที่ได้จากวัสดุ เช่น เคลือบผิวที่มีสารตะกั่ว โม่บางประเภท แร่ธาตุ และโลหะ อาจเป็นอันตรายต่อสุขภาพ การสัมผัสหรือการหายใจเอาฝุ่นเข้าไปอาจทำให้เกิดปฏิกิริยาแพ้ฝุ่น และ/หรือนำมาซึ่งโรคติดเชื้อระบบหายใจแก่ผู้ใช้เครื่องหรือผู้ที่ยืนอยู่ใกล้เคียง
ฝุ่นบางประเภท เช่น ฝุ่นไม้โอ๊ก หรือไม้บีช นับเป็นสารที่ทำให้เกิดมะเร็ง โดยเฉพาะอย่างยิ่งเมื่อผสม

กับสารเติมแต่งเพื่อบำบัดไม้ (โครเมต ผลิตภัณฑ์รักษาเนื้อไม้) สำหรับวัสดุที่มีแอสเบสทอสตองให้ผู้เชี่ยวชาญทำงานเท่านั้น

- ใช้ระบบดูดฝุ่นออกที่เหมาะสมกับประเภทวัสดุ มากเท่าที่จะทำได้
- จัดสถานที่ทำงานให้มีการระบายอากาศที่ดี
- ขอแนะนำให้สวมหน้ากากป้องกันการติดเชื้อที่มีระดับ-ISO กรอง P2

ปฏิบัติตามกฎข้อบังคับสำคัญอื่นๆ ที่เกี่ยวกับวัสดุชิ้นงานที่บังคับใช้ในประเทศของท่าน

- ▶ **ป้องกันการสะสมของฝุ่นในสถานที่ทำงาน**
ฝุ่นสามารถถูกใหม่อย่างง่ายดาย

การดูดฝุ่นในตัวด้วยกล่องเก็บผง

(คุณภาพประกอบ A1-A4)

สวมกล่องเก็บผง (6) เข้าบนข้อต่อที่ถอดออก (7) จนเข้าล็อก สวมข้อต่อที่ถอดออก (7) เข้าบนท่อระบายออก (9) เมื่อต้องการถ่ายผงออกจากกล่องเก็บผง (6) ให้กดคาน์ล็อก (10) บนด้านข้างของกล่องเก็บผง และดึงกล่องเก็บผงออกก่อนเปิดกล่องเก็บผง (6) ท่านควรเคาะกล่องเก็บผงบนพื้นผิวแข็งๆ เพื่อคลายผงออกจากตัวกรองดังแสดงในภาพประกอบจับกล่องเก็บผง (6) ตรงส่วนหัว พับตัวกรอง (11) ขึ้นด้านบนและถ่ายผงออก ทำความสะอาดครีบบนตัวกรอง (11) ด้วยแปรงขนอ่อน

หมายเหตุ: เครื่องขัดกระดาษทรายสายพานมีอัตราการขัดออกสูงเพื่อให้สามารถดูดฝุ่นออกได้ดีที่สุด ให้ถ่ายผงออกจากกล่องเก็บผง (6) อย่างสม่ำเสมอหลังจากใช้งานไป 5 นาที และทำความสะอาดตัวกรอง (11) อย่างสม่ำเสมอ

การดูดฝุ่นด้วยเครื่องดูดฝุ่นภายนอก

สวมท่อดูดฝุ่น เข้าบนท่อระบายออก (9)

ต่อท่อดูดฝุ่น เข้ากับเครื่องดูดฝุ่น กรุณาดูภาพรวมการเชื่อมต่อด้วยเครื่องดูดฝุ่นต่างๆ ในตอนท้ายของคู่มือการใช้งาน เครื่องดูดฝุ่นต้องมีลักษณะการใช้งานที่เหมาะสมกับประเภทวัสดุชิ้นงาน

ในกรณีดูดฝุ่นแห้งที่เป็นอันตรายต่อสุขภาพอย่างยิ่งหรืออาจก่อให้เกิดมะเร็งได้ ให้ใช้เครื่องดูดฝุ่นพิเศษ

การเปลี่ยนสายพานกระดาษทราย

(คุณภาพประกอบ B)

- หมุนคันหนีบ (3) ออกจนสุด ดันนี้สายพานกระดาษทราย (2) จะคลายออกและสามารถถอดออกมาได้
- ใส่สายพานกระดาษทรายเส้นใหม่ (2) เข้าไป ตรวจสอบให้แน่ใจว่าทิศทางลูกศรที่ด้านในสายพานกระดาษทราย ตรงกับทิศทางบนครอมเครื่องมือไฟฟ้า
- หมุนคันหนีบ (3) กลับเข้าตำแหน่งเดิม

- ยกเครื่องมือไฟฟ้าขึ้นและเปิดสวิตช์ การวิ่งของสายพานจะถูกปรับให้อยู่ตรงกลางโดยอัตโนมัติเมื่อเปิดสวิตช์เครื่อง และใน ระหว่างกระบวนการขัด

ตรวจสอบให้แน่ใจว่าสายพานกระดาดทราย (2) ไม่เสียดสีกับคอมเครื่อง ตรวจสอบการวิ่งของสายพานอย่างสม่ำเสมอและปรับด้วยปุ่มปรับ (12) หากจำเป็น

การเลือกสายพานกระดาดทราย

เลือกไฟสายพานกระดาดทรายชนิดต่างๆ กัน ตามประเภทวัสดุชิ้นงาน และตามความหนาบางที่ต้องการขัดออก

ขนาดเม็ดทราย

Red! Wood

40–240

สำหรับขัดวัสดุที่หยากร ไม้ทั้งหมด

สำหรับขัดหยาบ ด.ย. เช่น ไม้คาน และแผ่นกระดานที่ขรุขระไม่ราบเรียบ	หยาบ	40, 60
สำหรับขัดแต่งพื้นผิวและปรับผิวขรุขระเล็กน้อยให้เรียบ	ปานกลาง	80, 100, 120
สำหรับขัดสำเร็จและขัดละเอียดไม้เนื้อแข็ง	ละเอียด	180, 240

การปฏิบัติงาน

การเริ่มต้นปฏิบัติงาน

- ▶ ให้สังเกตแรงดันไฟฟ้า! แรงดันไฟฟ้าจากแหล่งจ่ายไฟฟ้าต้องมีค่าตรงกับค่าแรงดันไฟฟ้าที่ระบุไว้บนแผ่นป้ายพิกัดเครื่อง เครื่องมือไฟฟ้าที่มีเครื่องหมาย 230 โวลต์ สามารถใช้งานกับ 220 โวลต์ ได้ด้วย

การเปิด-ปิดเครื่อง

- ▶ ตรวจสอบให้แน่ใจว่าท่านสามารถใช้งานสวิตช์เปิด-ปิดได้โดยไม่ต้องปล่อยคัมจับ

เปิดสวิตช์เครื่องมือไฟฟ้าโดยกดสวิตช์เปิด-ปิด (4) และกดค้ำไว้

ล็อคสวิตช์เปิด-ปิด (4) โดยกดสวิตช์เปิด-ปิดค้ำไว้ และกดปุ่มล็อคสวิตช์เปิด-ปิด (5) เพิ่ม

ปิดสวิตช์เครื่องมือไฟฟ้าโดยปล่อยนิ้วจากสวิตช์เปิด-ปิด (4) ในกรณีที่สวิตช์เปิด-ปิด (4) ถูกล็อคอยู่ ให้กดสวิตช์เปิด-ปิดก่อนและปล่อยนิ้ว

ข้อแนะนำในการทำงาน

- ▶ ดึงปลั๊กไฟออกจากเต้าเสียบก่อนปรับแต่งเครื่อง

การเลือกสายพานกระดาดทรายและความเร็วของสายพานที่ตั้งไว้ล่วงหน้าคือปัจจัยหลักที่กำหนดคุณภาพพื้นผิวและอัตราการขัดออก ยิ่งสายพานมีความเร็วสูง ยิ่งขัดออกได้มาก และพื้นผิวที่ขัดยังมีความละเอียดมาก

สายพานกระดาดทรายสภาพดีเท่านั้นที่จะขัดได้ดีและทำให้เครื่องมือไฟฟ้ามีอายุการใช้งานยาวนานขึ้น

ทำงานโดยใช้แรงกดขั้นต่ำที่สุดเท่าที่เป็นไปได้ ทั้งนี้เพื่อยืดอายุการใช้งานของสายพานกระดาดทราย น้ำหนักของเครื่องมือไฟฟ้าเองเพียงพอสำหรับการขัดที่ดี การเพิ่มแรงกดขัดมากเกินไปจะไม่เพิ่มประสิทธิภาพการขัด แต่จะทำให้เครื่องมือไฟฟ้าและสายพานกระดาดทรายสึกหรอมากขึ้น

จับเครื่องมือไฟฟ้าเข้าหาชิ้นงานเฉพาะเมื่อเครื่องเปิดสวิตช์อยู่เท่านั้น ทำงานโดยป้อนเครื่องไปข้างหน้าด้วยความเร็วปานกลาง และขัดเป็นแนวขนานและทับซ้อนเส้นทางขัด ขัดตามทิศทางของเส้นใย การขัดขวางลายทำให้ได้ผลขัดที่ไม่ราบเรียบ

โดยเฉพาะอย่างยิ่งเมื่อขัดเคลือบเงาตกค้าง เคลือบเงาอาจหลอมละลายและทำให้พื้นผิวของชิ้นงานและสายพานกระดาดทรายเบียดและบิด ดังนั้นให้ทำงานพร้อมการดูดฝุ่นออก

สายพานกระดาดทรายที่ขัดโลหะไปแล้ว ไม่ควรนำมาขัดวัสดุประเภทอื่น

ใช้เฉพาะอุปกรณ์ขัดของแท้ Bosch เท่านั้น

เก็บรักษาสายพานกระดาดทรายโดยการแขวนไว้เท่านั้น และอย่าพึ่งออเพราะจะทำให้สายพานใช้งานไม่ได้ ครอบขัด (อุปกรณ์ประกอบ) ช่วยให้สามารถขัดออกได้อย่างสม่ำเสมอและควบคุมได้ เมื่อขัดครบบนพื้นผิวไม่ขนาดใหญ่กว่า

การบำรุงรักษาและการบริการ

การบำรุงรักษาและการทำความสะอาด

- ▶ ดึงปลั๊กไฟออกจากเต้าเสียบก่อนปรับแต่งเครื่อง
- ▶ เพื่อให้ทำงานได้อย่างถูกต้องและปลอดภัย ต้องรักษาเครื่องและช่องระบายอากาศให้สะอาดอยู่เสมอ

ใช้แปรงปัดผงขัดที่ติดแน่นออก

หากจำเป็นต้องเปลี่ยนสายไฟฟ้า ต้องส่งเครื่องให้ Bosch หรือศูนย์บริการหลังการขายที่ได้รับมอบหมายสำหรับเครื่องมือไฟฟ้า Bosch เปลี่ยนให้ ทั้งนี้เพื่อหลีกเลี่ยงอันตราย

การทำความสะอาดทางผ่านเศษผง (ดูภาพประกอบ C)

ถอดฝาครอบป้องกันอันตราย (13) ออกและทำความสะอาดทางผ่านเศษผง (14) เป็นครั้งคราว เพื่อให้กำลังการดูดยังคงอยู่ในระดับดีเยี่ยม

การบริการหลังการขายและการให้คำปรึกษาการ ใช้งาน

ศูนย์บริการหลังการขายของเรายินดีตอบคำถามของท่านที่เกี่ยวกับการบำรุงรักษาและการซ่อมแซมผลิตภัณฑ์รวมทั้งเรื่องอะไหล่ ภายแยกชิ้นและข้อมูลเกี่ยวกับอะไหล่ยังสามารถดูได้ใน: www.bosch-pt.com
ทีมงานที่ปรึกษาของ บอช ยินดีให้ข้อมูลเกี่ยวกับผลิตภัณฑ์ของเราและอุปกรณ์ประกอบต่างๆ

เมื่อต้องการสอบถามและสั่งซื้ออะไหล่ กรุณาแจ้งหมายเลขสินค้า 10 หลักบนแผ่นป้ายรุ่นของผลิตภัณฑ์ทุกครั้ง

ไทย

ไทย บริษัท โรเบิร์ต บอช จำกัด

เอฟวายไอ เซ็นเตอร์ อาคาร 1 ชั้น 5

เลขที่ 2525 ถนนพระราม 4

แขวงคลองเตย เขตคลองเตย

กรุงเทพฯ 10110

โทร: +66 2012 8888

แฟกซ์: +66 2064 5800

www.bosch.co.th

ศูนย์บริการซ่อมและฝึกอบรม บอช

อาคาร ลาซาลทาวเวอร์ ชั้น G ห้องเลขที่ 2

บ้านเลขที่ 10/11 หมู่ 16

ถนนศรีนครินทร์

ตำบลบางแก้ว อำเภอบางพลี

จังหวัดสมุทรปราการ 10540

ประเทศไทย

โทรศัพท์ 02 7587555

โทรสาร 02 7587525

การกำจัดขยะ

เครื่องมือไฟฟ้า อุปกรณ์ประกอบ และหีบห่อ ต้องนำ

ไปแยกประเภทวัสดุเพื่อการรีไซเคิลที่เป็นมิตรต่อสิ่งแวดล้อม



อย่าทิ้งเครื่องมือไฟฟ้าลงในขยะครัวเรือน!

Bahasa Indonesia

Petunjuk Keselamatan

Petunjuk keselamatan umum untuk perkakas listrik

⚠ PERINGATAN Baca semua peringatan, petunjuk, ilustrasi, dan spesifikasi

keselamatan yang diberikan bersama perkakas listrik

ini. Kesalahan dalam menjalankan petunjuk di bawah ini dapat mengakibatkan sengatan listrik, kebakaran, dan/atau cedera serius.

Simpanlah semua peringatan dan petunjuk untuk penggunaan di masa mendatang.

Istilah "perkakas listrik" dalam peringatan mengacu pada perkakas listrik yang dioperasikan dengan listrik (menggunakan kabel) atau perkakas listrik yang dioperasikan dengan baterai (tanpa kabel).

Keamanan tempat kerja

- ▶ **Jaga kebersihan dan pencahayaan area kerja.** Area yang berantakan atau gelap dapat memicu kecelakaan.
- ▶ **Jangan mengoperasikan perkakas listrik di lingkungan yang dapat memicu ledakan, seperti adanya cairan, gas, atau debu yang mudah terbakar.** Perkakas listrik dapat memancarkan bunga api yang kemudian mengakibatkan debu atau uap terbakar.
- ▶ **Jauhkan dari jangkauan anak-anak dan pengamat saat mengoperasikan perkakas listrik.** Gangguan dapat menyebabkan hilangnya kendali.

Keamanan listrik

- ▶ **Steker perkakas listrik harus sesuai dengan stopkontak. Jangan pernah memodifikasi steker. Jangan menggunakan steker adaptor bersama dengan perkakas listrik yang terhubung dengan sistem grounding.** Steker yang tidak dimodifikasi dan stopkontak yang cocok akan mengurangi risiko sengatan listrik.
- ▶ **Hindari kontak badan dengan permukaan yang terhubung dengan sistem grounding, seperti pipa, radiator, kompor, dan lemari es.** Terdapat peningkatan risiko terjadinya sengatan listrik jika badan Anda terhubung dengan sistem grounding.
- ▶ **Perkakas listrik tidak boleh terpapar hujan atau basah.** Air yang masuk ke dalam perkakas listrik menambah risiko terjadinya sengatan listrik.
- ▶ **Jangan menyalahgunakan kabel. Jangan gunakan kabel untuk membawa, menarik, atau melepas steker perkakas listrik. Jauhkan kabel dari panas, minyak, tepi yang tajam, atau komponen yang bergerak.** Kabel listrik yang rusak atau tersangkut menambah risiko terjadinya sengatan listrik.
- ▶ **Saat mengoperasikan perkakas listrik di luar ruangan, gunakan kabel ekstensi yang sesuai untuk penggunaan di luar ruangan.** Penggunaan kabel yang

cocok untuk pemakaian di luar ruangan mengurangi risiko terjadinya sengatan listrik.

- ▶ **Jika perkakas listrik memang harus dioperasikan di tempat yang lembap, gunakan pemutus arus listrik residu (RCD).** Penggunaan RCD akan mengurangi risiko terjadinya sengatan listrik.

Keselamatan personel

- ▶ **Tetap waspada, perhatikan aktivitas yang sedang dikerjakan dan gunakan akal sehat saat mengoperasikan perkakas listrik. Jangan gunakan perkakas listrik saat mengalami kelelahan atau di bawah pengaruh narkoba, alkohol, atau obat-obatan.** Jika perkakas listrik dioperasikan dengan daya konsentrasi yang rendah, hal tersebut dapat menyebabkan cedera serius.
 - ▶ **Gunakan peralatan pelindung diri. Selalu kenakan pelindung mata.** Penggunaan perlengkapan pelindung seperti penutup telinga, helm, sepatu anti licin, dan masker debu akan mengurangi cedera.
 - ▶ **Hindari start yang tidak disengaja. Pastikan switch berada di posisi off sebelum perkakas listrik dihubungkan ke sumber daya listrik dan/atau baterai, diangkat, atau dibawa.** Membawa perkakas listrik dengan jari menempel pada tombol atau perkakas listrik dalam keadaan hidup dapat memicu kecelakaan.
 - ▶ **Singkirkan kunci penyetel atau kunci pas sebelum menghidupkan perkakas listrik.** Perkakas atau kunci pas yang masih menempel pada komponen perkakas listrik yang berputar dapat menyebabkan cedera.
 - ▶ **Jangan melampaui batas. Berdirilah secara mantap dan selalu jaga keseimbangan.** Hal ini akan memberikan kontrol yang lebih baik terhadap perkakas listrik pada situasi yang tak terduga.
 - ▶ **Kenakan pakaian dengan wajar. Jangan mengenakan perhiasan atau pakaian yang longgar. Jauhkan rambut dan pakaian dari komponen yang bergerak.** Pakaian yang longgar, rambut panjang, atau perhiasan dapat tersangkut dalam komponen yang bergerak.
 - ▶ **Jika disediakan perangkat untuk sambungan pengisapan debu dan alat pengumpulan, pastikan perangkat tersebut terhubung dan digunakan dengan benar.** Penggunaan alat pengumpulan dapat mengurangi bahaya yang disebabkan oleh debu.
 - ▶ **Jangan berpuas diri dan mengabaikan prinsip keselamatan karena terbiasa mengoperasikan perkakas.** Tindakan yang kurang hati-hati dapat mengakibatkan cedera serius dalam waktu seperseian detik.
- Penggunaan dan pemeliharaan perkakas listrik**
- ▶ **Jangan memaksakan perkakas listrik. Gunakan perkakas listrik yang sesuai untuk pekerjaan yang dilakukan.** Perkakas listrik yang sesuai akan bekerja dengan lebih baik dan aman sesuai tujuan penggunaan.
 - ▶ **Jangan gunakan perkakas listrik dengan switch yang tidak dapat dioperasikan.** Perkakas listrik yang

switchnya yang tidak berfungsi dapat menimbulkan bahaya dan harus diperbaiki.

- ▶ **Lepaskan steker dari sumber listrik dan/atau lepas baterai, jika dapat dilepaskan dari perkakas listrik sebelum menyetel, mengganti aksesoris, atau menyimpan perkakas listrik.** Tindakan preventif akan mengurangi risiko menghidupkan perkakas listrik secara tidak disengaja.
- ▶ **Jauhkan dan simpan perkakas listrik dari jangkauan anak-anak dan jangan biarkan orang-orang yang tidak mengetahui cara menggunakan perkakas listrik, mengoperasikan perkakas listrik.** Perkakas listrik dapat membahayakan jika digunakan oleh orang-orang yang tidak terlatih.
- ▶ **Lakukan pemeliharaan perkakas listrik dan aksesoris. Periksa komponen yang bergerak apabila tidak lurus atau terikat, kerusakan komponen, dan kondisi lain yang dapat mengganggu pengoperasian perkakas listrik. Apabila rusak, perbaiki perkakas listrik sebelum digunakan.** Kecelakaan sering terjadi karena perkakas listrik tidak dirawat dengan baik.
- ▶ **Jaga ketajaman dan kebersihan alat.** Alat pemotong dengan pisau pemotong yang tajam dan dirawat dengan baik tidak akan mudah tersangkut dan lebih mudah dikendalikan.
- ▶ **Gunakan perkakas listrik, aksesoris, dan komponen perkakas dll sesuai dengan petunjuk ini, dengan mempertimbangkan kondisi kerja dan pekerjaan yang akan dilakukan.** Penggunaan perkakas listrik untuk tujuan berbeda dari fungsinya dapat menyebabkan situasi yang berbahaya.
- ▶ **Jaga gagang dan permukaan genggam agar tetap kering, bersih, dan bebas dari minyak dan lemak.** Gagang dan permukaan genggam yang licin tidak menjamin keamanan kerja dan kontrol alat yang baik pada situasi yang tidak terduga.

Servis

- ▶ **Minta teknisi berkualifikasi untuk menyervis perkakas listrik dengan hanya menggunakan suku cadang yang identik.** Dengan demikian, hal ini akan memastikan keamanan perkakas listrik.

Petunjuk keselamatan untuk gerinda

- ▶ **Pegang perkakas listrik pada permukaan gagang isolator karena permukaan pengampelas dapat bersentuhan dengan kabelnya sendiri.** Memotong kabel yang dialiri listrik dapat menyebabkan bagian logam perkakas listrik dialiri listrik, sehingga berisiko mengakibatkan sengatan listrik pada operator.
- ▶ **Hanya gunakan perkakas listrik untuk melakukan pengerindaan kering.** Air yang masuk ke dalam perkakas listrik menambah risiko terjadinya kontak listrik.
- ▶ **Nyalakan perkakas listrik hanya ketika perkakas listrik menyentuh benda kerja dan matikan setelah perkakas listrik diangkat dari benda kerja.** Perkakas listrik dapat bergerak secara tiba-tiba.

- ▶ **Jangan menyentuh sabuk gerinda yang sedang bergerak.** Terdapat risiko cedera.
- ▶ **Gunakan sarung tangan pelindung dan jangan menyentuh sabuk gerinda yang sedang bergerak.** Terdapat risiko cedera.
- ▶ **Pastikan tidak ada orang yang terkena bahaya percikan api. Jauhkan material yang mudah terbakar dari sekitar perkakas listrik.** Penggerindaan logam akan menghasilkan percikan api.
- ▶ **Jangan gunakan sabuk gerinda yang sudah mengalami keausan, sobek, atau sudah sangat usang.** Sabuk gerinda yang rusak dapat sobek, terlempar, dan melukai seseorang.
- ▶ **Waspada terhadap risiko terbakar! Hindari benda kerja dan gerinda agar tidak menjadi terlalu panas. Kosongkan kontainer debu sebelum Anda menghentikan pekerjaan sementara.** Debu penggerindaan pada kantong debu, microfilter, kantong kertas (atau pada kantong filter atau filter pengisap debu) dapat terbakar dengan sendirinya pada kondisi tertentu, misalnya akibat percikan api saat menggerinda logam. Khususnya, terdapat bahaya jika debu penggerindaan tercampur dengan sisa cat, sisa poliuretana, atau bahan kimia lainnya dan benda kerja dalam keadaan panas setelah penggerindaan dalam waktu yang lama.
- ▶ **Bersihkan lubang ventilasi pada perkakas listrik secara rutin.** Kipas angin motor menarik debu ke dalam rumahannya dan debu logam dalam jumlah yang besar dan listrik bisa mengakibatkan bahaya.
- ▶ **Gunakan alat kerja dengan aman.** Benda yang ditahan dalam alat pemegang atau bais lebih aman daripada benda yang dipegang dengan tangan.
- ▶ **Sebelum meletakkan perkakas listrik, tunggulah hingga perkakas berhenti berputar.** Alat kerja dapat tersangkut dan menyebabkan perkakas listrik tidak dapat dikendalikan.
- ▶ **Pegang erat perkakas listrik dengan kedua tangan selama mengoperasikannya dan pastikan Anda berdiri di posisi aman.** Gunakan perkakas listrik dengan kedua tangan secara hati-hati.

Spesifikasi produk dan performa



Bacalah semua petunjuk keselamatan dan petunjuk penggunaan. Kesalahan dalam menjalankan petunjuk keselamatan dan petunjuk penggunaan dapat mengakibatkan kontak listrik, kebakaran, dan/atau luka-luka yang berat.

Perhatikan ilustrasi yang terdapat pada sisi sampul panduan pengoperasian.

Tujuan penggunaan

Perkakas listrik ini digunakan untuk mengampelas permukaan yang kering – dengan kinerja pembersihan yang tinggi – pada kayu, plastik, logam, permukaan berdempul dan dicat.

Ilustrasi komponen

Nomor-nomor dari bagian-bagian perkakas pada gambar sesuai dengan gambar perkakas listrik pada halaman bergambar.

- (1) Gagang tambahan (permukaan genggam berisolator)
- (2) Pita ampelas^{A)}
- (3) Tuas penjepit pita ampelas
- (4) Tombol on/off
- (5) Tombol pengunci untuk tombol on/off
- (6) Kotak debu lengkap (Microfilter System)
- (7) Adaptor pengisap^{A)}
- (8) Gagang (permukaan genggam berisolator)
- (9) Saluran pembuangan
- (10) Tuas pengunci kotak debu
- (11) Elemen filter (Microfilter System)
- (12) Knop penyetulan untuk pita
- (13) Kap pelindung
- (14) Saluran debu

A) **Aksesori yang ada pada gambar atau yang dijelaskan tidak termasuk dalam lingkup pengiriman standar. Semua aksesori yang ada dapat Anda lihat dalam program aksesori kami.**

Data teknis

Mesin ampelas pita	GBS 75 A	
Nomor seri		3 601 B74 0..
Input daya nominal	W	710
Daya output	W	350
Kecepatan pita tanpa beban	m/min	300
Panjang pita ampelas	mm	533
Lebar pita ampelas	mm	75
Sambungan untuk pengisapan dalam/luar		●
Berat sesuai dengan EPTA-Procedure 01:2014	kg	3,2
Klasifikasi keamanan		□ / II

Data-data berlaku untuk tegangan nominal [U] 230 V. Pada tegangan yang lebih rendah dan pada model khusus mancanegara data-data ini bisa berlainan.

Pemasangan

- ▶ **Sebelum mulai dengan pekerjaan pada perkakas listrik, tariklah steker dari stopkontak.**

Pengisapan debu/serbuk

Debu dari bahan-bahan seperti cat yang mengandung timbal, beberapa jenis kayu, bahan mineral dan logam dapat berbahaya bagi kesehatan. Menyentuh atau menghirup debu tersebut dapat mengakibatkan reaksi alergi dan/atau penyakit saluran pernapasan bagi pengguna atau orang yang berada di dekatnya.

Beberapa debu tertentu seperti misalnya debu kayu pohon ek atau pohon fagus silvatica dianggap dapat mengakibatkan penyakit kanker, terutama dalam campuran dengan bahan-bahan tambahan untuk pengolahan kayu (kromat, obat pengawet kayu). Bahan-bahan yang mengandung asbestos hanya boleh dikerjakan oleh orang-orang yang ahli.

- Gunakanlah hanya pengisap debu yang cocok untuk mengisap bahan yang dikerjakan.
- Pastikan terdapat ventilasi udara yang baik di tempat kerja.
- Dianjurkan untuk memakai masker anti debu dengan filter kelas P2.

Taatilah peraturan-peraturan untuk bahan-bahan yang dikerjakan yang berlaku di negara Anda.

- **Hindari debu yang banyak terkumpul di tempat kerja.**
Debu dapat tersulut dengan mudah.

Ekstraksi otomatis dengan kotak debu (lihat gambar A1–A4)

Pasang kotak debu (6) ke adaptor pengisap (7) hingga terkunci. Pasang adaptor pengisap (7) ke saluran pembuangan (9).

Untuk mengosongkan kotak debu (6), tekan tuas pengunci (10) pada sisi kotak debu dan lepaskan kotak debu.

Sebelum membuka kotak debu (6), ketuk kotak debu pada permukaan yang keras seperti terlihat pada gambar untuk membersihkan debu dari elemen filter.

Pegang kotak debu (6) pada celah pegangannya, balikkan elemen filter (11) ke atas dan kosongkan kotak debu.

Bersihkan lamela elemen filter (11) dengan sikat lembut.

Catatan: Mesin ampelas pita memiliki kinerja pembersihan yang tinggi. Untuk menjamin ekstraksi debu yang optimal, kosongkan kotak debu (6) secara berkala setelah 5 menit waktu pengoperasian dan bersihkan elemen filter (11) secara teratur.

Pengisapan eksternal

Pasang slang pengisap pada saluran pembuangan (9).

Sambungkan slang pengisap dengan pengisap debu. Ikhtisar untuk menyambungkan berbagai pengisap debu dapat dilihat di bagian akhir panduan ini.

Mesin pengisap debu harus sesuai dengan bahan yang dikerjakan.

Gunakanlah mesin pengisap khusus saat mengisap debu yang sangat berbahaya bagi kesehatan, pemicu kanker, atau debu yang sangat kering.

Mengganti pita ampelas (lihat gambar B)

- Ayunkan tuas penjepit (3) sepenuhnya. Pita ampelas (2) kini telah kendur dan dapat dilepas.
- Pasang pita ampelas (2) yang baru. Pastikan arah tanda panah pada sisi dalam pita ampelas dan housing perkakas listrik telah disesuaikan.
- Ayunkan tuas penjepit (3) kembali ke posisi awal.
- Angkat dan nyalakan perkakas listrik. Pita akan terpusatkan secara otomatis saat perkakas listrik dinyalakan selama proses pengampelasan.

Pastikan pita ampelas (2) tidak terjepit dan terlindas pada housing. Periksa pita ampelas secara berkala lalu atur pita ampelas dengan knop penyetelan (12) jika perlu.

Memilih pita ampelas

Menyesuaikan bahan yang dikerjakan dan pengikisan permukaan yang diinginkan, terdapat berbagai pita ampelas:

Ukuran bitiran		
red:Wood		40–240
Untuk pengerjaan pada semua material berbahan kayu		
Untuk pengampelasan awal, misalnya balok dan papan yang kasar dan tidak rata	kasar	40, 60
Untuk pengampelasan permukaan dan untuk meratakan permukaan yang tidak rata	sedang	80, 100, 120
Untuk pengampelasan halus dan pengampelasan total pada kayu yang keras	halus	180, 240

Penggunaan

Cara penggunaan

- **Perhatikan tegangan listrik! Tegangan jaringan listrik harus sesuai dengan tegangan listrik yang tercantum pada label tipe perkakas listrik. Perkakas listrik dengan daya sebesar 230 V seperti yang diindikasikan pada label dapat juga dioperasikan pada daya 220 V.**

Menghidupkan/mematikan perkakas listrik

- **Pastikan bahwa Anda dapat mengoperasikan tombol untuk menghidupkan dan mematikan tanpa perlu melepaskan handle.**

Untuk **menyalakan** perkakas listrik, tekanlah switch on/off (4) dan tahan.

Untuk **mengunci** tombol on/off (4), tekan dan tahan tombol lalu tekan tombol kunci (5).

Untuk **menonaktifkan** perkakas listrik, lepaskan tombol on/off (4). Jika tombol on/off terkunci (4), tekan terlebih dahulu tombol tersebut, kemudian lepaskan.

Petunjuk pengoperasian

- **Sebelum mulai dengan pekerjaan pada perkakas listrik, tariklah steker dari stopkontak.**

Kinerja pembersihan saat mengampelas dan kualitas akhir pada dasarnya ditentukan dengan pemilihan pita ampelas dan kecepatan pita yang telah dipilih sebelumnya. Semakin cepat kecepatan pita, semakin banyak material yang dibersihkan dan semakin halus permukaan yang diampelas. Hanya dengan pita ampelas yang terbaik yang memberikan hasil pengampelasan yang baik dan membuat perkakas listrik awet lebih lama.

Bekerjalah dengan tekanan serendah mungkin supaya pita ampelas tahan lebih lama. Beban berat perkakas listrik

cukup untuk memberikan hasil pengampelasan yang bagus. Peningkatan tekanan berlebih tidak membuat kinerja pengampelasan menjadi lebih tinggi, namun akan meningkatkan keausan pada perkakas listrik dan pita ampelas.

Letakkan perkakas listrik yang telah dinyalakan sebelumnya pada permukaan yang akan dikerjakan. Bekerjalah dengan gerak umpan yang sedang dan lakukan proses pengampelasan dengan gerakan mendorong secara sejajar dan tumpang tindih terhadap permukaan yang dikerjakan. Lakukan pengampelasan pada permukaan kayu searah dengan arah butiran karena apabila mengampelas berlawanan arah butiran akan menghasilkan bentuk yang tidak rata.

Terutama saat mengampelas sisa cat, cat dapat meleleh dan mengotori permukaan benda yang dikerjakan dan pita ampelas. Oleh karena itu, bekerjalah dengan alat pengisap debu.

Pita ampelas yang telah siap digunakan untuk pengerjaan logam tidak lagi boleh digunakan untuk mengerjakan bahan lainnya.

Hanya gunakan aksesoris pengampelasan **Bosch** yang asli. Saat menyimpan pita ampelas, gantungkan selalu pita dan jangan dilipat karena jika dilipat, pita tidak lagi dapat digunakan.

Bingkai ampelas (aksesori) memungkinkan kinerja pembersihan yang terkendali dan teratur dapat dilakukan saat mengerjakan permukaan kayu yang lebih besar.

Perawatan dan servis

Perawatan dan pembersihan

- ▶ **Sebelum mulai dengan pekerjaan pada perkakas listrik, tariklah steker dari stopkontak.**
- ▶ **Perkakas listrik dan lubang ventilasi harus selalu dibersihkan agar perkakas dapat digunakan dengan baik dan aman.**

Bersihkan debu ampelas yang lengket dengan menggunakan kuas.

Jika kabel listrik harus diganti, pekerjaan ini harus dilakukan oleh **Bosch** atau Service Center untuk perkakas listrik **Bosch** resmi agar keselamatan kerja selalu terjaga.

Membersihkan saluran debu (lihat gambar C)

Lepaskan kap pelindung (13) dari waktu ke waktu dan bersihkan saluran debu (14) agar daya pengisapan tetap optimal.

Layanan pelanggan dan konsultasi penggunaan

Layanan pelanggan Bosch menjawab semua pertanyaan Anda tentang reparasi dan perawatan serta tentang suku cadang produk ini. Gambaran teknis (exploded view) dan informasi mengenai suku cadang dapat ditemukan di:

www.bosch-pt.com

Tim konsultasi penggunaan Bosch akan membantu Anda menjawab pertanyaan seputar produk kami beserta aksesorinya.

Jika Anda hendak menanyakan sesuatu atau memesan suku cadang, selalu sebutkan nomor model yang terdiri atas 10 angka dan tercantum pada label tipe produk.

Indonesia

PT Robert Bosch
Palma Tower 10th Floor
Jalan RA Kartini II-S Kaveling 6
Pondok Pinang, Kebayoran Lama
Jakarta Selatan 12310
Tel.: (021) 3005 5800
Fax: (021) 3005 5801
E-Mail: boschpowertools@id.bosch.com
www.bosch-pt.co.id

Cara membuang

Perkakas listrik, aksesoris, dan kemasan sebaiknya didaur ulang secara ramah lingkungan.



Jangan membuang perkakas listrik ke dalam sampah rumah tangga!

Tiếng Việt

Hướng dẫn an toàn

Hướng dẫn an toàn chung cho dụng cụ điện

⚠ CẢNH BÁO Hãy đọc toàn bộ các cảnh báo an toàn, hướng dẫn, hình ảnh và thông số kỹ thuật được cung cấp cho dụng cụ điện cầm tay này. Không tuân thủ mọi hướng dẫn được liệt kê dưới đây có thể bị điện giật, gây cháy và /hay bị thương tật nghiêm trọng. **Hãy giữ tất cả tài liệu về cảnh báo và hướng dẫn để tham khảo về sau.**

Thuật ngữ "dụng cụ điện cầm tay" trong phần cảnh báo là để cập đến sự sử dụng dụng cụ điện cầm tay của bạn, loại sử dụng điện nguồn (có dây cắm điện) hay vận hành bằng pin (không dây cắm điện).

Khu vực làm việc an toàn

- ▶ **Giữ nơi làm việc sạch và đủ ánh sáng.** Nơi làm việc bừa bộn và tối tăm dễ gây ra tai nạn.
- ▶ **Không vận hành dụng cụ điện cầm tay trong môi trường dễ gây nổ, chẳng hạn như nơi có chất lỏng dễ cháy, khí đốt hay rác.** Dụng cụ điện cầm tay tạo ra các tia lửa nên có thể làm rác bén cháy hay bốc khói.
- ▶ **Không để trẻ em hay người đến xem đứng gần khi vận hành dụng cụ điện cầm tay.** Sự phân tâm có thể gây ra sự mất điều khiển.

An toàn về điện

- ▶ **Phích cắm của dụng cụ điện cầm tay phải thích hợp với ổ cắm. Không bao giờ được cải biến lại phích cắm dưới mọi hình thức. Không được sử dụng phích tiếp hợp nối tiếp đất (dây mát).** Phích cắm nguyên bản và ổ cắm đúng loại sẽ làm giảm nguy cơ bị điện giật.
- ▶ **Tránh không để thân thể tiếp xúc với đất hay các vật có bề mặt tiếp đất như đường ống, lò sưởi, hàng rào và tủ lạnh.** Có nhiều nguy cơ bị điện giật hơn nếu cơ thể bạn bị tiếp hay nối đất.
- ▶ **Không được để dụng cụ điện cầm tay ngoài mưa hay ở tình trạng ẩm ướt.** Nước vào máy sẽ làm tăng nguy cơ bị điện giật.
- ▶ **Không được lạm dụng dây dẫn điện. Không bao giờ được nắm dây dẫn để xách, kéo hay rút phích cắm dụng cụ điện cầm tay. Không để dây gần nơi có nhiệt độ cao, dầu nhớt, vật nhọn bén và bộ phận chuyển động.** Làm hỏng hay cuộn rối dây dẫn làm tăng nguy cơ bị điện giật.
- ▶ **Khi sử dụng dụng cụ điện cầm tay ngoài trời, dùng dây nối thích hợp cho việc sử dụng ngoài trời.** Sử dụng dây nối thích hợp cho việc sử dụng ngoài trời làm giảm nguy cơ bị điện giật.
- ▶ **Nếu việc sử dụng dụng cụ điện cầm tay ở nơi ẩm ướt là không thể tránh được, dùng thiết bị ngắt mạch tự động (RCD) bảo vệ nguồn.** Sử dụng thiết bị ngắt mạch tự động RCD làm giảm nguy cơ bị điện giật.

An toàn cá nhân

- ▶ **Hãy tỉnh táo, biết rõ mình đang làm gì và hãy sử dụng ý thức khi vận hành dụng cụ điện cầm tay. Không sử dụng dụng cụ điện cầm tay khi đang mệt mỏi hay đang bị tác động do chất gây nghiện, rượu hay được phẩm gây ra.** Một thoáng mất tập trung khi đang vận hành dụng cụ điện cầm tay có thể gây thương tích nghiêm trọng cho bản thân.
- ▶ **Sử dụng trang bị bảo hộ cá nhân. Luôn luôn đeo kính bảo vệ mắt.** Trang bị bảo hộ như khẩu trang, giày chống trượt, nón bảo hộ, hay dụng cụ bảo vệ tai khi được sử dụng đúng nơi đúng chỗ sẽ làm giảm nguy cơ thương tật cho bản thân.
- ▶ **Phòng tránh máy khởi động bất ngờ. Bảo đảm công tắc máy ở vị trí tắt trước khi cắm vào nguồn điện và/hay lắp pin vào, khi nhấn máy lên hay khi mang xách máy.** Ngáng ngón tay vào công tắc máy để xách hay kích hoạt dụng cụ điện cầm tay khi công tắc ở vị trí mở dễ dẫn đến tai nạn.
- ▶ **Lấy mọi chia hay khóa điều chỉnh ra trước khi mở điện dụng cụ điện cầm tay.** Khóa hay chia còn gắn dính vào bộ phận quay của dụng cụ điện cầm tay có thể gây thương tích cho bản thân.

- ▶ **Không rước người. Luôn luôn giữ tư thế đứng thích hợp và thăng bằng.** Điều này tạo cho việc điều khiển dụng cụ điện cầm tay tốt hơn trong mọi tình huống bất ngờ.
- ▶ **Trang phục thích hợp. Không mặc quần áo rộng lủng thụng hay mang trang sức. Giữ tóc và quần áo xa khỏi các bộ phận chuyển động.** Quần áo rộng lủng thụng, đồ trang sức hay tóc dài có thể bị cuốn vào các bộ phận chuyển động.
- ▶ **Nếu có các thiết bị đi kèm để nối máy hút bụi và các phụ kiện khác, bảo đảm các thiết bị này được nối và sử dụng tốt.** Việc sử dụng các thiết bị gom hút bụi có thể làm giảm các độc hại liên quan đến bụi gây ra.
- ▶ **Không để thói quen do sử dụng thường xuyên dụng cụ khiến bạn trở nên chủ quan và bỏ qua các quy định an toàn dụng cụ.** Một hành vi bất cẩn có thể gây ra thương tích nghiêm trọng chỉ trong tích tắc.

Sử dụng và bảo dưỡng dụng cụ điện cầm tay

- ▶ **Không được ép máy. Sử dụng dụng cụ điện cầm tay đúng loại theo đúng ứng dụng của bạn.** Dụng cụ điện cầm tay đúng chức năng sẽ làm việc tốt và an toàn hơn theo đúng tiến độ mà máy được thiết kế.
- ▶ **Không sử dụng dụng cụ điện cầm tay nếu như công tắc không tắt và mở được.** Bất kỳ dụng cụ điện cầm tay nào mà không thể điều khiển được bằng công tắc là nguy hiểm và phải được sửa chữa.
- ▶ **Rút phích cắm ra khỏi nguồn điện và/hay pin ra khỏi dụng cụ điện cầm tay nếu có thể tháo được, trước khi tiến hành bất kỳ điều chỉnh nào, thay phụ kiện, hay cất dụng cụ điện cầm tay.** Các biện pháp ngăn ngừa như vậy làm giảm nguy cơ dụng cụ điện cầm tay khởi động bất ngờ.
- ▶ **Cất giữ dụng cụ điện cầm tay không dùng tới nơi trẻ em không lấy được và không cho người chưa từng biết dụng cụ điện cầm tay hay các hướng dẫn này sử dụng dụng cụ điện cầm tay.** Dụng cụ điện cầm tay nguy hiểm khi ở trong tay người chưa được chỉ cách sử dụng.
- ▶ **Bảo quản dụng cụ điện cầm tay và các phụ kiện.** Kiểm tra xem các bộ phận chuyển động có bị sai lệch hay kẹt, các bộ phận bị rạn nứt và các tình trạng khác có thể ảnh hưởng đến sự vận hành của máy. Nếu bị hư hỏng, phải sửa chữa máy trước khi sử dụng. Nhiều tai nạn xảy ra do bảo quản dụng cụ điện cầm tay tồi.
- ▶ **Giữ các dụng cụ cất bên và sạch.** Bảo quản đúng cách các dụng cụ cất có cạnh cắt bén làm giảm khả năng bị kẹt và dễ điều khiển hơn.

- ▶ **Sử dụng dụng cụ điện cầm tay, phụ kiện, đầu cài v. v., đúng theo các chỉ dẫn này, hãy lưu ý đến điều kiện làm việc và công việc phải thực hiện.** Sự sử dụng dụng cụ điện cầm tay khác với mục đích thiết kế có thể tạo nên tình huống nguy hiểm.
- ▶ **Giữ tay cầm và bề mặt nắm luôn khô ráo, sạch sẽ và không dính dầu mỡ.** Tay cầm và bề mặt nắm trơn trượt không đem lại thao tác an toàn và kiểm soát dụng cụ trong các tình huống bất ngờ.

Bảo dưỡng

- ▶ **Đưa dụng cụ điện cầm tay của bạn đến thợ chuyên môn để bảo dưỡng, chỉ sử dụng phụ tùng đúng chủng loại để thay.** Điều này sẽ đảm bảo sự an toàn của máy được giữ nguyên.

Các hướng dẫn an toàn cho máy mài

- ▶ **Cắm dụng cụ điện tại các bề mặt cầm nắm có cách điện, vì bề mặt phun cát có thể chạm vào chính dây điện của thiết bị.** Cắt một dây "có điện" có thể làm cho các phần kim loại hở của dụng cụ điện cầm tay có điện và có thể gây ra điện giật cho người vận hành.
- ▶ **Chỉ sử dụng dụng cụ điện để mài khô.** Nước vào máy sẽ làm tăng nguy cơ bị điện giật.
- ▶ **Chỉ dẫn dụng cụ điện đã bật vào phôi gia công và chỉ tắt sau khi bạn nhắc nó ra khỏi phôi gia công.** Dụng cụ điện có thể chuyển động đột ngột.
- ▶ **Không chạm vào dây đai nhám đang chạy.** Việc này bao gồm nguy hiểm gây thương tích.
- ▶ **Hãy mang găng tay bảo vệ và không chạm vào dây đai nhám đang chạy.** Việc này bao gồm nguy hiểm gây thương tích.
- ▶ **Đảm bảo rằng không có người bị nguy hiểm do tia lửa điện bay ra. Loại bỏ các vật liệu dễ cháy từ gần đó.** Khi mài kim loại sẽ xuất hiện tia lửa điện bay ra.
- ▶ **Không sử dụng các dây đai nhám bị mòn, bị rách hoặc bị kẹt nặng.** Các dây đai nhám bị hỏng có thể bị rách, bị văng xa và gây thương tích cho người.
- ▶ **Chú ý nguy cơ cháy! Tránh quá nhiệt vật liệu mài và máy mài. Luôn xả rỗng thùng chứa bụi trước khi tạm dừng làm việc.** Bụi mài trong túi chứa bụi, bộ vi lọc, túi giấy (hoặc trong bộ lọc kiểu túi hoặc bộ lọc của máy hút bụi) có thể tự đánh lửa dưới các điều kiện không phù hợp, như tia lửa điện bay ra khi mài kim loại. Có nguy hiểm đặc biệt, nếu bụi mài trộn với các cặn sơn, cặn polyurethane hoặc những chất hóa học khác và vật liệu mài nóng lên sau thời gian dài hoạt động.
- ▶ **Thường xuyên làm sạch các khe thông gió của dụng cụ điện.** Quạt gió mô tơ sẽ kéo bụi

nằm trong vỏ máy ra và sự tích tụ quá nhiều bột kim loại có thể gây nên các nguy hiểm về điện.

- ▶ **Kẹp chặt vật gia công.** Vật gia công được kẹp bằng một thiết bị kẹp hay bằng ê-tô thì vững chắc hơn giữ bằng tay.
- ▶ **Luôn luôn đợi cho máy hoàn toàn ngừng hẳn trước khi đặt xuống.** Dụng cụ lắp vào máy có thể bị kẹp chặt dẫn đến việc dụng cụ điện cầm tay bị mất điều khiển.
- ▶ **Giữ máy thật chắc bằng cả hai tay trong khi làm việc và luôn luôn giữ tư thế đứng cho thích hợp và cân bằng.** Dùng hai tay để điều khiển máy thì an toàn hơn.

Mô Tả Sản Phẩm và Đặc Tính Kỹ Thuật



Đọc kỹ mọi cảnh báo an toàn và mọi hướng dẫn. Không tuân thủ mọi cảnh báo và hướng dẫn được liệt kê dưới đây có thể bị điện giật, gây cháy và / hay bị thương tật nghiêm trọng.

Xin lưu ý các hình minh họa trong phần trước của hướng dẫn vận hành.

Sử dụng đúng cách

Máy được thiết kế để mài bề mặt khô – ở tốc độ gia công cao – đối với vật liệu gỗ, nhựa mù, kim loại, chất trám độn cũng như các bề mặt đã sơn phủ.

Các bộ phận được minh họa

Sự đánh số các biểu trưng của sản phẩm là để tham khảo hình minh họa của máy trên trang hình ảnh.

- (1) Tay nắm phụ (có bề mặt nắm cách điện)
- (2) Dây đai nhám ^{A)}
- (3) Cán khóa gài giấy nhám bằng
- (4) Công tắc Tắt/Mở
- (5) Núm khóa giữ chế độ tự-chạy của công tắc Tắt/Mở
- (6) Hộp chứa bụi, nguyên bộ (Microfilter System)
- (7) Bộ thích ứng hút ^{A)}
- (8) Tay nắm (bề mặt nắm cách điện)
- (9) Lỗ thoát
- (10) Cán khóa gài hộp chứa bụi
- (11) Bộ phận lọc (Microfilter System)
- (12) Núm điều chỉnh sự vận hành của băng tải
- (13) Chụp bảo vệ
- (14) Đường dẫn bụi

A) **Phụ tùng được trình bày hay mô tả không phải là một phần của tiêu chuẩn hàng hóa được giao kèm theo sản phẩm. Bạn có thể tham khảo tổng thể các loại phụ tùng, phụ kiện trong chương trình phụ tùng của chúng tôi.**

Thông số kỹ thuật

Máy Chà Nhám Băng		GBS 75 A
Mã số máy		3 601 B74 0..
Công suất vào danh định	W	710
Công suất ra	W	350
Tốc độ chạy không tải của băng tải	m/phút	300
Chiều dài giấy nhám băng	mm	533
Chiều rộng giấy nhám băng	mm	75
Nối với máy hút bụi nằm trong/ngoài máy		●
Trọng lượng theo qui trình EPTA-Procedure 01:2014	kg	3,2
Cấp độ bảo vệ		□/

Các giá trị đã cho có hiệu lực cho điện thế danh định [U] 230 V. Đối với điện thế thấp hơn và các loại máy dành riêng cho một số quốc gia, các giá trị này có thể thay đổi.

Sự lắp vào

- ▶ Trước khi tiến hành bất cứ việc gì trên máy, kéo phích cắm điện nguồn ra.

Hút Dăm/Bụi

Mặt bụi từ các vật liệu được sơn phủ ngoài có chứa chì trên một số loại gỗ, khoáng vật và kim loại có thể gây nguy hại đến sức khoẻ con người. Đụng chạm hay hít thở các bụi này có thể làm người sử dụng hay đứng gần bị dị ứng và/hoặc gây nhiễm trùng hệ hô hấp.

Một số mặt bụi cụ thể, ví dụ như bụi gỗ sồi hay dẫu, được xem là chất gây ung thư, đặc biệt là có liên quan đến các chất phụ gia dùng xử lý gỗ (chất cromat, chất bảo quản gỗ). Có thể chỉ nên để thợ chuyên môn gia công các loại vật liệu có chứa amiăng.

- Cách xa ở mức có thể được, sử dụng hệ thống hút thích hợp cho loại vật liệu.
- Tạo không khí thông thoáng nơi làm việc.
- Khuyến nghị nên mang mặt nạ phòng độc có bộ lọc cấp P2.

Tuân thủ các qui định của quốc gia bạn liên quan đến loại vật liệu gia công.

- ▶ **Tránh không để rác tích tụ tại nơi làm việc.**
Rác có thể dễ dàng bắt lửa.

Hệ Thống Hút Bụi Tích Hợp có hộp đựng bụi (xem hình ảnh A1–A4)

Đặt hộp đựng bụi (6) vào cút nối ống hút (7), cho tới khi vào khớp. Cắm cút nối ống hút (7) vào vòi xả (9).

Để trút sạch hộp chứa bụi (6) hãy nhấn cần khóa gài (10) ở phía hộp chứa bụi và rút hộp chứa bụi ra. Trước khi mở hộp đựng bụi (6) bạn cần gõ lên một bề mặt cứng như mô tả trong hình ảnh để loại bỏ bụi khỏi ruột bộ lọc.

Hãy cầm chặt hộp đựng bụi (6) ở hốc tay vịn, gấp ruột bộ lọc (11) lên trên và trút sạch hộp đựng bụi. Hãy vệ sinh các bản mỏng của ruột bộ lọc (11) bằng bàn chải mềm.

Hướng dẫn: Máy chà nhám băng có tốc độ gia công cao. Để đảm bảo hút bụi tối ưu, hãy xả rỗng hộp đựng bụi (6) thường xuyên sau 5 phút vận hành và vệ sinh thường xuyên ruột bộ lọc (11).

Máy Hút Bụi Ngoài

Cắm ống hút vào vòi xả (9).

Nối ống hút với một chiếc máy hút bụi. Ở phần cuối của tài liệu hướng dẫn này bạn sẽ tìm thấy phần tổng quan về việc kết nối ở các máy hút bụi khác nhau.

Máy hút bụi phải thích hợp dành cho loại vật liệu đang gia công.

Khi hút bụi khô loại đặc biệt gây nguy hại đến sức khỏe hoặc gây ra ung thư, hãy sử dụng máy hút bụi loại chuyên dụng.

Thay dây đai nhám (xem hình B)

- Xoay tay gạt siết (3) ra hoàn toàn. Lúc này dây đai nhám (2) đã lỏng và có thể tháo được.
- Hãy lắp dây đai nhám mới (2). Chú ý rằng, các hướng mũi tên ở mặt trong của dây đai nhám và vỏ của dụng cụ điện phải thống nhất với nhau.
- Hãy xoay tay gạt siết (3) trở lại vị trí ban đầu.
- Nhắc dụng cụ điện lên và mở máy. Hoạt động của băng tải được định tâm tự động khi bật và trong quá trình mài.

Đảm bảo rằng dây đai nhám (2) không mài vào vỏ máy. Thường xuyên kiểm tra hoạt động của băng tải và điều chỉnh lại bằng núm điều chỉnh (12) nếu cần.

Chọn Loại Giấy Nhám Băng

Tùy loại vật liệu mà ta gia công và mức độ cần chà mòn, có nhiều loại giấy nhám băng hiện có ở thị trường:

	Kích Cỡ Hạt	
red:Wood		40–240
Để gia công tất cả các loại vật liệu gỗ		
Để mài sơ bộ, ví dụ mài các thanh và tấm ván thô	thô	40, 60
Để mài bề mặt và làm phẳng những chỗ gỗ ghé nhỏ	trung bình	80, 100, 120
Chà hoàn thiện và chà tinh các loại gỗ cứng	tinh	180, 240

Vận Hành

Bắt Đầu Vận Hành

- ▶ **Hãy cẩn thận với nguồn điện! Điện thế nguồn phải đúng với điện thế đã ghi rõ trên nhãn máy. Dụng cụ điện được ghi 230 V cũng có thể được vận hành ở 220 V.**

Bật Mở và Tắt

- ▶ **Hãy đảm bảo rằng, bạn có thể nhấn Công tắc bật/tắt, mà không cần nhả tay nắm.**

Để **Bật** dụng cụ điện, hãy bấm công tắc Tắt/Mở (4) và vừa bấm vừa giữ.

Để **khóa** công tắc bật/tắt (4) hãy nhấn giữ nó và nhấn thêm nút khóa giữ chế độ tự-chạy (5).

Để **tắt** dụng cụ điện cầm tay hãy nhả công tắc bật/tắt (4). Khi công tắc bật/tắt bị khóa (4) hãy nhấn nó và sau đó nhả ra.

Hướng Dẫn Sử Dụng

- ▶ **Trước khi tiến hành bất cứ việc gì trên máy, kéo phích cắm điện nguồn ra.**

Tốc độ gia công khi mài và độ bóng bề mặt được xác định chủ yếu bằng cách chọn dây đai nhám cũng như bằng tốc độ băng tải chọn trước. Tốc độ của băng tải càng cao, sự chà mòn vật liệu càng nhiều và bề mặt chà mịn hơn.

Chỉ có loại giấy nhám bằng không khuyết tật mới tạo được năng suất chà tốt và làm cho tuổi thọ của máy bền hơn.

Thao tác với sức ép máy ít nhất có thể được để làm tăng thời gian sử dụng giấy nhám băng.

Trong lộ trình bản thân của dụng cụ điện cầm tay đủ để có năng suất chà nhám tốt. Tạo lực đè thật mạnh lên máy để chà không làm tăng năng suất chà, nhưng lại làm tăng sự hao mòn của máy và dây đai nhám.

Chỉ đặt máy lên vật gia công khi đã mở máy. Thao tác để gia công chà vừa phải và tiến hành chà bằng các đường dọc song song và rời chà chống tiếp lên. Chà theo chiều của sợi, chà ngang sợi sẽ cho kết quả xấu sù.

Đặt biệt là khi chà các lớp vécnì, chà theo chiều số, khi đó vécnì có thể chảy ra và làm vấy bẩn bề mặt của vật gia công và cho cả giấy nhám băng. Do đó hãy làm việc với thiết bị hút bụi.

Dây đai nhám đã được dùng để chà kim loại không nên sử dụng để chà các loại vật liệu khác.

Chỉ nên sử dụng các phụ kiện chà nhám chính hãng **Bosch**.

Chỉ bảo quản giấy nhám băng bằng cách treo lên; tránh làm gấp nếp; bị gấp nếp như vậy làm cho băng tải không còn tác dụng.

Khung chà (phụ kiện) làm cho sự gia công được đồng đều và điều khiển được năng suất chà khi bề mặt chà rộng hơn bề mặt của gỗ.

Bảo Dưỡng và Bảo Quản

Bảo Dưỡng Và Làm Sạch

- ▶ **Trước khi tiến hành bất cứ việc gì trên máy, kéo phích cắm điện nguồn ra.**
- ▶ **Để được an toàn và máy hoạt động đúng chức năng, luôn luôn giữ máy và các khe thông gió được sạch.**

Phủi sạch mặt chà bám dính bằng cọ.

Nếu như cần phải thay dây dẫn điện thì công việc này phải do hãng **Bosch**, hay một đại lý được **Bosch** ủy nhiệm thực hiện để tránh gặp sự nguy hiểm do mất an toàn.

Vệ sinh đường dẫn bụi (xem hình C)

Thỉnh thoảng hãy tháo chụp bảo vệ (13) và làm sạch đường dẫn bụi (14), để công suất được duy trì tối ưu.

Dịch vụ hỗ trợ khách hàng và tư vấn sử dụng

Bộ phận phục vụ hàng sau khi bán của chúng tôi trả lời các câu hỏi liên quan đến việc bảo dưỡng và sửa chữa các sản phẩm cũng như phụ tùng thay thế của bạn. Sơ đồ mô tả và thông tin về phụ tùng thay thế cũng có thể tra cứu theo dưới đây:

www.bosch-pt.com

Đội ngũ tư vấn sử dụng của Bosch sẽ giúp bạn giải đáp các thắc mắc về sản phẩm và phụ kiện.

Trong tất cả các phản hồi và đơn đặt phụ tùng, xin vui lòng luôn luôn nhập số hàng hóa 10 chữ số theo nhãn của hàng hóa.

Việt Nam

CN CÔNG TY TNHH BOSCH VIỆT NAM TẠI TP.HCM

Tầng 14, Ngôi Nhà Đức, 33 Lê Duẩn

Phường Bến Nghé, Quận 1, Thành Phố Hồ Chí Minh

Tel.: (028) 6258 3690

Fax: (028) 6258 3692 - 6258 3694

Hotline: (028) 6250 8555

Email: tuvankhachhang-pt@vn.bosch.com

www.bosch-pt.com.vn

www.baohanhbosch-pt.com.vn

Campuchia

Công ty TNHH Robert Bosch (Campuchia)

Đơn nguyên 8BC, GT Tower, Tầng 08,

Đường 169, Tiệp Khắc Blvd, Sangkat Veal Vong,

Khan 7 Makara, Phnom Penh

VAT TIN: 100 169 511

Tel.: +855 23 900 685

Tel.: +855 23 900 660

www.bosch.com.kh

Sự thải bỏ

Máy, linh kiện và bao bì phải được phân loại để tái chế theo hướng thân thiện với môi trường.



Không được thải bỏ dụng cụ điện vào chung với rác sinh hoạt!

Français

Consignes de sécurité

Avertissements de sécurité généraux pour l'outil électrique

⚠ AVERTISSEMENT Lire tous les avertissements de sécurité, les instructions, les illustrations et les spécifications fournis avec cet outil électrique.

Ne pas suivre les instructions énumérées ci-dessous peut provoquer un choc électrique, un incendie et/ou une blessure sérieuse.

Conservé tous les avertissements et toutes les instructions pour pouvoir s'y reporter ultérieurement.

Le terme "outil électrique" dans les avertissements fait référence à votre outil électrique alimenté par le secteur (avec cordon d'alimentation) ou votre outil électrique fonctionnant sur batterie (sans cordon d'alimentation).

Sécurité de la zone de travail

- ▶ **Conservé la zone de travail propre et bien éclairée.** Les zones en désordre ou sombres sont propices aux accidents.
- ▶ **Ne pas faire fonctionner les outils électriques en atmosphère explosive, par exemple en présence de liquides inflammables, de gaz ou de poussières.** Les outils électriques produisent des étincelles qui peuvent enflammer les poussières ou les fumées.
- ▶ **Maintenir les enfants et les personnes présentes à l'écart pendant l'utilisation de l'outil électrique.** Les distractions peuvent vous faire perdre le contrôle de l'outil.

Sécurité électrique

- ▶ **Il faut que les fiches de l'outil électrique soient adaptées au socle. Ne jamais modifier la fiche de quelque façon que ce soit. Ne pas utiliser d'adaptateurs avec des outils électriques à branchement de terre.** Des fiches non modifiées et des socles adaptés réduisent le risque de choc électrique.
- ▶ **Éviter tout contact du corps avec des surfaces reliées à la terre telles que les tuyaux, les radiateurs, les cuisinières et les réfrigérateurs.** Il existe un risque accru de choc électrique si votre corps est relié à la terre.
- ▶ **Ne pas exposer les outils électriques à la pluie ou à des conditions humides.** La pénétration d'eau à l'intérieur

d'un outil électrique augmente le risque de choc électrique.

- ▶ **Ne pas maltraiter le cordon. Ne jamais utiliser le cordon pour porter, tirer ou débrancher l'outil électrique. Maintenir le cordon à l'écart de la chaleur, du lubrifiant, des arêtes vives ou des parties en mouvement.** Des cordons endommagés ou emmêlés augmentent le risque de choc électrique.
- ▶ **Lorsqu'on utilise un outil électrique à l'extérieur, utiliser un prolongateur adapté à l'utilisation extérieure.** L'utilisation d'un cordon adapté à l'utilisation extérieure réduit le risque de choc électrique.
- ▶ **Si l'usage d'un outil électrique dans un emplacement humide est inévitable, utiliser une alimentation protégée par un dispositif à courant différentiel résiduel (RCD).** L'usage d'un RCD réduit le risque de choc électrique.

Sécurité des personnes

- ▶ **Rester vigilant, regarder ce que vous êtes en train de faire et faire preuve de bon sens dans votre utilisation de l'outil électrique. Ne pas utiliser un outil électrique lorsque vous êtes fatigué ou sous l'emprise de drogues, de l'alcool ou de médicaments.** Un moment d'inattention en cours d'utilisation d'un outil électrique peut entraîner des blessures graves.
- ▶ **Utiliser un équipement de protection individuelle. Toujours porter une protection pour les yeux.** Les équipements de protection individuelle tels que les masques contre les poussières, les chaussures de sécurité antidérapantes, les casques ou les protections auditives utilisés pour les conditions appropriées réduisent les blessures.
- ▶ **Éviter tout démarrage intempestif. S'assurer que l'interrupteur est en position arrêt avant de brancher l'outil au secteur et/ou au bloc de batteries, de le ramasser ou de le porter.** Porter les outils électriques en ayant le doigt sur l'interrupteur ou brancher des outils électriques dont l'interrupteur est en position marche est source d'accidents.
- ▶ **Retirer toute clé de réglage avant de mettre l'outil électrique en marche.** Une clé laissée fixée sur une partie tournante de l'outil électrique peut donner lieu à des blessures.
- ▶ **Ne pas se précipiter. Garder une position et un équipement adaptés à tout moment.** Cela permet un meilleur contrôle de l'outil électrique dans des situations inattendues.
- ▶ **S'habiller de manière adaptée. Ne pas porter de vêtements amples ou de bijoux. Garder les cheveux et les vêtements à distance des parties en mouvement.** Des vêtements amples, des bijoux ou les cheveux longs peuvent être pris dans des parties en mouvement.
- ▶ **Si des dispositifs sont fournis pour le raccordement d'équipements pour l'extraction et la récupération des poussières, s'assurer qu'ils sont connectés et correc-**

tement utilisés. Utiliser des collecteurs de poussière peut réduire les risques dus aux poussières.

- ▶ **Rester vigilant et ne pas négliger les principes de sécurité de l'outil sous prétexte que vous avez l'habitude de l'utiliser.** Une fraction de seconde d'inattention peut provoquer une blessure grave.

Utilisation et entretien de l'outil électrique

- ▶ **Ne pas forcer l'outil électrique. Utiliser l'outil électrique adapté à votre application.** L'outil électrique adapté réalise mieux le travail et de manière plus sûre au régime pour lequel il a été construit.
- ▶ **Ne pas utiliser l'outil électrique si l'interrupteur ne permet pas de passer de l'état de marche à arrêt et inversement.** Tout outil électrique qui ne peut pas être commandé par l'interrupteur est dangereux et il faut le réparer.
- ▶ **Débrancher la fiche de la source d'alimentation et/ou enlever le bloc de batteries, s'il est amovible, avant tout réglage, changement d'accessoires ou avant de ranger l'outil électrique.** De telles mesures de sécurité préventives réduisent le risque de démarrage accidentel de l'outil électrique.
- ▶ **Conserver les outils électriques à l'arrêt hors de la portée des enfants et ne pas permettre à des personnes ne connaissant pas l'outil électrique ou les présentes instructions de le faire fonctionner.** Les outils électriques sont dangereux entre les mains d'utilisateurs novices.
- ▶ **Observer la maintenance des outils électriques et des accessoires. Vérifier qu'il n'y a pas de mauvais alignement ou de blocage des parties mobiles, des pièces cassées ou toute autre condition pouvant affecter le fonctionnement de l'outil électrique. En cas de dommages, faire réparer l'outil électrique avant de l'utiliser.** De nombreux accidents sont dus à des outils électriques mal entretenus.
- ▶ **Garder affûtés et propres les outils permettant de couper.** Des outils destinés à couper correctement entretenus avec des pièces coupantes tranchantes sont moins susceptibles de bloquer et sont plus faciles à contrôler.
- ▶ **Utiliser l'outil électrique, les accessoires et les lames etc., conformément à ces instructions, en tenant compte des conditions de travail et du travail à réaliser.** L'utilisation de l'outil électrique pour des opérations différentes de celles prévues peut donner lieu à des situations dangereuses.
- ▶ **Il faut que les poignées et les surfaces de préhension restent sèches, propres et dépourvues d'huiles et de graisses.** Des poignées et des surfaces de préhension glissantes rendent impossibles la manipulation et le contrôle en toute sécurité de l'outil dans les situations inattendues.

Maintenance et entretien

- ▶ **Faire entretenir l'outil électrique par un réparateur qualifié utilisant uniquement des pièces de rechange**

identiques. Cela assure le maintien de la sécurité de l'outil électrique.

Instructions de sécurité pour meuleuses

- ▶ **Tenir l'outil électrique par les surfaces de préhension isolées, car la surface de ponçage peut être en contact avec son propre cordon.** Couper un fil "sous tension" peut mettre sous tension des parties métalliques exposées de l'outil électrique et pourrait donner un choc électrique à l'opérateur.
- ▶ **N'utilisez l'outil électroportatif que pour effectuer des ponçages à sec.** La pénétration d'eau à l'intérieur d'un outil électroportatif augmente le risque de choc électrique.
- ▶ **Ne guidez l'outil électroportatif contre la pièce à travailler que lorsqu'il est en marche et ne l'arrêtez qu'après l'avoir retiré de la pièce à travailler.** L'outil électroportatif risque d'effectuer un mouvement brusque.
- ▶ **Ne touchez jamais la bande abrasive en rotation.** Il y a un risque de blessure.
- ▶ **Portez des gants de protection et ne touchez jamais la bande abrasive en rotation.** Il y a un risque de blessure.
- ▶ **Veillez à ce que personne ne se trouve dans la trajectoire des étincelles projetées. Enlevez les matériaux inflammables qui se trouvent à proximité.** Le meulage et le tronçonnage de métaux génèrent des étincelles.
- ▶ **N'utilisez pas de bandes abrasives usées, fendues sur les bords ou fortement encrassées.** Les bandes abrasives endommagées peuvent se déchirer ou être projetées et blesser des personnes.
- ▶ **Attention risque d'incendie ! Évitez tout échauffement du matériau poncé et de la ponceuse. Videz toujours le bac à poussière avant de faire une pause de travail.** Les particules de poussière se trouvant dans le sac à poussières, le microfiltre, le sac en papier (ou dans le sac à poussières en tissu ou le filtre de l'aspirateur) peuvent s'enflammer d'elles-mêmes dans des conditions défavorables, par exemple en cas de projection d'étincelles lors du ponçage de pièces en métal. Ceci notamment lorsque des particules de poussières sont mélangées à des résidus de vernis, de polyuréthane ou d'autres substances chimiques et que les matériaux travaillés sont très chauds après avoir été travaillés pendant une période assez longue.
- ▶ **Nettoyez régulièrement les ouïes d'aération de l'outil électroportatif.** Le ventilateur du moteur attire la poussière à l'intérieur du carter et une accumulation excessive de poussière de métal accroît le risque de choc électrique.
- ▶ **Bloquez la pièce à travailler.** Une pièce à travailler serrée par des dispositifs de serrage appropriés ou dans un étau est fixée de manière plus sûre que quand elle est tenue avec une main.
- ▶ **Avant de poser l'outil électroportatif, attendez que celui-ci soit complètement à l'arrêt.** L'outil risque de se coincer, ce qui entraînerait une perte de contrôle de l'outil électroportatif.

- **Lors du travail, tenez fermement l'outil électroportatif des deux mains et veillez à toujours garder une position de travail stable.** Avec les deux mains, l'outil électroportatif est guidé en toute sécurité.

Description des prestations et du produit



Lisez attentivement toutes les instructions et consignes de sécurité. Le non-respect des instructions et consignes de sécurité peut provoquer un choc électrique, un incendie et/ou entraîner de graves blessures.

Référez-vous aux illustrations qui se trouvent à l'avant de la notice d'utilisation.

Utilisation conforme

L'outil électroportatif est conçu pour un ponçage à sec très performant des surfaces en bois, en matières plastiques, en métal et en mastic ainsi que des surfaces vernies.

Éléments constitutifs

La numérotation des éléments de l'appareil se réfère à la représentation de l'outil électroportatif sur la page graphique.

- (1) Poignée supplémentaire (surface de préhension isolée)
- (2) Bande de ponçage ^{A)}
- (3) Levier de serrage de la bande de ponçage
- (4) Interrupteur Marche/Arrêt
- (5) Bouton de blocage de l'interrupteur Marche/Arrêt
- (6) Boîtier microfiltre
- (7) Adaptateur d'aspiration ^{A)}
- (8) Poignée (surface de préhension isolée)
- (9) Tubulure d'aspiration
- (10) Levier de blocage du boîtier microfiltre
- (11) Élément filtrant (système microfiltre)
- (12) Bouton d'ajustage pour réglage de la bande
- (13) Capuchon de protection
- (14) Canal d'aspiration

A) **Les accessoires décrits ou illustrés ne sont pas tous compris dans la fourniture. Vous trouverez les accessoires complets dans notre gamme d'accessoires.**

Caractéristiques techniques

Ponceuse à bande		GBS 75 A
Référence		3 601 B74 0..
Puissance absorbée nominale	W	710
Puissance débitée	W	350
Vitesse de la bande à vide	m/min	300
Longueur de la bande de ponçage	mm	533

Ponceuse à bande		GBS 75 A
Largeur de la bande de ponçage	mm	75
Raccordement pour boîtier microfiltre/aspirateur		●
Poids selon EPTA-Procédure 01:2014	kg	3,2
Indice de protection		□ / II

Les données indiquées sont valables pour une tension nominale [U] de 230 V. Elles peuvent varier lorsque la tension diffère de cette valeur et sur certaines versions destinées à certains pays.

Montage

- **Débranchez le câble d'alimentation de la prise avant d'effectuer des travaux quels qu'il soient sur l'outil électroportatif.**

Aspiration de poussières/de copeaux

Les poussières de matériaux tels que peintures contenant du plomb, certains bois, minéraux ou métaux, peuvent être nuisibles à la santé. Le contact avec les poussières ou leur inhalation peut entraîner des réactions allergiques et/ou des maladies respiratoires auprès de l'utilisateur ou des personnes se trouvant à proximité.

Certaines poussières telles que les poussières de chêne ou de hêtre sont considérées comme cancérigènes, surtout en association avec des additifs pour le traitement du bois (chromate, lasure). Les matériaux contenant de l'amiante ne doivent être travaillés que par des personnes qualifiées.

- Si possible, utilisez un dispositif d'aspiration des poussières approprié au matériau.
- Veillez à bien aérer la zone de travail.
- Il est recommandé de porter un masque respiratoire avec un niveau de filtration de classe P2.

Respectez les règlements spécifiques aux matériaux à traiter en vigueur dans votre pays.

- **Évitez toute accumulation de poussières sur le lieu de travail.** Les poussières peuvent facilement s'enflammer.

Aspiration des poussières avec boîtier microfiltre (voir figures A1–A4)

Emboîtez le bac de récupération de poussière (6) sur l'adaptateur d'aspiration (7) jusqu'à son enclenchement. Raccordez l'adaptateur d'aspiration (7) à la tubulure de sortie d'air (9).

Pour vider le boîtier microfiltre (6), appuyez sur les leviers de blocage (10) se trouvant sur les côtés du boîtier microfiltre et tirez.

Avant d'ouvrir le boîtier microfiltre (6), il est recommandé de le tapoter contre une surface solide afin de détacher les poussières de l'élément filtrant.

Saisissez le boîtier microfiltre (6) au niveau de l'alvéole de préhension, rabattez l'élément filtrant (11) vers le haut et videz le boîtier microfiltre. Nettoyez les lamelles de l'élément filtrant (11) à l'aide d'une brosse douce.

Remarque : La ponceuse à bande dispose d'une capacité d'enlèvement élevée. Pour obtenir une aspiration optimale des poussières, videz le bac de récupération (6) toutes les 5 minutes d'utilisation et nettoyez le filtre (11) régulièrement.

Aspiration au moyen d'un aspirateur

Raccordez un flexible d'aspiration à la tubulure de sortie d'air (9).

Raccordez l'autre extrémité du flexible d'aspiration à un aspirateur. Vous trouverez à la fin de cette notice une vue d'ensemble des aspirateurs auxquels peut être raccordé l'outil électroportatif.

L'aspirateur doit être conçu pour le type de matériau à poncer.

Pour l'aspiration de poussières particulièrement nuisibles à la santé, cancérigènes ou sèches, utilisez un aspirateur spécial.

Remplacement de la bande de ponçage (voir figure B)

- Relevez complètement le levier de serrage (3). La bande de ponçage (2) se trouve alors desserrée et peut être retirée.
- Installez la nouvelle bande de ponçage (2). Veillez à ce que le sens des flèches sur la face intérieure de la bande de ponçage et le boîtier de l'outil électroportatif coïncident.
- Abaissez le levier de serrage (3) dans sa position initiale.
- Soulevez l'outil électroportatif et mettez-le en marche. Lors de la mise en marche et durant le processus de ponçage, la bande est automatiquement centrée.

Veillez à ce que la bande de ponçage (2) ne frotte pas contre le carter de l'outil. Vérifiez régulièrement le réglage de la bande et rectifiez-le si nécessaire à l'aide du bouton d'ajustage (12).

Choix de la bande de ponçage

Suivant le matériau à travailler et le travail demandé, il existe différentes bandes de ponçage :

	Grain	
red:Wood		40-240
Pour poncer tous les bois et dérivés		
Pour le préponçage, p.ex. de poutres et de planches rugueuses, non rabotées	gros	40, 60
Pour le ponçage plan et la correction d'inégalités et aspérités de surface	moyen	80, 100, 120
Pour le ponçage fin et de finition de bois durs	fin	180, 240

Utilisation

Mise en marche

- **Tenez compte de la tension du réseau ! La tension de la source de courant doit correspondre aux indications se trouvant sur la plaque signalétique de l'outil électroportatif. Les outils électroportatifs marqués 230 V peuvent également fonctionner sur 220 V.**

Mise en marche/arrêt

- **Assurez-vous de pouvoir actionner l'interrupteur Marche/Arrêt sans avoir à relâcher la poignée.**

Pour **mettre en marche** l'outil électroportatif, appuyez sur l'interrupteur Marche/Arrêt (4) et maintenez-le enfoncé.

Pour **bloquer** l'interrupteur Marche/Arrêt (4), maintenez-le enfoncé et appuyez en même temps sur le bouton de blocage (5).

Pour **arrêter** l'outil électroportatif, relâchez l'interrupteur Marche/Arrêt (4). Si l'interrupteur Marche/Arrêt (4) est bloqué, appuyez d'abord dessus puis relâchez-le.

Instructions d'utilisation

- **Débranchez le câble d'alimentation de la prise avant d'effectuer des travaux quels qu'il soient sur l'outil électroportatif.**

Les performances de ponçage et la qualité des finitions dépendent essentiellement du choix de la bande de ponçage ainsi que de la vitesse présélectionnée. Plus la vitesse de la bande est grande, plus l'enlèvement de matière est important et plus la surface de ponçage est lisse.

Seules des bandes de ponçage impeccables assurent un bon travail de ponçage et ménagent l'outil électroportatif.

Travaillez avec une pression minimale, afin d'augmenter la durée de vie des bandes de ponçage. Le propre poids de l'outil électroportatif suffit pour assurer un bon travail de ponçage. Une trop grande pression exercée sur l'appareil n'entraîne pas une meilleure puissance de ponçage mais une usure plus importante de l'outil électroportatif et de la bande de ponçage.

Posez l'outil électroportatif mis en marche sur la pièce à travailler. Appliquez une vitesse d'avance modérée et guidez l'appareil de façon à ce que les passes de travail soient parallèles et qu'elles se chevauchent. Travaillez dans le sens des fibres, les traces de ponçage en biais nuisent à l'aspect final. Lorsqu'il s'agit d'enlever des restes de vernis notamment, il se peut que ceux-ci s'amalgament et que la surface de la pièce à travailler ainsi que de la bande de ponçage soit encrassée. Il est donc recommandé de travailler avec un aspirateur de poussière.

Une bande de ponçage avec laquelle on a travaillé du métal ne doit pas être utilisée pour d'autres matériaux.

N'utilisez que des accessoires de ponçage **Bosch** d'origine. Ne stockez les bandes de ponçage qu'en position suspendue, ne les pliez pas, sinon elles ne peuvent plus être utilisées.

Le cadre de ponçage (accessoire) permet un enlèvement de matière régulier et facilement réglable lors du ponçage de surfaces planes en bois d'une taille assez importante.

Entretien et Service après-vente

Nettoyage et entretien

- ▶ **Débranchez le câble d'alimentation de la prise avant d'effectuer des travaux quels qu'il soient sur l'outil électroportatif.**
- ▶ **Tenez toujours propres l'outil électroportatif ainsi que les fentes de ventilation afin d'obtenir un travail impeccable et sûr.**

Enlevez les poussières adhérentes à l'aide d'un pinceau. Dans le cas où il s'avère nécessaire de remplacer le câble d'alimentation, confiez le remplacement à **Bosch** ou une station de Service Après-Vente agréée pour outillage **Bosch** afin de ne pas compromettre la sécurité.

Nettoyage du canal d'aspiration (voir figure C)

Retirez de temps en temps le capuchon de protection (13) et nettoyez le canal d'aspiration (14) afin de toujours disposer d'une puissance d'aspiration optimale.

Service après-vente et conseil utilisateurs

Notre Service après-vente répond à vos questions concernant la réparation et l'entretien de votre produit et les pièces de rechange. Vous trouverez des vues éclatées et des informations sur les pièces de rechange sur le site : www.bosch-pt.com

L'équipe de conseil utilisateurs Bosch se tient à votre disposition pour répondre à vos questions concernant nos produits et leurs accessoires.

Pour toute demande de renseignement ou commande de pièces de rechange, précisez impérativement la référence à 10 chiffres figurant sur l'étiquette signalétique du produit.

Algérie

Siestal
Zone Industrielle Ihaddaden
06000 Bejaia
Tel. : +213 (0) 982 400 991/2
Fax : +213 (0) 3 420 1569
E-Mail : sav@siestal-dz.com

Maroc

Robert Bosch Morocco SARL
53, Rue Lieutenant Mahroud Mohamed
20300 Casablanca
E-Mail : sav.outillage@ma.bosch.com

Tunisie

Robert Bosch Tunisie SARL
7 Rue Ibn Battouta Z.I. Saint Gobain
Mégrine Riadh
2014 Ben Arous
Tél. : +216 71 427 496/879
Fax : +216 71 428 621
E-Mail : sav.outillage@tn.bosch.com

Côte d'Ivoire

Rimco
ZONE 3, 9 RUE DU CANAL
01 BP V230, Abidjan 01
Tel. : +225 21 25 93 38

Sénégal

Bernabé
Km 2,5 – Bd du Centenaire de la Commune de Dakar
B.P. 2098 DAKAR
Tel. : +221 33 849 01 01
Fax : +221 33 823 34 20

Élimination des déchets

Les outils électroportatifs, ainsi que leurs accessoires et emballages, doivent pouvoir suivre chacun une voie de recyclage appropriée.



Ne jetez pas les outils électroportatifs avec les ordures ménagères !



إرشادات الأمان

الإرشادات العامة للأمان بالعدد
الكهربائية

⚠ تحذير

اطلع على كافة تحذيرات الأمان والتعليمات والصور والمواصفات المرفقة بالعدة الكهربائية. عدم اتباع التعليمات الواردة أدناه قد يؤدي إلى حدوث صدمة كهربائية، إلى نشوب حريق و/أو الإصابة بجروح خطيرة.

احفظ بجميع الملاحظات التحذيرية والتعليمات للمستقبل.

يقصد بمصطلح «العدة الكهربائية» المستخدم في الملاحظات التحذيرية، العدد الكهربائي الموصولة بالشبكة الكهربائية (بواسطة كابل الشبكة الكهربائية) وأيضاً العدد الكهربائي المزودة بمركم (دون كابل الشبكة الكهربائية).

الأمان بمكان الشغل

حافظ على نظافة مكان شغلك وإضاءة بشكل جيد. الفوضى في مكان الشغل ونطاقات العمل غير المضاءة قد تؤدي إلى وقوع الحوادث.

لا تستغل بالعدة الكهربائية في نطاق معرض لخطر الانفجار مثل الأماكن التي تتوفر فيه السوائل أو الغازات أو الأغبرة القابلة للاشتعال، العدد الكهربائي تولد شرراً قد يتطاير، فيشعل الأغبرة والأبخرة.

حافظ على بقاء الأطفال وغيرهم من الأشخاص بعيداً عندما تستعمل العدد الكهربائي. تثبتت الانتباه قد يتسبب في فقدان السيطرة على الجهاز.

الأمان الكهربائي

يجب أن يتلائم قابس العدد الكهربائي مع المقبس. لا يجوز تغيير القابس بأي حال من الأحوال. لا تستعمل القوابس المهايئة مع العدد الكهربائي المؤرضة (ذات طرف أرضي). تخفض القوابس التي لم يتغيرها والمقابس الملائمة من خطر الصدمات الكهربائية.

تجنب ملامسة جسمك للأسطح المؤرضة كالأنابيب والمبردات والموافد أو التلجالات. يزداد خطر الصدمات الكهربائية عندما يكون جسمك مريض أو موصل بالأرضي.

أبعد العدد الكهربائي عن الأمطار أو الرطوبة. يزداد خطر الصدمات الكهربائية إن تسرب الماء إلى داخل العدد الكهربائي.

لا تسئ استعمال الكابل. لا تستخدم الكابل في حمل العدد الكهربائي أو سحبها أو سحب القابس من المقبس. احرص على إبعاد الكابل عن الحرارة والزيت والمواف الحادة أو الأجزاء المتحركة. تزيد الكابلات التالفة أو المتشابكة من خطر الصدمات الكهربائية.

عند استخدام العدد الكهربائي خارج المنزل اقتصِر على استخدام كابلات التمديد الصالحة للاستعمال الخارجي. يقلل استعمال كابل تمديد

مخصص للاستعمال الخارجي من خطر الصدمات الكهربائية.

إن لم يكن بالإمكان تجنب تشغيل العدة الكهربائية في الأجواء الرطبة، فاستخدم مفتاح للوقاية من التيار المتخلف. إن استخدام مفتاح للوقاية من التيار المتخلف يقلل خطر الصدمات الكهربائية.

أمان الأشخاص

كن يقظاً وانتبه إلى ما تفعله واستخدم العدة الكهربائية بتعقل. لا تستخدم عدة كهربائية عندما تكون متعباً أو عندما تكون تحت تأثير المخدرات أو الكحول أو الأدوية. عدم الانتباه للحظة واحدة عند استخدام العدة الكهربائية قد يؤدي إلى إصابات خطيرة.

قم لارتداء تجهيزات الحماية الشخصية. وارتد دائماً نظارات واقية. بعد ارتداء تجهيزات الحماية الشخصية، كقناع الوقاية من الغبار وأحذية الأمان الواقية من الانزلاق والوذو أو واقية الأذنين، حسب ظروف استعمال العدة الكهربائية، من خطر الإصابة بجروح.

تجنب التشغيل بشكل غير مقصود. تأكد من كون العدة الكهربائية مطفاةً قبل توصيلها بالتيار الكهربائي و/أو بالمركم، وقبل رفعها أو حملها. إن كنت تضع إصبعك على المفتاح أثناء حمل العدة الكهربائية أو إن وصلت الجهاز بالشبكة الكهربائية بينما لامفتاح على وضع التشغيل، قد يؤدي إلى وقوع الحوادث.

انزع أداة الضبط أو مفتاح الربط قبل تشغيل العدة الكهربائية. قد تؤدي الأداة أو المفتاح المتواجد في جزء دوار من الجهاز إلى الإصابة بجروح.

تجنب أوضاع الجسم غير الطبيعية. قف بأمان وحافظ على توازنك دائماً. سيسم لك ذلك بالتحكم في الجهاز بشكل أفضل في المواقف الغير متوقعة.

قم بارتداء ثياب مناسبة. لا ترتد الثياب الفضفاضة أو الملئ. احرص على إبقاء الشعر والملابس بعيداً عن الأجزاء المتحركة. قد تشابك الثياب الفضفاضة والملئ والشعر الطويل بالأجزاء المتحركة.

إن جاز تركيب تجهيزات شفط وتجميع الغبار، فتأكد من أنها موصولة وبأنه يتم استخدامها بشكل سليم. قد يقلل استخدام تجهيزات لشفط الغبار من المخاطر الناتجة عن الغبار.

لا تستخدم العدة الكهربائية بلا مبالاة وتجاهل قواعد الأمان الخاصة بها نتيجة لتعودك على استخدام العدة الكهربائية وكثرة استخدامها. فقد يتسبب الاستخدام دون حرص في حدوث إصابة بالغة تحدث في أجزاء من الثنائية.

حسن معاملة واستخدام العدد الكهربائي لا لفرط بتحميل الجهاز. استخدم لتنفيذ أشغالك العدة الكهربائية المخصصة لذلك. إنك تعمل بشكل أفضل وأكثر أماناً بواسطة العدة الكهربائية الملائمة في مجال الأداء المذكور.

لا تستخدم العدة الكهربائية إن كان مفتاح تشغيلها تالف. العدة الكهربائية التي لم يعد من

- ◀ لا تلمس أبدا سير الجلب الدائر. خطر التعرض للإصابة.
- ◀ قم بارتداء قفازات حماية ولا تلمس أبدا سير الجلب الدائر. خطر التعرض للإصابة.
- ◀ احرص على عدم تعرض أية أشخاص للإصابة للاثتعال عن العدة الكهربائية. عند القيام بتخليج المعادن يتولد شرر متطاير.
- ◀ لا تستخدم أشرطة جلب متأكلة أو متشققة أو متضررة بشدة. أشرطة الجلب المتضررة يمكن أن تتمزق وتتطاير وتعرض الأفراد للإصابة.
- ◀ تنبيه لخطر الحريق! تجنب تعرض القطعة التي يتم جلبها والمخلعة للسخونة المفرطة. قم دائما بتفريغ وعاء البخار قبل فترات الراحة أثناء العمل. قد يمتزق غبار التخليج الموجود بكيس الغبار، والفيلتر الدقيق، وكيس النفايات الورقية (أو في الفيلتر أو في فلتر الكنسة) من جراء الاستخدام غير المناسب، مثل تطاير الشرر أثناء تخليج المعادن. قد يتولد خطر بالغ عندما يكون غبار التخليج ممزوجا ببقايا طلاء أو بولي يوريثان أو مواد كيميائية أخرى وكذلك عندما تكون القطعة التي يجري عليها العمل ساخنة بعد فترة عمل طويلة.
- ◀ قم بتنظيف فتحات التهوية بالعدة الكهربائية بشكل دوري. إن مفاغ المحرك يسبب الغبار إلى داخل الهيكل، وتراكم الغبرة المعدنية الشديد قد يشكل المخاطر الكهربائية.
- ◀ احرص على تأمين قطعة الشغل. قطعة الشغل المثبتة بواسطة تجهيزة شد أو بواسطة الملزمة مثبتة بأمان أكبر مما لو تم الإمساك بها بواسطة يدك.
- ◀ انتظر إلى أن تتوقف العدة الكهربائية عن الحركة قبل أن تضعها جانبا. قد تتكلم عدة الشغل فتؤدي إلى فقدان السيطرة على العدة الكهربائية.
- ◀ أمسك العدة الكهربائية جيدا بكلتا اليدين عند العمل، واحرص على أن تكون في وضعية ثابتة. يتم توجيه العدة الكهربائية بأمان بواسطة اليدين الأثنين.

وصف المنتج والأداء

- اقرأ جميع إرشادات الأمان والتعليمات. ارتكاب الأخطاء عند تطبيق إرشادات الأمان والتعليمات، قد يؤدي إلى حدوث صدمات الكهربائية أو إلى نشوب الحرائق و/أو الإصابة بجروح خطيرة.
- يرجى الرجوع إلى الصور الموجودة في الجزء الأول من دليل التشغيل.



الاستعمال المخصص

- العدة الكهربائية مخصصة لتخليج الجاف بقدرة إزاحة عالية لسطوح الخشب واللداين والمعادن والمعجون وأيضا للسطوح المطلية بالورنيش.

- الممكن التحكم بها عن طريق مفتاح التشغيل والإطفاء تعتبر خطيرة ويجب أن يتم إصلاحها.
- ◀ اسحب القابس من المقبس و/أو اخلع المركب، إذا كان قابلا للخلع، قبل ضبط الجهاز وقبل استبدال الملحقات أو قبل تخزين الجهاز. تمنع هذه الإجراءات وقائية تشغيل العدة الكهربائية بشكل غير مقصود.
- ◀ احتفظ بالعدد الكهربائية التي لا يتم استخدامها بعيدا عن متناول الأطفال. لا تسمح باستخدام العدة الكهربائية لمن لا خبرة له بها أو لمن لم يقرأ تلك التعليمات. العدد الكهربائي خطيرة إن تم استخدامها من قبل أشخاص دون خبرة.
- ◀ اعتن بالعدة الكهربائية والملحقات بشكل جيد. تأكد أن أجزاء الجهاز المتحركة مركبة بشكل سليم وغير مستعصبة عن الحركة، وتفحص ما إن كانت هناك أجزاء مكسورة أو في حالة تؤثر على سلامة أداء العدة الكهربائية. ينبغي إصلاح هذه الأجزاء التالفة قبل إعادة تشغيل الجهاز. الكثير من الحوادث مصدرها العدد الكهربائية التي تتم صيانتها بشكل رديء.
- ◀ احرص على إبقاء عدد القطع نظيفة وحادة. إن عدد القطع ذات حواف القطع المادة التي تم صيانتها بعناية تتكلم بشكل أقل ويمكن توجيهها بشكل أيسر.
- ◀ استخدم العدد الكهربائية والتوايح وريش الشغل إلخ. وفقا لهذه التعليمات. تراعى أثناء ذلك ظروف الشغل والعمل المراد تنفيذه. استخدام العدد الكهربائية لغير الأشغال المخصصة لأجلها قد يؤدي إلى حدوث الحالات الخطيرة.
- ◀ احرص على إبقاء المقابض وأسطح المسك جافة ونظيفة وخالية من الزيوت والشحوم. المقابض وأسطح المسك الزلقة لا تتبع التشغيل والتحكم الأمان في العدة في المواقف غير المتوقعة.
- الخدمة
- ◀ احرص على إصلاح عدتك الكهربائية فقط بواسطة العمال المتخصصين وباستعمال قطع الغيار الأصلية فقط. يضمن ذلك المحافظة على أمان الجهاز.
- إرشادات الأمان الخاصة بالمخلعة
- ◀ أمسك العدة الكهربائية من أسطح المسك المعزولة، حيث يمكن لسطح السنفرة أن يلامس السلك الخاص بالمعدة. قطع سلك «مكهرب» قد يتسبب في مرور التيار في الأجزاء المعدنية من العدة وجعلها مكهربة مما قد يسبب المشغل بصدمة كهربائية.
- ◀ استخدم العدة الكهربائية فقط لتخليج الجاف. يزداد خطر الصدمات الكهربائية إن تسرب الماء إلى داخل العدة الكهربائية.
- ◀ قم بتحريك العدة الكهربائية وهي مشغلة عكس قطعة الشغل وقم أولا بإيقافها أولا، بعد أن ترفعها عن قطعة الشغل. قد تتمزق العدة الكهربائية بشكل مفاجئ.

الأجزاء المصورة

يشير ترقيم الأجزاء المصورة إلى رسوم العدة الكهربائية الموجودة في صفحة الرسوم التخطيطية.

(1) مقبض إضافي (سطح قبض معزول)

(2) سير تجميع^(A)

(3) ذراع شد سير التجميع

(4) مفتاح التشغيل والإطفاء

(5) زر تثبيت مفتاح التشغيل والإطفاء

(6) صندوق الأتربة كامل (نظام المرشح الدقيق)

(7) مهائئ شفت^(A)

(8) مقبض (مقبض مسك معزول)

(9) وصلة النفخ

(10) ذراع التثبيت لصندوق الغبار

(11) عنصر الترشيح (نظام المرشح الدقيق)

(12) زر ضبط مسار السير

(13) غطاء الوقاية

(14) ممر الغبار

(A) لا يتضمن إطار التوريد الاعتيادي التوابع المصورة أو المشروحة. تجد التوابع الكاملة في برنامجنا للتوابع.

البيانات الفنية

جلاخة سيرية		GBS 75 A
رقم الصنف		3 601 B74 0..
قدرة الدخل الاسمية	واط	710
قدرة الخرج	واط	350
سرعة السير للاحملية	متر/ دقيقة	300
طول سير التجميع	مم	533
عرض سير التجميع	مم	75
وصلة شفت داخلي/خارجي		●
الوزن حسب EPTA-Procedure 01:2014	كجم	3,2
فئة الحماية		II/□

تسري البيانات على جهد اسمي [U] يبلغ 230 فولت. قد تختلف تلك البيانات حسب اختلاف الجهد والطرازات الخاصة بكل دولة.

التركيب

◀ اسحب القابس من مقبس الشبكة الكهربائية قبل إجراء أي عمل على العدة الكهربائية.

شفط الغبار/النشارة

إن غبار بعض المواد كالطلاء الذي يحتوي على الرصاص، وبعض أنواع الخشب والفلزات والمعادن، قد تكون مضرّة بالصحة. إن ملامسة أو استنشاق غبار قد يؤدي إلى أعراض حساسية و/أو إلى أمراض الجهاز التنفسي لدى المستخدم أو لدى الأشخاص المتواجدين على مقربة من المكان. تعتبر بعض الأغبرة المعينة، كأغبرة البلوط والزان، مسببة للسرطان، ولا سيما عند الارتباط بالمواد

الإضافية لمعالجة الخشب (ملح جامض الكروميك، المواد المافظة للفشب). يجوز أن يتم معالجة المواد التي تحتوي على الأسيستوس من قبل العمال المتخصصين فقط دون غيرهم.

- استخدم شافطة غبار ملائمة للمادة قدر الإمكان.

- حافظ على تهوية مكان الشغل بشكل جيد.

- ينصح بارتداء قناع ووقاية للتنفس بفئة المرشح P2. تراعى الأحكام السارية في بلدكم بالنسبة للمواد المرغوب معالجتها.

◀ **تجنب تراكم الغبار بمكان العمل.** يجوز أن تشتعل الأغبرة بسهولة.

الشفط الذاتي مع استخدام صندوق الغبار (انظر الصور A1-A4)

قم بتركيب صندوق الغبار (6) على مهائئ الشفت (7) إلى أن يثبت. أدخل مهائئ الشفت (7) في وصلة النفخ (9).

لتفريغ صندوق الغبار (6) اضغط على ذراع التثبيت (10) على جانب صندوق الغبار واسحب صندوق الغبار.

قبل فتح صندوق الغبار (6) قم بالطرق عليه على أرضية ثابتة، كما هو موضح في الصورة، لإخراج الغبار من عنصر الترشيح.

أمسك صندوق الغبار (6) من فتحة القبض وقم بطي عنصر الفلتر (11) لأعلى ثم قم بتفريغ صندوق الغبار. قم بتنظيف شرائح عنصر الفلتر (11) باستخدام فرشاة ناعمة.

إرشاد: تتميز الجلاخة السيرية بقدرة إزالة عالية. لضمان قدرة شفط مثالية للغبار قم بتفريغ صندوق الغبار (6) بانتظام بعد 5 دقائق من التشغيل وقم بتنظيف عنصر الترشيح (11) بانتظام.

الشفط الخارجي

قم بتركيب خرطوم الشفت على فوهة الشفت (9). قم بتوصيل خرطوم الشفت بشفاط الغبار. تجد في نهاية هذا الدليل عرضاً عاماً للتوصيل بشفاطات الغبار المختلفة.

يجب أن تصلح شافطة الغبار الخوائية للاستعمال مع مادة الشغل المرغوب معالجتها.

استخدم شافطة غبار خوائية خاصة عند شفط الأغبرة المضرّة بالصحة أو المسببة للسرطان أو الشديدة الجفاف.

تغيير سير التجميع (انظر الصورة B)

- حرك ذراع الشد (3) للخارج تماماً. أصبح سير التجميع (2) الآن حراً، ويمكن خلعه.

- ركب سير التجميع (2) الجديد. احرص على أن يتطابق اتجاه السهم على شريط الجلب مع اتجاه السهم على جسم العدة الكهربائية.

- أعد قلب ذراع الشد (3) إلى الوضع الأصلي.

- ارفع العدة الكهربائية وشغلها. يتمركز مسار السير عند التشغيل وأثناء عملية الجلب بشكل آلي.

احرص على ألا يتم تجميع هيكل العدة عن طريق سير التجميع (2). افحص مسار السير بانتظام واضبطه عند اللزوم بواسطة زر الضبط (12).

أن آثار التجليخ العرضية تؤدي إلى معالم تجليخ مزعجة.

عند إزالة بقايا الورنيش بالتجليخ، قد تنصهر البقايا فتؤدي إلى تلطخ سطح مادة الشغل وسير التجليخ. لذلك أحرص عند العمل على استخدام تجهيزة شفط غبار.

ينبغي ألا يتم استخدام سير تجليخ سبق و تم استعماله لتجليخ المعادن من أجل تجليخ أية مواد أخرى.

اقتصر على استخدام توابع التجليخ الأصلي **Bosch**. احتفظ بسيور التجليخ فقط عن طريق تعليقها ولا تقوم بنيتها، لأن ذلك سيؤدي إلى عدم صلاحيتها للاستعمال.

يسمح إطار التجليخ (من التوابع) بالتوصل إلى قدرة إراحة منتظمة وقابلة للتغيير عند جلع السطوح الخشبية الكبيرة.

الصيانة والخدمة

الصيانة والتنظيف

◀ اسحب القابس من مقبس الشبكة الكهربائية قبل إجراء أي عمل على العدة الكهربائية.

◀ للعمل بشكل جيد وأمن حافظ دائماً على نظافة العدة الكهربائية وقتما التهوية.

قم بإزالة غبار الجلع الملتصق باستخدام فرشاة.

إذا تطلب الأمر استبدال خط الإمداد، فينبغي أن يتم ذلك من قبل شركة **Bosch** أو من قبل مركز خدمة الزبائن المعتمد لشركة **Bosch** للعدد الكهربائية، لتجنب التعرض للمخاطر.

تنظيف ممر الغبار (انظر الصورة C)

فك غطاء الوقاية (13) من وقت لآخر ونظف ممر الغبار (14) للمحافظة على قدرة شفط غبار مثالية.

خدمة العملاء واستشارات الاستخدام

يجيب مركز خدمة العملاء على الأسئلة المتعلقة بإصلاح المنتج وصيانتها، بالإضافة لقطع الغيار. تجد الرسوم التفصيلية والمعلومات الخاصة بقطع الغيار في الموقع: www.bosch-pt.com

يسر فريق Bosch لاستشارات الاستخدام مساعدتك إذا كان لديك أي استفسارات بخصوص منتجنا وملحقاتها.

عند إرسال أية استفسارات أو طلبيات بخصوص قطع غيار يلزم ذكر رقم الصنف ذو الخانات العشر وفقاً للوحة صنع المنتج.

الجزائر

سيستال

منطقة الحدادين الصناعية

بجاية 06000

هاتف: 991/2 400 982 (0) 213 +

فاكس: 3 420 1569 (0) 213 +

بريد إلكتروني: sav@siestal-dz.com

البحرين

مؤسسة حاتم الجفالي للمعدات الفنية.

مملكة البحرين، طريق ستره السريع، منطقة العكر

هاتف: 311-966126971777 +

اختيار سير التجليخ

تتوفر سيور تجليخ مختلفة حسب المادة المطلوب معالجتها وحسب قدرة الإزاحة المرغوبة:

المبيبات

40-240

red:Wood

لمعالجة جميع أنواع المواد الخشبية

للتجليخ الأولي في العوارض والألواح الخشبية الخشنة وغير المصقولة على سبيل المثال	تقريبي 40، 60
للتجليخ السطحي وتسوية مواضع متوس	80، 100
عدم الاستواء الصغيرة	120
لتشطيب وتنعيم تجليخ الأخشاب الصلدة	180، 240

التشغيل

بدء التشغيل

◀ يراعى جهد الشبكة الكهربائية! يجب أن يتطابق جهد منبع التيار مع البيانات المذكورة على لوحة صنع العدة الكهربائية. يمكن أن يتم تشغيل العدد الكهربائية المميزة بعلامة 230 فلت في مقبس 220 فلت أيضاً.

التشغيل والإطفاء

◀ تأكد أنه بإمكانك الضغط على زر التشغيل/الإيقاف دون ترك المقبض اليدوي.

لغرض تشغيل العدة الكهربائية اضغط على مفتاح التشغيل/الإطفاء (4) واحتفظ به مضغوطاً.

لغرض تثبيت مفتاح التشغيل/الإطفاء (4)، احتفظ به مضغوطاً واضغط على زر التثبيت أيضاً (5).

لغرض إطفاء العدة الكهربائية اترك مفتاح التشغيل/الإطفاء (4). في حالة ثبات زر التشغيل/الإطفاء (4)، اضغط عليه أولاً ثم اتركه بعد ذلك.

إرشادات العمل

◀ اسحب القابس من مقبس الشبكة الكهربائية قبل إجراء أي عمل على العدة الكهربائية.

يتم تحديد قدرة الإزاحة أثناء التجليخ وجودة السطح بشكل كبير من خلال اختيار سير التجليخ وأيضاً من خلال سرعة السير التي تم ضبطها سابقاً. كلما زادت سرعة السير ازدادت قدرة الإزاحة وازدادت نعومة سطح التجليخ.

إن سيور التجليخ السليمة هي وحدها التي تؤمن قدرة التجليخ الجيدة والتي تصون العدة الكهربائية.

حاول أن تعمل بضغط ارتكاز منخفض قدر الإمكان لزيادة مدة صلاحية سيور الجلع. إن وزن العدة الكهربائية بمفردها يكفي لأداء عملية تجليخ جيدة. إن زيادة ضغط الارتكاز بشكل كبير لا يؤدي إلى زيادة قدرة الجلع، بل إلى استهلاك أكبر بالعدة الكهربائية وبسير الجلع.

ركز العدة الكهربائية على السطح المرغوب معالجته وهي في حالة التشغيل. اشغل بدفع معتدل إلى الأمام وانجز عملية التجليخ بموازاة وتراكب بالنسبة لخطوط التجليخ. نفذ عمل التجليخ باتجاه الألياف، إذ

المملكة العربية السعودية

الجفالي وأخوانه للمعدات الفنية (جيتكو)
الكيلو 14، طريق المدينة، منطقة البوادي
21431 جدة

هاتف: +966 2 6672222 فرع 1528

فاكس: +966 2 6676308

بريد إلكتروني: roland@eajb.com.sa

سوريا

مؤسسة دلال للأدوات الكهربائية
صندوق بريد صندوق 1030
حلب

هاتف: +963212116083

بريد إلكتروني: rita.dallal@hotmail.com

تونس

روبرت بوش تونس ش.ذ.م.م

7 زنقة ابن بطوطة Z.I. سان جوبان

مقرين رياض

2014 ابن عروس

هاتف: +216 71 427 496/879

فاكس: +216 71 428 621

بريد إلكتروني: sav.outillage@tn.bosch.com

الإمارات العربية المتحدة

المركزية للسيارات والمعدات ذ.م.م، صندوق بريد
صندوق 1984

شارع الوحدة - مبنى صنعا القديمة
الشارقة

هاتف: +971 6 593 2777

فاكس: +971 6 533 2269

بريد إلكتروني: powertools@centralmotors.ae

اليمن

مؤسسة أبو الرجال التجارية

صنعا، شارع الزبير، أمام مبنى البرلمان الجديد

هاتف: +967-1-202010

فاكس: +967-1-279029

بريد إلكتروني: tech-tools@abualrejal.com

التخلص من العدة الكهربائية

ينبغي تسليم العدد الكهربائية والتوابع والعبوة إلى
مركز معالجة النفايات بطريقة محافظة على البيئة.

لا ترم العدد الكهربائية ضمن النفايات
المنزلية.



فاكس: +97317704257

بريد إلكتروني: h.berjas@eajb.com.sa

مصر

يوتيمار

20 مركز خدمات

التجمع الأول - القاهرة الجديدة

هاتف: +20 2224 76091-95

هاتف: +20 2224 78072-73

فاكس: +20222478075

بريد إلكتروني: adelzaki@unimaregypt.com

العراق

مجموعة الصهبا للتكنولوجيا

شارع مطار المثنى

بغداد

هاتف: +9647901906953

هاتف دبي: +97143973851

بريد إلكتروني: bosch@sahbatechnology.com

الأردن

الجزور العربية Roots Arabia - الأردن

شارع ناصر بن جميل، المبنى 37 الرابعة

11194 عمان

هاتف: +962 6 5545778

بريد إلكتروني: bosch@rootsjordan.com

الكويت

شركة القرين لتجارة السيارات

منطقة الشويخ الصناعية، مبنى 1، قطعة 16، شارع

رقم 3

صندوق بريد صندوق 164 - 13002 الصفاة

هاتف: 24810844

فاكس: 24810879

بريد إلكتروني: josephkr@aaalmutawa.com

لبنان

طحميني هنا وشركاه ش.ذ.م.م.

صندوق بريد صندوق 90-449

جديده

الدورة-بيروت

هاتف: +9611255211

بريد إلكتروني: service-pt@tehini-hana.com

المغرب

روبر بوش المغرب ش.ذ.م.م.

53، زنقة الملازم مرود محمد

20300 كازابلانكا

بريد إلكتروني: sav.outillage@ma.bosch.com

عُمان

ملتن للتجارة والمقاولات ش.م.م.

صندوق بريد صندوق 131

حي روي، 112 سلطة عُمان

هاتف: +968 99886794

بريد إلكتروني: malatanpowertools@malatan.net

قطر

الدولية لحلول البناء ش.م.م.

صندوق بريد صندوق 51،

هاتف الدوحة: +974 40065458

فاكس: +974 4453 8585

بريد إلكتروني: csd@icsdoha.com

آفارس

دستورات ایمنی

نکات ایمنی عمومی برای ابزارهای برقی

مناسب برای محیط باز، خطر برق گرفتگی را کم می کنند.

- در صورت لزوم کار با ابزار برقی در محیط و اماکن مرطوب، باید از یک کلید حفاظتی جریان خطا و نشستی زمین (کلید قطع کننده اتصال با زمین) استفاده کنید. استفاده از کلید حفاظتی جریان خطا و نشستی زمین خطر برق گرفتگی را کاهش می دهد.

رعایت ایمنی اشخاص

- حواس خود را خوب جمع کنید، به کار خود دقت کنید و با فکر و هوشیاری کامل با ابزار برقی کار کنید. در صورت خستگی و یا در صورتی که مواد مخدر، الکل و دارو استفاده کرده‌اید، با ابزار برقی کار نکنید. یک لحظه بی توجهی هنگام کار با ابزار برقی، میتواند جراحات های شدیدی به همراه داشته باشد.

- از تجهیزات ایمنی شخصی استفاده کنید. همواره از عینک ایمنی استفاده نمایید. استفاده از تجهیزات ایمنی مانند ماسک ضد گرد و غبار، کفشهای ایمنی ضد لغزش، کلاه ایمنی و گوشی محافظ متناسب با نوع کار با ابزار برقی، خطر مجروح شدن را کاهش میدهد.

- مواظب باشید که ابزار برقی بطور ناخواسته بکار نیفتد. قبل از وارد کردن دوشاخه دستگاه در پریز برق، اتصال آن به باتری، برداشتن آن و یا حمل دستگاه، باید دقت کنید که ابزار برقی خاموش باشد. در صورتی که هنگام حمل دستگاه انگشت شما روی دکمه قطع و وصل باشد و یا دستگاه را در حالت روشن به برق بزنید، ممکن است سوانح کاری پیش آید.

- قبل از روشن کردن ابزار برقی، همه ابزارهای تنظیم کننده و آپارها را از روی دستگاه بردارید. ابزار و آپارهایی که روی بخش های چرخنده دستگاه قرار دارند، میتوانند باعث ایجاد جراحات شوند.

- وضعیت بدن شما باید در حالت عادی قرار داشته باشد. برای کار جای مطمئنی برای خود انتخاب کرده و تعادل خود را همواره حفظ کنید. به این ترتیب میتوانید ابزار برقی را در وضعیتهای غیر منتظره بهتر تحت کنترل داشته باشید.

- لباس مناسب بپوشید. از پوشیدن لباسهای گشاد و حمل زینت آلات خودداری کنید. موها و لباس خود را از بخشهای در حال چرخش دستگاه دور نگه دارید. لباسهای گشاد، موی بلند و زینت آلات ممکن است در قسمتهای در حال چرخش دستگاه گیر کنند.

- در صورتی که تجهیزاتی برای اتصال وسائل مکش گرد و غبار و یا وسیله جمع کننده گرد و غبار ارائه شده است، باید مطمئن شوید که این وسائل درست نصب و استفاده می شوند. استفاده از وسائل مکش گرد و غبار مصونیت شما را در برابر گرد و غبار زیادتر میکند. آشنایی با ابزار به دلیل کار کردن زیاد با آن نباید باعث سهل انگاری شما و نادیده گرفتن اصول ایمنی شود. بی دقتی ممکن است باعث بروز جراحاتی در عرض کسری از ثانیه شود.

هشدار

کلید هشدارها، دستورات العملها، تصاویر و مشخصات ارائه شده به همراه ابزار برقی را مطالعه کنید. اشتباهات ناشی از عدم رعایت این دستورات ایمنی ممکن است باعث برق گرفتگی، سوختگی و یا سایر جراحات های شدید شود.

کلید هشدارهای ایمنی و راهنماییها را برای آینده خوب نگهداری کنید.

عبارت «ابزار برقی» در هشدارها به ابزارهایی که به پریز برق متصل میشوند (با سیم برق) و یا ابزارهای برقی باتری دار (بدون سیم برق) اشاره دارد.

ایمنی محل کار

- محیط کار را تمیز و روشن نگه دارید. محیطهای در هم ریخته یا تاریک احتمال بروز حادثه را افزایش میدهد.

- ابزار برقی را در محیطهایی که خطر انفجار وجود دارد و حاوی مایعات، گازها و بخارهای متحرکه هستند، به کار نگیرید. ابزارهای برقی چرقههایی ایجاد میکنند که میتوانند باعث آتش گرفتن گرد و غبارهای موجود در هوا شوند.

- هنگام کار با ابزار برقی، کودکان و سایر افراد را از دستگاه دور نگه دارید. در صورتیکه حواس شما پرت شود، ممکن است کنترل دستگاه از دست شما خارج شود.

ایمنی الکتریکی

- دوشاخه ابزار برقی باید با پریز برق تناسب داشته باشد. هیچگونه تغییری در دوشاخه ایجاد نکنید. مبدل دوشاخه نباید همراه با ابزار برقی دارای اتصال زمین استفاده شود. دوشاخههای اصل و تغییر داده نشده و پریزهای مناسب، خطر برق گرفتگی را کاهش میدهند.

- از تماس بدنی با قطعات متصل به سیم اتصال زمین مانند لوله، شوفاژ، اجاق برقی و یخچال خودداری کنید. در صورت تماس بدنی با سطوح و قطعات دارای اتصال به زمین و همچنین تماس شما با زمین، خطر برق گرفتگی افزایش می یابد.

- ابزارهای برقی را در معرض باران و رطوبت قرار ندهید. نفوذ آب به ابزار برقی، خطر شوک الکتریکی را افزایش میدهد.

- از سیم دستگاه برای مقاصد دیگر استفاده نکنید. هرگز برای حمل ابزار برقی، کشیدن آن یا خارج کردن دوشاخه از سیم دستگاه استفاده نکنید. کابل دستگاه را از حرارت، روغن، لپه‌های تیز یا قطعات متحرک دور نگه دارید. کابلهای آسیب دیده و یا گره خورده خطر شوک الکتریکی را افزایش میدهند.

- هنگام استفاده از ابزار برقی در محیطهای باز، تنها از کابل رابطی استفاده کنید که برای محیط باز نیز مناسب باشد. کابل های رابط

- ◀ از ابزار برقی تنها برای ساب خشک استفاده کنید. نفوذ آب به ابزار الکتریکی، خطر شوک الکتریکی را افزایش میدهد.
- ◀ ابزار برقی را فقط هنگام روشن بودن به طرف قطعهکار برانید و آن را تنها پس از بلند کردن قطعه کار خاموش کنید. ابزار برقی ممکن است ناگهان بکار بیفتد.
- ◀ هرگز به نوار ساب در حال حرکت دست نزنید. خطر جراحت وجود دارد.
- ◀ از دستکش ایمنی استفاده کنید و هرگز به نوار ساب در حال حرکت دست نزنید. خطر جراحت وجود دارد.
- ◀ دقت کنید که هیچ فردی در معرض پرش جرقه قرار نگرفته باشد. اشیاء قابل اشتعال نزدیک را بردارید. هنگام سابزدن فلزات، جرقه تولید میشود.
- ◀ از نوارهای ساب فرسوده، ترکدار یا دارای رسوب زیاد استفاده نکنید. نوارهای ساب آسیب دیده ممکن است بشکنند، پرت شوند و دیگران را زخمی کنند.
- ◀ احتیاط: خطر آتشسوزی! از داغ شدن بیش از اندازه قطعهکار و دستگاه ساب جلوگیری کنید. قبل از انجام استراحت کاری، محفظه گرد و غبار را خالی کنید. گرد و غبار ناشی از سایش در محفظه گرد و غبار، فیلتر ظریف، کیسه کاغذی (با در کیسه فیلتر یا کیسه مکنده) ممکن است در شرایط نامناسبی مانند پرش جرقه هنگام سابزدن فلزات، خودبهخود آتش بگیرند. بخصوص وقتی که گرد و غبار ناشی از سایش، دارای رنگ، بقایای پلیاتان یا سایر مواد شیمیایی و قطعه کار پس از کار طولانی داغ شده باشد، خطرناک است.
- ◀ شیارهای تهویه ابزار برقی خود را مرتب تمیز کنید. گرد و غباری که از طریق پروانه موتور به داخل محفظه وارد شود و با تجمع زیاد براده فلز در آن ممکن است سوانع و خطرات الکتریکی را منجر گردد.
- ◀ قطعه کار را محکم کنید. در صورتیکه قطعه کار به وسیله تجهیزات نگه‌دارنده و یا بوسیله گیره محکم شده باشد، قطعه کار مطمئن تر نگه داشته میشود، تا اینکه بوسیله دست نگهداشته شود.
- ◀ قبل از کنار گذاشتن ابزار برقی صبر کنید تا دستگاه بطور کامل از کار و حرکت بایستد. ابزار ممکن است به قطعه کار گیر کرده و کنترل ابزار برقی از دست شما خارج شود.
- ◀ ابزار برقی را هنگام کار با دو دست محکم بگیرید و وضعیت خود را ثابت و مطمئن کنید. ابزار برقی با دو دست مطمئن تر هدایت می شود.

توضیحات محصول و کارکرد

همه دستورات ایمنی و راهنماییها را بخوانید. اشتباهات ناشی از عدم رعایت این دستورات ایمنی ممکن است باعث برقرافتگی، سوختگی و یا سایر جراحت های شدید شود.

به تصویرهای واقع در بخشهای اول دفترچه راهنما توجه کنید.



- استفاده صحیح از ابزار برقی و مراقبت از آن
- ◀ از وارد کردن فشار زیاد روی دستگاه خودداری کنید. برای هر کاری، از ابزار برقی مناسب با آن استفاده کنید. بکار گرفتن ابزار برقی مناسب باعث میشود که بتوانید از توان دستگاه بهتر و با اطمینان بیشتر استفاده کنید.
- ◀ در صورت ایراد در کلید قطع و وصل ابزار برقی، از دستگاه استفاده نکنید. ابزار برقی که نمی توان آنها را قطع و وصل کرد، خطرناک بوده و باید تعمیر شوند.
- ◀ قبل از تنظیم ابزار برقی، تعویض متعلقات و یا کنار گذاشتن آن، دوشاخه را از برق بکشید و یا باتری آنرا خارج کنید. رعایت این اقدامات پیشگیری ایمنی از راه افتادن ناخواسته ابزار برقی جلوگیری می کند.
- ◀ ابزار برقی را در صورت عدم استفاده، از دسترس کودکان دور نگه دارید و اجازه ندهید که افراد ناوارد و یا اشخاصی که این دفترچه راهنما را نخوانده‌اند، با این دستگاه کار کنند. قرار گرفتن ابزار برقی در دست افراد ناوارد و بی تجربه خطرناک است.
- ◀ از ابزار برقی و متعلقات خوب مراقبت کنید. مواظب باشید که قسمت های متحرک دستگاه خوب کار کرده و گیر نکند. همچنین دقت کنید که قطعات ابزار برقی شکسته و یا آسیب دیده نباشند. قطعات آسیب دیده را قبل از شروع به کار تعمیر کنید. علت بسیاری از سوانع کاری، عدم مراقبت کامل از ابزارهای برقی می باشد.
- ◀ ابزار برش را تیز و تمیز نگه دارید. ابزار برشی که خوب مراقبت شده و از لبه های تیز برخوردار است، کمتر در قطعه کار گیر کرده و بهتر قابل هدایت است.
- ◀ ابزار برقی، متعلقات، متعهای دستگاه و غیره را مطابق دستورات این جزوه راهنما به کار گیرید و به شرایط کاری و نوع کار نیز توجه داشته باشید. استفاده از ابزار برقی برای عملیاتی به جز مقاصد در نظر گرفته شده، میتواند به بروز شرایط خطرناک منجر شود.
- ◀ دستتها و سطوح عایق را همواره خشک، تمیز و عاری از روغن و گریس نگه دارید. دسته های لغزنده مانع ایمنی و کنترل در کار در شرایط غیر منتظره هستند.
- سرویس
- ◀ برای تعمیر ابزار برقی فقط به متخصصین حرفهای رجوع کنید و از قطعات یدکی اصل استفاده نمایید. این باعث خواهد شد که ایمنی دستگاه شما تضمین گردد.

دستورات ایمنی برای دستگاه ساب

- ◀ ابزار برقی را از محل سطوح عایق دار آن در دست بگیرید، زیرا امکان تماس تیغه برش با کابل برق دستگاه وجود دارد. در صورت برخورد با یک کابل حامل "جریان برق" ممکن است قسمتهای فلزی ابزار برقی حامل "جریان برق" شوند و باعث بروز شوک الکتریکی یا برق گرفتگی گردند.

موارد استفاده از دستگاہ

این ابزار برقی برای سنباده کاری خشک سطوح، با قدرت لایه برداری بسیار برای چوب، مواد پلاستیکی (الیاف مصنوعی)، فلز، مصالح ساختمانی (بتونه) و همچنین سطوح رنگ و لاک رنگ کاری شده در نظر گرفته شده است.

نصب

◀ **پیش از انجام هرگونه کاری بر روی ابزار الکتریکی، دوشاخه اتصال آنرا از داخل پریز برق بیرون بکشید.**

مکش گرد، براده و تراشه

گرد و غبار موادی مانند رنگ های دارای سرب، بعضی از چوب ها، مواد معدنی و فلزات میتوانند برای سلامتی مضر باشند. دست زدن و یا تنفس کردن گرد و غبار ممکن است باعث بروز آلرژی و یا بیماری مجاری تنفسی شخص استفاده کننده و یا افرادی که در آن نزدیکی میباشند، بشود. گرد و غبارهای مخصوصی مانند گرد و غبار درخت بلوط و یا درخت راش سرطان زا هستند، بخصوص ترکیب آنها با سایر موادی که برای کار بر روی چوب (کرومات، مواد برای محافظت از چوب) بکار برده میشوند. فقط افراد متخصص مجازند با موادی که دارای آزیست میباشند کار کنند.

- حتی الامکان از یک دستگاہ مکش مناسب و درخور ماده (قطعه کار) استفاده کنید.

- توجه داشته باشید که محل کار شما از تهویه هوای کافی برخوردار باشد.

- توصیه میشود از ماسک تنفسی ایمنی با درجه فیلتر P2 استفاده کنید.

به قوانین و مقررات معتبر در کشور خود در رابطه با استفاده از مواد و قطعات کاری توجه کنید.

◀ **از تجمع گرد و غبار در محل کار جلوگیری کنید.** گرد و غبار می توانند به آسانی مشتعل شوند.

مکش خود با محفظه گرد و غبار (رجوع کنید به تصاویر A1-A4)

محفظه گرد و غبار (6) را روی لوله مکش (7) قرار دهید تا جا بیافتد. شلنگ مکش (7) را روی لوله مکش (9) قرار دهید.

جهت خالی کردن محفظه گرد و غبار (6) اهرم قفل کننده (10) واقع در کنار محفظه گرد و غبار را فشار دهید و محفظه گرد و غبار را بیرون بکشید.

قبل از باز کردن محفظه گرد و غبار (6) بایستی آن را مانند تصویر روی یک سطح محکم قرار دهید تا گرد و غبار از بخش فیلتر جدا شود.

محفظه گرد و غبار (6) را از فرورفتگی بگیرید و فیلتر (11) را به بالا برانید و محفظه گرد و غبار را خالی کنید. پرههای فیلتر (11) را با یک برس نرم تمیز کنید. **نکته:** نوار ساب دارای توان بالای لایه برداری است. برای تضمین مکش بهینه، محفظه گرد و غبار (6) را پس از 5 دقیقه کار و فیلتر (11) را مرتب تمیز کنید.

مکش گرد و غبار توسط مکنده مجزا

شلنگ مکش را روی لوله مکش (9) قرار دهید. شلنگ مکش را به یک مکنده متصل کنید. تشریح نحوه اتصال مکنده های مختلف را در انتهای این دفترچه راهنما می یابید.

دستگاہ مکنده باید برای قطعه کار مورد نظر مناسب باشد.

برای مکش گرد و غباری که برای سلامتی مضرند و سرطان زا هستند و یا برای مکش تراشه های خشک باید از یک دستگاہ مکنده مخصوص استفاده کنید.

اجزاء دستگاہ

شماره های اجزاء دستگاہ که در تصویر مشاهده میشود، مربوط به شرح ابزار برقی می باشد که تصویر آن در این دفترچه آمده است.

(1) دسته کمکی (دسته های عایق)

(2) نوار ساب^(A)

(3) گیره نگهدارنده نوار سنباده

(4) کلید قطع و وصل

(5) دکمه قفل و تثبیت کلید قطع و وصل دستگاہ

(6) محفظه گرد و غبار کامل (سیستم میکرو فیلتر)

(7) آداپتور مکش^(A)

(8) دسته (دارای سطح عایق)

(9) سوراخ خروجی گرد و غبار

(10) کلید اهرمی قفل محفظه گرد و غبار

(11) فیلتر (سیستم میکرو فیلتر)

(12) پیچ تنظیم برای حرکت نوار سنباده

(13) درپوش محافظ

(14) غبارگیر

(A) **کلیه متعلقاتی که در تصویر و یا در متن آمده است، بطور معمول همراه دستگاہ ارائه نمی شود. لطفاً لیست کامل متعلقات را از فهرست برنامه متعلقات اقتباس نمائید.**

مشخصات فنی

سنباده نواری		GBS 75 A
شماره فنی	3 601 B74 0..	
قدرت ورودی نامی	W	710
قدرت خروجی	W	350
سرعت نوار در حالت آزاد	متر/ دقیقه	300
طول نوار سنباده	میلیمتر	533
عرض نوار سنباده	میلیمتر	75
قابلیت اتصال به کیسه یا محفظه گرد و غبار/به یک دستگاہ مکش مجزا		●
وزن مطابق استاندارد EPTA-Procedure 01:2014	kg	3,2
کلاس ایمنی	II/□	

مقادیر برای ولتاژ نامی [U] 230 ولت میباشند. برای ولتاژهای مختلف و تولیدات مخصوص کشورها، ممکن است این مقادیر، متفاوت باشند.

راهنماییهای عملی

◀ پیش از انجام هرگونه کاری بر روی ابزار الکتریکی، دو شاخه اتصال آنرا از داخل پریز برق بیرون بکشید.

میزان لایه برداری هنگام سائیدن و کیفیت سطح قطعه کار، عمدتاً از طریق انتخاب نوار سنباده و همچنین بوسیله انتخاب سرعت حرکت نوار تعیین می شود. هر چه سرعت حرکت نوار دستگاه بالاتر باشد، به همان نسبت مقدار بیشتری لایه برداری انجام شده و سطح قطعه کار صاف تر می شود. فقط بوسیله نوارهای سنباده بدون نقص می توان نتیجه کار خوب بدست آورد و ابزار برقی را بخوبی حفظ نمود.

حتی الامکان با فشار کم کار کنید تا نوارهای سنباده طول عمر بیشتری داشته باشند. وزن خود دستگاه برای قدرت سایش خوب، کافی می باشد. افزایش بیش از حد فشار بر روی دستگاه، منجر به سائیدن بهتر نمی شود بلکه فقط باعث استهلاک ابزار برقی و نوار سنباده میشود.

ابزار برقی را فقط در حال روشن بودن آن بر روی سطح قطعه کار قرار دهید و آنرا بطور آهسته و متعادل بطرف جلو حرکت دهید و عمل سنباده کاری را موازی و منطبق با مسیر سنباده کاری انجام دهید. عمل سنباده زنی را در مسیر تار و بود قطعه کار انجام دهید. حرکت خلاف مسیر تار و بود، شیارهای عرضی و نامطلوب در قطعه کار ایجاد می کند و باعث ایجاد سطح کار نامسطح و ناهموار شدن نتیجه کار می شود.

بخصوص هنگام سنباده کردن سطوحی با رنگ لاک، امکان ذوب شدن رنگ وجود داشته و این باعث آلوده شدن سطح قطعه کار و همچنین نوار سنباده می شود. از اینرو از یک مکنده استفاده کنید. نوار سنباده ای که با آن قبلاً روی فلز کار شده باشد، نباید برای مواد دیگر بکار برده شود. تنها متعلقات ساب اصلی **Bosch** را بکار برید. نوارهای سنباده را منحصراً در حالت آویخته نگهداری کنید و آنها را تا نکنید، در غیر اینصورت قابل استفاده نخواهند بود.

بوسیله قاب مخصوص سنباده (متعلقات) لایه برداری هموار و قابل تنظیم برای پرداخت کاملاً مسطح سطوح چوبی بزرگ امکان پذیر است.

مراقبت و سرویس

مراقبت، تعمیر و تمیز کردن دستگاه

◀ پیش از انجام هرگونه کاری بر روی ابزار الکتریکی، دو شاخه اتصال آنرا از داخل پریز برق بیرون بکشید.

◀ ابزار الکتریکی و شیارهای تهویه آنرا تمیز نگاه دارید، تا ایمنی شما در کار تضمین گردد.

گرد و غبار و ذرات چسبنده سنباده کاری را بوسیله یک برس (قلم مو) پاک کنید.

در صورت نیاز به یک کابل پدکی برای اتصال به شبکه برق، بایستی به شرکت **Bosch** و یا به نمایندگی مجاز **Bosch** (خدمات پس از فروش) برای ابزار برقی

تعویض نوار ساب

(رجوع کنید به تصویر B)

- اهرم مهار (3) را کاملاً بیرون بکشید. نوار ساب (2) حلاً آزاد است و میتوان آن را برداشت.
- نوار ساب جدید (2) را قرار دهید. دقت کنید که جهت های فلش واقع در طرف درونی نوار ساب و بدنه ابزار برقی با هم مطابقت داشته باشند.
- اهرم مهار (3) را دوباره به حالت اولیه برگردانید.
- ابزار برقی را بلند کنید و آنرا روشن کنید. حرکت نوار هنگام روشنکردن و در طول فرآیند سایش به طور خودکار در مرکز قرار میگیرد.
- دقت کنید که نوار ساب (2) بدنه را نساید. همواره حرکت نوار را کنترل و در صورت نیاز آن را با دکمه تنظیم (12) میزان کنید.

انتخاب نوار سنباده

متناسب با نوع جنسی که بر روی آن کار انجام می شود و میزان لایه برداری مورد نظر از سطح قطعه کار، نوارهای سنباده متفاوت در اختیار قرار دارند:

ضخامت

40-240

red:Wood

جهت کار روی انواع چوب

برای سایش اولیه، مانند تیر و تقریبی 40، 60
تخته های رنده نشده

برای سایش کاری کلی و صاف متوس 80، 100،
کردن ناهمواری های کوچک ط 120

برای سنباده زدن نهائی و ظریف دقیق 180، 240
چوب های سخت

طرز کار با دستگاه

راه اندازی و نحوه کاربرد دستگاه

- ◀ به ولتاژ شبکه برق توجه کنید! ولتاژ منبع جریان برق باید با مقادیر موجود بر روی برچسب ابزار الکتریکی مطابقت داشته باشد. ابزارهای برقی را که با ولتاژ 230 V ولت مشخص شده اند، می توان تحت ولتاژ 220 V ولت نیز بکار برد.

نحوه روشن و خاموش کردن

- ◀ از فعال کردن کلید قطع و وصل بدون رها کردن دسته مطمئن شوید.

جهت روشن کردن ابزار برقی کلید قطع/وصل (4) را فشار دهید و آنرا نگهدارید.

برای تثبیت کلید قطع و وصل (4) آن و کلید تثبیت (5) را فشار دهید.

برای خاموش کردن ابزار برقی کلید قطع و وصل (4) را رها کنید. در صورت قفل بودن کلید قطع و وصل (4) آن را ابتدا فشار دهید و بعد آن را رها کنید.

مراجعه کنید تا از بروز خطرات ایمنی جلوگیری بعمل آید.

غبارگیر (رجوع شود به تصویر C)

گاه به گاه درپوش محافظ (13) را بردارید و غبارگیر (14) را تمیز کنید تا توان مکش بهینه تأمین شود.

خدمات و مشاوره با مشتریان

دفتر خدمات پس از فروش به سؤالات شما در باره تعمیرات، سرویس و همچنین قطعات یدکی و متعلقات پاسخ خواهد داد. نقشه‌های سه بعدی و اطلاعات در مورد قطعات یدکی را در تارنمای زیر میباید: www.bosch-pt.com

تیم مشاوره کاربری Bosch به سؤالات شما در مورد محصولات ما و متعلقات آنها پاسخ می دهد.

برای هرگونه سؤال و یا سفارش ابزار یدکی و متعلقات، حتماً شماره فنی ده رقمی کالا را مطابق برچسب روی ابزار برقی اطلاع دهید.

ایران

روبرت بوش ایران - شرکت بوش تجارت پارس
میدان ونک، خیابان شهید خدای، خیابان آفتاب
ساختمان مادران، شماره 3، طبقه سوم.

تهران 1994834571

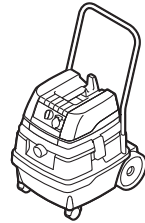
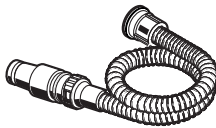
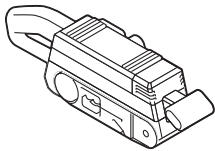
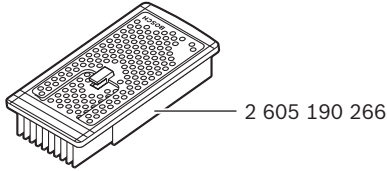
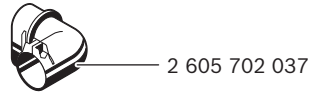
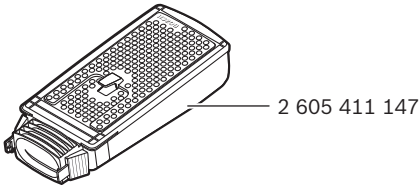
تلفن: 9821+ 42039000

از رده خارج کردن دستگاه

ابزار برقی، متعلقات و بسته بندی آن، باید طبق مقررات حفظ محیط زیست از رده خارج و بازیافت شوند.

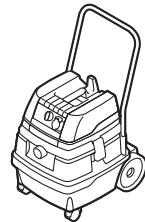
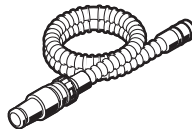
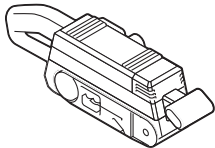
ابزارهای برقی را داخل زباله دان خانگی نیاندازید!





GAS 25
GAS 50
GAS 50 M

Ø 19 mm
3 m 2 607 002 161
5 m 2 607 002 162



GAS 25
GAS 50
GAS 50 M

Ø 19 mm
3 m 2 600 793 009
5 m 1 610 793 002

1 609 200 933