

## **MANUAL 01-00035**

**01-00041-002** Patent Pending European Patent Application No. EP16200076.4

Protected design within EU – RCD No. 003477090-0001/0002

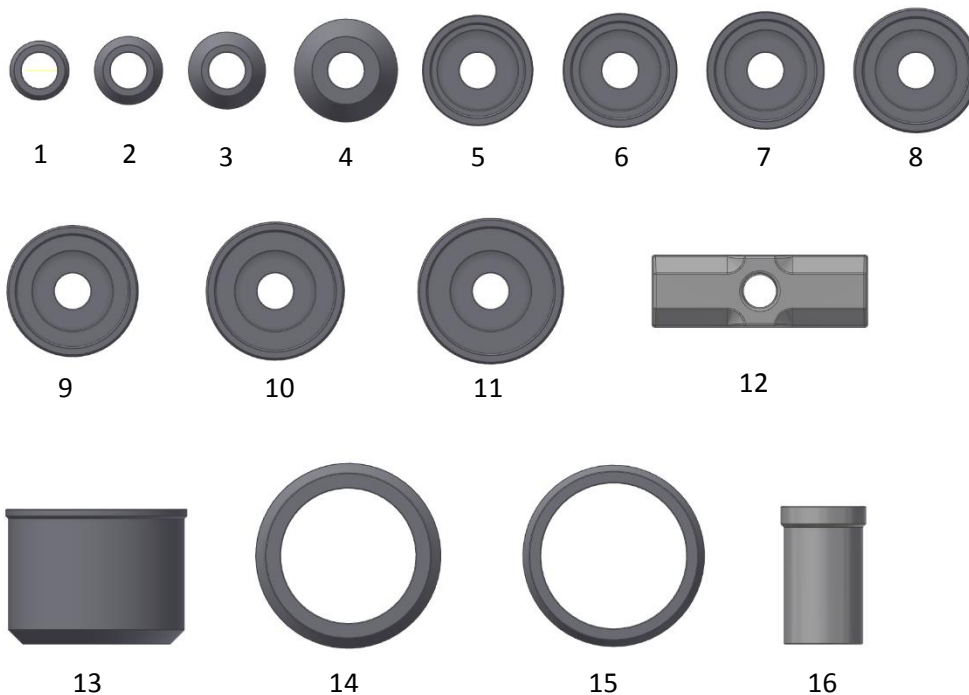
US Design Patent Pending – Patent Application No. 29/604 325

**01-00030** Patent Pending - European Patent Application No. EP15189415.1

Patent pending - US Patent Application No. 15/290,852

# WALLMEK i Kungälv AB – Special tools for auto repairs

www.wallmek.se • info@wallmek.se • Tel. +46(0)303 58580 • Bultgatan 18 442 40 Kungälv, Sweden



## 01-00035

1. 01-00035-001 Ø 33,8mm
2. 01-00035-002 Ø 38,8mm
3. 01-00035-003 Ø 43,8mm
4. 01-00035-004 Ø 59,8mm
5. 01-00035-010 Ø 61,8-62,8mm
6. 01-00035-011 Ø 63,8-64,8mm
7. 01-00035-012 Ø 65,8-66,8mm
8. 01-00035-013 Ø 68,8-70,8mm
9. 01-00035-014 Ø 72,5-74,5mm
10. 01-00035-015 Ø 76,5-78,5mm
11. 01-00035-016 Ø 80,8-82,8mm
12. 1090-20-M
13. 01-00035-020 Ø 93mm
14. 01-00035-021 Ø 76,5mm
15. 01-00035-022 Ø 82,5mm
16. 01-00035-030

Används med / to be used  
with / wird benutzt mit /  
utilize avec:

Cylinder ≤22 T

1090-02  
01-00030

01-00037  
01-0018  
1090-22  
1090-26

01-00036  
1090-27

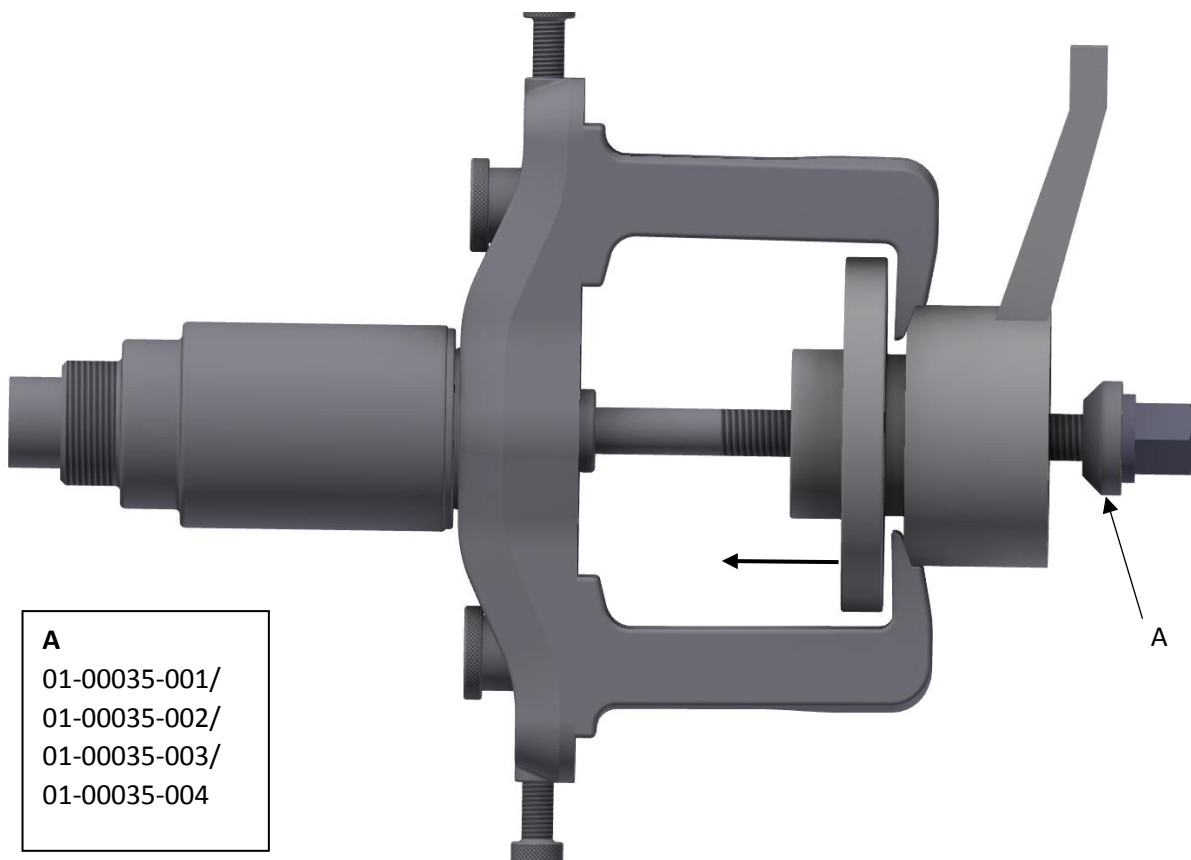
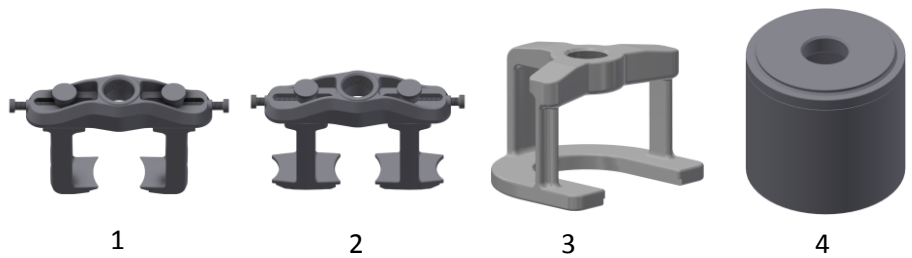
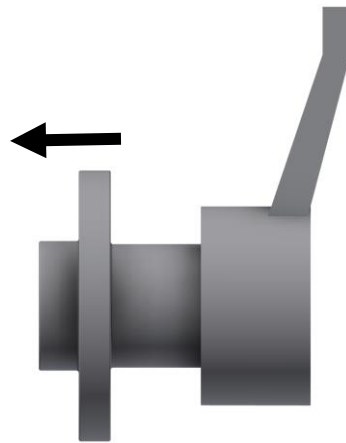


# WALLMEK i Kungälv AB – Special tools for auto repairs

www.wallmek.se • info@wallmek.se • Tel. +46(0)303 58580 • Bultgatan 18 442 40 Kungälv, Sweden

Används med /  
to be used with /  
wird benutzt mit  
/ utilize avec:

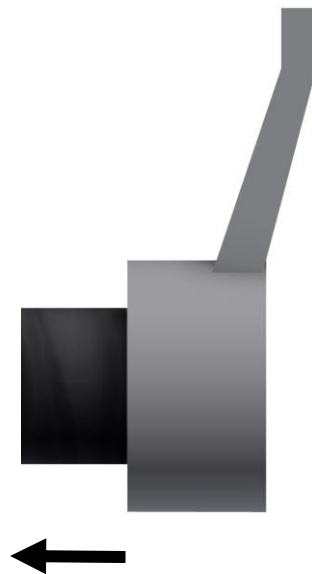
1. 01-00037
2. 01-00018
3. 1090-22
4. 1090-26



- A**
- 01-00035-001/
  - 01-00035-002/
  - 01-00035-003/
  - 01-00035-004

# WALLMEK i Kungälv AB – Special tools for auto repairs

www.wallmek.se • info@wallmek.se • Tel. +46(0)303 58580 • Bultgatan 18 442 40 Kungälv, Sweden



## A

01-00035-020

/

01-00035-020

01-00025-021

/

01-00035-020

01-00025-022

## B

01-00035-004/

01-00035-010/

01-00035-011/

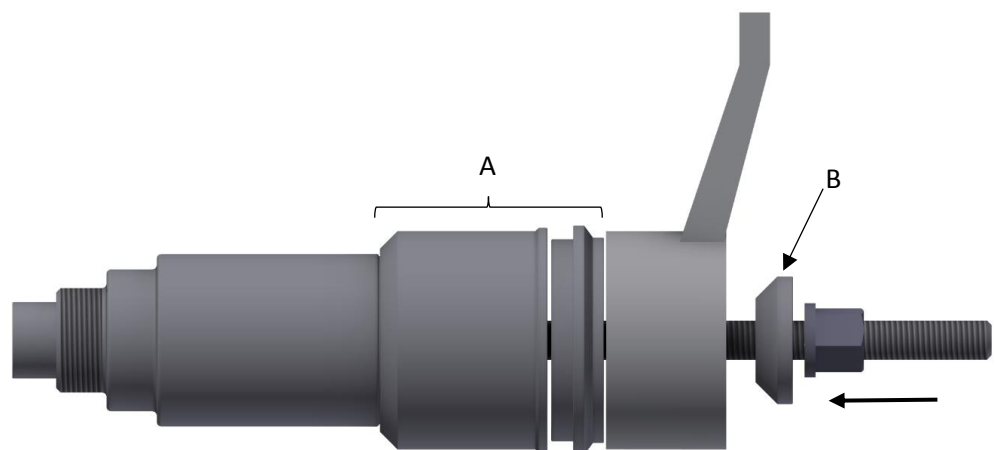
01-00035-012/

01-00035-013/

01-00035-014/

01-00035-015/

01-00035-016



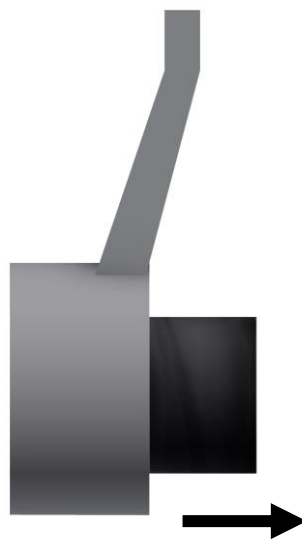
# WALLMEK i Kungälv AB – Special tools for auto repairs

www.wallmek.se • info@wallmek.se • Tel. +46(0)303 58580 • Bultgatan 18 442 40 Kungälv, Sweden

Används med /  
to be used with /  
wird benutzt mit  
/ utilize avec:

1. 01-00036/

2. 1090-27



1

2

**A**

01-00035-030

**B**

01-00035-004/

01-00035-010/

01-00035-011/

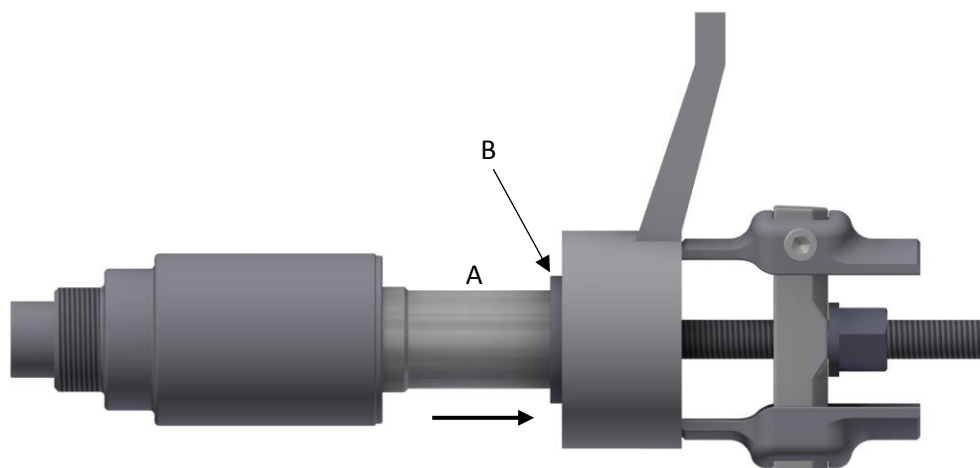
01-00035-012/

01-00035-013/

01-00035-014/

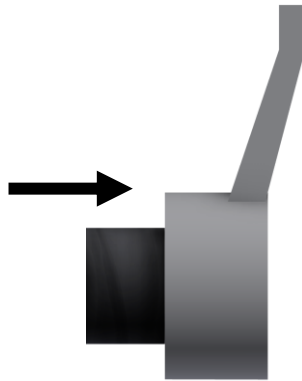
01-00035-015/

01-00035-016



# WALLMEK i Kungälv AB – Special tools for auto repairs

www.wallmek.se • info@wallmek.se • Tel. +46(0)303 58580 • Bultgatan 18 442 40 Kungälv, Sweden



## A

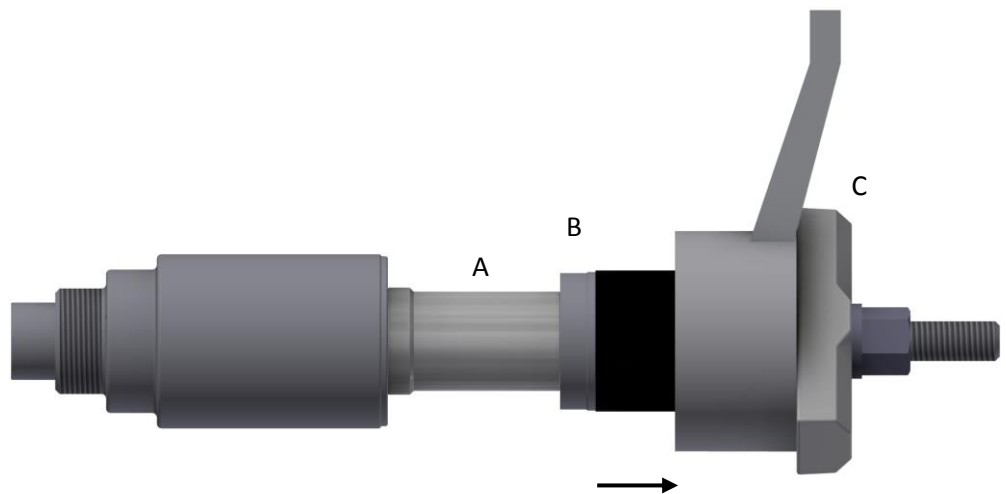
01-00035-030

## B

01-00035-010/  
01-00035-011/  
01-00035-012/  
01-00035-013/  
01-00035-014/  
01-00035-015/  
01-00035-016

## C

1090-20-M/  
01-00035-013/  
01-00035-014/  
01-00035-015/  
01-00035-016

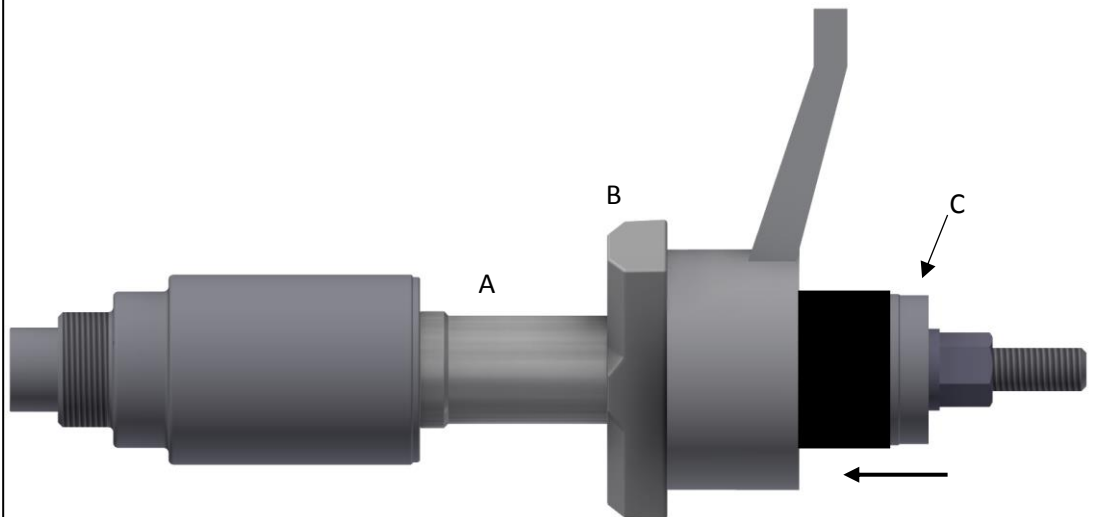


# WALLMEK i Kungälv AB – Special tools for auto repairs

www.wallmek.se • info@wallmek.se • Tel. +46(0)303 58580 • Bultgatan 18 442 40 Kungälv, Sweden

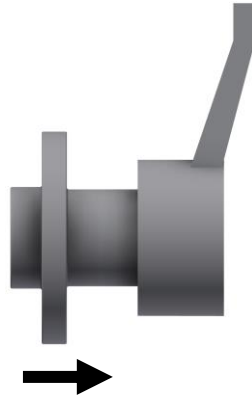


- A**  
01-00035-030
  
- B**  
1090-20-M/  
01-00035-013/  
01-00035-014/  
01-00035-015/  
01-00035-016
  
- C**  
01-00035-010/  
01-00035-011/  
01-00035-012/  
01-00035-013/  
01-00035-014/  
01-00035-015/  
01-00035-016



# WALLMEK i Kungälv AB – Special tools for auto repairs

www.wallmek.se • info@wallmek.se • Tel. +46(0)303 58580 • Bultgatan 18 442 40 Kungälv, Sweden



## A

01-00035-030

## B

01-00035-010/  
01-00035-011/  
01-00035-012/  
01-00035-013/  
01-00035-014/  
01-00035-015/  
01-00035-016

## C

01-00035-004/  
01-00035-010/  
01-00035-011/  
01-00035-012/  
01-00035-013

